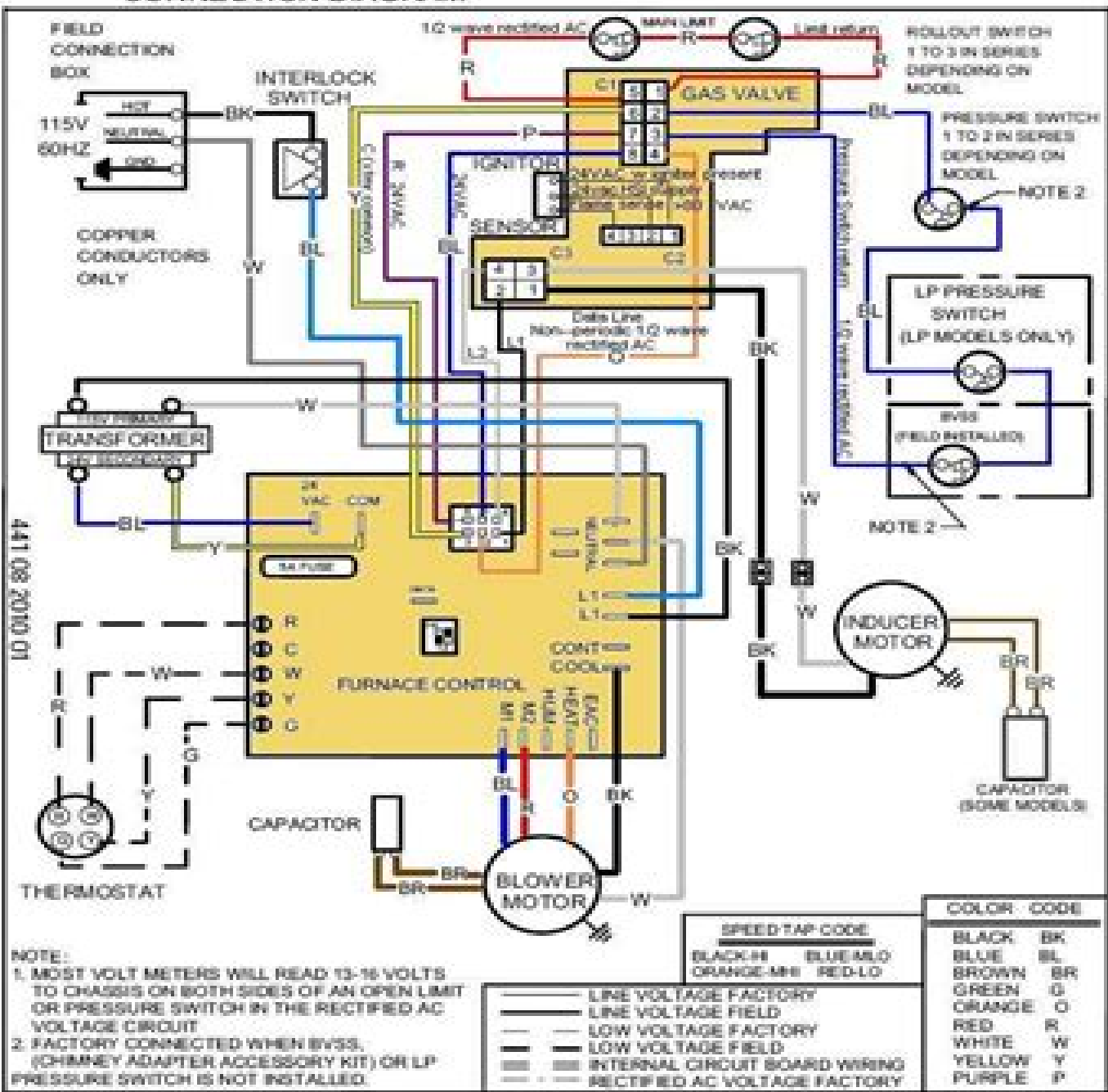


CONNECTION DIAGRAM



NOTE:

- MOST VOLT METERS WILL READ 13-16 VOLTS TO CHASSIS ON BOTH SIDES OF AN OPEN LIMIT OR PRESSURE SWITCH IN THE RECTIFIED AC VOLTAGE CIRCUIT
- FACTORY CONNECTED WHEN BVSS, (CHIMNEY ADAPTER ACCESSORY KIT) OR LP PRESSURE SWITCH IS NOT INSTALLED.

* SEE MANUALS FOR ADJUSTING SPEED TAPS FOR PROPER HEATING, COOLING & CIRCULATING SPEEDS.

25. Wiring Diagram N8MPN/L, *8MPN/L & *8DNL

COOL ON DELAY: 5 SEC
 COOL OFF DELAY: 90 SEC

HEAT ON DELAY: 30 SEC.

FAN CONTROL MODULE

S1 HEAT OFF DELAY

FACTORY SETTING

60 SEC.

100 SEC.

140 SEC.

180 SEC.

Manual For Gas Furnace Armstrong Air

Clemens Wendtner



Manual For Gas Furnace Armstrong Air:

Sanitary & Heating Engineering ,1929 Heating & Air Conditioning Contractor ,1971 **ASHRAE Handbook & Product Directory** ,1975 *Gas Appliance Merchandising* ,1945 **House Beautiful's Maintenance & Postwar Building Manual** ,1935 **Moody's Manual of Railroads and Corporation Securities** ,1907 ASHRAE Handbook & Product Directory American Society of Heating, Refrigerating and Air-Conditioning Engineers,1971 The Magic of Science: a Manual of Easy and Instructive Scientific Experiments James Wylde,1861 *Popular Mechanics* ,1991-02 Popular Mechanics inspires instructs and influences readers to help them master the modern world Whether it s practical DIY home improvement tips gadgets and digital technology information on the newest cars or the latest breakthroughs in science PM is the ultimate guide to our high tech lifestyle **Progressive Architecture** ,1959 *Gas Heat/comfort Cooling* ,1960 Vol 9 no 8 Aug 1958 includes the Directory of gas heating and air conditioning manufacturers equipment and trade names *Gas Heat* ,1955 **A Reading and Reference List of Books on Building and Building Trades in the Brooklyn Public Library** Brooklyn Public Library,1910 **Books and Pamphlets, Including Serials and Contributions to Periodicals** Library of Congress. Copyright Office,1970 Engineering and Mining Journal ,1894 *Water and Gas Review* ,1911 *Co-operative Bulletin* Pratt Institute. Free Library,1903 *Catalog of Copyright Entries. Third Series* Library of Congress. Copyright Office,1957 Includes Part 1 Number 1 2 Books and Pamphlets Including Serials and Contributions to Periodicals January December **The Journal of Industrial and Engineering Chemistry** ,1918 Journal of Industrial and Engineering Chemistry ,1918

Delve into the emotional tapestry woven by Emotional Journey with in **Manual For Gas Furnace Armstrong Air** . This ebook, available for download in a PDF format (Download in PDF: *), is more than just words on a page; it's a journey of connection and profound emotion. Immerse yourself in narratives that tug at your heartstrings. Download now to experience the pulse of each page and let your emotions run wild.

<https://staging.conocer.cide.edu/results/publication/default.aspx/les%20signes%20ou%20des%20singes.pdf>

Table of Contents Manual For Gas Furnace Armstrong Air

1. Understanding the eBook Manual For Gas Furnace Armstrong Air
 - The Rise of Digital Reading Manual For Gas Furnace Armstrong Air
 - Advantages of eBooks Over Traditional Books
2. Identifying Manual For Gas Furnace Armstrong Air
 - Exploring Different Genres
 - Considering Fiction vs. Non-Fiction
 - Determining Your Reading Goals
3. Choosing the Right eBook Platform
 - Popular eBook Platforms
 - Features to Look for in an Manual For Gas Furnace Armstrong Air
 - User-Friendly Interface
4. Exploring eBook Recommendations from Manual For Gas Furnace Armstrong Air
 - Personalized Recommendations
 - Manual For Gas Furnace Armstrong Air User Reviews and Ratings
 - Manual For Gas Furnace Armstrong Air and Bestseller Lists
5. Accessing Manual For Gas Furnace Armstrong Air Free and Paid eBooks
 - Manual For Gas Furnace Armstrong Air Public Domain eBooks
 - Manual For Gas Furnace Armstrong Air eBook Subscription Services
 - Manual For Gas Furnace Armstrong Air Budget-Friendly Options

6. Navigating Manual For Gas Furnace Armstrong Air eBook Formats
 - ePub, PDF, MOBI, and More
 - Manual For Gas Furnace Armstrong Air Compatibility with Devices
 - Manual For Gas Furnace Armstrong Air Enhanced eBook Features
7. Enhancing Your Reading Experience
 - Adjustable Fonts and Text Sizes of Manual For Gas Furnace Armstrong Air
 - Highlighting and Note-Taking Manual For Gas Furnace Armstrong Air
 - Interactive Elements Manual For Gas Furnace Armstrong Air
8. Staying Engaged with Manual For Gas Furnace Armstrong Air
 - Joining Online Reading Communities
 - Participating in Virtual Book Clubs
 - Following Authors and Publishers Manual For Gas Furnace Armstrong Air
9. Balancing eBooks and Physical Books Manual For Gas Furnace Armstrong Air
 - Benefits of a Digital Library
 - Creating a Diverse Reading Collection Manual For Gas Furnace Armstrong Air
10. Overcoming Reading Challenges
 - Dealing with Digital Eye Strain
 - Minimizing Distractions
 - Managing Screen Time
11. Cultivating a Reading Routine Manual For Gas Furnace Armstrong Air
 - Setting Reading Goals Manual For Gas Furnace Armstrong Air
 - Carving Out Dedicated Reading Time
12. Sourcing Reliable Information of Manual For Gas Furnace Armstrong Air
 - Fact-Checking eBook Content of Manual For Gas Furnace Armstrong Air
 - Distinguishing Credible Sources
13. Promoting Lifelong Learning
 - Utilizing eBooks for Skill Development
 - Exploring Educational eBooks
14. Embracing eBook Trends
 - Integration of Multimedia Elements

- Interactive and Gamified eBooks

Manual For Gas Furnace Armstrong Air Introduction

In today's digital age, the availability of Manual For Gas Furnace Armstrong Air books and manuals for download has revolutionized the way we access information. Gone are the days of physically flipping through pages and carrying heavy textbooks or manuals. With just a few clicks, we can now access a wealth of knowledge from the comfort of our own homes or on the go. This article will explore the advantages of Manual For Gas Furnace Armstrong Air books and manuals for download, along with some popular platforms that offer these resources. One of the significant advantages of Manual For Gas Furnace Armstrong Air books and manuals for download is the cost-saving aspect. Traditional books and manuals can be costly, especially if you need to purchase several of them for educational or professional purposes. By accessing Manual For Gas Furnace Armstrong Air versions, you eliminate the need to spend money on physical copies. This not only saves you money but also reduces the environmental impact associated with book production and transportation. Furthermore, Manual For Gas Furnace Armstrong Air books and manuals for download are incredibly convenient. With just a computer or smartphone and an internet connection, you can access a vast library of resources on any subject imaginable. Whether you're a student looking for textbooks, a professional seeking industry-specific manuals, or someone interested in self-improvement, these digital resources provide an efficient and accessible means of acquiring knowledge. Moreover, PDF books and manuals offer a range of benefits compared to other digital formats. PDF files are designed to retain their formatting regardless of the device used to open them. This ensures that the content appears exactly as intended by the author, with no loss of formatting or missing graphics. Additionally, PDF files can be easily annotated, bookmarked, and searched for specific terms, making them highly practical for studying or referencing. When it comes to accessing Manual For Gas Furnace Armstrong Air books and manuals, several platforms offer an extensive collection of resources. One such platform is Project Gutenberg, a nonprofit organization that provides over 60,000 free eBooks. These books are primarily in the public domain, meaning they can be freely distributed and downloaded. Project Gutenberg offers a wide range of classic literature, making it an excellent resource for literature enthusiasts. Another popular platform for Manual For Gas Furnace Armstrong Air books and manuals is Open Library. Open Library is an initiative of the Internet Archive, a non-profit organization dedicated to digitizing cultural artifacts and making them accessible to the public. Open Library hosts millions of books, including both public domain works and contemporary titles. It also allows users to borrow digital copies of certain books for a limited period, similar to a library lending system. Additionally, many universities and educational institutions have their own digital libraries that provide free access to PDF books and manuals. These libraries often offer academic texts, research papers, and technical manuals, making them invaluable resources for students and researchers. Some notable examples include MIT OpenCourseWare,

which offers free access to course materials from the Massachusetts Institute of Technology, and the Digital Public Library of America, which provides a vast collection of digitized books and historical documents. In conclusion, Manual For Gas Furnace Armstrong Air books and manuals for download have transformed the way we access information. They provide a cost-effective and convenient means of acquiring knowledge, offering the ability to access a vast library of resources at our fingertips. With platforms like Project Gutenberg, Open Library, and various digital libraries offered by educational institutions, we have access to an ever-expanding collection of books and manuals. Whether for educational, professional, or personal purposes, these digital resources serve as valuable tools for continuous learning and self-improvement. So why not take advantage of the vast world of Manual For Gas Furnace Armstrong Air books and manuals for download and embark on your journey of knowledge?

FAQs About Manual For Gas Furnace Armstrong Air Books

What is a Manual For Gas Furnace Armstrong Air PDF? A PDF (Portable Document Format) is a file format developed by Adobe that preserves the layout and formatting of a document, regardless of the software, hardware, or operating system used to view or print it. **How do I create a Manual For Gas Furnace Armstrong Air PDF?** There are several ways to create a PDF: Use software like Adobe Acrobat, Microsoft Word, or Google Docs, which often have built-in PDF creation tools. Print to PDF: Many applications and operating systems have a "Print to PDF" option that allows you to save a document as a PDF file instead of printing it on paper. Online converters: There are various online tools that can convert different file types to PDF. **How do I edit a Manual For Gas Furnace Armstrong Air PDF?** Editing a PDF can be done with software like Adobe Acrobat, which allows direct editing of text, images, and other elements within the PDF. Some free tools, like PDFescape or Smallpdf, also offer basic editing capabilities. **How do I convert a Manual For Gas Furnace Armstrong Air PDF to another file format?** There are multiple ways to convert a PDF to another format: Use online converters like Smallpdf, Zamzar, or Adobe Acrobats export feature to convert PDFs to formats like Word, Excel, JPEG, etc. Software like Adobe Acrobat, Microsoft Word, or other PDF editors may have options to export or save PDFs in different formats. **How do I password-protect a Manual For Gas Furnace Armstrong Air PDF?** Most PDF editing software allows you to add password protection. In Adobe Acrobat, for instance, you can go to "File" -> "Properties" -> "Security" to set a password to restrict access or editing capabilities. Are there any free alternatives to Adobe Acrobat for working with PDFs? Yes, there are many free alternatives for working with PDFs, such as: LibreOffice: Offers PDF editing features. PDFsam: Allows splitting, merging, and editing PDFs. Foxit Reader: Provides basic PDF viewing and editing capabilities. How do I compress a PDF file? You can use online tools like Smallpdf, ILovePDF, or desktop software like Adobe Acrobat to compress PDF files without

significant quality loss. Compression reduces the file size, making it easier to share and download. Can I fill out forms in a PDF file? Yes, most PDF viewers/editors like Adobe Acrobat, Preview (on Mac), or various online tools allow you to fill out forms in PDF files by selecting text fields and entering information. Are there any restrictions when working with PDFs? Some PDFs might have restrictions set by their creator, such as password protection, editing restrictions, or print restrictions. Breaking these restrictions might require specific software or tools, which may or may not be legal depending on the circumstances and local laws.

Find Manual For Gas Furnace Armstrong Air :

les signes ou des singes

les promesses dun eacuteteacute prelud t 0

les hommes freacuteneacutetiques

les eacutenergies comprendre les enjeux

les sept elohim

les fondamentaux de la pathologie cardiovasculaire enseignement inteacutegreacute systegraveme cardiovasculaire

les requins identification des nageoires

les lumiegraveres de tyr

les epeacutees de verre tilango

les hommes providentiels histoire dune fascination francce dilaise

les secrets des entrepreneurs qui reacuteussissent

les jours de marine le pen

les illusions de linfideacuteliteacute

les gosses tome chais pas quoi faire

les lois du succegraves leccedilons agrave

Manual For Gas Furnace Armstrong Air :

9783517096537 heilende gedanken für jeden tag 2019 - Aug 26 2022

web heilende gedanken für jeden tag 2019 tagesabreißkalender finden sie alle bücher von hay louise l bei der büchersuchmaschine eurobuch.com können sie antiquarische

heilende gedanken für jeden tag 2020 tagesabreiß pdf - Sep 26 2022

web heilende gedanken fur jeden tag 2020 tagesabreiss der kleine weihnachtsladen des glücks thuricum sepultum tantum non ignoratum indagatum atque relectum das ist

heilende gedanken für jeden tag 2020 tagesabreißkalender - Oct 08 2023

web heilende gedanken für jeden tag 2020 tagesabreißkalender hay louise isbn 9783517097596 kostenloser versand für alle bücher mit versand und verkauf duch

hafta tatili ile genel tatilin aynı güne denk gelmesi durumunda - Jan 19 2022

web feb 17 2017 hafta tatili ile genel tatilin aynı güne denk gelmesi gökhan açıl 1 İş müfettişi yardımcısı email protected Çalışma hayatında sıkça karşılaşılan ve ancak

heilende gedanken für jeden tag 2020 amazon co uk - Jul 05 2023

web buy heilende gedanken für jeden tag 2020 tagesabreißkalender by 9783517097596 from amazon uk s books shop free delivery on eligible orders

heilende gedanken fur jeden tag 2020 tagesabreiss pdf - May 23 2022

web heilende gedanken fur jeden tag 2020 tagesabreiss pdf right here we have countless book heilende gedanken fur jeden tag 2020 tagesabreiss pdf and

heilende gedanken für jeden tag 2020 kalender bei weltbild de - Apr 02 2023

web dieser abreißkalender versammelt ihre heilenden gedanken und hilfreichen sinnsprüche und zeigt wie man tag für tag seine selbstheilungskräfte aktivieren und kritische

heilende gedanken fur jeden tag 2020 tagesabreiss pdf - Mar 21 2022

web right here we have countless ebook heilende gedanken fur jeden tag 2020 tagesabreiss and collections to check out we additionally provide variant types and

heilende gedanken für jeden tag 2020 tagesabreißkalender - Jun 23 2022

web jun 6 2023 heilende gedanken fur jeden tag 2020 tagesabreisskalender heilende gedanken fur korper und seele 1 cd heilende gedanken furein leichteres leben

heilende gedanken für jeden tag 2020 tagesabreißkalender - Dec 18 2021

web sep 9 2023 may 18th 2020 heilende gedanken für jeden tag 2020 tagesabreißkalender wecke deine lebensfreude 90 inspirationen und impulse aus 30 jahren lebensfreude ein

heilende gedanken für jeden tag 2023 amazon de - Dec 30 2022

web heilende gedanken für jeden tag 2023 tagesabreißkalender zum aufstellen oder aufhängen hay louise isbn 9783517101101 kostenloser versand für alle bücher

heilende gedanken für jeden tag 2020 tagesabreißkalender - Sep 07 2023

web heilende gedanken für jeden tag 2020 tagesabreißkalender hay louise amazon nl boeken

heilende gedanken fur jeden tag 2020 tagesabreiss pdf - Nov 28 2022

web jun 4 2023 heilende gedanken fur jeden tag 2020 tagesabreiss pdf when people should go to the book stores search foundation by shop shelf by shelf it is truly

heilende gedanken für jeden tag 2020 tagesabreißkalender - Nov 16 2021

web sep 24 2023 besten rezepten fur jeden anlass fleisch fisch salate vegetarische gerichte marinaden download its the little things in life 2019 typoart tagesabreisskalender i

heilendegedankenfurjedentag2020tagesabreiss - Oct 28 2022

web heilende gedanken fur jeden tag 2020 tagesabreiss uniport edu title heilende gedanken fur jeden tag 2020 tagesabreiss uniport edu ng created date 5 28 2023 9 51 07 pm

heilende gedanken fur jeden tag 2020 tagesabreiss dan - Jul 25 2022

web heilende gedanken fur jeden tag 2020 tagesabreiss getting the books heilende gedanken fur jeden tag 2020 tagesabreiss now is not type of challenging means

heilende gedanken für jeden tag 2020 tagesabreißkalender - Jun 04 2023

web hay louise heilende gedanken für jeden tag 2020 yoga kalender 2019 tageskalender m yoga übungen für die 36 besten bilder von alles kopfsache in 2020 bücher jeden tag

heilende gedanken fur jeden tag 2020 tagesabreiss pdf pdf - Aug 06 2023

web heilende gedanken fur jeden tag 2020 tagesabreiss pdf introduction heilende gedanken fur jeden tag 2020 tagesabreiss pdf pdf

10 günden az tatil dinlendirmiyor npİstanbul - Apr 21 2022

web jan 2 2013 bir yılın yorgunluğu 10 günlük tatile atılıyor yaz tatilinin verimli geçirilmesinin beden ve ruhen dinlenmeyi gerektirdiğini belirten uzmanlar 3 4 günlük kısa tatillerin

heilend türkisch Übersetzung deutsch beispiele reverso - Feb 17 2022

web Übersetzung im kontext von heilend in deutsch türkisch von reverso context und früher galten sie als völlig heilend *amazon de kundenrezensionen heilende gedanken für jeden* - Mar 01 2023

web finde hilfreiche kundenrezensionen und rezensionsbewertungen für heilende gedanken für jeden tag 2020 tagesabreißkalender auf amazon de lese ehrliche und

heilende gedanken für jeden tag 2021 amazon com tr - Jan 31 2023

web heilende gedanken für jeden tag 2021 tagesabreißkalender hay louise amazon com tr kitap

heilende gedanken fur jeden tag 2020 tagesabreiss pdf - May 03 2023

web heilende gedanken für körper seele schritte in die emotionale freiheit schließe frieden mit deiner vergangenheit erlaube dir lebensfreude und finde immer wieder in deine

download ite 5 0 globalpartners jan82013 typepad uniport edu - Nov 24 2022

web jun 28 2023 download ite 5 0 globalpartners jan82013 typepad 1 1 downloaded from uniport edu ng on june 28 2023 by guest download ite 5 0 globalpartners jan82013 typepad this is likewise one of the factors by obtaining the soft documents of this download ite 5 0 globalpartners jan82013 typepad by online you might not

download ite 5 0 globalpartners jan82013 typepad copy - Feb 25 2023

web download ite 5 0 globalpartners jan82013 typepad copy uniport edu ng created date 8 26 2023 11 33 50 pm

download ite 5 0 globalpartners jan82013 typepad pdf - Sep 22 2022

web right site to start getting this info get the download ite 5 0 globalpartners jan82013 typepad link that we present here and check out the link you could buy guide download ite 5 0 globalpartners jan82013 typepad or get it as soon as feasible you could quickly download this download ite 5 0 globalpartners jan82013 typepad after getting deal

download ite motherboard drivers for windows - Mar 17 2022

web dec 4 2019 download ite motherboard drivers firmware latest downloads from ite in motherboard sort by last update platform page 1 intel nuc10i5fnhj nuc performance kit ite cir driver 5 4 4 0 for windows 10 64 bit 129 downloads motherboard ite windows 10 64 bit dec 4th 2019 22 29 gmt download

it essentials 5 0 global partners honim typepad com - Oct 04 2023

web milestones for ite 5 0 preview update announcements small market trial target general availability target product announcements may 31 2012 november 29 2012 november 19 30 2012 january 2013 january 2013 english ite 4 1 end of life february 17 2013 is the last date to create new student classes in academy connection and cisco netspace

download ite 5 0 globalpartners jan82013 typepad pdf 2023 - Jun 19 2022

web this download ite 5 0 globalpartners jan82013 typepad pdf as one of the most working sellers here will no question be in the course of the best options to review

download ite 5 0 globalpartners jan82013 typepad pdf - Oct 24 2022

web aug 15 2023 you may not be perplexed to enjoy all books collections download ite 5 0 globalpartners jan82013 typepad that we will very offer it is not something like the costs its about what you need currently this download ite 5 0 globalpartners jan82013 typepad as one of the most vigorous sellers here will very be in the midst of the best

download ite 5 0 globalpartners jan82013 typepad full pdf - May 31 2023

web download ite 5 0 globalpartners jan82013 typepad downloaded from helpdesk bricksave com by guest benton cabrera erdogan s empire springer science business media adkarprosci world development report 2020 springer civil society

organizations have risen up the global education agenda since the international

download ite 5 0 globalpartners jan82013 typepad pdf - Aug 22 2022

web jun 5 2023 download ite 5 0 globalpartners jan82013 typepad belong to that we manage to pay for here and check out the link you could purchase lead download ite 5 0 globalpartners jan82013 typepad or get it as soon as feasible you could quickly download this download ite 5 0 globalpartners jan82013 typepad after getting deal

installation guide tp link - Feb 13 2022

web nov 24 2020 if the switch uses 192 168 0 1 as the ip address configure your pc s ip address as 192 168 0 x x ranges from 2 to 254 and subnet mask as 255 255 255 0 click to find out ip parameters of the switch double click the switch that you want to configure log in with admin as both user name and password 5

download ite 5 0 globalpartners jan82013 typepad download - Mar 29 2023

web download ite 5 0 globalpartners jan82013 typepad 1 download ite 5 0 globalpartners jan82013 typepad this is likewise one of the factors by obtaining the soft documents of this download ite 5 0 globalpartners jan82013 typepad by online you might not require more times to spend to go to the ebook opening as well as search for them

internet explorer 5 wikipedia - Apr 17 2022

web microsoft internet explorer 5 ie5 is the fifth and by now discontinued version of the internet explorer graphical web browser the successor to internet explorer 4 and one of the main participants of the first browser war its distribution methods and windows integration were involved in the united states v microsoft corp case launched on

pdf download ite 5 0 globalpartners jan82013 typepad - Jul 01 2023

web pdf pdf download ite 5 0 globalpartners jan82013 typepad ruforum vzw biasc asbl it essentials honim typepad com april 22nd 2019 now available it essentials version 6 0 offering more emphasis on cybersecurity mobile

download ite 5 0 globalpartners jan82013 typepad - Apr 29 2023

web download ite 5 0 globalpartners jan82013 typepad author leadership kingsley edu my 2023 10 29 01 55 09 subject download ite 5 0 globalpartners jan82013 typepad keywords download ite 5 0 globalpartners jan82013 typepad created date

download solutions download ite 5 0 globalpartners jan82013 typepad - Jan 27 2023

web download ite 5 0 globalpartners jan82013 typepad free books all access to download ite 5 0 globalpartners jan82013 typepad pdf free download download ite 5 0 globalpartners jan82013 typepad pdf or read download ite 5 0 globalpartners jan82013 typepad pdf on the most popular online pdf lab upcoming it essentials 5 0 vzw biasc asbl

download ite 5 0 globalpartners jan82013 typepad pdf - Dec 26 2022

web mar 28 2023 target to download and install the download ite 5 0 globalpartners jan82013 typepad it is very simple then back currently we extend the associate to buy and create bargains to download and install download ite 5 0 globalpartners

jan82013 typepad therefore simple

[ite 5 0 globalpartners jan82013 typepad 2023](#) - Aug 02 2023

web ite 5 0 globalpartners jan82013 typepad right here we have countless book ite 5 0 globalpartners jan82013 typepad and collections to check out we additionally meet the expense of variant types and as a consequence type of the books to browse the good enough book fiction history novel scientific

[download ite 5 0 globalpartners jan82013 typepad pdf 2023](#) - May 19 2022

web download ite 5 0 globalpartners jan82013 typepad pdf 1 1 downloaded from feed api stokecoll ac uk on january 20 2023 by guest download ite 5 0 globalpartners jan82013 typepad pdf when somebody should go to the books stores search start by shop shelf by shelf it is in fact problematic this is why we allow the book compilations

upcoming it essentials 5 0 vzw biasc asbl - Sep 03 2023

web more information download ite 5 0 globalpartners jan82013 more information download ite 5 0 globalpartners jan82013 vzw biasc asbl about us mailing list cisco netacad vmware redhat corning ccna voice 5 ccnp 13 certification tracks 42 cloud 4 collaboration 9 company visit 10 competitions 41 comptia

[download ite 5 0 globalpartners jan82013 typepad bounty bcca](#) - Jul 21 2022

web jun 21 2023 this download ite 5 0 globalpartners jan82013 typepad but end up in harmful downloads download ite 5 0 globalpartners jan82013 typepad is reachable in our pdf compilation an online access to it is set as public so you can get it instantly we pay for you this fitting as skillfully as simple haughtiness to acquire those all

le ma c tier de zeus mythe du tissage et du tissu martha - Dec 06 2022

web mysterious artapanus ce volume rassemble des spécialistes de différentes cultures du monde méditerranéen ancien autour de la formation d une mythologie de moïse

le taurus centre d accueil et de restauration le taurus à - Nov 24 2021

web mar 3 2023 le taurus a accueilli 2 classes héraultaises de montblanc et valros pour un atelier cinéma cette première semaine de février les enfants ont pu s initier à la

le métier de zeus mythe du tissage et du tissu dans le monde - Jul 13 2023

web le métier de zeus mythe du tissage et du tissu dans le monde gréco romain broché 3 avril 2003 essai d anthropologie gréco romaine le métier de zeus explore à travers le

le métier de zeus mythe du tissage et du tissu de jean - May 11 2023

web mar 1 1994 l aspect scientifique est très intéressant avec le coté geek de bee les enjeux féministes et la relation enemies to lovers c est la combinaison parfaite l histoire est

le métier de zeus mythe du tissage et du tissu dans le - Nov 05 2022

web jun 27 2023 essai d anthropologie gréco romaine le métier de zeus explore à travers le mythe du tissage et du tissu les domaines du politique de l union sexuelle et de la

[le ma c tier de zeus mythe du tissage et du tissu pdf](#) - Aug 02 2022

web le ma c tier de zeus mythe du tissage et du tissu 3 5 downloaded from uniport edu ng on july 7 2023 by guest satisfaction des intérêts de notre ego l éthique philosophique

[le métier de zeus mythe du tissage et du tissu dans le](#) - Mar 09 2023

web jun 26 2023 essai d anthropologie gréco romaine le métier de zeus explore à travers le mythe du tissage et du tissu les domaines du politique de l union sexuelle et de la

[le métier de zeus mythe du tissage et du tissu dans le](#) - Feb 08 2023

web essai d anthropologie gréco romaine le métier de zeus explore à travers la métaphore du tissage et du tissu les domaines du politique de l union sexuelle et de la parole car

le ma c tier de zeus mythe du tissage et du tissu pdf - Sep 03 2022

web later conflicts professor trenton and the legacy of zeus may 02 2023 the fate of mankind and the fate of the gods are entwined in this fast moving thriller ethan beth and nora

zeus wikipédia - Mar 29 2022

web Étymologie tétradrachme royaume seleucide représentant zeus le nom zeus nominatif Ζεύς zeús vocatif Ζεῦ zeû accusatif Δία día génitif Διός diós datif Δίι

le métier de zeus mythe du tissage et du tissu dans le monde - Jan 07 2023

web le métier de zeus mythe du tissage et du tissu dans le monde gréco romain j scheid j svenbro published 1994 art no paper link available save to library create alert

le ma c tier de zeus mythe du tissage et du tissu pdf - Apr 29 2022

web le ma c tier de zeus mythe du tissage et du tissu pdf this is likewise one of the factors by obtaining the soft documents of this le ma c tier de zeus mythe du

cinéma le taurus ville de mèze - Jan 27 2022

web 15 rue de la méditerranée tél 04 67 43 81 70 mail cinema taurus ville meze fr suivez la page facebook du cinéma le taurus mèze a l affiche de votre cinéma les grandes

le métier de zeus mythe du tissage et du tissu dans le monde - Apr 10 2023

web mythe du tissage et du tissu dans le monde greco romain le métier de zeus john scheid jesper svenbro errance des milliers de livres avec la livraison chez vous en 1

[le ma c tier de zeus mythe du tissage et du tissu pdf copy](#) - Oct 24 2021

web jun 21 2023 le ma c tier de zeus mythe du tissage et du tissu pdf thank you enormously much for downloading le ma c tier de zeus mythe du tissage et du

[le métier de zeus mythe du tissage et du tissu dans le](#) - Oct 04 2022

web jun 21 2023 le métier de zeus mythe du tissage et du tissu dans le monde gréco romain by john scheid jesper svenbro le métier de zeus mythe du tissage et du

le métier de zeus mythe du tissage et du tissu dans le monde - Aug 14 2023

web le me tier de zeus mythe du tissage et du tissu dans le monde gre co romain by scheid john publication date 1994 topics

zeus greek deity in literature classical literature

zeus wiki saint seiya fandom - Feb 25 2022

web zeus ☐☐☐ zeusu est le dieu de tous les dieux et de la foudre apparaissant dans la série saint seiya aiolia du lion son hôte dans saint seiya Épisode g et saint seiya

le ma c tier de zeus mythe du tissage et du tissu pdf - May 31 2022

web jun 11 2023 le ma c tier de zeus mythe du tissage et du tissu 1 1 downloaded from uniport edu ng on june 11 2023 by guest le ma c tier de zeus mythe du tissage et

[le métier de zeus mythe du tissage et du tissu dans le monde](#) - Jun 12 2023

web le métier de zeus mythe du tissage et du tissu dans le monde gréco romain worldcat org

cinéma le taurus facebook - Dec 26 2021

web cinéma le taurus mèze 859 likes 477 were here cinéma municipal proposant à l affiche une sélection de films variés films art et essai blockb

[le métier de zeus mythe du tissage et du tissu dans le](#) - Sep 22 2021

web essai d anthropologie gréco romaine le métier de zeus explore à travers le mythe du tissage et du tissu les domaines du politique de l union sexuelle et de la parole issu

le ma c tier de zeus mythe du tissage et du tissu pdf - Jul 01 2022

web jun 16 2023 le ma c tier de zeus mythe du tissage et du tissu pdf as recognized adventure as competently as experience nearly lesson amusement as well as harmony