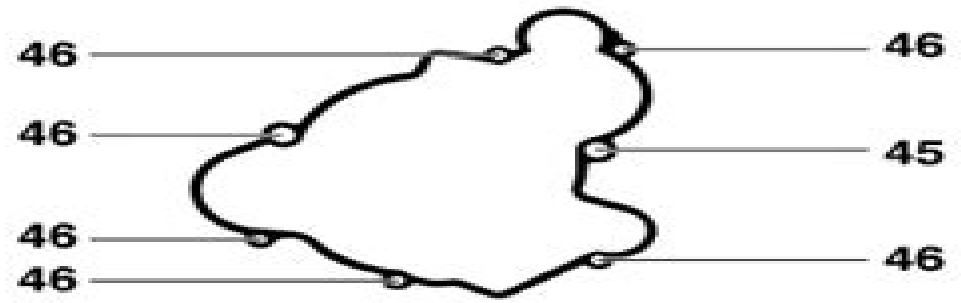
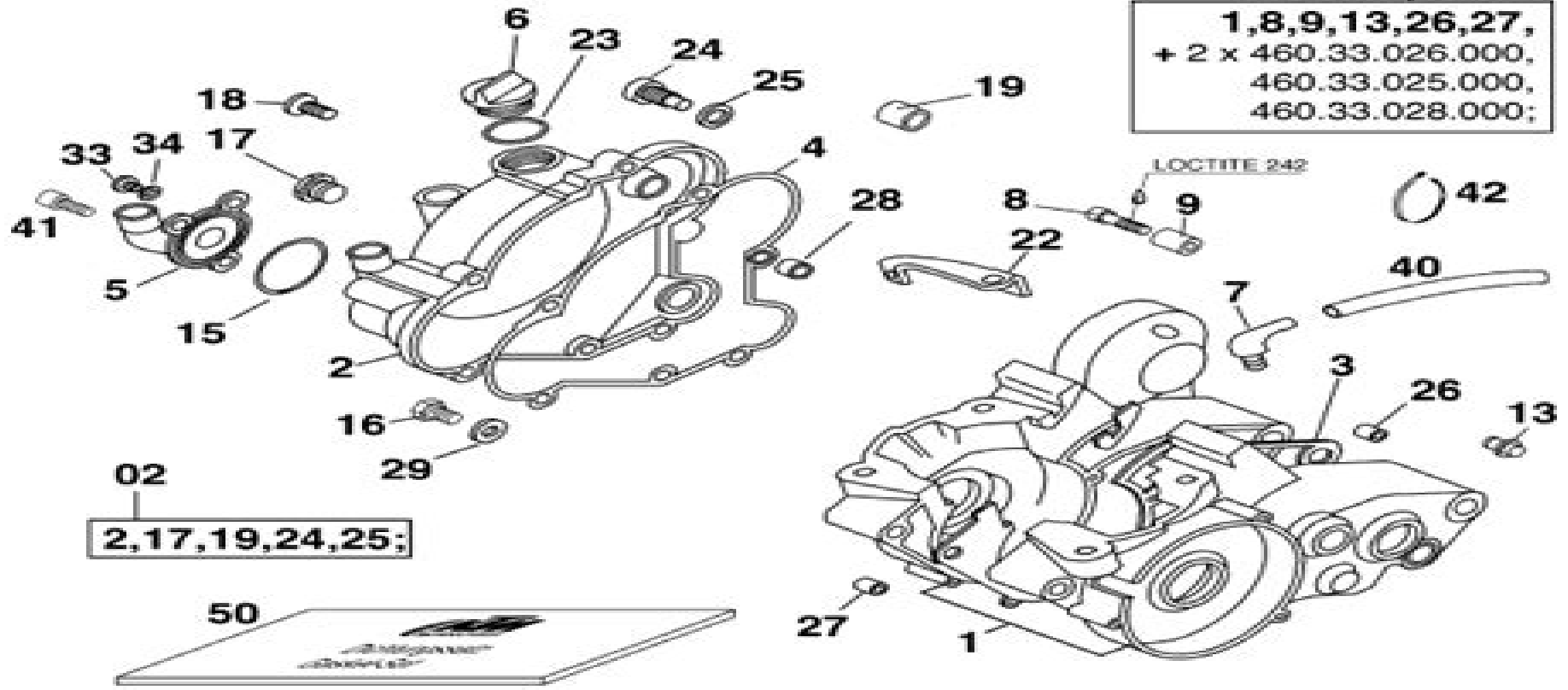


01
1,8,9,13,26,27,
 + 2 x 460.33.026.000,
 460.33.025.000,
 460.33.028.000;



Ktm 65 Sx Replacement Parts Manual 2009

S Marginson



Ktm 65 Sx Replacement Parts Manual 2009:

Uncover the mysteries within Explore with is enigmatic creation, **Ktm 65 Sx Replacement Parts Manual 2009** . This downloadable ebook, shrouded in suspense, is available in a PDF format (Download in PDF: *). Dive into a world of uncertainty and anticipation. Download now to unravel the secrets hidden within the pages.

https://staging.conocer.cide.edu/files/publication/HomePages/La_Gloria_Del_Olivo.pdf

Table of Contents Ktm 65 Sx Replacement Parts Manual 2009

1. Understanding the eBook Ktm 65 Sx Replacement Parts Manual 2009
 - The Rise of Digital Reading Ktm 65 Sx Replacement Parts Manual 2009
 - Advantages of eBooks Over Traditional Books
2. Identifying Ktm 65 Sx Replacement Parts Manual 2009
 - Exploring Different Genres
 - Considering Fiction vs. Non-Fiction
 - Determining Your Reading Goals
3. Choosing the Right eBook Platform
 - Popular eBook Platforms
 - Features to Look for in an Ktm 65 Sx Replacement Parts Manual 2009
 - User-Friendly Interface
4. Exploring eBook Recommendations from Ktm 65 Sx Replacement Parts Manual 2009
 - Personalized Recommendations
 - Ktm 65 Sx Replacement Parts Manual 2009 User Reviews and Ratings
 - Ktm 65 Sx Replacement Parts Manual 2009 and Bestseller Lists
5. Accessing Ktm 65 Sx Replacement Parts Manual 2009 Free and Paid eBooks
 - Ktm 65 Sx Replacement Parts Manual 2009 Public Domain eBooks
 - Ktm 65 Sx Replacement Parts Manual 2009 eBook Subscription Services
 - Ktm 65 Sx Replacement Parts Manual 2009 Budget-Friendly Options
6. Navigating Ktm 65 Sx Replacement Parts Manual 2009 eBook Formats

- ePub, PDF, MOBI, and More
 - Ktm 65 Sx Replacement Parts Manual 2009 Compatibility with Devices
 - Ktm 65 Sx Replacement Parts Manual 2009 Enhanced eBook Features
7. Enhancing Your Reading Experience
 - Adjustable Fonts and Text Sizes of Ktm 65 Sx Replacement Parts Manual 2009
 - Highlighting and Note-Taking Ktm 65 Sx Replacement Parts Manual 2009
 - Interactive Elements Ktm 65 Sx Replacement Parts Manual 2009
 8. Staying Engaged with Ktm 65 Sx Replacement Parts Manual 2009
 - Joining Online Reading Communities
 - Participating in Virtual Book Clubs
 - Following Authors and Publishers Ktm 65 Sx Replacement Parts Manual 2009
 9. Balancing eBooks and Physical Books Ktm 65 Sx Replacement Parts Manual 2009
 - Benefits of a Digital Library
 - Creating a Diverse Reading Collection Ktm 65 Sx Replacement Parts Manual 2009
 10. Overcoming Reading Challenges
 - Dealing with Digital Eye Strain
 - Minimizing Distractions
 - Managing Screen Time
 11. Cultivating a Reading Routine Ktm 65 Sx Replacement Parts Manual 2009
 - Setting Reading Goals Ktm 65 Sx Replacement Parts Manual 2009
 - Carving Out Dedicated Reading Time
 12. Sourcing Reliable Information of Ktm 65 Sx Replacement Parts Manual 2009
 - Fact-Checking eBook Content of Ktm 65 Sx Replacement Parts Manual 2009
 - Distinguishing Credible Sources
 13. Promoting Lifelong Learning
 - Utilizing eBooks for Skill Development
 - Exploring Educational eBooks
 14. Embracing eBook Trends
 - Integration of Multimedia Elements
 - Interactive and Gamified eBooks

Ktm 65 Sx Replacement Parts Manual 2009 Introduction

Ktm 65 Sx Replacement Parts Manual 2009 Offers over 60,000 free eBooks, including many classics that are in the public domain. Open Library: Provides access to over 1 million free eBooks, including classic literature and contemporary works. Ktm 65 Sx Replacement Parts Manual 2009 Offers a vast collection of books, some of which are available for free as PDF downloads, particularly older books in the public domain. Ktm 65 Sx Replacement Parts Manual 2009 : This website hosts a vast collection of scientific articles, books, and textbooks. While it operates in a legal gray area due to copyright issues, its a popular resource for finding various publications. Internet Archive for Ktm 65 Sx Replacement Parts Manual 2009 : Has an extensive collection of digital content, including books, articles, videos, and more. It has a massive library of free downloadable books. Free-eBooks Ktm 65 Sx Replacement Parts Manual 2009 Offers a diverse range of free eBooks across various genres. Ktm 65 Sx Replacement Parts Manual 2009 Focuses mainly on educational books, textbooks, and business books. It offers free PDF downloads for educational purposes. Ktm 65 Sx Replacement Parts Manual 2009 Provides a large selection of free eBooks in different genres, which are available for download in various formats, including PDF. Finding specific Ktm 65 Sx Replacement Parts Manual 2009, especially related to Ktm 65 Sx Replacement Parts Manual 2009, might be challenging as theyre often artistic creations rather than practical blueprints. However, you can explore the following steps to search for or create your own Online Searches: Look for websites, forums, or blogs dedicated to Ktm 65 Sx Replacement Parts Manual 2009, Sometimes enthusiasts share their designs or concepts in PDF format. Books and Magazines Some Ktm 65 Sx Replacement Parts Manual 2009 books or magazines might include. Look for these in online stores or libraries. Remember that while Ktm 65 Sx Replacement Parts Manual 2009, sharing copyrighted material without permission is not legal. Always ensure youre either creating your own or obtaining them from legitimate sources that allow sharing and downloading. Library Check if your local library offers eBook lending services. Many libraries have digital catalogs where you can borrow Ktm 65 Sx Replacement Parts Manual 2009 eBooks for free, including popular titles. Online Retailers: Websites like Amazon, Google Books, or Apple Books often sell eBooks. Sometimes, authors or publishers offer promotions or free periods for certain books. Authors Website Occasionally, authors provide excerpts or short stories for free on their websites. While this might not be the Ktm 65 Sx Replacement Parts Manual 2009 full book , it can give you a taste of the authors writing style. Subscription Services Platforms like Kindle Unlimited or Scribd offer subscription-based access to a wide range of Ktm 65 Sx Replacement Parts Manual 2009 eBooks, including some popular titles.

FAQs About Ktm 65 Sx Replacement Parts Manual 2009 Books

1. Where can I buy Ktm 65 Sx Replacement Parts Manual 2009 books? Bookstores: Physical bookstores like Barnes & Noble, Waterstones, and independent local stores. Online Retailers: Amazon, Book Depository, and various online bookstores offer a wide range of books in physical and digital formats.
2. What are the different book formats available? Hardcover: Sturdy and durable, usually more expensive. Paperback: Cheaper, lighter, and more portable than hardcovers. E-books: Digital books available for e-readers like Kindle or software like Apple Books, Kindle, and Google Play Books.
3. How do I choose a Ktm 65 Sx Replacement Parts Manual 2009 book to read? Genres: Consider the genre you enjoy (fiction, non-fiction, mystery, sci-fi, etc.). Recommendations: Ask friends, join book clubs, or explore online reviews and recommendations. Author: If you like a particular author, you might enjoy more of their work.
4. How do I take care of Ktm 65 Sx Replacement Parts Manual 2009 books? Storage: Keep them away from direct sunlight and in a dry environment. Handling: Avoid folding pages, use bookmarks, and handle them with clean hands. Cleaning: Gently dust the covers and pages occasionally.
5. Can I borrow books without buying them? Public Libraries: Local libraries offer a wide range of books for borrowing. Book Swaps: Community book exchanges or online platforms where people exchange books.
6. How can I track my reading progress or manage my book collection? Book Tracking Apps: Goodreads, LibraryThing, and Book Catalogue are popular apps for tracking your reading progress and managing book collections. Spreadsheets: You can create your own spreadsheet to track books read, ratings, and other details.
7. What are Ktm 65 Sx Replacement Parts Manual 2009 audiobooks, and where can I find them? Audiobooks: Audio recordings of books, perfect for listening while commuting or multitasking. Platforms: Audible, LibriVox, and Google Play Books offer a wide selection of audiobooks.
8. How do I support authors or the book industry? Buy Books: Purchase books from authors or independent bookstores. Reviews: Leave reviews on platforms like Goodreads or Amazon. Promotion: Share your favorite books on social media or recommend them to friends.
9. Are there book clubs or reading communities I can join? Local Clubs: Check for local book clubs in libraries or community centers. Online Communities: Platforms like Goodreads have virtual book clubs and discussion groups.
10. Can I read Ktm 65 Sx Replacement Parts Manual 2009 books for free? Public Domain Books: Many classic books are available for free as they're in the public domain. Free E-books: Some websites offer free e-books legally, like Project Gutenberg or Open Library.

Find Ktm 65 Sx Replacement Parts Manual 2009 :

la gloria del olivo

la medecine traditionnelle au rwanda

la mataorologie alusage du marin

la femme de paul au printemps les tombales le papa de simon

la formation de la conscience nationale en republique populaire du congo

la magie dans linde antique.

la collection de bijoux du musee des arts decoratifs a paris

la pasion fotografia de la pelula la pasion de cristo

la civilisation celtique

la confiance ragne

la ciudad y el pilar de sal

la fobe commune

la isla cuba y los cubanos hoy

la corse m6

la lettre et la voix

Ktm 65 Sx Replacement Parts Manual 2009 :

Presbyopia Research: From Molecular Biology to Visual ... by G Obrecht · Cited by 6 — Presbyopia Research. Book ... From Molecular Biology to Visual Adaptation. Editors: Gérard Obrecht, Lawrence W. Stark. Series Title: Perspectives in Vision ... Presbyopia Research: From Molecular Biology to Visual ... Presbyopia Research: From Molecular Biology to Visual Adaptation (Perspectives in Vision Research): 9781441932174: Medicine & Health Science Books ... PRESBYOPIA RESEARCH Page 1. Page 2. PRESBYOPIA RESEARCH. From Molecular Biology to. Visual Adaptation ... This publication, Presbyopia Research: From. Molecular Biology to Visual ... Presbyopia Research: From Molecular Biology to Visual ... Presbyopia Research: From Molecular Biology to Visual Adaptation / Edition 1 ; ISBN-10: 0306436590 ; ISBN-13: 9780306436598 ; Pub. Date: 08/31/1991 ; Publisher: ... FROM MOLECULAR BIOLOGY TO VISUAL By Gerard ... PRESBYOPIA RESEARCH: FROM MOLECULAR BIOLOGY TO VISUAL ADAPTATION (PERSPECTIVES IN VISION RESEARCH) By Gerard Obrecht, Lawrence W. Stark - Hardcover **Mint ... Presbyopia Research: From Molecular Biology to Visual ... Presbyopia Research: From Molecular Biology to Visual Adaptation. New; Paperback. Condition: New; ISBN 10:

1441932178; ISBN 13: 9781441932174; Seller. Presbyopia Research: From Molecular Biology to ... - libristo Presbyopia Research · From Molecular Biology to Visual Adaptation ; Author Gerard Obrecht, Lawrence W. Stark ; Language English ; Binding Book - Paperback ; Date of ... Books: 'Visual adaptation' Feb 11, 2022 — International Symposium on Presbyopia (4th 1989 Marrakech, Morocco). Presbyopia research: From molecular biology to visual adaptation. New York: ... Paper The aetiology of presbyopia: a summary of the role ... by B Gilmartin · 1995 · Cited by 133 — This paper presents a summary of issues, past and present, which have figured in the literature on the physiology of accommodation and presbyopia, and confirms ... Mapping visual attention with change blindness by UT Peter · 2004 · Cited by 52 — This new method allows researchers to carry out the detailed mapping of visual attention necessary to distinguish among and generate new models of visual ... Volvo penta KAD32P Manuals Manuals and User Guides for Volvo Penta KAD32P. We have 2 Volvo Penta KAD32P manuals available for free PDF download: Workshop Manual ; Table of Contents. 3 ... Workshop Manual are no separate instructions in the Workshop Manual. Certain elementary ... 300 and KAD32 also have a mechanically driven compressor for higher power at ... Volvo Penta KAD TAMD KAMD 31, 32, 41, 42, 43, 44, 300 ... Workshop service manual set for the Volvo Penta engine an invaluable must-have for any boat owner running a Penta engine. With a full 7 volume set of Volvo ... Manuals & Handbooks Your engine. Here you can search for operator manuals, service protocols and other product related information for your Volvo Penta product. Related pages. Volvo-KAD32P-instruction-manual.pdf Always change oil, oil filters and fuel filters at the re- commended intervals. Service and replacement parts. Volvo Penta engines and are designed for maximum. Volvo 30 31 32 Series - workshop manual Hi All , just looking for some help in tracking down a wrkshop manual for Kad 32 or at least a wiring diagram. Any help appreciated thanks ; Reply: mike c ... Volvo Penta type 2001-2002-2003 Workshop Manual This workshop manual contains repair instructions for the 2001, 2002 and 2003 engines. The instructions concerning overhauling describe the most suitable ... Workshop Manual This Workshop Manual contains technical specifications, descriptions and instructions for the repair of the following engines in standard format: 2001, 2002,. Volvo Penta TAMD31P-A KAD32P AD41B TMD41B ... - eBay Volvo Penta TAMD31P-A KAD32P AD41B TMD41B Engine Service Repair Manual 7741725 ; manualbasket (40775) ; Time left. 16h 25m16 hours 25 minutes ; Est. delivery. Mon, ... The Palgrave Macmillan POLITICS - Files within / This book is printed on paper suitable for recycling and made from fully managed and sustained forest sources. Logging, pulping and manufacturing processes are ... The Palgrave Macmillan POLITICS Fourth Edition Book Summary: Politics by Andrew Heywood In this blog piece, I will provide a summary of the renowned book “Politics” of Andrew Heywood. Politics : Heywood, Andrew : Free Download, Borrow, and ... Dec 20, 2020 — Politics. by: Heywood, Andrew. Publication date: 2013. Topics: Political science, 89.05 politics in general, Politics and Government, Politische ... Andrew Heywood - Politics (4th ed.) February 2013; Copyright: 2013; ISBN: 9781137272447; Edition: 4; Title ... To download and read this eBook on a PC or Mac: Adobe Digital Editions (This ... Global Politics 1 Introducing Global Politics.

1. 2 Historical Context. 25. 3 Theories of Global Politics. 53. 4 The Economy in a Global Age. Politics - Andrew Heywood
Andrew Heywood. Palgrave Macmillan, 2013 - Political science - 496 pages. Stimulating, succinct and accessible, the fully revised and updated fourth edition ... The Palgrave Macmillan POLITICS Fourth E.pdf The pedagogical features found in this book allow important events, concepts and theoretical issues to be examined in greater depth or detail, whilst also main- ...
Politics - Andrew Heywood Feb 27, 2013 — Edition, 4, illustrated, revised ; Publisher, Macmillan Education UK, 2013 ; ISBN, 0230363377, 9780230363373 ; Length, 520 pages. Politics | WorldCat.org Politics ; Author: Andrew Heywood ; Edition: 4. ed
View all formats and editions ; Publisher: Palgrave Macmillan, Basingstoke, 2013. By Andrew Heywood Politics (Palgrave Foundations ... Buy By Andrew Heywood Politics (Palgrave Foundations Series) (4th edition) 4th edition by Andrew Heywood (ISBN: 8601404243585) from Amazon's Book Store.