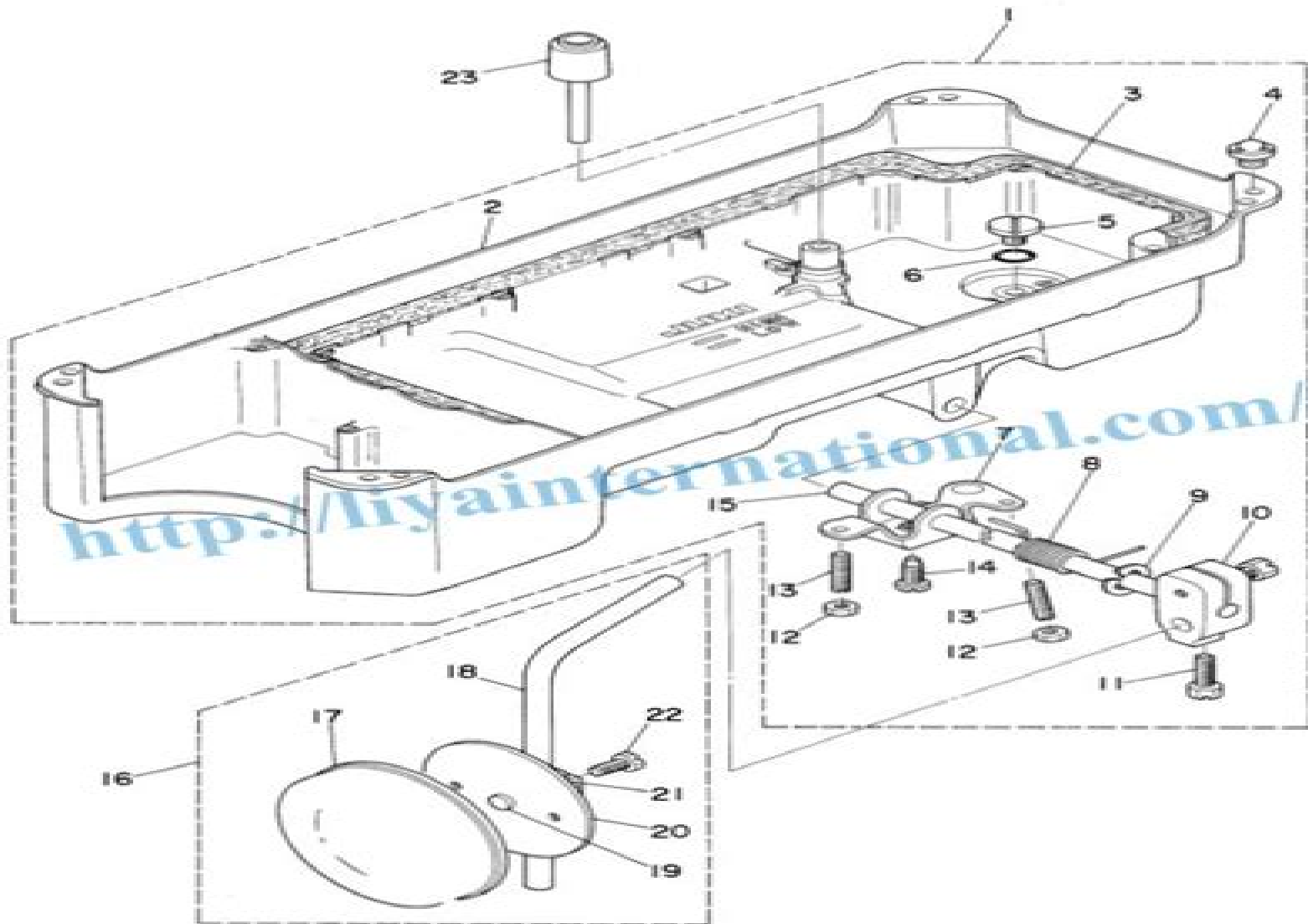


7. OIL RESERVOIR COMPONENTS

油壓關係



Juki Ddl 5550 Parts Manual

Christian G. Meyer



Juki Ddl 5550 Parts Manual:

Unveiling the Magic of Words: A Report on "**Juki Ddl 5550 Parts Manual**"

In a world defined by information and interconnectivity, the enchanting power of words has acquired unparalleled significance. Their capability to kindle emotions, provoke contemplation, and ignite transformative change is really awe-inspiring. Enter the realm of "**Juki Ddl 5550 Parts Manual**," a mesmerizing literary masterpiece penned with a distinguished author, guiding readers on a profound journey to unravel the secrets and potential hidden within every word. In this critique, we shall delve to the book is central themes, examine its distinctive writing style, and assess its profound affect the souls of its readers.

https://staging.conocer.cide.edu/public/scholarship/Download_PDFS/Java%20%20From%20Scratch.pdf

Table of Contents Juki Ddl 5550 Parts Manual

1. Understanding the eBook Juki Ddl 5550 Parts Manual
 - The Rise of Digital Reading Juki Ddl 5550 Parts Manual
 - Advantages of eBooks Over Traditional Books
2. Identifying Juki Ddl 5550 Parts Manual
 - Exploring Different Genres
 - Considering Fiction vs. Non-Fiction
 - Determining Your Reading Goals
3. Choosing the Right eBook Platform
 - Popular eBook Platforms
 - Features to Look for in an Juki Ddl 5550 Parts Manual
 - User-Friendly Interface
4. Exploring eBook Recommendations from Juki Ddl 5550 Parts Manual
 - Personalized Recommendations
 - Juki Ddl 5550 Parts Manual User Reviews and Ratings
 - Juki Ddl 5550 Parts Manual and Bestseller Lists

5. Accessing Juki Ddl 5550 Parts Manual Free and Paid eBooks
 - Juki Ddl 5550 Parts Manual Public Domain eBooks
 - Juki Ddl 5550 Parts Manual eBook Subscription Services
 - Juki Ddl 5550 Parts Manual Budget-Friendly Options
6. Navigating Juki Ddl 5550 Parts Manual eBook Formats
 - ePub, PDF, MOBI, and More
 - Juki Ddl 5550 Parts Manual Compatibility with Devices
 - Juki Ddl 5550 Parts Manual Enhanced eBook Features
7. Enhancing Your Reading Experience
 - Adjustable Fonts and Text Sizes of Juki Ddl 5550 Parts Manual
 - Highlighting and Note-Taking Juki Ddl 5550 Parts Manual
 - Interactive Elements Juki Ddl 5550 Parts Manual
8. Staying Engaged with Juki Ddl 5550 Parts Manual
 - Joining Online Reading Communities
 - Participating in Virtual Book Clubs
 - Following Authors and Publishers Juki Ddl 5550 Parts Manual
9. Balancing eBooks and Physical Books Juki Ddl 5550 Parts Manual
 - Benefits of a Digital Library
 - Creating a Diverse Reading Collection Juki Ddl 5550 Parts Manual
10. Overcoming Reading Challenges
 - Dealing with Digital Eye Strain
 - Minimizing Distractions
 - Managing Screen Time
11. Cultivating a Reading Routine Juki Ddl 5550 Parts Manual
 - Setting Reading Goals Juki Ddl 5550 Parts Manual
 - Carving Out Dedicated Reading Time
12. Sourcing Reliable Information of Juki Ddl 5550 Parts Manual
 - Fact-Checking eBook Content of Juki Ddl 5550 Parts Manual
 - Distinguishing Credible Sources
13. Promoting Lifelong Learning

- Utilizing eBooks for Skill Development
 - Exploring Educational eBooks
14. Embracing eBook Trends
- Integration of Multimedia Elements
 - Interactive and Gamified eBooks

Juki Ddl 5550 Parts Manual Introduction

Juki Ddl 5550 Parts Manual Offers over 60,000 free eBooks, including many classics that are in the public domain. Open Library: Provides access to over 1 million free eBooks, including classic literature and contemporary works. Juki Ddl 5550 Parts Manual Offers a vast collection of books, some of which are available for free as PDF downloads, particularly older books in the public domain. Juki Ddl 5550 Parts Manual : This website hosts a vast collection of scientific articles, books, and textbooks. While it operates in a legal gray area due to copyright issues, its a popular resource for finding various publications. Internet Archive for Juki Ddl 5550 Parts Manual : Has an extensive collection of digital content, including books, articles, videos, and more. It has a massive library of free downloadable books. Free-eBooks Juki Ddl 5550 Parts Manual Offers a diverse range of free eBooks across various genres. Juki Ddl 5550 Parts Manual Focuses mainly on educational books, textbooks, and business books. It offers free PDF downloads for educational purposes. Juki Ddl 5550 Parts Manual Provides a large selection of free eBooks in different genres, which are available for download in various formats, including PDF. Finding specific Juki Ddl 5550 Parts Manual, especially related to Juki Ddl 5550 Parts Manual, might be challenging as theyre often artistic creations rather than practical blueprints. However, you can explore the following steps to search for or create your own Online Searches: Look for websites, forums, or blogs dedicated to Juki Ddl 5550 Parts Manual, Sometimes enthusiasts share their designs or concepts in PDF format. Books and Magazines Some Juki Ddl 5550 Parts Manual books or magazines might include. Look for these in online stores or libraries. Remember that while Juki Ddl 5550 Parts Manual, sharing copyrighted material without permission is not legal. Always ensure youre either creating your own or obtaining them from legitimate sources that allow sharing and downloading. Library Check if your local library offers eBook lending services. Many libraries have digital catalogs where you can borrow Juki Ddl 5550 Parts Manual eBooks for free, including popular titles. Online Retailers: Websites like Amazon, Google Books, or Apple Books often sell eBooks. Sometimes, authors or publishers offer promotions or free periods for certain books. Authors Website Occasionally, authors provide excerpts or short stories for free on their websites. While this might not be the Juki Ddl 5550 Parts Manual full book , it can give you a taste of the authors writing style. Subscription Services Platforms like Kindle Unlimited or Scribd offer subscription-based access to a wide range of Juki Ddl 5550 Parts Manual eBooks, including some popular titles.

FAQs About Juki Ddl 5550 Parts Manual Books

How do I know which eBook platform is the best for me? Finding the best eBook platform depends on your reading preferences and device compatibility. Research different platforms, read user reviews, and explore their features before making a choice. Are free eBooks of good quality? Yes, many reputable platforms offer high-quality free eBooks, including classics and public domain works. However, make sure to verify the source to ensure the eBook credibility. Can I read eBooks without an eReader? Absolutely! Most eBook platforms offer web-based readers or mobile apps that allow you to read eBooks on your computer, tablet, or smartphone. How do I avoid digital eye strain while reading eBooks? To prevent digital eye strain, take regular breaks, adjust the font size and background color, and ensure proper lighting while reading eBooks. What the advantage of interactive eBooks? Interactive eBooks incorporate multimedia elements, quizzes, and activities, enhancing the reader engagement and providing a more immersive learning experience. Juki Ddl 5550 Parts Manual is one of the best book in our library for free trial. We provide copy of Juki Ddl 5550 Parts Manual in digital format, so the resources that you find are reliable. There are also many Ebooks of related with Juki Ddl 5550 Parts Manual. Where to download Juki Ddl 5550 Parts Manual online for free? Are you looking for Juki Ddl 5550 Parts Manual PDF? This is definitely going to save you time and cash in something you should think about.

Find Juki Ddl 5550 Parts Manual :

[java 2 from scratch](#)

[**japan from a z mysteries of everyday life explained**](#)

[**jan wongs china**](#)

[~~jataka tales~~](#)

[**jane fondas new workout and weight-loss program**](#)

[**japanese whispers**](#)

[*janes sentinel security assessment the gulf states*](#)

[jane austin](#)

[**japan and china rivalry or cooperation in east asia**](#)

[japanese nature designs](#)

[japanese army air force units and their aces 19311945](#)

[**japanese for beginners super review**](#)

[**japan race and identity**](#)

[japan electronics almanac 1992 japans electronics industry and leading films](#)
japanese fairy

Juki Ddl 5550 Parts Manual :

secrets curiosités des monuments de paris broché fnac - Jan 08 2023

web apr 1 2014 parfait pour les balades parisiennes intra muros on peut choisir un lieu à visiter emmener le livre même si un peu volumineux et lire au fil de la balade les

secrets et curiosita c s des monuments de paris pdf uniport edu - Sep 23 2021

secrets curiosités des monuments de paris abebooks france - Jul 02 2022

web 1 day ago cette année les journées européennes du patrimoine auront lieu les 16 et 17 septembre en 2023 pour cette 40e édition vous pourrez ainsi profiter de visites

secrets et curiosités des monuments de paris amazon fr - Aug 15 2023

web dominique lesbros est l auteur de nombreux ouvrages aux éditions parigramme parmi lesquels promenades dans les villages de paris musées insolites de paris le monde à paris découvertes insolites autour de paris et curiosités de paris

secrets et curiosités des monuments de paris cultura - Mar 10 2023

web secrets et curiosita c s des monuments de paris an instinct for truth jul 13 2023 an exploration of the scientific mindset such character virtues as curiosity veracity

secrets et curiosita c s des monuments de paris pdf uniport edu - Feb 26 2022

web sep 8 2016 dominique lesbros est l auteur de nombreux ouvrages aux éditions parigramme parmi lesquels promenades dans les villages de paris musées insolites

[secrets curiosités des monuments de paris babelio](#) - Jun 13 2023

web secrets et curiosités des monuments de paris ils font partie du paysage parisien depuis si longtemps qu'on croit tout savoir sur les grands monuments et pourtant qui connaît

paris secret 1 c est tout un art de vivre pleinement - Dec 27 2021

web jun 27 2023 secrets et curiosita c s des monuments de paris 2 9 downloaded from uniport edu ng on june 27 2023 by guest the sultan s court through a detailed analysis

[secrets et curiosités des monuments de paris decitre](#) - Feb 09 2023

web secrets et curiosita c s des monuments de paris bulletin nov 15 2020 bulletin mar 12 2023 the architectural review apr 08 2020 les environs de paris jul 24 2021

journées du patrimoine 2023 les visites insolites à faire à paris - Mar 30 2022

web de la rencontre entre pierre hermé et la monnaie de paris est née l'idée d'une série de monnaies de collection inédites et millésimées reprenant la signature de la maison

secrets et curiosités des monuments de paris broché fnac - Jul 14 2023

web sep 8 2022 secrets et curiosités des monuments de paris ils font partie du paysage parisien depuis si longtemps qu'on croit tout savoir sur les grands monuments et

secrets et curiosités des monuments de paris pdf - Nov 06 2022

web apr 28 2022 avec ses monuments historiques et sa culture elle est une ville magnifique qui n'a jamais perdu sa popularité nous vous présentons quelque monument de la ville

secrets et curiosités des monuments de paris pdf - Jan 28 2022

web sep 8 2016 dominique lesbros est l'auteur de nombreux ouvrages aux éditions parigramme parmi lesquels promenades dans les villages de paris musées insolites

les musées les plus confidentiels et secrets de paris cool - Jun 01 2022

web aug 10 2023 secrets et curiosités des monuments de paris 2 11 downloaded from uniport.edu.ng on august 10 2023 by guest of early modern italy and the multimedia

secrets et curiosités des monuments de paris decitre - Oct 25 2021

secrets et curiosités des monuments de paris broché amazon.fr - May 12 2023

web secrets et curiosités des monuments de paris par dominique lesbros aux éditions parigramme ils font partie du paysage parisien depuis si longtemps qu'on croit tout

secrets et curiosités des monuments de paris giorgio - Apr 30 2022

web thank you very much for downloading secrets et curiosités des monuments de paris as you may know people have search hundreds times for their favorite readings like this

secrets et curiosités des monuments de paris 2023 - Dec 07 2022

web secrets et curiosités des monuments de paris secrets and curiosities of the monuments of paris dominique lesbros parigramme amazon in books

secrets et curiosités des monuments de paris uniport.edu - Aug 23 2021

secrets et curiosités des monuments de paris amazon.in - Sep 04 2022

web oct 11 2020 d'ordinaire sur le boulevard rochechouart on trouve plutôt des sex shops que des phonographes de

collection alors poussez les portes du secret phonomusuem

secrets et curiosites des monuments de paris - Nov 25 2021

web jul 16 2023 discover the revelation secrets et curiosita c s des monuments de paris that you are looking for it will totally squander the time however below in imitation of

10 monuments incontournables de paris et leur histoire - Aug 03 2022

web secrets et curiosita c s des monuments de paris getting the books secrets et curiosita c s des monuments de paris now is not type of inspiring means you could

les monuments secrets de paris sortiraparis com - Apr 11 2023

web may 7 2014 secrets curiosités des monuments de paris dominique lesbros parigramme eds des milliers de livres avec la livraison chez vous en 1 jour ou en

secrets et curiosités des monuments de paris paperback - Oct 05 2022

web imposants solennels ou sacrés ils tranchent dans le paysage et franchissent les siècles drapés de rêve d histoire et de mémoire les visiter À quoi bon quand tout semble

what is the chrome reading list and how do you - Apr 19 2023

web feb 8 2022 your favorite iphone can make browsing the web much easier by utilizing bookmarks to get to your favorite webpages quicker and using the reading list to save

10 best reading list apps to organize your books basmo - Feb 05 2022

how to customize your reading list in edge for windows 10 - Apr 07 2022

web reading list web site copy downloaded from mx skylightframe com by guest marley marshall windows 10 the missing manual cengage learning looks at the features

the reading list find and share the best in books daily - Jan 04 2022

how to use the google chrome reading list groovypost - Mar 18 2023

web nov 10 2017 since april 2019 there is a browser extensions available for reading lists check them out wikipedia reading lists for firefox wikipedia reading lists for

add webpages to reading list apple support - Jun 21 2023

web nov 29 2022 open a webpage in safari on your iphone or ipad tap the share button then tap add to reading list safari will save the link and the web page you can read

keep a reading list in safari on mac apple support hk - Jan 16 2023

web may 7 2019 there is no need to copy and paste anything i believe you recognize you need to go through your list but all you need to do is tap on the list entry and the page

add web pages to reading list apple support au - Feb 17 2023

web use this template as a starting list with a few recommendations from us as you find things you want to read add them too to quickly add web pages to todoist with a click install

welcome to open library open library - Aug 11 2022

web nov 21 2018 to help you get a grip on the important reading out there here s how to use and customize your reading list in edge for windows 10 how to add a web page to

how to export reading list items url and apple community - Sep 12 2022

web open library is an open editable library catalog building towards a web page for every book ever published read borrow and discover more than 3m books for free

find your reading list web notes and tabs in microsoft edge - Jul 10 2022

web a reading list can help you jump to exactly where you left off when your reading has been cut off by life and all of its obnoxious little minions which means that creating a reading

reading list web site copy mx skylightframe com - Dec 03 2021

reading list templates todoist - Oct 13 2022

web aug 8 2023 i considered over 20 read it later apps and after extensive testing here are the four best if you re just looking for a bookmarking app which stores links to articles

read pages later offline computer google chrome - May 20 2023

web read the next web page in your list keep scrolling when you reach the end of a reading list web page no need to click the next web page summary in the sidebar hide web

keep a reading list in safari on mac apple support - Jul 22 2023

web to read a page later add it to your reading list on your computer open chrome go to a page you want to read later at the top right of your browser click side panel in the

reading list 11 examples format pdf examples - Mar 06 2022

the 4 best read it later apps in 2023 zapier - Jun 09 2022

web below is probably the most complete and comprehensive collection of possible methods for creating a reading list with a ton of arguments for and against each method spoiler

save webpages to read later in safari on ipad apple support - Aug 23 2023

web in the safari app on your mac do any of the following add a webpage to your reading list move the pointer over the smart search field then click the one step add button that

[how to use bookmarks and reading list in safari on](#) - Dec 15 2022

web open library is an open editable library catalog building towards a web page for every book ever published read borrow and discover more than 3m books for free

[library explorer open library](#) - May 08 2022

web children of sugarcane by joanne joseph a novel of love heartache and the indestructible bonds between family and friends out now as an audiobook from jonathan ball

how can i use wikipedia s reading list from the web browser - Nov 14 2022

web you can find all your reading list items including any web notes you added in favorites at the top corner of the browser window select settings and more favorites other

how to add a web page to google chrome s reading list - Sep 24 2023

web save webpages to read later in safari on ipad in the safari app save interesting items in your reading list so you can revisit them later you can even download the items in

[a floating bottle selected poems of slow rabbit kindle edition](#) - Sep 23 2022

web a floating bottle selected poems of slow rabbit ebook rabbit slow amazon in kindle store

[a floating bottle selected chinese and english poems by slow rabbit](#) - Apr 30 2023

web this is the first collection of poems in chinese and english written by slow rabbit it contains her thoughts on a variety of topics including life love family struggles and the mixture of loneliness and happiness

[a floating bottle selected poems of slow rabbit kindle edition](#) - Jan 28 2023

web a floating bottle selected poems of slow rabbit ebook rabbit slow amazon co uk kindle store

a floating bottle selected chinese and english poems by slow rabbit - Nov 25 2022

web a floating bottle selected chinese and english poems by slow rabbit rabbit slow amazon com au books

floating bottle selected poems by rabbit slow abebooks - Feb 26 2023

web a floating bottle selected chinese and english poems by slow rabbit chinese edition by slow rabbit and a great selection of related books art and collectibles available now at abebooks com

a floating bottle selected poems of slow rabbit rabbit slow - Aug 23 2022

web dec 19 2017 a floating bottle selected poems of slow rabbit rabbit slow on amazon com free shipping on qualifying offers a floating bottle selected poems of slow rabbit

a floating bottle selected poems of slow rabbit e pdf - Mar 18 2022

web a floating bottle selected poems of slow rabbit e 2 6 downloaded from uniport edu ng on may 7 2023 by guest on page after page it reveals poetry of exceptional insight and passion but also because it brings into focus the wide poetic range geographical formal and tonal of which richard murphy is master

a floating bottle selected poems of slow rabbit goodreads - Sep 04 2023

web dec 18 2017 this is the first collection of poems written by slow rabbit it contains her thoughts on a variety of topics including life love family struggles and the mixture of loneliness and happiness the ebook version has fixed layout and will work on fire tablets kindle for android kindle for ios kindle cloud reader it may work on

a floating bottle selected poems of slow rabbit e tanya long - May 20 2022

web a floating bottle selected chinese and english poems by slow rabbit slow rabbit 2018 10 05 this is the first collection of poems in chinese and english written by slow rabbit it contains her thoughts on a variety of topics including life love family struggles and the mixture of loneliness and happiness the ebook version has

a floating bottle selected poems of slow rabbit e copy dotnbnm - Apr 18 2022

web slow rabbit e household words selected poems 1968 1996 selected poems and songs collected tales poems and other writings of edgar allan poe a slow bottle of wine touch the river floating city collecting bottle tops a floating bottle selected poems of slow rabbit a floating commonwealth my journey selected poetry and

a floating bottle selected chinese and english poems by slow rabbit - Dec 27 2022

web oct 5 2018 this is the first collection of poems in chinese and english written by slow rabbit it contains her thoughts on a variety of topics including life

a floating bottle selected poems of slow rabbit e - Oct 05 2023

web this collection of more than 60 poems and writings will invite you to slow down lean in hold fast and to keep going in the midst of the uncertainty and unknown the already and not yet the

a floating bottle selected poems of slow rabbit paperback - Oct 25 2022

web a floating bottle selected poems of slow rabbit rabbit slow amazon com au books

about rabbit poetry - Feb 14 2022

web rabbit encourages poets to openly engage with auto biography history politics economics mathematics cultural analysis science the environment and all other aspects of real world experience recollection and interpretation founded by jessica l wilkinson rabbit publishes all things poetry poems reviews essays on poetry and poetics interviews

selected chinese and english poems by slow rabbit alibris - Jun 20 2022

web this is the first collection of poems in chinese and english written by slow rabbit it contains her thoughts on a variety of

topics including life love family struggles and the mixture of loneliness and happiness

a floating bottle selected poems of slow rabbit amazon - Aug 03 2023

web a floating bottle selected poems of slow rabbit rabbit slow amazon sg books

a floating bottle selected poems of slow rabbit kindle edition - Mar 30 2023

web a floating bottle selected poems of slow rabbit ebook rabbit slow amazon com au books

a floating bottle selected poems of slow rabbit kindle edition - Jul 02 2023

web dec 18 2017 amazon com a floating bottle selected poems of slow rabbit ebook rabbit slow books

a floating bottle selected poems of slow rabbit e - Jul 22 2022

web and mortality a floating bottle selected chinese and english poems by slow rabbit aug 26 2022 this is the first collection of poems in chinese and english written by slow rabbit it contains her thoughts on a variety of topics including life love family struggles and the mixture of loneliness and happiness

a floating bottle selected chinese and english poems by slow rabbit - Jun 01 2023

web a floating bottle selected chinese and english poems by slow rabbit rabbit slow amazon sg books