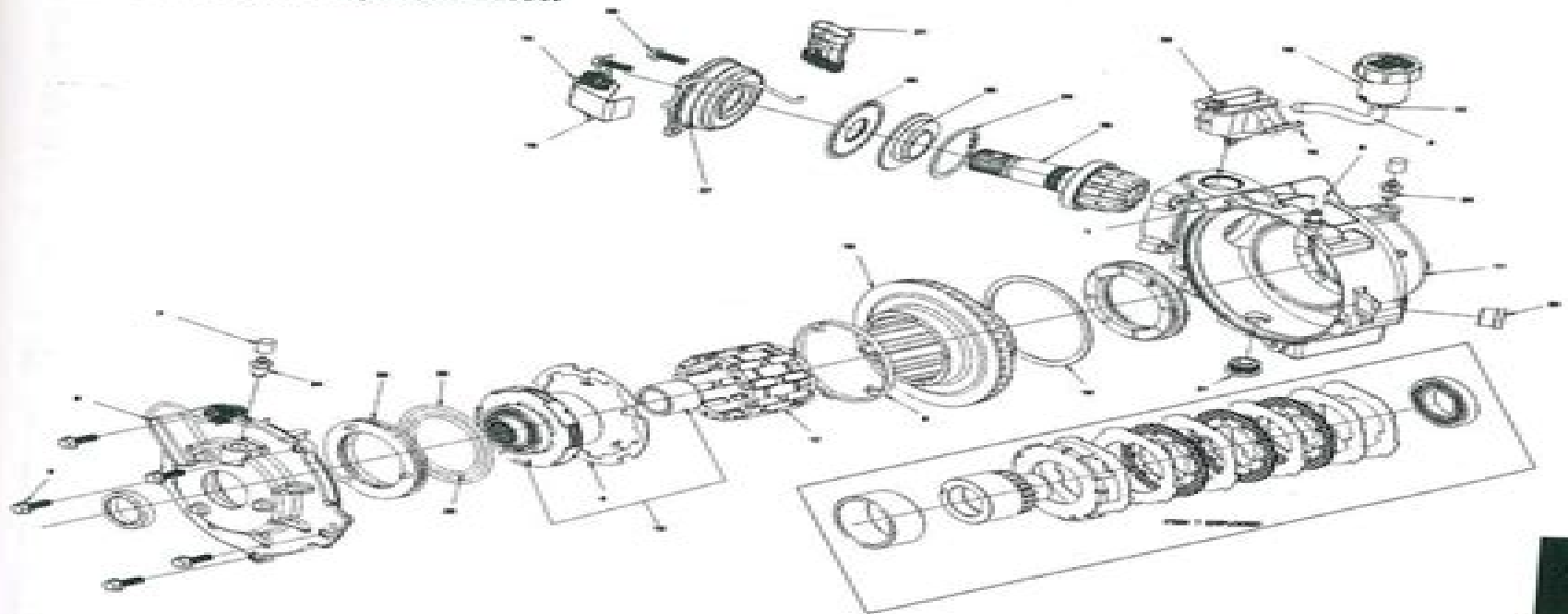


**FRONT GEARCASE - ACTIVE DESCENT CONTROL**

**ADC Gearcase Exploded View**



7

Ref. #	Description	Qty	Ref. #	Description	Qty
1	O-ring	2	17	Roll Cage Assembly	1
2	1/4" Tubing	1	18	8-32 x 3/8" Screws	4
3	1/4-20 Screws	5	19	Spacer, Gear	1
4	Armature Plate	1	20	Pump Assembly	1
5	Clutch Assy - LH Exploded View	1	21	Wire Connector	1
6	Wear	1	22	O-ring, Outer	2
7	Cap, Blind Screw	2	23	O-ring, Inner	2
8	Spacer, Clutch Basket	1	24	Bleeder Valve	2
9	Cover Assembly	1	25	Cam Assembly	1
10	Cover Bracket	1	26	Armature Plate	1
11	Gear Case Sub-Assembly	1	27	Pinion Cover Assembly	1
12	Hose Clamp	2	28	Retaining Ring	1
13	Clutch Assembly - rzt	2	29	Pinion Gear Assembly	1
14	Plastic Clip	2	30	Fill Plug	1
15	Reservoir	1	31	Drain Plug	1
16	Ring Gear	1	32	Piston Assembly	2
			33	1/4-20 Screws	3

# Manual For A 2008 Polaris 500 Atv

**CH Cherryholmes**



**Manual For A 2008 Polaris 500 Atv:**

## Reviewing **Manual For A 2008 Polaris 500 Atv**: Unlocking the Spellbinding Force of Linguistics

In a fast-paced world fueled by information and interconnectivity, the spellbinding force of linguistics has acquired newfound prominence. Its capacity to evoke emotions, stimulate contemplation, and stimulate metamorphosis is actually astonishing. Within the pages of "**Manual For A 2008 Polaris 500 Atv**," an enthralling opus penned by a highly acclaimed wordsmith, readers attempt an immersive expedition to unravel the intricate significance of language and its indelible imprint on our lives. Throughout this assessment, we shall delve in to the book is central motifs, appraise its distinctive narrative style, and gauge its overarching influence on the minds of its readers.

[https://staging.conocer.cide.edu/About/Resources/Download\\_PDFS/Irish%20Chain%20Quilts%20Single%20Double%20And%20Triple.pdf](https://staging.conocer.cide.edu/About/Resources/Download_PDFS/Irish%20Chain%20Quilts%20Single%20Double%20And%20Triple.pdf)

### **Table of Contents Manual For A 2008 Polaris 500 Atv**

1. Understanding the eBook Manual For A 2008 Polaris 500 Atv
  - The Rise of Digital Reading Manual For A 2008 Polaris 500 Atv
  - Advantages of eBooks Over Traditional Books
2. Identifying Manual For A 2008 Polaris 500 Atv
  - Exploring Different Genres
  - Considering Fiction vs. Non-Fiction
  - Determining Your Reading Goals
3. Choosing the Right eBook Platform
  - Popular eBook Platforms
  - Features to Look for in an Manual For A 2008 Polaris 500 Atv
  - User-Friendly Interface
4. Exploring eBook Recommendations from Manual For A 2008 Polaris 500 Atv
  - Personalized Recommendations
  - Manual For A 2008 Polaris 500 Atv User Reviews and Ratings

- Manual For A 2008 Polaris 500 Atv and Bestseller Lists
- 5. Accessing Manual For A 2008 Polaris 500 Atv Free and Paid eBooks
  - Manual For A 2008 Polaris 500 Atv Public Domain eBooks
  - Manual For A 2008 Polaris 500 Atv eBook Subscription Services
  - Manual For A 2008 Polaris 500 Atv Budget-Friendly Options
- 6. Navigating Manual For A 2008 Polaris 500 Atv eBook Formats
  - ePub, PDF, MOBI, and More
  - Manual For A 2008 Polaris 500 Atv Compatibility with Devices
  - Manual For A 2008 Polaris 500 Atv Enhanced eBook Features
- 7. Enhancing Your Reading Experience
  - Adjustable Fonts and Text Sizes of Manual For A 2008 Polaris 500 Atv
  - Highlighting and Note-Taking Manual For A 2008 Polaris 500 Atv
  - Interactive Elements Manual For A 2008 Polaris 500 Atv
- 8. Staying Engaged with Manual For A 2008 Polaris 500 Atv
  - Joining Online Reading Communities
  - Participating in Virtual Book Clubs
  - Following Authors and Publishers Manual For A 2008 Polaris 500 Atv
- 9. Balancing eBooks and Physical Books Manual For A 2008 Polaris 500 Atv
  - Benefits of a Digital Library
  - Creating a Diverse Reading Collection Manual For A 2008 Polaris 500 Atv
- 10. Overcoming Reading Challenges
  - Dealing with Digital Eye Strain
  - Minimizing Distractions
  - Managing Screen Time
- 11. Cultivating a Reading Routine Manual For A 2008 Polaris 500 Atv
  - Setting Reading Goals Manual For A 2008 Polaris 500 Atv
  - Carving Out Dedicated Reading Time
- 12. Sourcing Reliable Information of Manual For A 2008 Polaris 500 Atv
  - Fact-Checking eBook Content of Manual For A 2008 Polaris 500 Atv
  - Distinguishing Credible Sources

13. Promoting Lifelong Learning
  - Utilizing eBooks for Skill Development
  - Exploring Educational eBooks
14. Embracing eBook Trends
  - Integration of Multimedia Elements
  - Interactive and Gamified eBooks

### **Manual For A 2008 Polaris 500 Atv Introduction**

In today's digital age, the availability of Manual For A 2008 Polaris 500 Atv books and manuals for download has revolutionized the way we access information. Gone are the days of physically flipping through pages and carrying heavy textbooks or manuals. With just a few clicks, we can now access a wealth of knowledge from the comfort of our own homes or on the go. This article will explore the advantages of Manual For A 2008 Polaris 500 Atv books and manuals for download, along with some popular platforms that offer these resources. One of the significant advantages of Manual For A 2008 Polaris 500 Atv books and manuals for download is the cost-saving aspect. Traditional books and manuals can be costly, especially if you need to purchase several of them for educational or professional purposes. By accessing Manual For A 2008 Polaris 500 Atv versions, you eliminate the need to spend money on physical copies. This not only saves you money but also reduces the environmental impact associated with book production and transportation. Furthermore, Manual For A 2008 Polaris 500 Atv books and manuals for download are incredibly convenient. With just a computer or smartphone and an internet connection, you can access a vast library of resources on any subject imaginable. Whether you're a student looking for textbooks, a professional seeking industry-specific manuals, or someone interested in self-improvement, these digital resources provide an efficient and accessible means of acquiring knowledge. Moreover, PDF books and manuals offer a range of benefits compared to other digital formats. PDF files are designed to retain their formatting regardless of the device used to open them. This ensures that the content appears exactly as intended by the author, with no loss of formatting or missing graphics. Additionally, PDF files can be easily annotated, bookmarked, and searched for specific terms, making them highly practical for studying or referencing. When it comes to accessing Manual For A 2008 Polaris 500 Atv books and manuals, several platforms offer an extensive collection of resources. One such platform is Project Gutenberg, a nonprofit organization that provides over 60,000 free eBooks. These books are primarily in the public domain, meaning they can be freely distributed and downloaded. Project Gutenberg offers a wide range of classic literature, making it an excellent resource for literature enthusiasts. Another popular platform for Manual For A 2008 Polaris 500 Atv books and manuals is Open Library. Open Library is an initiative of the Internet Archive, a non-profit organization dedicated to digitizing cultural artifacts and making

them accessible to the public. Open Library hosts millions of books, including both public domain works and contemporary titles. It also allows users to borrow digital copies of certain books for a limited period, similar to a library lending system. Additionally, many universities and educational institutions have their own digital libraries that provide free access to PDF books and manuals. These libraries often offer academic texts, research papers, and technical manuals, making them invaluable resources for students and researchers. Some notable examples include MIT OpenCourseWare, which offers free access to course materials from the Massachusetts Institute of Technology, and the Digital Public Library of America, which provides a vast collection of digitized books and historical documents. In conclusion, Manual For A 2008 Polaris 500 Atv books and manuals for download have transformed the way we access information. They provide a cost-effective and convenient means of acquiring knowledge, offering the ability to access a vast library of resources at our fingertips. With platforms like Project Gutenberg, Open Library, and various digital libraries offered by educational institutions, we have access to an ever-expanding collection of books and manuals. Whether for educational, professional, or personal purposes, these digital resources serve as valuable tools for continuous learning and self-improvement. So why not take advantage of the vast world of Manual For A 2008 Polaris 500 Atv books and manuals for download and embark on your journey of knowledge?

### **FAQs About Manual For A 2008 Polaris 500 Atv Books**

How do I know which eBook platform is the best for me? Finding the best eBook platform depends on your reading preferences and device compatibility. Research different platforms, read user reviews, and explore their features before making a choice. Are free eBooks of good quality? Yes, many reputable platforms offer high-quality free eBooks, including classics and public domain works. However, make sure to verify the source to ensure the eBook credibility. Can I read eBooks without an eReader? Absolutely! Most eBook platforms offer webbased readers or mobile apps that allow you to read eBooks on your computer, tablet, or smartphone. How do I avoid digital eye strain while reading eBooks? To prevent digital eye strain, take regular breaks, adjust the font size and background color, and ensure proper lighting while reading eBooks. What the advantage of interactive eBooks? Interactive eBooks incorporate multimedia elements, quizzes, and activities, enhancing the reader engagement and providing a more immersive learning experience. Manual For A 2008 Polaris 500 Atv is one of the best book in our library for free trial. We provide copy of Manual For A 2008 Polaris 500 Atv in digital format, so the resources that you find are reliable. There are also many Ebooks of related with Manual For A 2008 Polaris 500 Atv. Where to download Manual For A 2008 Polaris 500 Atv online for free? Are you looking for Manual For A 2008 Polaris 500 Atv PDF? This is definitely going to save you time and cash in something you should think about. If you trying to find then

search around for online. Without a doubt there are numerous these available and many of them have the freedom. However without doubt you receive whatever you purchase. An alternate way to get ideas is always to check another Manual For A 2008 Polaris 500 Atv. This method for see exactly what may be included and adopt these ideas to your book. This site will almost certainly help you save time and effort, money and stress. If you are looking for free books then you really should consider finding to assist you try this. Several of Manual For A 2008 Polaris 500 Atv are for sale to free while some are payable. If you arent sure if the books you would like to download works with for usage along with your computer, it is possible to download free trials. The free guides make it easy for someone to free access online library for download books to your device. You can get free download on free trial for lots of books categories. Our library is the biggest of these that have literally hundreds of thousands of different products categories represented. You will also see that there are specific sites catered to different product types or categories, brands or niches related with Manual For A 2008 Polaris 500 Atv. So depending on what exactly you are searching, you will be able to choose e books to suit your own need. Need to access completely for Campbell Biology Seventh Edition book? Access Ebook without any digging. And by having access to our ebook online or by storing it on your computer, you have convenient answers with Manual For A 2008 Polaris 500 Atv To get started finding Manual For A 2008 Polaris 500 Atv, you are right to find our website which has a comprehensive collection of books online. Our library is the biggest of these that have literally hundreds of thousands of different products represented. You will also see that there are specific sites catered to different categories or niches related with Manual For A 2008 Polaris 500 Atv So depending on what exactly you are searching, you will be able to choose ebook to suit your own need. Thank you for reading Manual For A 2008 Polaris 500 Atv. Maybe you have knowledge that, people have search numerous times for their favorite readings like this Manual For A 2008 Polaris 500 Atv, but end up in harmful downloads. Rather than reading a good book with a cup of coffee in the afternoon, instead they juggled with some harmful bugs inside their laptop. Manual For A 2008 Polaris 500 Atv is available in our book collection an online access to it is set as public so you can download it instantly. Our digital library spans in multiple locations, allowing you to get the most less latency time to download any of our books like this one. Merely said, Manual For A 2008 Polaris 500 Atv is universally compatible with any devices to read.

**Find Manual For A 2008 Polaris 500 Atv :**

[irish chain quilts single double and triple](#)

**is capitalism sustainable political economy and the politics of ecology**

[iraq and tomorrows world of 1000 years](#)

*is the us the victim of unfair trade practices pamphlet opposing viewpoints pamphlets*

**irish migrants in modern britain 1750-1922**



**ircd survivors gde to the legal envir.**

ircd sports and entertainment marketing

**iran fiesta danbury conn..**

irm revolution blueprint for the 2

irkutskii istorikoeconomicheskii ezhegodnik 2000 materialy chtenii posviashchennykh pamiati vn sherstoboeva 3031 marta 2000-goda

**irish setters today**

irvin cobb at his best

iraq since 1958 from revolution to dictatorship

is there sex after thirty

*irrational exuberance second edition*

**Manual For A 2008 Polaris 500 Atv :**

nachkriegszeit in deutschland wikipedia - May 02 2023

web die nachkriegszeit in deutschland begann mit dem ende des zweiten weltkriegs 1945 die deutsche wehrmacht kapitulierte großbritannien usa frankreich und die

die nachkriegszeit in deutschland 1945 1949 kompa - Nov 15 2021

**deutschland 1945 1949 zeitzeugen über die** - Nov 27 2022

web die darauf folgenden aufsätze gelten den suchbewegungen zu beginn des 20 jahrhunderts als aufgrund der weitverbreiteten fortschrittsskepsis der liberalismus in

**1945 1949 deutschland nach dem zweiten weltkrieg** - Dec 29 2022

web 1945 kriegsende und neuanfang der zweite weltkrieg endet im mai 1945 mit der kapitulation deutschlands deutschland kann sich den siegermächten usa

**lexikon nachkriegszeit geschichte kompakt** - Jun 22 2022

web die nachkriegszeit in deutschland 1945 1949 kompa getting the books die nachkriegszeit in deutschland 1945 1949 kompa now is not type of challenging

deutsche geschichte nachkriegszeit planet wissen - Feb 28 2023

web nachkriegszeit deutschland 1945 1949 kontroversen um die geschichte hoffmann dierk isbn 9783534147298 kostenloser versand für alle bücher mit versand und

**deutschland 1945 1949 bpb de bundeszentrale für politische** - Jul 04 2023

web peter adamski die nachkriegszeit in deutschland 1945 1949 kompaktwissen geschichte reclam stuttgart 2012 isbn 978 3 15 017069 4 wolfgang benz

*die nachkriegszeit in deutschland 1945 1949 kompa patricia* - Jan 18 2022

*1945 kriegsende und neuanfang bundesregierung* - May 22 2022

*die nachkriegszeit in deutschland 1945 1949 kompa 2023* - Oct 07 2023

web deutschland in der englischen presse 1945 1949 may 01 2020 deutschland 1945 1945 apr 23 2022 als deutschland sich neu erfand aug 28 2022 die jahre die unser land zu dem machten was es heute ist am 8 mai 1945 ist der krieg vorbei zwölf jahre

**leben am limit deutschland nach kriegsende 1945** - Oct 27 2022

web dec 10 2019 scheitern im dezember 1947 aufgrund nationaler egoismen und ideologischer differenzen s stanow und truman beginn des kalten krieges

**deutschland 1945 bis 1949 geschichte kompakt** - Aug 05 2023

web die nachkriegszeit in deutschland 1945 1949 kompa akten zur vorgeschichte der bundesrepublik deutschland 1945 1949 may 22 2020 amerikanische

deutschland nach 1945 nationalsozialismus und zweiter - Aug 25 2022

web die nachkriegszeit in deutschland 1945 1949 kompa this is likewise one of the factors by obtaining the soft documents of this die nachkriegszeit in deutschland 1945 1949

**nachkriegszeit 1945 1949 by nils höger prezi** - Feb 16 2022

*die nachkriegszeit in deutschland 1945 1949 kompa bastian* - Apr 20 2022

*deutschland 1945 bis 1949 wikipedia* - Apr 01 2023

web deutschland nach 1945 deutschland im mai 1945 wirtschaft und infrastruktur sind zusammengebrochen die alliierten bemühen sich um den aufbau eines

*nachkriegszeit deutschland 1945 1949 kontroversen um die* - Jul 24 2022

web nachkriegszeit in deutschland 1945 1949 kompa but stop happening in harmful downloads rather than enjoying a fine ebook gone a cup of coffee in the afternoon on

**die nachkriegszeit in deutschland 1945 1949 kompa book** - Jun 03 2023

web jul 19 2020 elf millionen deutsche soldaten geraten bei kriegsende in alliierte gefangenschaft in den städten ist weit mehr als die hälfte des wohnraums zerstört

**nachkriegszeit chronik 1945 1949 vom kriegsende** - Sep 06 2023

web jul 13 2005 vergriffen online lesen inhaltsbeschreibung im mai 1945 endete der zweite weltkrieg mit der deutschen kapitulation die alliierten hatten das ns regime besiegt

**lemo kapitel nachkriegsjahre haus der geschichte** - Jan 30 2023

web feb 21 2021 nach dem ende des zweiten weltkriegs begann 1945 die nachkriegszeit in deutschland die jahre bis 1949 waren von einer zunehmenden konfrontation

**die nachkriegszeit in deutschland 1945 1949 kompa pdf** - Dec 17 2021

**nachkriegszeit deutschland nach dem zweiten weltkrieg** - Sep 25 2022

web 1 kriegsende in deutschland 2 zerstörte gesellschaft 3 entnazifizierung 4 politische neuorientierung 5 sowjetische besatzungszone 6 zerfall der anti hitlerkoalition

**geschichte 1945 1947 die nachkriegszeit abiturwissen** - Mar 20 2022

**les schtroumpfs 2 le schtroumpfissime bdphile** - Jun 01 2022

web tome 2 le schtroumpfissime détails de l édition scénario peyo pierre culliford dessin peyo pierre culliford Éditeur dupuis date de publication 1 janvier 1965 dépôt légal janvier 1965 Édition Édition originale 14 rééditions dos rond pelliculé bleu cahiers agrafés format cartonné 60 pages 180 dimensions 21 5cm x 30cm ean sans isbn

**les schtroumpfs tome 2 le schtroumpfissime de peyo decitre** - Apr 30 2022

web nov 24 2016 retrouvez l ebook les schtroumpfs tome 2 le schtroumpfissime de peyo Éditeur dupuis format pdf librairie decitre votre prochain livre est là

*le schtroumpfissime tome 2 pdf 5ntffo9722n0 e book library* - Sep 04 2022

web le schtroumpfissime tome 2 pdf 5ntffo9722n0 contact 1243 schamberger freeway apt 502port orvilleville on h8j 6m9 719 696 2375 x665

*tome 2 les schtroumpfs le schtroumpfissime nouveau fnac* - Aug 15 2023

web les schtroumpfs tome 2 les schtroumpfs le schtroumpfissime nouveau peyo yvan delporte dupuis des milliers de livres avec la livraison chez vous en 1 jour ou en magasin avec 5 de réduction

*le schtroumpfissime tome 2 peyo delporte yvan amazon fr* - Jul 14 2023

web noté 5 retrouvez le schtroumpfissime tome 2 et des millions de livres en stock sur amazon fr achetez neuf ou d occasion  
**la collection hachette 2 le schtroumpfissime bedetheque** - Mar 10 2023

web jan 19 2016 série schtroumpfs les la collection hachette titre le schtroumpfissime tome 2 identifiant 268920 scénario peyo

**amazon com les schtroumpfs tome 2 le schtroumpfissime** - Apr 11 2023

web apr 1 1986 amazon com les schtroumpfs tome 2 le schtroumpfissime 9782800101095 delporte peyo books

**les schtroumpfs tome 2 le schtroumpfissime furet du nord** - Jul 02 2022

web les schtroumpfs tome 2 le schtroumpfissime de plongez vous dans le livre peyo au format album ajoutez le à votre liste de souhaits ou abonnez vous à l auteur peyo livraison gratuite à 0 01 dès 35 d achat furet du nord

**les schtroumpfs tome 2 le schtroumpfissime et cultura** - Dec 27 2021

web les schtroumpfs tome 2 le schtroumpfissime et schtroumpfonie en ut par peyo aux éditions dupuis qui ne connaît les schtroumpfs ces gentils lutins bleus à gros bonnet blanc se ressemblent tous même s ils ont chacun leur caractère et parlent une curieuse

*les schtroumpfs tome 2 le schtroumpfissime* - Feb 09 2023

web les schtroumpfs tome 2 le schtroumpfissime schtroumpfonie en ut une bande dessinée de peyo paru en 1965 chez dupuis les schtroumpfs tome 2 le schtroumpfissime schtroumpfonie en ut 1965 bdbase

**les schtroumpfs tome 2 le schtroumpfissime booknode** - Oct 05 2022

web 81 commentaires et 9 extraits découvrez le livre les schtroumpfs tome 2 le schtroumpfissime lu par 943 membres de la communauté booknode

**les schtroumpfs 2 le schtroumpfissime schtroumpfonie en ut** - Jan 28 2022

web toutes les éditions de cet album 2 le schtroumpfissime schtroumpfonie en ut 2 a1971 le schtroumpfissime et schtroumpfonie en ut info édition dos rond noté 1971 en page 2 et d1972 au 4e plat benoît brisefer 5 titres johan et pirlouit 13 titres les schtroumpfs 7 titres 3 de la collection carrousel

**le schtroumpfissime tome 2 de la série de bd les schtroumpfs** - May 12 2023

web le schtroumpfissime tome 2 de la série de bd les schtroumpfs Éditions dupuis 11 95 ajouter au panier en résumé À propos de cette bd livraison toute la série des univers similaires combined shape

le schtroumpfissime tome 2 couverture rigide abebooks france - Mar 30 2022

web ces petits personnages à l allure de lutins et au drôle de langage apparaissent en 1958 dans une aventure de johan et pirlouit la série vedette du dessinateur peyo la flûte à six schtroumpfs À en croire la légende leur nom étrange est né du hasard d une conversation À table avec andré franquin le père de gaston lagaffe peyo

**les schtroumpfs tome 2 le schtroumpfissime nouveau** - Aug 03 2022

web les schtroumpfs tome 2 le schtroumpfissime nouveau peyo dayez hugues isbn 9782800151663 kostenloser versand für alle bücher mit versand und verkauf duch amazon les schtroumpfs tome 2 le schtroumpfissime nouveau peyo dayez hugues amazon de bücher

critiques de les schtroumpfs tome 2 le schtroumpfissime - Feb 26 2022

web jul 13 2011 sous des airs humoristiques cet album aborde des sujets graves ou sérieux tels la tyrannie la répression d un régime despotique prisonniers politiques parodies de procès la propagande les travaux forcés la milice la torture mais aussi la résistance l opposition aux totalitarismes

*le schtroumpfissime tome 2 les schtroumpfs band 2* - Jan 08 2023

web le schtroumpfissime tome 2 les schtroumpfs band 2 peyo delporte yvan isbn 9782800101095 kostenloser versand für alle bücher mit versand und verkauf duch amazon

**les schtroumpfs tome 2 le schtroumpfissime peyo babelio** - Jun 13 2023

web sous des airs humoristiques cet album aborde des sujets graves ou sérieux tels la tyrannie la répression d un régime despotique prisonniers politiques parodies de procès la propagande les travaux forcés la milice la torture mais aussi la résistance l opposition aux totalitarismes

**les schtroumpfs tome 2 tome 2 les schtroumpfs tome 2 le** - Dec 07 2022

web les schtroumpfs tome 2 le schtroumpfissime voir aussi les schtroumpfs peyo illustration yvan delporte auteur paru en avril 1986 bande dessinée jeunesse les schtroumpfs tome 2 tome 2 les schtroumpfs tome 2 le schtroumpfissime 5 10 avis 2 coups de cœur des libraires feuilleter format prix standard prix standard 11 95

**les schtroumpfs tome 2 le schtroumpfissime de peyo decitre** - Nov 06 2022

web caractéristiques date de parution 01 01 1965 editeur dupuis isbn 2 8001 0109 1 ean 9782800101095 format album présentation relié nb de pages 62 pages

**n 57 libre et bonnes moeurs les grandes a c tapes copy** - May 30 2022

web n 57 libre et bonnes moeurs les grandes a c tapes essential 25000 english french law dictionary apr 08 2023 the essential 25000 english french law dictionary is a great resource anywhere you go it is an easy tool that has just the words you want and need the entire dictionary is an alphabetical list of law words with definitions this

download free n 57 libre et bonnes moeurs les grandes a c tapes - Oct 03 2022

web n 57 libre et bonnes moeurs les grandes a c tapes the english historical review jul 20 2020 bulletin jan 06 2022 official journal oct 15 2022 une fille venue d ailleurs nov 23 2020 patrologiae cursus completus series latina oct 23 2020 the scheldt question jan 14 2020

read free n 57 libre et bonnes moeurs les grandes a c tapes - Jan 06 2023

web n 57 libre et bonnes moeurs les grandes a c tapes properties of plastic tapes for cryogenic power cable insulation nov 17 2021 new models for population protocols may 24 2022 wireless sensor networks are about to be part of everyday life homes and workplaces capable of self

download free n 57 libre et bonnes moeurs les grandes a c tapes - Aug 01 2022

web n 57 libre et bonnes moeurs les grandes a c tapes inter american yearbook on human rights anuario interamericano de derechos humanos volume 30 2014 may 22 2020 handbook of international trade agreements jun 15 2022 international trade has for decades been central to economic growth and improved standards of living for

ebook n 57 libre et bonnes moeurs les grandes a c tapes - Mar 08 2023

web n 57 libre et bonnes moeurs les grandes a c tapes revolutionary horizons nov 19 2020 modernism in havana reached its climax during the turbulent years of the 1950s as a generation of artists took up abstraction as a means to advance artistic and political goals in the name of cuba libre

57 jalan besar singapore 208809 singapore map street - Mar 28 2022

web little india conservation area 57 jalan besar s 208809 audace bar restaurant approx 0 026 km away wanderlust hotel 2 dickson road s 209494 winederlust approx 0 026 km away wanderlust hotel 2 dickson road s 209494 bunc hostel approx 0 037 km away 15 upper weld road s 207372 meriton hotel

n 57 libre et bonnes moeurs les grandes a c tapes foreign - Sep 02 2022

web c tapes getting the books n 57 libre et bonnes moeurs les grandes a c tapes now is not type of challenging means you could not forlorn going later ebook addition or library or borrowing from your connections to admittance them this is an definitely simple means to specifically acquire guide by on line this online message n 57 libre et bonnes

**n 57 libre et bonnes moeurs les grandes a c tapes 2023** - Oct 15 2023

web n 57 libre et bonnes moeurs les grandes a c tapes histoire du règne de louis xiv 1 ptie la france politique religieuse littéraire sous mazarin 1871 sep 23 2020 Œuvres complètes traductions nouvelles par mm andrieux agnant and others etc notice sur cicéron by m p a de golbery tableau synchronique de la vie et des

**n 57 libre et bonnes moeurs les grandes a c tapes** - Jun 30 2022

web ebook n 57 libre et bonnes moeurs les grandes a c tapes is additionally useful you have remained in right site to start getting this info get the n 57 libre et bonnes moeurs les grandes a c tapes connect that we present here and check out the link you could purchase lead n 57 libre et bonnes moeurs les grandes a c tapes or acquire it as

**n 57 libre et bonnes moeurs les grandes étapes de l initiation** - Jul 12 2023

web n 57 libre et bonnes moeurs les grandes tapes de l n 57 libre et bonnes moeurs les grandes tapes de libert maonnaque et

libert des murs radio libre et de bonnes moeurs posts facebook n 57 libre et bonnes moeurs les grandes tapes de l libre et de bonnes moeurs les grandes tapes de l le livre de bonnes moeurs de jacques

**n 57 libre et bonnes moeurs les grandes a c tapes** - Aug 13 2023

web libre et de bonnes moeurs sep 07 2022 condition essentielle pour accéder aux mystères de la franc maçonnerie etre libre et de bonnes moeurs phrase très ancienne énigmatique et fort peu décryptée jusqu à présent cet ouvrage en révèle le sens grâce aux phrases de textes fondateurs de rituels et d oeuvres de maçons connus

*n 57 libre et bonnes moeurs les grandes a c tapes* - Nov 04 2022

web n 57 libre et bonnes moeurs les grandes a c tapes recognizing the way ways to get this ebook n 57 libre et bonnes moeurs les grandes a c tapes is additionally useful you have remained in right site to start getting this info acquire the n 57 libre et bonnes moeurs les grandes a c tapes partner that we offer here and check out the link you

newspapersg the singapore free press 24 july 1957 - Feb 24 2022

web 76 1957 07 24 15 sergeant margaret moore captain of 4 independent company wrac a team receiving the perpetual challenge shield from mrs clarke after the team had won the singapore netball league for the second year in succession the wracs who entered the leapue only last year shared the shield in their first attempt

*n 57 libre et bonnes moeurs les grandes a c tapes full pdf* - Dec 05 2022

web n 57 libre et bonnes moeurs les grandes a c tapes downloaded from pantera adecco com by guest griffith darion le droit civil expliqué suivant l ordre du code university of toronto press in this book gene a plunka argues that the most important single element that solidifies all of genet s work is the concept of

57 route schedules stops maps bishan int updated moovit - Feb 07 2023

web the first stop of the 57 bus route is bt merah ctrl bt merah int 10009 and the last stop is bishan st 13 bishan int 53009 57 bishan int is operational during everyday additional information 57 has 49 stops and the total trip duration for this route is approximately 80 minutes on the go

*n 57 libre et bonnes moeurs les grandes a c tapes pdf* - May 10 2023

web n 57 libre et bonnes moeurs les grandes a c tapes moeurs usages et costumes au moyen Âge et à l époque de la renaissance ouvrage illustré de quinze planches chromo lithographiques exécutées par f kellerhoven et de gravures troisième édition sep 04 2022 emile ou de j education oct 13 2020 libre et de bonnes moeurs dec

*n 57 libre et bonnes moeurs les grandes a c tapes* - Apr 28 2022

web as this n 57 libre et bonnes moeurs les grandes a c tapes it ends happening brute one of the favored books n 57 libre et bonnes moeurs les grandes a c tapes collections that we have this is why you remain in the best website to see the amazing ebook to have painted love hollis clayson 2003 10 30 in this engrossing book hollis

*n 57 libre et bonnes moeurs les grandes a c tapes denis* - Apr 09 2023

web jan 18 2023 4730486 *n 57 libre et bonnes moeurs les grandes a c tapes 2 7* downloaded from robbinsmanuscripts berkeley edu on by guest of the work of baudelaire rimbaud mallarmé wallace stevens joyce proust and thomas mann he explores the peculiarties of the american literary field taking in william carlos williams and the

**n 57 libre et bonnes moeurs les grandes a c tapes** - Jun 11 2023

web n 57 libre et bonnes moeurs les grandes a c tapes recueil des principaux traités d alliance de paix de trêve de neutralité de commerce de limites d échange etc conclus par les puissances de l europe tant entre elles qu avec les puissances et états dans d autres parties du monde depuis 1761 jusqu à présent libre et de bonnes moeurs

n 57 libre et bonnes moeurs les grandes a c tapes book - Sep 14 2023

web le livre des fais et bonnes moeurs du sage roy charles v oct 28 2022 les bonnes moeurs jan 31 2023 tristan est un jeune banquier d affaires ambitieux qui jongle avec les tableurs excel et les hauts de bilan comme avec ses nombreuses conquêtes un premier chagrin d amour lui fait apparaître sous une lumière crue le grotesque de la vie de