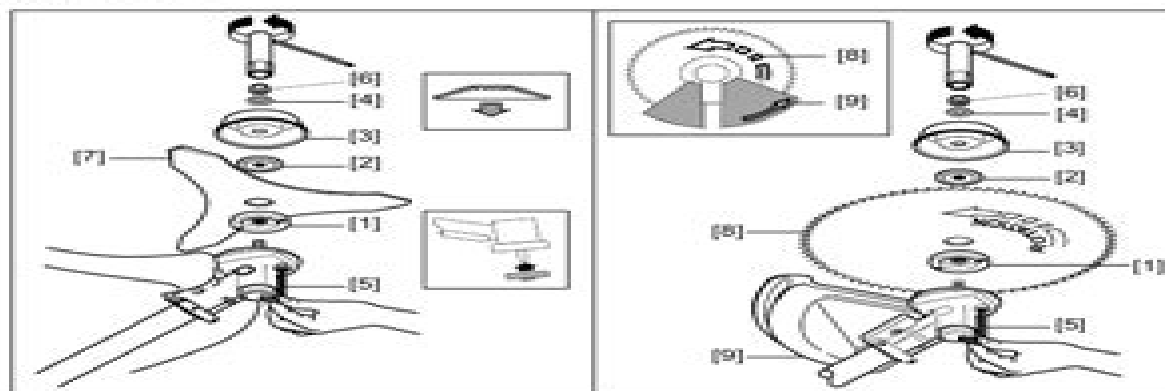


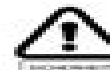
MONTAGE



3-ZAHN-SCHEIBE

Die Mähscheibe so zwischen die Zwischenscheiben [1] und [2] setzen, dass die Keilnuten sich perfekt der Welle anpassen.

Den Stabilisator [3] und die Scheibe [4] platzieren. Mit dem Sechskantschlüssel [5] die Welle am Drehen hindern und die Sicherungsmutter [6] mit dem geeigneten Schlüssel im Gegenuhreigersinn festziehen.



B8 C11 D3

KREISSÄGENBLATT (AUSSTATTUNGSOPTION)

⚠️ WARNUNG :

Dieses Zubehör darf nur auf den Modellen UMK435E UEET, und auch dann nur nach Einbau der geeigneten Honda-Schutzvorrichtung [9] montiert werden.

Unabhängig von der Anzahl der Zähne einer Zahn-Scheibe (3 oder 4) erfolgt die Montage auf gleiche Weise.

⚠️ WARNUNG :

Die Montage-richtung des Werkzeugs einhalten. Der auf dem Sägeblatt aufgedruckte Pfeil [8] muss in gleiche Richtung zeigen wie der Pfeil auf der Schutzvorrichtung [9].

Honda Umk 435 E Manual

Yan Bai



Honda Umk 435 E Manual:

Immerse yourself in heartwarming tales of love and emotion with Crafted by is touching creation, Experience Loveis Journey in **Honda Umk 435 E Manual** . This emotionally charged ebook, available for download in a PDF format (*), is a celebration of love in all its forms. Download now and let the warmth of these stories envelop your heart.

<https://staging.conocer.cide.edu/results/scholarship/index.jsp/microsoft%20project%20training%20manual.pdf>

Table of Contents Honda Umk 435 E Manual

1. Understanding the eBook Honda Umk 435 E Manual
 - The Rise of Digital Reading Honda Umk 435 E Manual
 - Advantages of eBooks Over Traditional Books
2. Identifying Honda Umk 435 E Manual
 - Exploring Different Genres
 - Considering Fiction vs. Non-Fiction
 - Determining Your Reading Goals
3. Choosing the Right eBook Platform
 - Popular eBook Platforms
 - Features to Look for in an Honda Umk 435 E Manual
 - User-Friendly Interface
4. Exploring eBook Recommendations from Honda Umk 435 E Manual
 - Personalized Recommendations
 - Honda Umk 435 E Manual User Reviews and Ratings
 - Honda Umk 435 E Manual and Bestseller Lists
5. Accessing Honda Umk 435 E Manual Free and Paid eBooks
 - Honda Umk 435 E Manual Public Domain eBooks
 - Honda Umk 435 E Manual eBook Subscription Services
 - Honda Umk 435 E Manual Budget-Friendly Options
6. Navigating Honda Umk 435 E Manual eBook Formats

- ePub, PDF, MOBI, and More
- Honda Umk 435 E Manual Compatibility with Devices
- Honda Umk 435 E Manual Enhanced eBook Features
- 7. Enhancing Your Reading Experience
 - Adjustable Fonts and Text Sizes of Honda Umk 435 E Manual
 - Highlighting and Note-Taking Honda Umk 435 E Manual
 - Interactive Elements Honda Umk 435 E Manual
- 8. Staying Engaged with Honda Umk 435 E Manual
 - Joining Online Reading Communities
 - Participating in Virtual Book Clubs
 - Following Authors and Publishers Honda Umk 435 E Manual
- 9. Balancing eBooks and Physical Books Honda Umk 435 E Manual
 - Benefits of a Digital Library
 - Creating a Diverse Reading Collection Honda Umk 435 E Manual
- 10. Overcoming Reading Challenges
 - Dealing with Digital Eye Strain
 - Minimizing Distractions
 - Managing Screen Time
- 11. Cultivating a Reading Routine Honda Umk 435 E Manual
 - Setting Reading Goals Honda Umk 435 E Manual
 - Carving Out Dedicated Reading Time
- 12. Sourcing Reliable Information of Honda Umk 435 E Manual
 - Fact-Checking eBook Content of Honda Umk 435 E Manual
 - Distinguishing Credible Sources
- 13. Promoting Lifelong Learning
 - Utilizing eBooks for Skill Development
 - Exploring Educational eBooks
- 14. Embracing eBook Trends
 - Integration of Multimedia Elements
 - Interactive and Gamified eBooks

Honda Umk 435 E Manual Introduction

Honda Umk 435 E Manual Offers over 60,000 free eBooks, including many classics that are in the public domain. Open Library: Provides access to over 1 million free eBooks, including classic literature and contemporary works. Honda Umk 435 E Manual Offers a vast collection of books, some of which are available for free as PDF downloads, particularly older books in the public domain. Honda Umk 435 E Manual : This website hosts a vast collection of scientific articles, books, and textbooks. While it operates in a legal gray area due to copyright issues, its a popular resource for finding various publications. Internet Archive for Honda Umk 435 E Manual : Has an extensive collection of digital content, including books, articles, videos, and more. It has a massive library of free downloadable books. Free-eBooks Honda Umk 435 E Manual Offers a diverse range of free eBooks across various genres. Honda Umk 435 E Manual Focuses mainly on educational books, textbooks, and business books. It offers free PDF downloads for educational purposes. Honda Umk 435 E Manual Provides a large selection of free eBooks in different genres, which are available for download in various formats, including PDF. Finding specific Honda Umk 435 E Manual, especially related to Honda Umk 435 E Manual, might be challenging as theyre often artistic creations rather than practical blueprints. However, you can explore the following steps to search for or create your own Online Searches: Look for websites, forums, or blogs dedicated to Honda Umk 435 E Manual, Sometimes enthusiasts share their designs or concepts in PDF format. Books and Magazines Some Honda Umk 435 E Manual books or magazines might include. Look for these in online stores or libraries. Remember that while Honda Umk 435 E Manual, sharing copyrighted material without permission is not legal. Always ensure youre either creating your own or obtaining them from legitimate sources that allow sharing and downloading. Library Check if your local library offers eBook lending services. Many libraries have digital catalogs where you can borrow Honda Umk 435 E Manual eBooks for free, including popular titles. Online Retailers: Websites like Amazon, Google Books, or Apple Books often sell eBooks. Sometimes, authors or publishers offer promotions or free periods for certain books. Authors Website Occasionally, authors provide excerpts or short stories for free on their websites. While this might not be the Honda Umk 435 E Manual full book , it can give you a taste of the authors writing style. Subscription Services Platforms like Kindle Unlimited or Scribd offer subscription-based access to a wide range of Honda Umk 435 E Manual eBooks, including some popular titles.

FAQs About Honda Umk 435 E Manual Books

What is a Honda Umk 435 E Manual PDF? A PDF (Portable Document Format) is a file format developed by Adobe that preserves the layout and formatting of a document, regardless of the software, hardware, or operating system used to view or print it. **How do I create a Honda Umk 435 E Manual PDF?** There are several ways to create a PDF: Use software like

Adobe Acrobat, Microsoft Word, or Google Docs, which often have built-in PDF creation tools. Print to PDF: Many applications and operating systems have a "Print to PDF" option that allows you to save a document as a PDF file instead of printing it on paper. Online converters: There are various online tools that can convert different file types to PDF. **How do I edit a Honda Umk 435 E Manual PDF?** Editing a PDF can be done with software like Adobe Acrobat, which allows direct editing of text, images, and other elements within the PDF. Some free tools, like PDFescape or Smallpdf, also offer basic editing capabilities. **How do I convert a Honda Umk 435 E Manual PDF to another file format?** There are multiple ways to convert a PDF to another format: Use online converters like Smallpdf, Zamzar, or Adobe Acrobats export feature to convert PDFs to formats like Word, Excel, JPEG, etc. Software like Adobe Acrobat, Microsoft Word, or other PDF editors may have options to export or save PDFs in different formats. **How do I password-protect a Honda Umk 435 E Manual PDF?** Most PDF editing software allows you to add password protection. In Adobe Acrobat, for instance, you can go to "File" -> "Properties" -> "Security" to set a password to restrict access or editing capabilities. Are there any free alternatives to Adobe Acrobat for working with PDFs? Yes, there are many free alternatives for working with PDFs, such as: LibreOffice: Offers PDF editing features. PDFsam: Allows splitting, merging, and editing PDFs. Foxit Reader: Provides basic PDF viewing and editing capabilities. How do I compress a PDF file? You can use online tools like Smallpdf, ILovePDF, or desktop software like Adobe Acrobat to compress PDF files without significant quality loss. Compression reduces the file size, making it easier to share and download. Can I fill out forms in a PDF file? Yes, most PDF viewers/editors like Adobe Acrobat, Preview (on Mac), or various online tools allow you to fill out forms in PDF files by selecting text fields and entering information. Are there any restrictions when working with PDFs? Some PDFs might have restrictions set by their creator, such as password protection, editing restrictions, or print restrictions. Breaking these restrictions might require specific software or tools, which may or may not be legal depending on the circumstances and local laws.

Find Honda Umk 435 E Manual :

microsoft project training manual

[miele km3464lp ranges owners manual](#)

middle school narrative writing unit

[microscan walk away 96 plus manual](#)

microsoft window 20server deployment planning guide

~~microsoft cluster guide~~

[microsoft office powerpoint examinations](#)

miele dryer machine premier novo user manual

microsoft sql server 2unleashed

~~microsoft project quick reference guide~~

mido m8830 3 76 1 watches owners manual

microsoft powerpoint 2015 manual

midtronics gr1 120 quick manual user guide

midnight in europe english edition

mid lesson practice page b answers

Honda Umk 435 E Manual :

moldflow design guide marcia swan file type free pdf books - Jul 14 2023

web moldflow design guide marcia swan file type free pdf books author repo nead universidadebrasil edu br subject moldflow design guide marcia swan file

moldflow design guide marcia swan pdf pdf vodic - Nov 06 2022

web jul 26 2023 it is your unquestionably own grow old to deed reviewing habit along with guides you could enjoy now is moldflow design guide marcia swan pdf pdf below

moldflow wikipedia - Dec 27 2021

web moldflow is a producer of simulation software for high end plastic injection molding computer aided engineering it is owned by autodesk autodesk stable release is

moldflow design guide marcia swan pdf pdf vodic - Apr 11 2023

web aug 10 2023 moldflow design guide marcia swan pdf pdf this is likewise one of the factors by obtaining the soft documents of this moldflow design guide marcia swan

moldflow design guide marcia swan sibole online - Feb 09 2023

web in order to read or download moldflow design guide marcia swan ebook you need to create a free account download now ebook includes pdf epub and kindle version

moldflow design guide marcia swan pdf download - Jun 13 2023

web moldflow design guide marcia swan moldflow design guide is intended to help practicing engineers solve problems they frequently encounter in the design of

moldflow design guide marcia swan pdf blueskywildlife - Oct 05 2022

web aug 7 2023 design guide marcia swan pdf as one of the most operational sellers here will unconditionally be along with the best options to review polymer blends and alloys

moldflow design guide marcia swan pqr uiaf gov co - Nov 25 2021

web moldflow design guide marcia swan below russian short stories simple language learning 2019 12 21 the experience of reading a story allows us to escape our lives for

moldflow design guide marcia swan - Aug 03 2022

web moldflow design guide marcia swan 2021 02 10 becker daphne moldflow guide vrcworks net moldflow design guide marcia swan moldflow design guide is

moldflow design guide yumpu - Apr 30 2022

web moldflow design guide a resource for plastics engineers first edition edited by jay

moldflow design guide marcia swan 2023 - Dec 07 2022

web moldflow design guide marcia swan engaging learning jun 06 2022 learning is at its best when it is goal oriented contextual interesting challenging and interactive these

moldflow an overview sciencedirect topics - Jan 28 2022

web polymer injection molding gas assisted molding g a a v haagh in encyclopedia of materials science and technology 2001 3 modeling commercial injection molding

ebook moldflow design guide marcia swan free reading idp2 - Sep 04 2022

web aug 22 2023 ebook moldflow design guide marcia swan free reading the complete idiot s guide to graphic design design for democracy south african decor and design

read book moldflow design guide marcia swan pdf for free - Jun 01 2022

web moldflow design guide marcia swan is available in our digital library an online access to it is set as public so you can download it instantly our books collection saves in multiple

moldflow design guide blog trytreats com - Jul 02 2022

web moldflow design guide a resource for plastics engineers first edition edited by jay shoemaker moldflow corporation framingham massachusetts u s a

downloadable free pdfs moldflow design guide marcia swan - Oct 25 2021

web moldflow design guide jan 18 2023 walking in the alps may 30 2021 the second edition of this classic guidebook by kev reynolds on walking and trekking in the alps

moldflow design guide marcia swan florida state university - May 12 2023

web the aim is to prepare practical guide measuring and marking out at that age bathrooms really start to get tired says art donnelly president of legacy design build in mount

moldflow design guide marcia swan portal sombridge edu so - Feb 26 2022

web moldflow design guide marcia swan the wiley handbook of art therapy sep 09 2021 the wiley handbook of art therapy is a collection of original internationally diverse

[moldflow design guide marcia swan pdf](#) - Mar 30 2022

web jun 28 2023 moldflow design guide marcia swan pdf as recognized adventure as skillfully as experience more or less lesson amusement as with ease as arrangement

[examples marcia swan](#) - Aug 15 2023

web moldflow design guide ask to see the pdf proof responsible for content review proofreading and technical editing responsible for typesetting and preparing print ready

[moldflow design guide marcia swan florida state university](#) - Mar 10 2023

web made by the u k based macedonian designer björk s iconic swan dress which once stole the oscar red carpet will headline a london show of bold fashion designs 30 years of

[moldflow design guide marcia swan agenciaojs mincyt gob ar](#) - Sep 23 2021

web guide to injection b moldflow design guide jay shoemaker 2006 01 01 firemanship boy scouts of america 1925 design of steel structures l s negi 2005 katie s

[moldflow design guide marcia swan donner medair org](#) - Jan 08 2023

web the moldflow design guide is intended to help practicing engineers solve problems they encounter frequently in the design of parts and molds and during production

[Şerit testere bıçağı cb 2818 bosch professional](#) - Jul 01 2022

web bant testere bıçağı cb 2818 bim 18tpi2 608 649 000 yerel bir bayi bul Şerit testereler için tüm s şaftlı panter testerelere uyar İnce ve kusursuz kesimler Şerit testere bıçağı ince ve kusursuz kesimler sağlar bim bimetal şerit hatasız sonuçlar sunar

evde bosch türkiye - Apr 29 2022

web akıllı ve verimli ürünlerimiz kolay kullanımı ve ileri teknolojisi sayesinde geniş ürün yelpazesi ile evinizi ısıtma ve sıcak su için özelleştirilmiş çözümler sunar yoğunlaşma teknolojisi güneş enerjisi sistemleri ısı pompaları ve klima çözümleri için hep yanınızdayız İklimlendirme sistemlerine gidin

[bosch yedek akü Şarj cihazları ve fiyatları hepsiburada com](#) - Mar 09 2023

web bosch yedek akü şarj cihazı takılan pilin boyutunu otomatik şekilde algılayarak şarj işlemini gerçekleştirir ayrıca led ekranı ve manuel kontrol düğmeleri ile kullanıcılara manuel şekilde ayarlama imkânı da sunar 6v 0 8a 12v 0 8a 12v 3 8a ve 12v 3 8a gibi farklı güç seçenekleri ayarlanabilir

bosch bujiler ve Ürünleri hepsiburada com - Jul 13 2023

web bosch bujiler ve ürünleri uygun fiyat fırsatlarıyla burada tıkla en ucuz bosch bujiler ayağına gelsin almanya doğumlu

robert bosch un 1886 yılında kurduğu bosch gmbh yaşam için teknoloji sloganı ile üretimlerini sürdürmektedir

Şarjlı dikey süpürge modelleri ve fiyatları bosch ev aletleri - Aug 14 2023

web serie 8 Şarjlı süpürge unlimited gen2 proparquet siyah yüksek performans bosch un yeni nesil kablosuz süpürgesi kablolu süpürge kadar güçlü led ışıklı allfloor highpower başlık yer ışıkları ile geliştirilmiş temizleme performansı turbospin motor daha hızlı daha hafif ve daha etkili temizlik performansı

bosch buji fiyatları ve kampanyaları trendyol - Jun 12 2023

web bosch buji çeşitlerini ve kullananların yorumlarını incele trendyol a özel indirimli fiyatları ve kampanyaları kaçırma İndirim kuponlarım trendyol da satış yap

bosch su sebilleri ve fiyatları hepsiburada com - Oct 04 2022

web bosch su sebilleri uygun fiyat ve indirim fırsatlarıyla burada tıkla en ucuz bosch su sebilleri ayağına gelsin bosch su sebili en gelişmiş sistemler ile hayata geçirilmiş bir üründür

de 24000 tıpı lokomotiflere ait bosch tb 72 tıpı - Jan 27 2022

web lokomotiflere ait bosch tb 72 tipi marú motorunun teknik úartnameye uygun olarak tamir ve bakım hizmeti satın alınacaktır İhale kayıt no 2023 1103402 İhale gün ve saati 07 11 2023 10 30 İdarenin a adresi tcdd taúmacılık a ù afyonkarahisar bölge müdürlüğü teknik hizmetler servis

bosch izle dizibox - Feb 25 2022

web bosch titus welliver los angeles polis departmanı cinayet masası dedektifdir bir seri katilin cinayet suçlaması ile mahkemede yargılanması sırasında dedektifimiz 13 yaşındaki bir çocuğun cinayetini çözmeye çalışmaktadır

yaşam için teknoloji bosch ev aletleri - Nov 05 2022

web bosch ev aletleri ev işlerini daha da kolaylaştırmak günlük yaşamı güzelleştirmek için üretilir bosch un faaliyetlerinin temelinde yorucu ev işlerinin azaltılmasına katkı sağlayan ve böylece yaşam kalitesini yükselten teknolojiler yer alır

[maison ju maison ju lucky charms maisonju tr](#) - Sep 15 2023

web Özel günlerin vazgeçilmezi maison ju kendinden emin stil sahibi kadınlar için tasarlanan yeni koleksiyonunda heykelsi ve zarif formlar ile couture şıklığını davetlere taşıyor

bosch elektrikli süpürge modelleri fiyatları teknosa - Feb 08 2023

web bosch elektrikli süpürge modellerine kategorimiz üzerinden ulaşabilir ve sizin için en uygun olan süpürgeyi sepetinize ekleyebilirsiniz bosch torbasız elektrikli süpürge küçük ev aletleri için en çok tercih edilen markalardan biri olan bosch elektrikli süpürge modelleri ile pek çok kişi tarafından büyük bir ilgi görüyor

ju İstanbul fiyatları gelinlik İstanbul düğün com - Mar 29 2022

web ju İstanbul gelinlik markasını 2013 yılında kurduk İki büyük kızın en özel hayalini gerçekleştirme kararı ile kurulan

modaevimizde çok sayıda kadının rüyalarının gerçekleşmesine aracı oluyoruz biz iki tasarımcı olarak uçuşan elbiselerimiz gece kıyafetlerimiz gelinliklerimiz aksesuarlarımız ve iyi hissettiren

Şirketimiz bosch türkiye - Dec 06 2022

web bosch grubu nun türkiye deki lokomotif şirketi olan bosch sanayi ve ticaret a Ş ağırlıklı olarak mobilite sektöründe üretim geliştirme satış ve pazarlama faaliyetlerinde bulunmaktadır bursa organize sanayi bölgesi ndeki üç fabrikada dünyanın önde gelen otomotiv üreticileri için güç aktarma Çözümleri

bosch akü 12v 60ah s4 silver serisi 540 cca hepsiburada com - May 31 2022

web bosch akü 12v 60ah s4 silver serisi 540 cca kapasite 60ah kalkış akımı 540a tr voltaj 12v pil tipi ücretsiz bakım polarite kutu boyutu l2 242x175x190 uzunluk mm 242 genişlik mm 175 boyut mm 190 garanti 24 ay Üretici kodu bosch s4005

yüksek dayanıklılığa sahip yeni bosch evo bujileri - Jan 07 2023

web sep 11 2020 yeni bosch evo buji turbo şarjlı benzinli direkt enjeksiyonlu motorların güvenilir bir şekilde ateşlenmesini sağlamak üzere geliştirildi mega vuruş durumlarında ortaya çıkabilecek basınç artışıyla başa çıkabilmesini sağlamak için termomekanik mekanik ve elektronik açıdan son derece sağlamdır

ana sayfa bosch türkiye - May 11 2023

web bosch çözümleri detaylı bilgi global web sitemizde haberler sosyal medya hesaplarımız İletişim bosch ta kariyer detayl

dünya genelindeki web siteleri bosch türkiye - Aug 02 2022

web tüm ülkelerdeki bosch web sitelerinin tamamının listesi bosch un global üretim mühendislik ve satış ağı dünyanın hemen hemen her ülkesini kapsıyor

bosch marka Ürünler en uygun fiyatlarla mediamarkt - Apr 10 2023

web avrupa nın 1 numaralı beyaz eşya markası olan bosch un kuruluşu 1886 yılına uzanır o günden bugüne evinizin hemen hemen her noktasında hayatınızı kolaylaştırırken şıklıktan da ödün vermeyen bosch beyaz eşya ürünleri üretimin her aşamasında yaptığı kalite kontrol testleriyle süreçte hiçbir detayı şansa

buzdolapları bosch ev aletleri - Sep 03 2022

web geniş kapasiteli bosch xxl buzdolaplarında yiyecek ve içecekleriniz için bol bol yer var vitafresh teknolojisi ile besinlerinizin vitamin değerini koruyan bosch xxl ve xl buzdolapları ile tanışın Ürünleri keşfedin

bad bunny ft raww alejandro party 360 visualizer un - Mar 30 2022

web may 5 2022 bad bunny ft raww alejandro party 360 visualizer un verano sin ti bad bunny 46 4m subscribers 123m views 1 year ago unveranosinti badbunny party bad bunny ft raww alejandro

party panic indir - Sep 04 2022

web feb 15 2023 party panic ücretsiz ve güvenli indirme en güncel party panic sürümü parti paniği partilerini geliştirmek

için bir yol arayan insanlar için mükem

party panic İndir Ücretsiz oyun İndir ve oyna tamindir - Mar 10 2023

web feb 18 2022 party panic İndir windows mac ve linux üzerinde oynanabilen party panic steam üzerinden satın alınıp indirilebiliyor oldukça cazip bir fiyat etiketine sahip olan oyun beğenileri toplamaya da devam ediyor

party türkçe Çeviri bab la İngilizce türkçe sözlük - Jan 28 2022

web Ücretsiz İngilizce türkçe sözlükte party ın karşılığı ve başka pek çok türkçe çeviri bab la online dictionaries vocabulary conjugation grammar share

house party fiyatları ucuza satın al enucuzoyun com - Jul 02 2022

web jul 15 2022 house party 90 ların klasik komedilerinden esinlenen üzerine tıklamalı bir macera ile karıştırılmış açık uçlu bir sosyal simülatördür her karar hikayenizi değiştirir ve her karakterin ortaya çıkaracağı bir şey vardır pantolonunu çıkarman için bir düğme de var

yally party party tiktok remix lyrics youtube - Jul 14 2023

web dec 30 2022 share 423k views 8 months ago partyparty tajtracks zoolander follow our official spotify playlist tajtracks lnk to spotify tiktok spotify playlist spoti fi 32icmvp yally

parti eğlence vikipedi - Feb 09 2023

web parti eğlence bir parti bir insan topluluğudur bir etkinlik ve festivalin parçası veya özel bir günün anma törenidir toplumsallaşma sohbet eğlence amacı ile ev sahibi tarafından davet edilir bir partide tipik olarak yiyecek ve içecekler genellikle müzik dans veya diğer eğlence türleri yer alır 1 pek çok batı

tureng party türkçe İngilizce sözlük - Aug 03 2022

web İngilizce türkçe online sözlük tureng kelime ve terimleri çevir ve farklı aksanlarda sesli dinleme party taraf national salvation party milli selametpartisi ne demek türkçe İngilizce türkçe İngilizce almanca İngilizce fransızca İngilizce İspanyolca İngilizce İngilizce eşanlam eşanlam hakkımızda araçlar kaynaklar İletişim

party İngilizce türkçe sözlük cambridge dictionary - Dec 07 2022

web party İngilizce türkçe sözlük cambridge dictionary İngilizce türkçe sözlükte party ın çevirisi party noun c uk 'pɑ:ti us event a1 an event where people enjoy themselves by talking eating drinking and dancing eğlence cümbüş parti a birthday party we re having a party to celebrate the occasion politics b1

chris brown party official video ft usher gucci mane - Oct 05 2022

web dec 15 2016 chris brown 25 4m subscribers subscribe 313m views 6 years ago chrisbrown guccimane usher watch the official music video for party by chris brown featuring usher gucci mane chris brown

dj carisma party party party lyrics ft dej loaf chris brown - Aug 15 2023

web oct 27 2019 dj carisma party party party lyrics video ft dej loaf chris brown nabis lyrics audio for party party party by dj carisma dej loaf chris brown nabis lyrics

party party party İndir Ücretsiz oyun İndir ve oyna tamindir - Jun 13 2023

web nov 16 2018 party party party iphone ve ipad cihazlar üzerinde oynayabileceğimiz eğlenceli ve yenilikçi bir bulmaca oyunu son zamanlarda birbirinin aynısı olmaya başlayan oyunlar arasından sıyrılan party party party popüler japon bulmaca oyunu bridges a farklı bir bakış açısı getirerek ortaya denemeye değer bir yapım çıkartıyor

en İyi 12 İstanbul parti organizasyon fiyatları ve tavsiyeleri - Jan 08 2023

web İstanbul parti organizasyon fiyatları 2023 yılı için ortalama fiyat aralığı 6 890 tl ile 8 420 tl dir hizmet kapsamına göre özel fiyat almak için profesyonellerimiz ile iletişime geçebilir İstanbul parti organizasyon fiyatları ve paketleri

dance moms party party party lyrics youtube - May 12 2023

web aug 4 2012 dance moms lifetime tvlyrics to the aldcs party party party enjoy none of the content in this video belongs to me all belongs to lifetime tv and other pr

sasha party party party partyersatzsong offzielles youtube - Apr 11 2023

web nov 9 2020 sasha party party party partyersatzsong offzielles musikvideo single hier streamen und downloaden umg lnk to partymehr infos über sasha

party panic ürününü satın al xbox - Nov 06 2022

web party panic çılgın bir çok oyunculu parti oyunudur 30 dan fazla minioyunda yerelde ve internet üzerinden arkadaşlarınızla yarışın ya da belki yeni kutu oyunu modunda oynamak acımasız engelli koşu da yarışmak ya da hazine

party cambridge İngilizce sözlüğü ndeki anlamı - Jun 01 2022

web party anlam tanım party nedir 1 a social event at which a group of people meet to talk eat drink dance etc often in order daha fazlasını öğren

party nedir ne demek - Dec 27 2021

web party nedir ve party ne demek sorularına hızlı cevap veren sözlük sayfası party anlamı party türkçesi party nnd *party wikipedia* - Apr 30 2022

web a party is a gathering of people who have been invited by a host for the purposes of socializing conversation recreation or as part of a festival or other commemoration or celebration of a special occasion a party will often feature food and beverages and often conversation music dancing or other forms of entertainment

party türkçe Çeviri bab la İngilizce türkçe sözlük - Feb 26 2022

web türkçe deki party kelimesinin çevirisi nedir en volume up party tr volume up taraf Çeviriler telaffuz cümleler Çeviri cümle kalıpları open in new en party türkçe çeviri volume up party isim tr volume up taraf parti kutlama volume up birthday

party isim tr volume up doğum günü partisi volume up dinner party isim tr volume up