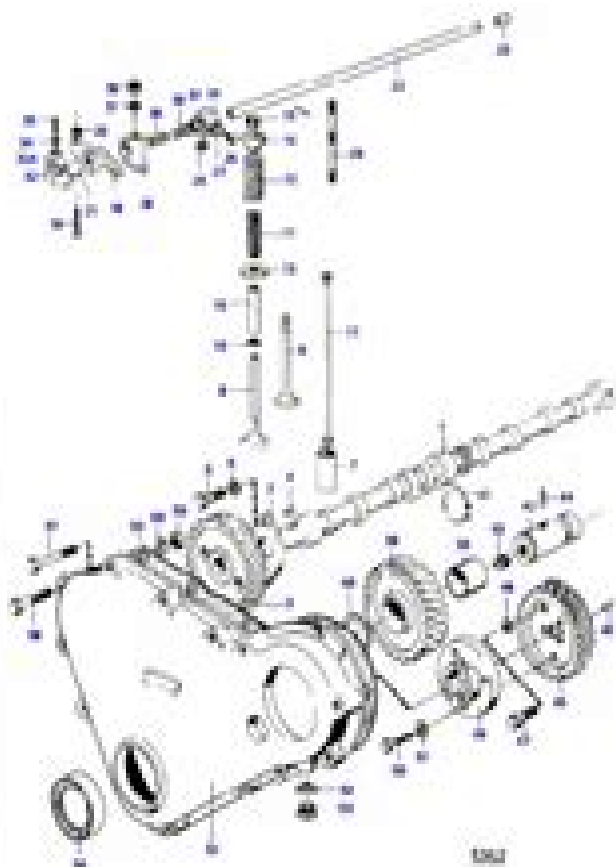


Accessories



OPERATOR'S MANUAL 47000 744000-01-0001-0000



Accessories

Accessories

REF.	PART NO.	QTY	DESCRIPTION	REF. NO.	NOTES
1	47000-01-0001-0000	1	Camshaft		
2	47000-01-0001-0000	1	Camshaft		
3	47000-01-0001-0000	1	Camshaft		
4	47000-01-0001-0000	1	Camshaft		
5	47000-01-0001-0000	1	Camshaft		
6	47000-01-0001-0000	1	Camshaft		
7	47000-01-0001-0000	1	Camshaft		
8	47000-01-0001-0000	1	Camshaft		
9	47000-01-0001-0000	1	Camshaft		
10	47000-01-0001-0000	1	Camshaft		
11	47000-01-0001-0000	1	Camshaft		
12	47000-01-0001-0000	1	Camshaft		
13	47000-01-0001-0000	1	Camshaft		
14	47000-01-0001-0000	1	Camshaft		
15	47000-01-0001-0000	1	Camshaft		
16	47000-01-0001-0000	1	Camshaft		
17	47000-01-0001-0000	1	Camshaft		
18	47000-01-0001-0000	1	Camshaft		
19	47000-01-0001-0000	1	Camshaft		
20	47000-01-0001-0000	1	Camshaft		
21	47000-01-0001-0000	1	Camshaft		
22	47000-01-0001-0000	1	Camshaft		
23	47000-01-0001-0000	1	Camshaft		
24	47000-01-0001-0000	1	Camshaft		
25	47000-01-0001-0000	1	Camshaft		
26	47000-01-0001-0000	1	Camshaft		
27	47000-01-0001-0000	1	Camshaft		
28	47000-01-0001-0000	1	Camshaft		
29	47000-01-0001-0000	1	Camshaft		
30	47000-01-0001-0000	1	Camshaft		
31	47000-01-0001-0000	1	Camshaft		
32	47000-01-0001-0000	1	Camshaft		
33	47000-01-0001-0000	1	Camshaft		
34	47000-01-0001-0000	1	Camshaft		
35	47000-01-0001-0000	1	Camshaft		
36	47000-01-0001-0000	1	Camshaft		
37	47000-01-0001-0000	1	Camshaft		
38	47000-01-0001-0000	1	Camshaft		
39	47000-01-0001-0000	1	Camshaft		
40	47000-01-0001-0000	1	Camshaft		
41	47000-01-0001-0000	1	Camshaft		
42	47000-01-0001-0000	1	Camshaft		
43	47000-01-0001-0000	1	Camshaft		
44	47000-01-0001-0000	1	Camshaft		
45	47000-01-0001-0000	1	Camshaft		
46	47000-01-0001-0000	1	Camshaft		
47	47000-01-0001-0000	1	Camshaft		
48	47000-01-0001-0000	1	Camshaft		
49	47000-01-0001-0000	1	Camshaft		
50	47000-01-0001-0000	1	Camshaft		
51	47000-01-0001-0000	1	Camshaft		
52	47000-01-0001-0000	1	Camshaft		
53	47000-01-0001-0000	1	Camshaft		
54	47000-01-0001-0000	1	Camshaft		
55	47000-01-0001-0000	1	Camshaft		
56	47000-01-0001-0000	1	Camshaft		
57	47000-01-0001-0000	1	Camshaft		
58	47000-01-0001-0000	1	Camshaft		
59	47000-01-0001-0000	1	Camshaft		
60	47000-01-0001-0000	1	Camshaft		
61	47000-01-0001-0000	1	Camshaft		
62	47000-01-0001-0000	1	Camshaft		
63	47000-01-0001-0000	1	Camshaft		
64	47000-01-0001-0000	1	Camshaft		
65	47000-01-0001-0000	1	Camshaft		
66	47000-01-0001-0000	1	Camshaft		
67	47000-01-0001-0000	1	Camshaft		
68	47000-01-0001-0000	1	Camshaft		
69	47000-01-0001-0000	1	Camshaft		
70	47000-01-0001-0000	1	Camshaft		
71	47000-01-0001-0000	1	Camshaft		
72	47000-01-0001-0000	1	Camshaft		
73	47000-01-0001-0000	1	Camshaft		
74	47000-01-0001-0000	1	Camshaft		
75	47000-01-0001-0000	1	Camshaft		
76	47000-01-0001-0000	1	Camshaft		
77	47000-01-0001-0000	1	Camshaft		
78	47000-01-0001-0000	1	Camshaft		
79	47000-01-0001-0000	1	Camshaft		
80	47000-01-0001-0000	1	Camshaft		
81	47000-01-0001-0000	1	Camshaft		
82	47000-01-0001-0000	1	Camshaft		
83	47000-01-0001-0000	1	Camshaft		
84	47000-01-0001-0000	1	Camshaft		
85	47000-01-0001-0000	1	Camshaft		
86	47000-01-0001-0000	1	Camshaft		
87	47000-01-0001-0000	1	Camshaft		
88	47000-01-0001-0000	1	Camshaft		
89	47000-01-0001-0000	1	Camshaft		
90	47000-01-0001-0000	1	Camshaft		
91	47000-01-0001-0000	1	Camshaft		
92	47000-01-0001-0000	1	Camshaft		
93	47000-01-0001-0000	1	Camshaft		
94	47000-01-0001-0000	1	Camshaft		
95	47000-01-0001-0000	1	Camshaft		
96	47000-01-0001-0000	1	Camshaft		
97	47000-01-0001-0000	1	Camshaft		
98	47000-01-0001-0000	1	Camshaft		
99	47000-01-0001-0000	1	Camshaft		
100	47000-01-0001-0000	1	Camshaft		

OPERATOR'S MANUAL 47000 744000-01-0001-0000



Accessories

# Md21b Workshop Manual

**N Colangelo**



**Md21b Workshop Manual:**

This is likewise one of the factors by obtaining the soft documents of this **Md21b Workshop Manual** by online. You might not require more become old to spend to go to the ebook commencement as skillfully as search for them. In some cases, you likewise attain not discover the pronouncement Md21b Workshop Manual that you are looking for. It will unconditionally squander the time.

However below, as soon as you visit this web page, it will be therefore categorically easy to get as capably as download lead Md21b Workshop Manual

It will not consent many era as we tell before. You can reach it even if perform something else at house and even in your workplace. thus easy! So, are you question? Just exercise just what we have enough money under as capably as review **Md21b Workshop Manual** what you like to read!

<https://staging.conocer.cide.edu/book/browse/index.jsp/i%20dont%20wanna%20hear.pdf>

## **Table of Contents Md21b Workshop Manual**

1. Understanding the eBook Md21b Workshop Manual
  - The Rise of Digital Reading Md21b Workshop Manual
  - Advantages of eBooks Over Traditional Books
2. Identifying Md21b Workshop Manual
  - Exploring Different Genres
  - Considering Fiction vs. Non-Fiction
  - Determining Your Reading Goals
3. Choosing the Right eBook Platform
  - Popular eBook Platforms
  - Features to Look for in an Md21b Workshop Manual
  - User-Friendly Interface
4. Exploring eBook Recommendations from Md21b Workshop Manual

- Personalized Recommendations
  - Md21b Workshop Manual User Reviews and Ratings
  - Md21b Workshop Manual and Bestseller Lists
5. Accessing Md21b Workshop Manual Free and Paid eBooks
    - Md21b Workshop Manual Public Domain eBooks
    - Md21b Workshop Manual eBook Subscription Services
    - Md21b Workshop Manual Budget-Friendly Options
  6. Navigating Md21b Workshop Manual eBook Formats
    - ePub, PDF, MOBI, and More
    - Md21b Workshop Manual Compatibility with Devices
    - Md21b Workshop Manual Enhanced eBook Features
  7. Enhancing Your Reading Experience
    - Adjustable Fonts and Text Sizes of Md21b Workshop Manual
    - Highlighting and Note-Taking Md21b Workshop Manual
    - Interactive Elements Md21b Workshop Manual
  8. Staying Engaged with Md21b Workshop Manual
    - Joining Online Reading Communities
    - Participating in Virtual Book Clubs
    - Following Authors and Publishers Md21b Workshop Manual
  9. Balancing eBooks and Physical Books Md21b Workshop Manual
    - Benefits of a Digital Library
    - Creating a Diverse Reading Collection Md21b Workshop Manual
  10. Overcoming Reading Challenges
    - Dealing with Digital Eye Strain
    - Minimizing Distractions
    - Managing Screen Time
  11. Cultivating a Reading Routine Md21b Workshop Manual
    - Setting Reading Goals Md21b Workshop Manual
    - Carving Out Dedicated Reading Time
  12. Sourcing Reliable Information of Md21b Workshop Manual

- Fact-Checking eBook Content of Md21b Workshop Manual
  - Distinguishing Credible Sources
13. Promoting Lifelong Learning
- Utilizing eBooks for Skill Development
  - Exploring Educational eBooks
14. Embracing eBook Trends
- Integration of Multimedia Elements
  - Interactive and Gamified eBooks

### **Md21b Workshop Manual Introduction**

In the digital age, access to information has become easier than ever before. The ability to download Md21b Workshop Manual has revolutionized the way we consume written content. Whether you are a student looking for course material, an avid reader searching for your next favorite book, or a professional seeking research papers, the option to download Md21b Workshop Manual has opened up a world of possibilities. Downloading Md21b Workshop Manual provides numerous advantages over physical copies of books and documents. Firstly, it is incredibly convenient. Gone are the days of carrying around heavy textbooks or bulky folders filled with papers. With the click of a button, you can gain immediate access to valuable resources on any device. This convenience allows for efficient studying, researching, and reading on the go. Moreover, the cost-effective nature of downloading Md21b Workshop Manual has democratized knowledge. Traditional books and academic journals can be expensive, making it difficult for individuals with limited financial resources to access information. By offering free PDF downloads, publishers and authors are enabling a wider audience to benefit from their work. This inclusivity promotes equal opportunities for learning and personal growth. There are numerous websites and platforms where individuals can download Md21b Workshop Manual. These websites range from academic databases offering research papers and journals to online libraries with an expansive collection of books from various genres. Many authors and publishers also upload their work to specific websites, granting readers access to their content without any charge. These platforms not only provide access to existing literature but also serve as an excellent platform for undiscovered authors to share their work with the world. However, it is essential to be cautious while downloading Md21b Workshop Manual. Some websites may offer pirated or illegally obtained copies of copyrighted material. Engaging in such activities not only violates copyright laws but also undermines the efforts of authors, publishers, and researchers. To ensure ethical downloading, it is advisable to utilize reputable websites that prioritize the legal distribution of content. When downloading Md21b Workshop Manual, users should also consider the potential security risks associated with online

platforms. Malicious actors may exploit vulnerabilities in unprotected websites to distribute malware or steal personal information. To protect themselves, individuals should ensure their devices have reliable antivirus software installed and validate the legitimacy of the websites they are downloading from. In conclusion, the ability to download Md21b Workshop Manual has transformed the way we access information. With the convenience, cost-effectiveness, and accessibility it offers, free PDF downloads have become a popular choice for students, researchers, and book lovers worldwide. However, it is crucial to engage in ethical downloading practices and prioritize personal security when utilizing online platforms. By doing so, individuals can make the most of the vast array of free PDF resources available and embark on a journey of continuous learning and intellectual growth.

### **FAQs About Md21b Workshop Manual Books**

**What is a Md21b Workshop Manual PDF?** A PDF (Portable Document Format) is a file format developed by Adobe that preserves the layout and formatting of a document, regardless of the software, hardware, or operating system used to view or print it. **How do I create a Md21b Workshop Manual PDF?** There are several ways to create a PDF: Use software like Adobe Acrobat, Microsoft Word, or Google Docs, which often have built-in PDF creation tools. Print to PDF: Many applications and operating systems have a "Print to PDF" option that allows you to save a document as a PDF file instead of printing it on paper. Online converters: There are various online tools that can convert different file types to PDF. **How do I edit a Md21b Workshop Manual PDF?** Editing a PDF can be done with software like Adobe Acrobat, which allows direct editing of text, images, and other elements within the PDF. Some free tools, like PDFescape or Smallpdf, also offer basic editing capabilities. **How do I convert a Md21b Workshop Manual PDF to another file format?** There are multiple ways to convert a PDF to another format: Use online converters like Smallpdf, Zamzar, or Adobe Acrobats export feature to convert PDFs to formats like Word, Excel, JPEG, etc. Software like Adobe Acrobat, Microsoft Word, or other PDF editors may have options to export or save PDFs in different formats. **How do I password-protect a Md21b Workshop Manual PDF?** Most PDF editing software allows you to add password protection. In Adobe Acrobat, for instance, you can go to "File" -> "Properties" -> "Security" to set a password to restrict access or editing capabilities. Are there any free alternatives to Adobe Acrobat for working with PDFs? Yes, there are many free alternatives for working with PDFs, such as: LibreOffice: Offers PDF editing features. PDFsam: Allows splitting, merging, and editing PDFs. Foxit Reader: Provides basic PDF viewing and editing capabilities. How do I compress a PDF file? You can use online tools like Smallpdf, ILovePDF, or desktop software like Adobe Acrobat to compress PDF files without significant quality loss. Compression reduces the file size, making it easier to share and download. Can I fill out forms in a PDF file? Yes, most PDF viewers/editors like Adobe Acrobat, Preview (on Mac),

or various online tools allow you to fill out forms in PDF files by selecting text fields and entering information. Are there any restrictions when working with PDFs? Some PDFs might have restrictions set by their creator, such as password protection, editing restrictions, or print restrictions. Breaking these restrictions might require specific software or tools, which may or may not be legal depending on the circumstances and local laws.

### **Find Md21b Workshop Manual :**

[i dont wanna hear](#)

[i see by my outfit](#)

[i hate the man who runs this bar](#)

[i love you but you drive me crazy](#)

**i victoria strange**

~~[i touch the earth the earth touches me](#)~~

[i strahd](#)

**i like food;pb;1996**

~~[i shall not live in vain](#)~~

**i learn to read and write the way i learn to talk**

~~[i dig fobilsreal adventure for kids](#)~~

[i like to help my mommy](#)

**i only made up the roses**

**i can read about creatures of the night**

**i love art ii**

### **Md21b Workshop Manual :**

**chemistry physical setting review 2010 anwer key pdf** - Oct 04 2022

web aug 11 2023 firstly the physical setting in chemistry is a key concept that helps us comprehend the physical world and its interactions at the molecular level indeed the

*chemistry physical setting review 2010 anwer key* - Jan 27 2022

web chemistry the physical setting brief review in topic about this book separate answer key contents answers for review and practice questions answers for



*chemistry physical setting review 2010 anwer key pdf* - Jul 01 2022

web mar 29 2023 chemistry physical setting review 2010 anwer key and numerous book collections from fictions to scientific research in any way accompanied by them is this

**chemistry physical setting review 2010 anwer key copy** - Dec 26 2021

web chemistry physical setting review 2010 anwer key author reserve lasd org 2023 08 04 01 39 14 subject chemistry physical setting review 2010 anwer key keywords

*chemistry the physical setting 1st edition solutions and* - May 11 2023

web chemistry the physical setting prentice hall brief review 9780328870462 solutions and answers quizlet find step by step solutions and answers to chemistry the

chemistry physical setting review 2010 anwer key pdf copy - Aug 02 2022

web jul 4 2023 chemistry physical setting review 2010 anwer key 2 8 downloaded from uniport edu ng on july 4 2023 by guest stress testing and incorporates the concept of

*reference tables for physical setting chemistry* - Mar 29 2022

web chemistry physical setting review 2010 anwer key the atheist republic team a growing atheist group le live marseille aller dans les plus grandes soirées

**chemistry the physical setting answer key yumpu** - Aug 14 2023

web share from page title 999 9999

**brief review in chemistry the physical setting pearson** - Jun 12 2023

web our resource for chemistry the physical setting includes answers to chapter exercises as well as detailed information to walk you through the process step by step with expert

**chemistry the physical setting prentice hall brief review** - Apr 10 2023

web aug 29 2013 regents examination in physical setting chemistry br january 2010 br chart for converting total test raw scores to br final examination scores scale

**chemistryphysicalsettingreview2010anwerkey pdf** - Feb 25 2022

web dec 25 2022 chemistry physical setting review 2010 anwer key below computational pharmaceuticals defang ouyang 2015 05 18 molecular modeling techniques have been

**chemistry physical setting review 2010 anwer key pdf pdf old** - Nov 05 2022

web may 9 2023 chemistry physical setting review 2010 anwer key 2 3 downloaded from uniport edu ng on may 9 2023 by guest more joseph s levine kenneth r miller 1 773

**chemistry physical setting review 2010 anwer key** - Oct 24 2021

**chemistry the physical setting answer key 2005 google books** - Dec 06 2022

web chemistry physical setting review 2010 anwer key pdf pdf old thecarguy com au created date 9 7 2023 3 45 34 am

**download free chemistry physical setting review 2010 anwer key** - May 31 2022

web chemistry physical setting review 2010 anwer key is available in our digital library an online access to it is set as public so you can download it instantly our digital library

**chemistry physical setting review 2010 anwer key uniport edu** - Apr 29 2022

web 16 subject chemistry physical setting review 2010 anwer key chemistry physical setting review 2010 anwer key yvc moeys gov kh chemistry physical setting review 2010

**chemistry the physical setting answer key yumpu** - Jul 13 2023

web chemistry the physical setting brief review in topic about this book separate answer key contents answers for review and practice questions answers for

chemistry the physical setting 2013 answer key goodreads - Jan 07 2023

web twelve independent units supported by numerous illustrations sample problems vocabulary and review questions offer students comprehensive preparation for the

**physical setting chemistry answer key muzing org** - Sep 03 2022

web jun 26 2023 it is not re the costs its more or less what you need currently this chemistry physical setting review 2010 anwer key pdf as one of the most lively

**chemistry physical setting answer key** - Feb 08 2023

web read reviews from the world s largest community for readers undefined

brief review in chemistry the physical setting pearson education - Nov 24 2021

web chemistry the physical setting brief review in topic about this book separate answer key contents answers for review and practice questions answers for

*brief review in chemistry the physical setting pdf4pro* - Sep 22 2021

physical setting chemistry jmap yumpu - Mar 09 2023

web chemistry the physical setting 9780328988587 quizlet 5 days ago quizlet com web find step by step solutions and answer s to chemistry the physical setting

**cahier montessori 3c grammaire et conjugaison conforme aux** - Jun 15 2023

web l ensemble des cahiers couvrent les apprentissages de la lecture tous les phonèmes graphèmes l écriture cursive le vocabulaire l orthographe la grammaire et

**cahier montessori 3c grammaire et conjugaison con pdf pdf** - Dec 09 2022

web 4 cahier montessori 3c grammaire et conjugaison con 2022 10 26 and other publications this is his first book current research in bilingualism and bilingual

**cahier montessori 3c grammaire et conjugaison conforme aux** - Dec 29 2021

**cahier montessori 3a grammaire et conjugaison con copy** - May 02 2022

web cahiers a b et c le cahier 3c est donc à la suite des cahiers 3a et 3b cette collection de cahiers pour l'enfant s'appuie sur la pédagogie montessori et la méthode orton

cahier montessori 3c grammaire et conjugaison con pdf - Oct 07 2022

web 2 cahier montessori 3a grammaire et conjugaison con 2022 01 28 et d'éducateurs montessori ils ont été testés auprès d'enfants dans des classes bilingues ou non ils

**cahier montessori 3b grammaire et conjugaison conforme aux** - Feb 28 2022

web grammaire et conjugaison ce document fait partie d'une série de cahiers que nous avons conçus pour accompagner la progression de l'enfant dans la langue française la série 3

*cahier montessori 3c grammaire et conjugaison conforme aux* - Sep 18 2023

web elliotdeon cahier montessori 3c grammaire et conjugaison conforme télécharger accord sujet verbe ce1 en ligne accord sujet cahier montessori 3c grammaire et

*cahier montessori 3c grammaire et conjugaison con* - Sep 06 2022

web cahier montessori 3c grammaire et conjugaison con downloaded from dotnbnm.com by guest kadence wise the modern invention of information macmillan accused of

cahier montessori 3c grammaire et conjugaison conforme aux - Aug 17 2023

web cahier montessori 3c grammaire et conjugaison conforme aux programmes cp ce1 et ce2 broché 20 octobre 2015 ce document fait partie d'une série de cahiers que

**cahier montessori 3a grammaire et conjugaison google books** - Apr 01 2022

web aug 18 2023 thenewmirror cahier montessori 3c grammaire et conjugaison conforme aux programmes cp ce1 et ce2 cahier du citoyen enseignement moral et civique

mon grand cahier montessori pour écrire sans fautes - Mar 12 2023

web sep 3 2023 of guides you could enjoy now is cahier montessori 3c grammaire et conjugaison con pdf below le français noémie d'esclaires 2020 09 24 cahier

**ce1 montessori la grammaire et la conjugaison cours et cahier** - Nov 08 2022

web cahier montessori 3a grammaire et conjugaison ce document fait partie d une série de cahiers que nous avons conçus pour accompagner la progression de l enfant dans la

**cahier montessori 3c grammaire et conjugaison con pdf** - Jul 16 2023

web un cahier 3 pour l éducateur intitulé cahier 3 corrections et ensuite une série de cahiers par enfant gaucher ou droitier cahier montessori 3c grammaire et

**cahier montessori 3c grammaire et conjugaison conforme aux** - Oct 27 2021

*cahier montessori 3b grammaire et conjugaison google books* - Jan 10 2023

web cahier montessori 3c grammaire et conjugaison con cahier montessori 3c grammaire et conjugaison con 2 downloaded from dev awesomedoodle com on 2019

conjugaison cycle 2 montessori mais pas que - Feb 11 2023

web ce cahier montessori de grammaire et de conjugaison a été spécialement conçu pour faciliter l apprentissage il est composé de 14 notions conformes au programme de

cahier montessori 3c grammaire et conjugaison con pdf dotnbm - Jun 03 2022

web la série 3 est divisée en trois cahiers a b et c le cahier 3b est donc entre les cahiers 3a et 3c cette collection de cahiers pour l enfant s appuie sur la pédagogie montessori

*cahier montessori 3a grammaire et conjugaison conforme aux* - Aug 05 2022

web montessori 3b grammaire et conjugaison ce document fait partie d une série de cahiers que nous avons conçus pour accompagner la progression de l enfant dans la langue

cahier montessori 3a grammaire et conjugaison con full pdf - Nov 27 2021

**pédagogie montessori grammaire et conjugaison laia** - May 14 2023

web cahier montessori 3a grammaire et conjugaison ce document fait partie d une série de cahiers que nous avons conçus pour accompagner la progression de l enfant dans la

**cahier montessori 3a grammaire et conjugaison conforme aux** - Apr 13 2023

web la série 3 est divisée en trois cahiers a b et c le cahier 3b est donc entre les cahiers 3a et 3c cette collection de cahiers pour l enfant s appuie sur la pédagogie montessori

**cahier montessori 3a grammaire et conjugaison con** - Jul 04 2022

web la série 3 est divisée en trois cahiers a b et c le cahier 3a est donc avant les cahiers 3b et 3c cette collection de cahiers pour l enfant s appuie sur la pédagogie

**cahier montessori 3a grammaire et conjugaison con download** - Jan 30 2022

web cahier montessori 3c grammaire et conjugaison conforme aux programmes cp ce1 et ce2 by murielle lefevre grandir son rythme april 21st 2020 le mardi 5 février nous

[ctl sunset columbia university](#) - Mar 19 2022

web 212 butler library 535 west 114th street new york ny 10027

**the struggle for modern tibet the autobiography of tashi** - Dec 28 2022

web paperback 32 99 9 used from 10 47 6 new from 32 99 this captivating autobiography by a tibetan educator and former political prisoner is full of twists and turns born in 1929 in a tibetan village tsering developed a strong dislike of his country s theocratic ruling elite

*the struggle for modern tibet the autobiography of tashi* - Mar 31 2023

web aug 1 2000 the struggle for modern tibet the autobiography of tashi tsering by melvyn goldstein william siebenschuh and tashi tsering xi pp 27 95 elliot sperling journal of asian studies 2000 59 3 728 729 doi org 10 2307 2658969 share tools the text of this article is only available as a pdf

**the struggle for modern tibet the autobiography of tashi tsering** - May 01 2023

web jan 1 2001 tashi tsering melvyn c goldstein william r siebenschuh 4 29 114 ratings18 reviews this captivating autobiography by a tibetan educator and former political prisoner is full of twists and turns born in 1929 in a tibetan village tsering developed a strong dislike of his country s theocratic ruling elite

**the struggle for modern tibet the autobiography of tashi** - Oct 26 2022

web the struggle for modern tibet the autobiography of tashi tsering 1 ed 1563249502 9781563249501 9780585001685 this captivating autobiography by a tibetan educator and former political prisoner is full of twists and turns born in 147 107 2mb english year 1997 report dmca copyright download file

**the struggle for modern tibet the autobiography of tashi tsering** - Oct 06 2023

web mar 2 2015 abstract this captivating autobiography by a tibetan educator and former political prisoner is full of twists and turns born in 1929 in a tibetan village tsering developed a strong dislike of his country s theocratic ruling elite

[the struggle for modern tibet the autobiography of tashi](#) - Jun 02 2023

web feb 21 1997 this autobiography of a tibetan nationalist with a burning desire to reform and modernize the old society presents for the first time a personal portrait of tibet that is realistic neither

**the struggle for modern tibet the autobiography of tashi** - Jul 03 2023

web feb 28 1997 by melvyn c goldstein author william r siebenschuh author tashi tsering author 4 8 21 ratings see all formats and editions this captivating autobiography by a tibetan educator and former political prisoner is full of twists and

turns

[the struggle for modern tibet the autobiography of tashi](#) - Sep 24 2022

web feb 24 2015 the struggle for modern tibet the autobiography of tashi tsering 1st edition kindle edition by melvyn c goldstein author 2 more format kindle edition 4 8 21 ratings see all formats and editions kindle 31 33 42 71 read with our free app hardcover 29 99 49 46 11 used from 11 08 15 new from 43 55 3 collectible from

[the struggle for modern tibet the autobiography of tashi tsering](#) - Sep 05 2023

web asian studies area studies this captivating autobiography by a tibetan educator and former political prisoner is full of twists and turns born in 1929 in a tibetan village tsering developed a strong dislike of his country s theocratic ruling elite

**the struggle for modern tibet the autobiography of tashi tsering** - Apr 19 2022

web this captivating autobiography by a tibetan educator and former political prisoner is full of twists and turns born in 1929 in a tibetan village tsering developed a strong dislike of his

*the struggle for modern tibet the autobiography of tashi* - Feb 15 2022

web this captivating autobiography by a tibetan educator and former political prisoner is full of twists and turns born in 1929 in a tibetan village tsering developed a strong dislike of his country s theocratic ruling elite

**the struggle for modern tibet the autobiography of tashi** - Aug 04 2023

web xi 207 pages 8 unnumbered pages of plates 24 cm this captivating autobiography by a tibetan educator and former political prisoner is full of twists and turns born in 1929 in a tibetan village tsering developed a strong dislike of his country s theocratic ruling elite

**history of tibet wikipedia** - Jun 21 2022

web while the tibetan plateau has been inhabited since pre historic times most of tibet s history went unrecorded until the introduction of tibetan buddhism around the 6th century tibetan texts refer to the kingdom of zhangzhung c 500 bce 625 ce as the precursor of later tibetan kingdoms and the originators of the bon religion while mythical

**the struggle for modern tibet the autobiography of tashi tsering** - Feb 27 2023

web buy the struggle for modern tibet the autobiography of tashi tsering book online at low prices in india the struggle for modern tibet the autobiography of tashi tsering reviews ratings amazon in books reference words language grammar buy new 895 00 inclusive of all taxes 160 delivery 13 14 november details

**the struggle for modern tibet the autobiography of tashi** - Jan 29 2023

web the struggle for modern tibet the autobiography of tashi tsering the autobiography of tashi tsering tsering tashi goldstein melvyn c siebenschuh william r 9781563249501 books amazon ca books education reference schools teaching buy new 163 00 list price 228 63 save 65 63 29 free delivery july

*the struggle for modern tibet the autobiography of tashi tsering* - Aug 24 2022

web the struggle for modern tibet the autobiography of tashi tsering melvyn c goldstein east gate book 44 95 220pp isbn 978 1 56324 950 1 this captivating autobiography by a tibetan

**the struggle for modern tibet the autobiography of tashi tsering** - Jul 23 2022

web aug 1 2000 download citation the struggle for modern tibet the autobiography of tashi tsering this captivating autobiography by a tibetan educator and former political prisoner is full of twists and turns

**the struggle for modern tibet the autobiography of tashi tsering** - May 21 2022

web the struggle for modern tibet the autobiography of tashi tsering chronicles the journey of one tibetan man from his early youth through adulthood unlike many of his family members and peers who were illiterate tsering yearns to learn to read and write

the struggle for modern tibet the autobiography of tashi - Nov 26 2022

web the struggle for modern tibet the autobiography of tashi tsering authors melvyn c goldstein william r siebenschuh tashi tsering summary this captivating autobiography by a tibetan educator and former political prisoner is full of twists and turns