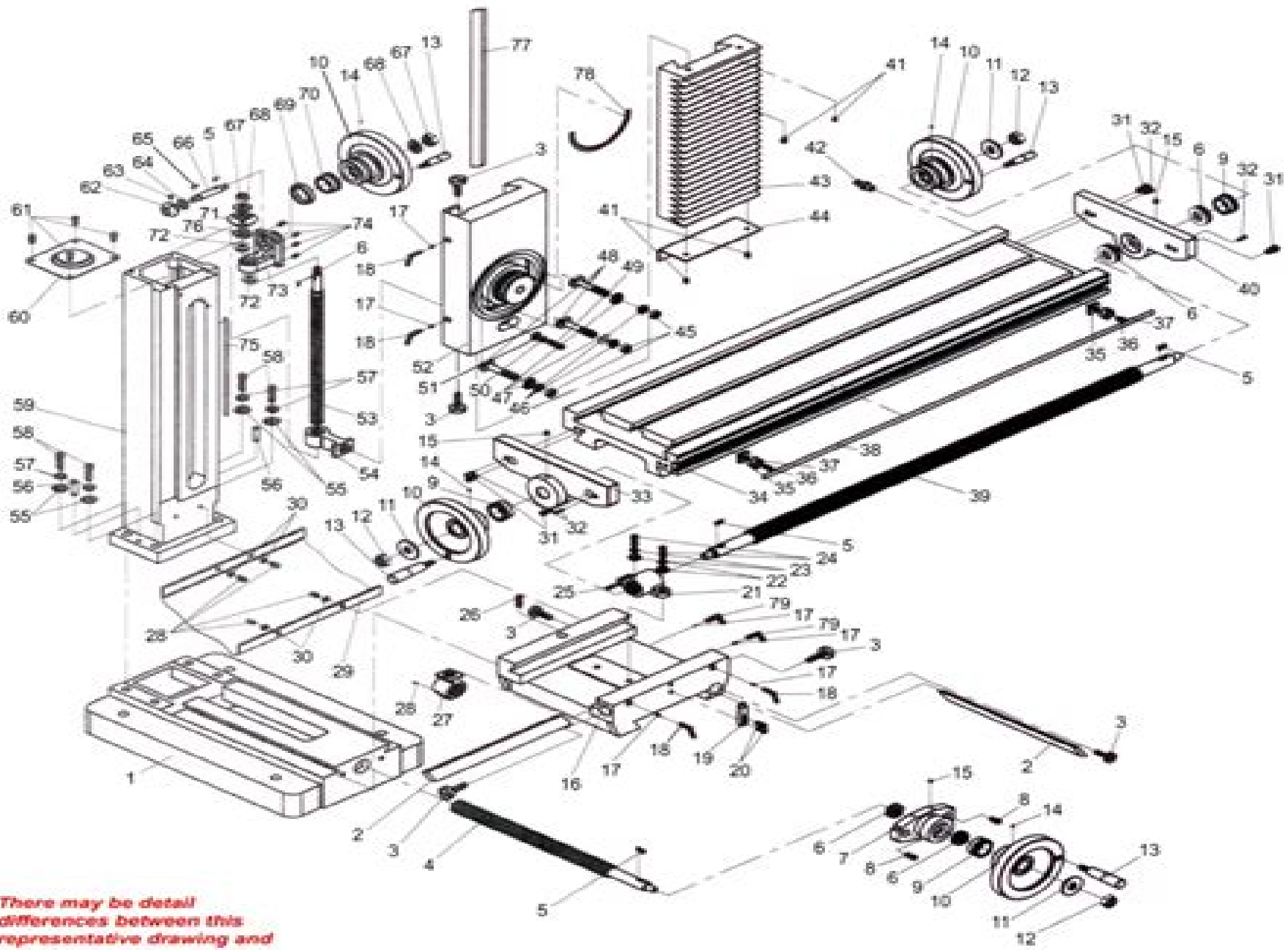


TABLE, COLUMN, & BASE COMPONENTS Fig 3



There may be detail differences between this representative drawing and the machine as supplied

Matthews Printer Manual

Michael Brown



Matthews Printer Manual:

Unveiling the Magic of Words: A Review of "**Matthews Printer Manual**"

In a global defined by information and interconnectivity, the enchanting power of words has acquired unparalleled significance. Their capability to kindle emotions, provoke contemplation, and ignite transformative change is actually awe-inspiring. Enter the realm of "**Matthews Printer Manual**," a mesmerizing literary masterpiece penned by a distinguished author, guiding readers on a profound journey to unravel the secrets and potential hidden within every word. In this critique, we shall delve to the book is central themes, examine its distinctive writing style, and assess its profound effect on the souls of its readers.

https://staging.conocer.cide.edu/public/book-search/default.aspx/Economics_Today_The_Macro_View_1999_2000_Edition.pdf

Table of Contents Matthews Printer Manual

1. Understanding the eBook Matthews Printer Manual
 - The Rise of Digital Reading Matthews Printer Manual
 - Advantages of eBooks Over Traditional Books
2. Identifying Matthews Printer Manual
 - Exploring Different Genres
 - Considering Fiction vs. Non-Fiction
 - Determining Your Reading Goals
3. Choosing the Right eBook Platform
 - Popular eBook Platforms
 - Features to Look for in an Matthews Printer Manual
 - User-Friendly Interface
4. Exploring eBook Recommendations from Matthews Printer Manual
 - Personalized Recommendations
 - Matthews Printer Manual User Reviews and Ratings
 - Matthews Printer Manual and Bestseller Lists

5. Accessing Matthews Printer Manual Free and Paid eBooks
 - Matthews Printer Manual Public Domain eBooks
 - Matthews Printer Manual eBook Subscription Services
 - Matthews Printer Manual Budget-Friendly Options
6. Navigating Matthews Printer Manual eBook Formats
 - ePub, PDF, MOBI, and More
 - Matthews Printer Manual Compatibility with Devices
 - Matthews Printer Manual Enhanced eBook Features
7. Enhancing Your Reading Experience
 - Adjustable Fonts and Text Sizes of Matthews Printer Manual
 - Highlighting and Note-Taking Matthews Printer Manual
 - Interactive Elements Matthews Printer Manual
8. Staying Engaged with Matthews Printer Manual
 - Joining Online Reading Communities
 - Participating in Virtual Book Clubs
 - Following Authors and Publishers Matthews Printer Manual
9. Balancing eBooks and Physical Books Matthews Printer Manual
 - Benefits of a Digital Library
 - Creating a Diverse Reading Collection Matthews Printer Manual
10. Overcoming Reading Challenges
 - Dealing with Digital Eye Strain
 - Minimizing Distractions
 - Managing Screen Time
11. Cultivating a Reading Routine Matthews Printer Manual
 - Setting Reading Goals Matthews Printer Manual
 - Carving Out Dedicated Reading Time
12. Sourcing Reliable Information of Matthews Printer Manual
 - Fact-Checking eBook Content of Matthews Printer Manual
 - Distinguishing Credible Sources
13. Promoting Lifelong Learning

- Utilizing eBooks for Skill Development
 - Exploring Educational eBooks
14. Embracing eBook Trends
- Integration of Multimedia Elements
 - Interactive and Gamified eBooks

Matthews Printer Manual Introduction

Matthews Printer Manual Offers over 60,000 free eBooks, including many classics that are in the public domain. Open Library: Provides access to over 1 million free eBooks, including classic literature and contemporary works. Matthews Printer Manual Offers a vast collection of books, some of which are available for free as PDF downloads, particularly older books in the public domain. Matthews Printer Manual : This website hosts a vast collection of scientific articles, books, and textbooks. While it operates in a legal gray area due to copyright issues, its a popular resource for finding various publications. Internet Archive for Matthews Printer Manual : Has an extensive collection of digital content, including books, articles, videos, and more. It has a massive library of free downloadable books. Free-eBooks Matthews Printer Manual Offers a diverse range of free eBooks across various genres. Matthews Printer Manual Focuses mainly on educational books, textbooks, and business books. It offers free PDF downloads for educational purposes. Matthews Printer Manual Provides a large selection of free eBooks in different genres, which are available for download in various formats, including PDF. Finding specific Matthews Printer Manual, especially related to Matthews Printer Manual, might be challenging as theyre often artistic creations rather than practical blueprints. However, you can explore the following steps to search for or create your own Online Searches: Look for websites, forums, or blogs dedicated to Matthews Printer Manual, Sometimes enthusiasts share their designs or concepts in PDF format. Books and Magazines Some Matthews Printer Manual books or magazines might include. Look for these in online stores or libraries. Remember that while Matthews Printer Manual, sharing copyrighted material without permission is not legal. Always ensure youre either creating your own or obtaining them from legitimate sources that allow sharing and downloading. Library Check if your local library offers eBook lending services. Many libraries have digital catalogs where you can borrow Matthews Printer Manual eBooks for free, including popular titles. Online Retailers: Websites like Amazon, Google Books, or Apple Books often sell eBooks. Sometimes, authors or publishers offer promotions or free periods for certain books. Authors Website Occasionally, authors provide excerpts or short stories for free on their websites. While this might not be the Matthews Printer Manual full book , it can give you a taste of the authors writing style. Subscription Services Platforms like Kindle Unlimited or Scribd offer subscription-based access to a wide range of Matthews Printer Manual eBooks, including some popular titles.

FAQs About Matthews Printer Manual Books

1. Where can I buy Matthews Printer Manual books? Bookstores: Physical bookstores like Barnes & Noble, Waterstones, and independent local stores. Online Retailers: Amazon, Book Depository, and various online bookstores offer a wide range of books in physical and digital formats.
2. What are the different book formats available? Hardcover: Sturdy and durable, usually more expensive. Paperback: Cheaper, lighter, and more portable than hardcovers. E-books: Digital books available for e-readers like Kindle or software like Apple Books, Kindle, and Google Play Books.
3. How do I choose a Matthews Printer Manual book to read? Genres: Consider the genre you enjoy (fiction, non-fiction, mystery, sci-fi, etc.). Recommendations: Ask friends, join book clubs, or explore online reviews and recommendations. Author: If you like a particular author, you might enjoy more of their work.
4. How do I take care of Matthews Printer Manual books? Storage: Keep them away from direct sunlight and in a dry environment. Handling: Avoid folding pages, use bookmarks, and handle them with clean hands. Cleaning: Gently dust the covers and pages occasionally.
5. Can I borrow books without buying them? Public Libraries: Local libraries offer a wide range of books for borrowing. Book Swaps: Community book exchanges or online platforms where people exchange books.
6. How can I track my reading progress or manage my book collection? Book Tracking Apps: Goodreads, LibraryThing, and Book Catalogue are popular apps for tracking your reading progress and managing book collections. Spreadsheets: You can create your own spreadsheet to track books read, ratings, and other details.
7. What are Matthews Printer Manual audiobooks, and where can I find them? Audiobooks: Audio recordings of books, perfect for listening while commuting or multitasking. Platforms: Audible, LibriVox, and Google Play Books offer a wide selection of audiobooks.
8. How do I support authors or the book industry? Buy Books: Purchase books from authors or independent bookstores. Reviews: Leave reviews on platforms like Goodreads or Amazon. Promotion: Share your favorite books on social media or recommend them to friends.
9. Are there book clubs or reading communities I can join? Local Clubs: Check for local book clubs in libraries or community centers. Online Communities: Platforms like Goodreads have virtual book clubs and discussion groups.
10. Can I read Matthews Printer Manual books for free? Public Domain Books: Many classic books are available for free as they're in the public domain. Free E-books: Some websites offer free e-books legally, like Project Gutenberg or Open Library.

Find Matthews Printer Manual :**economics today the macro view 1999-2000 edition****economic survival manual for private practice psychiatrists**economic effects of fundamental tax reformecology of building materials**economics and sociology towards an integration**econ social issues study guide;1991;pb**economic environment of business****economic reforms in chile****economic policy****economic development in the nineteenth c**economics of urban areaseconomic decisions under uncertainty**economics in sweden an evaluation of swedish research in economics**ecoregion-based design for sustainability*economic issues rhetoric and reality***Matthews Printer Manual :**

Catalyst Lab Manual for Chemistry, Custom Edition Catalyst Lab Manual for Chemistry, Custom Edition on Amazon.com.

*FREE ... Catalyst Lab Manual for Chemistry, Custom Edition. 5.0 5.0 out of 5 stars 2 Reviews. catalyst laboratory manual chemistry Catalyst (Laboratory Manual) (The Prentice Hall Custom Laboratory Program for Chemistry) by Tim Thomas and a great selection of related books, ... CATALYST LAB MANUAL FOR CHEMISTRY, CUSTOM ... CATALYST LAB MANUAL FOR CHEMISTRY, CUSTOM EDITION *Excellent Condition* ; Condition. Very Good ; Quantity. 1 available ; Item Number. 186142368058 ; ISBN-10. General Chemistry I Lab Manual--CUSTOM (Catalyst The title of this book is General Chemistry I Lab Manual--CUSTOM (Catalyst and it was written by Wendy Gloffke, Doris Kimbrough, Julie R. Peller. This ... Catalyst (Laboratory Manual) (The Prentice Hall Custom ... Buy Catalyst (Laboratory Manual) (The Prentice Hall Custom Laboratory Program for Chemistry) on Amazon.com ☐ FREE SHIPPING on qualified orders. Buy Catalyst Lab Manual For Chemistry Custom Edition Book Buy Catalyst Lab Manual For Chemistry Custom Edition Others Book from as low as \$18.47. CATALYST LAB MANUAL FOR CHEMISTRY, CUSTOM ... CATALYST LAB MANUAL FOR CHEMISTRY, CUSTOM EDITION *Excellent

Condition* ; Quantity. 1 available ; Item Number. 225879230036 ; ISBN-10. 0536937958 ; Book Title. Pre-Owned Catalyst Lab Manual for Chemistry, Custom ... Arrives by Mon, Dec 18 Buy Pre-Owned Catalyst Lab Manual for Chemistry, Custom Edition (Paperback) 0536937958 9780536937957 at Walmart.com. Catalyst The Prentice Hall Custom Laboratory Program for ... This is the Lab Manual for Organic Chemistry at Columbia University New York, NY. All labs are included, this is the book recommended and sold in the ... Catalyst Lab Manual - by Michael Payne Find Catalyst Lab Manual: General Chemistry CHEM 101 (Custom Editon for Morgan State University) by Michael Payne. Goljan Rapid Review Pathology PDF FREE Download ... Today, in this article, we are going to share with you Goljan Rapid Review Pathology 4th Edition PDF for free download. We hope everyone finds this pathology ... Goljan Pathology Review 4e PDF download Mar 25, 2021 — Rapid Review of Pathology 4e by E Goljan is now available here in PDF format for free download. Rapid Review Pathology: With STUDENT... by Goljan MD ... Saunders; 4th edition (June 21, 2013). Language, English. Paperback, 784 pages. ISBN ... Buy this one and download the pdf of fifth edition. In recent edition ... Goljan Rapid Review Path 4th vs 5th edition : r/step1 Wondering if anyone's used the 5th edition and if they could comment on the quality of the it. I have the 4th edition as a pdf, ... Rapid Review Pathology: 6th edition | Anthony Alfrey | ISBN Aug 3, 2023 — In this fully revised 6th Edition, Dr. Goljan's handpicked successor, Dr. Anthony Alfrey, provides a core pathology review and focus on USMLE ... Rapid Review Pathology - Edward F. Goljan, MD Get the most from your study time...and experience a realistic USMLE simulation! Rapid Review Pathology, by Edward F. Goljan, MD, makes it easy for you to ... Rapid Review Pathology - 5th Edition Edward Goljan is your go-to guide for up-to-date, essential pathology information throughout medical school. User-friendly features that make this comprehensive ... The NEW 4th edition of Goljan's "Rapid Review #Pathology ... Comprehensive coverage of neurological diseases and disorders with a clinical approach to diagnosis, treatment and management Truly ... Rapid Review Pathology, 4th Edition Rapid Review Pathology Fourth Edition (By Edward F. ... Rapid Review Pathology Fourth Edition (By Edward F. Goljan). Bought this book ... Download the free eBay app · Download the free eBay app · Sign out · eCI ... SOLAS Current Version (1st January 2014) Page 1. FOR GL INTERNAL USE ONLY. SOLAS. Consolidated Edition, 2014. Consolidated ... consolidated text. (incorporating all amendments in effect from 1st January ... consolidated text of the International Convention for the Safety ... SOLAS, consolidated edition 2014 : consolidated text of the International Convention for the Safety of Life at Sea, 1974, and its Protocol of 1988 : articles, ... SOLAS, consolidated edition 2014 : ... SOLAS, consolidated edition 2014 : consolidated text of the International Convention for the Safety of Life at Sea, 1974, and its Protocol of 1988 : articles, ... SOLAS, Consolidated Edition 2014 The SOLAS Consolidated Edition 2014 is an essential reference for maritime administrations, ship manufacturers, owners and operators, shipping companies, ... SOLAS consolidated 2014 released from IMO Nov 17, 2014 — The recent release of SOLAS Consolidated, 2014 edition from the International Maritime Organization (IMO) marks a new chapter in the ... SOLAS Consolidated Edition, 2014 The SOLAS

Consolidated Edition 2014 is an essential reference for maritime administrations, ship manufacturers, owners and operators, shipping companies, ... SOLAS Consolidated Edition 2014 : AC Apr 4, 2019 — The present version was adopted in 1974 and entered into force in 1980. ... In order to provide an easy reference to all SOLAS requirements ... SOLAS 2014:... by International Maritime Organization SOLAS 2014: Consolidated Text of the International Convention for the Safety of Life at Sea, 1974, as Amended Hardcover September 18, 2014. IMO SOLAS Consolidated Edition 2014 Requirements SOLAS are accepted as an international guide to the transport of dangerous goods by sea and is recommended to governments for adoption or for use as the basis ... consolidated text of the International Convention for the ... SOLAS : consolidated edition 2014 : consolidated text of the International Convention for the Safety of Life at Sea, 1974, and its Protocol of 1988 ...