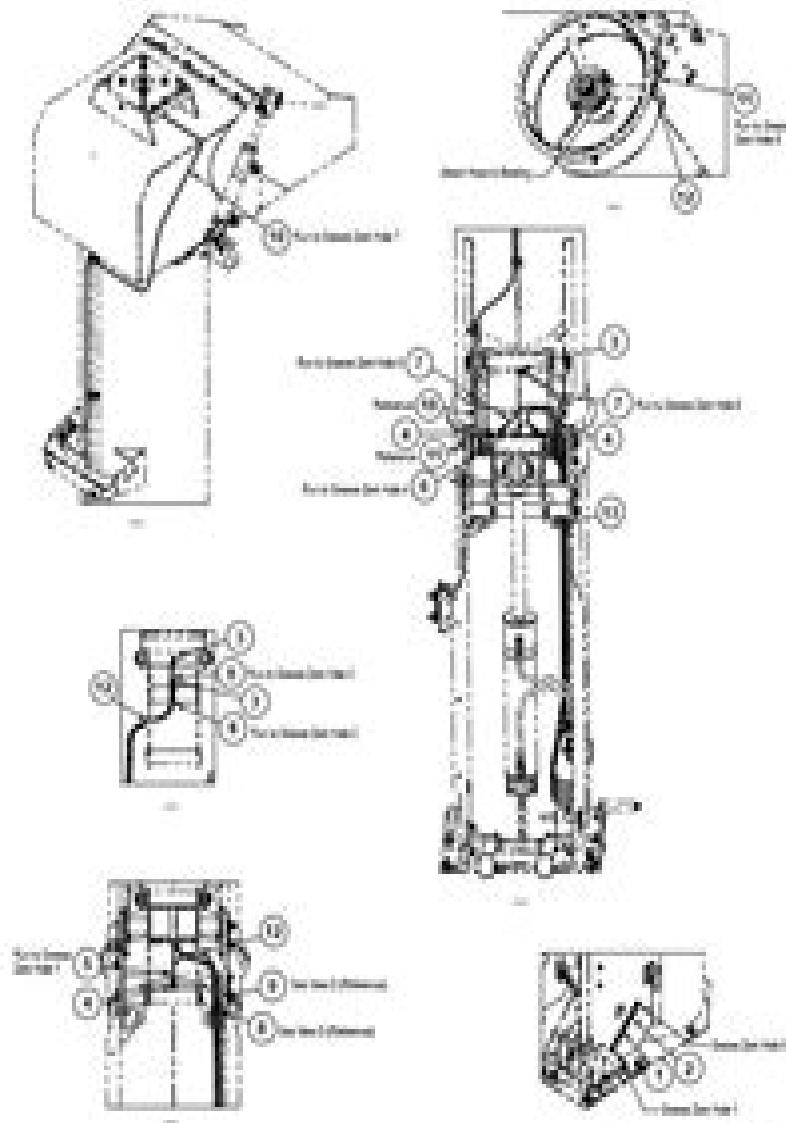


ITEM	PART NO.	QTY.	DESCRIPTION
0	040007	1	Auger Case Mid-Range Fitting, 112" x 112", 112"
01	040008	1	Vertical Auger Fold Cable, 112", see page 110
02	040100	2	Pin, 112" x 2"
03	040101	8	Washer, 112", 14 Gauge, 112"
04	040102	8	Lock Pin, 112" x 2"
05	040170	1	Pin, 112" x 124", 112"
06	040170B	1	Pin, 112" x 124", 112"
07	040204	2	Machine Boltting, 112", 14 Gauge
08	040302	1	Flange Pin, 112" x 104", 112"
09	040304	1	Flange Pin, 112" x 104", 112"
10	040304	8	Hex Head Cap Screw, 112" x 1"
11	040305	8	Washer, 112" x 112"
12	---	---	---
13	040401	2	Counter Balance Valve
14	040517	---	See 40 For Counter Balance Valve, Includes (2) O-Rings, (2) O-Ring
15	040508	2	Hex Head Cap Screw, 112" x 1"
16	040509	8	Lock Nut, 112" x 112"
17	040510	1	Handle Storage Bracket
18	040505	1	Carriage Bolt, 112" x 1"
19	040506	1	Locking Clip Pin, 112" x 120"
20	040570	1	Handle Holder
21	040704B	1	Jack Handle
22	040912	1	Blow Protection Cover, 112" x 2"
23	040901	1	Bracket
24	040570A	1	Pin
25	040917	8	Hex Head Cap Screw, 112" x 112"
26	040911	8	Lock Nut, 112" x 112"
27	040904	1	Support Stand, 112"
28	040906	1	Handle With/Without Hardware, 112"
29	040913-01	---	Stem, 112" O.D. x 214" Long
30	040908	---	Hex Head Cap Screw, 112" x 1"
31	040909	---	Lock Washer, 112"
32	040907	1	Support Stand Pin
33	040905	1	Hex Head Cap Screw, 112" x 112"
34	040910	1	Lock Nut, 112" x 112", Grade 8
35	040903	1	Lock Pin, 112"
36	040904B1	1	Auger Grease Bank Assembly, see page 112
37	040902	1	Roller, 4 Amp
38	040901	1	Resistor Chain
39	040914-01	1	Edge 100-Ring, 112", 112" x 112" x 112" to O-Ring
40	040915	---	O-Ring
41	140909	2	Roller Assembly, 112" x 112"
42	140908-141	1	Roller Assembly, 112" x 112" (201-1024 MP12 1012, 1011)
43	140908-142	1	Roller Assembly, 112" x 112" (201-1024 MP12 1012, 1011)
44	040904A1	1	Roller Label/Cover, Roll Element
45	040904B1	1	Roller Label/Cover, Roll Element
46	04090501	1	Lower Auger Shim, 112"
47	04090502	1	Lower Auger Shim, 12 Gauge (11401)
48	04091117-01	1	Edge Trim Protection, 112" x 112" x 112"

Hydraulic hose is not stocked by Kinze Repair Parts, but can be made available on a special order basis. Call for quote.



Kinze 2300 Parts Manual

M Woodhall



Kinze 2300 Parts Manual:

Decoding **Kinze 2300 Parts Manual**: Revealing the Captivating Potential of Verbal Expression

In a period characterized by interconnectedness and an insatiable thirst for knowledge, the captivating potential of verbal expression has emerged as a formidable force. Its ability to evoke sentiments, stimulate introspection, and incite profound transformations is genuinely awe-inspiring. Within the pages of "**Kinze 2300 Parts Manual**," a mesmerizing literary creation penned by way of a celebrated wordsmith, readers embark on an enlightening odyssey, unraveling the intricate significance of language and its enduring effect on our lives. In this appraisal, we shall explore the book's central themes, evaluate its distinctive writing style, and gauge its pervasive influence on the hearts and minds of its readership.

https://staging.conocer.cide.edu/results/scholarship/Download_PDFS/fresenius%2050dialysis%20machine%20manual.pdf

Table of Contents Kinze 2300 Parts Manual

1. Understanding the eBook Kinze 2300 Parts Manual
 - The Rise of Digital Reading Kinze 2300 Parts Manual
 - Advantages of eBooks Over Traditional Books
2. Identifying Kinze 2300 Parts Manual
 - Exploring Different Genres
 - Considering Fiction vs. Non-Fiction
 - Determining Your Reading Goals
3. Choosing the Right eBook Platform
 - Popular eBook Platforms
 - Features to Look for in an Kinze 2300 Parts Manual
 - User-Friendly Interface
4. Exploring eBook Recommendations from Kinze 2300 Parts Manual
 - Personalized Recommendations
 - Kinze 2300 Parts Manual User Reviews and Ratings
 - Kinze 2300 Parts Manual and Bestseller Lists

5. Accessing Kinze 2300 Parts Manual Free and Paid eBooks
 - Kinze 2300 Parts Manual Public Domain eBooks
 - Kinze 2300 Parts Manual eBook Subscription Services
 - Kinze 2300 Parts Manual Budget-Friendly Options
6. Navigating Kinze 2300 Parts Manual eBook Formats
 - ePub, PDF, MOBI, and More
 - Kinze 2300 Parts Manual Compatibility with Devices
 - Kinze 2300 Parts Manual Enhanced eBook Features
7. Enhancing Your Reading Experience
 - Adjustable Fonts and Text Sizes of Kinze 2300 Parts Manual
 - Highlighting and Note-Taking Kinze 2300 Parts Manual
 - Interactive Elements Kinze 2300 Parts Manual
8. Staying Engaged with Kinze 2300 Parts Manual
 - Joining Online Reading Communities
 - Participating in Virtual Book Clubs
 - Following Authors and Publishers Kinze 2300 Parts Manual
9. Balancing eBooks and Physical Books Kinze 2300 Parts Manual
 - Benefits of a Digital Library
 - Creating a Diverse Reading Collection Kinze 2300 Parts Manual
10. Overcoming Reading Challenges
 - Dealing with Digital Eye Strain
 - Minimizing Distractions
 - Managing Screen Time
11. Cultivating a Reading Routine Kinze 2300 Parts Manual
 - Setting Reading Goals Kinze 2300 Parts Manual
 - Carving Out Dedicated Reading Time
12. Sourcing Reliable Information of Kinze 2300 Parts Manual
 - Fact-Checking eBook Content of Kinze 2300 Parts Manual
 - Distinguishing Credible Sources
13. Promoting Lifelong Learning

- Utilizing eBooks for Skill Development
 - Exploring Educational eBooks
14. Embracing eBook Trends
- Integration of Multimedia Elements
 - Interactive and Gamified eBooks

Kinze 2300 Parts Manual Introduction

Kinze 2300 Parts Manual Offers over 60,000 free eBooks, including many classics that are in the public domain. Open Library: Provides access to over 1 million free eBooks, including classic literature and contemporary works. Kinze 2300 Parts Manual Offers a vast collection of books, some of which are available for free as PDF downloads, particularly older books in the public domain. Kinze 2300 Parts Manual : This website hosts a vast collection of scientific articles, books, and textbooks. While it operates in a legal gray area due to copyright issues, its a popular resource for finding various publications. Internet Archive for Kinze 2300 Parts Manual : Has an extensive collection of digital content, including books, articles, videos, and more. It has a massive library of free downloadable books. Free-eBooks Kinze 2300 Parts Manual Offers a diverse range of free eBooks across various genres. Kinze 2300 Parts Manual Focuses mainly on educational books, textbooks, and business books. It offers free PDF downloads for educational purposes. Kinze 2300 Parts Manual Provides a large selection of free eBooks in different genres, which are available for download in various formats, including PDF. Finding specific Kinze 2300 Parts Manual, especially related to Kinze 2300 Parts Manual, might be challenging as theyre often artistic creations rather than practical blueprints. However, you can explore the following steps to search for or create your own Online Searches: Look for websites, forums, or blogs dedicated to Kinze 2300 Parts Manual, Sometimes enthusiasts share their designs or concepts in PDF format. Books and Magazines Some Kinze 2300 Parts Manual books or magazines might include. Look for these in online stores or libraries. Remember that while Kinze 2300 Parts Manual, sharing copyrighted material without permission is not legal. Always ensure youre either creating your own or obtaining them from legitimate sources that allow sharing and downloading. Library Check if your local library offers eBook lending services. Many libraries have digital catalogs where you can borrow Kinze 2300 Parts Manual eBooks for free, including popular titles. Online Retailers: Websites like Amazon, Google Books, or Apple Books often sell eBooks. Sometimes, authors or publishers offer promotions or free periods for certain books. Authors Website Occasionally, authors provide excerpts or short stories for free on their websites. While this might not be the Kinze 2300 Parts Manual full book , it can give you a taste of the authors writing style. Subscription Services Platforms like Kindle Unlimited or Scribd offer subscription-based access to a wide range of Kinze 2300 Parts Manual eBooks, including some popular titles.

FAQs About Kinze 2300 Parts Manual Books

How do I know which eBook platform is the best for me? Finding the best eBook platform depends on your reading preferences and device compatibility. Research different platforms, read user reviews, and explore their features before making a choice. Are free eBooks of good quality? Yes, many reputable platforms offer high-quality free eBooks, including classics and public domain works. However, make sure to verify the source to ensure the eBook credibility. Can I read eBooks without an eReader? Absolutely! Most eBook platforms offer web-based readers or mobile apps that allow you to read eBooks on your computer, tablet, or smartphone. How do I avoid digital eye strain while reading eBooks? To prevent digital eye strain, take regular breaks, adjust the font size and background color, and ensure proper lighting while reading eBooks. What the advantage of interactive eBooks? Interactive eBooks incorporate multimedia elements, quizzes, and activities, enhancing the reader engagement and providing a more immersive learning experience. Kinze 2300 Parts Manual is one of the best book in our library for free trial. We provide copy of Kinze 2300 Parts Manual in digital format, so the resources that you find are reliable. There are also many Ebooks of related with Kinze 2300 Parts Manual. Where to download Kinze 2300 Parts Manual online for free? Are you looking for Kinze 2300 Parts Manual PDF? This is definitely going to save you time and cash in something you should think about.

Find Kinze 2300 Parts Manual :

fresenius 50dialysis machine manual

fried green tomatoes at the whistle stop cafe

frontera margarita recipe

[friedberg linear algebra solution manual](#)

[french macaron piping template](#)

[freightliner wiring manual](#)

[frigidaire professional gas range manual](#)

french to spanish translation

[freight transport system california air resources board](#)

freshman masterpiece radion manual

fresh off the boat melissa de la cruz

[friedrich portable air conditioner user manual](#)

from babylon to timbuktu

[fried italian fried cookies recipe](#)

[french green beans recipe](#)

Kinze 2300 Parts Manual :

[elementary statistics plus mylab statistics with pearson quizlet](#) - Nov 06 2022

web find step by step solutions and answers to elementary statistics plus mylab statistics with pearson etext access card package 9780134684901 as well as thousands of textbooks so you can move forward with confidence

[mylab it print an answer key pearson support central](#) - May 12 2023

web jun 27 2023 detailed instructions to see the answers to objective based questions matching multiple choice fill in the blank or true false in quizzes the best solution is to print the quiz and include the answer key go to course content and navigate to the quiz for which you want to have the answer key click the options arrow select print

[accurate mystatlab answers 100 correct mystatlab](#) - Apr 11 2023

web here are multiple sources and pages which are offering answers key for solving statistics problems at mystatlab but the difference lies in whether you will actually get what you want or not not every source is trustworthy or will actually provide you with the required solution from answer key

[statistics 13th edition solutions and answers quizlet](#) - Feb 09 2023

web find step by step solutions and answers to statistics 9780134090436 as well as thousands of textbooks so you can move forward with confidence

elementary statistics 13th edition solutions and answers quizlet - Dec 07 2022

web now with expert verified solutions from elementary statistics 13th edition you ll learn how to solve your toughest homework problems our resource for elementary statistics includes answers to chapter exercises as well as detailed information to walk you through the process step by step

pearson education solutions and answers mathleaks - Jun 13 2023

web the theory behind the solutions coupled with clear explanations graphs and tables are always used to present easily understood step by step solutions with more than 250000 expert solutions mathleaks covers the most commonly

accurate mymathlab answers pearson answer key finish my - Jul 02 2022

web need pearson mymathlab answers we can provide the pearson answer key for all the math problems big or small get started today

[pearson correlation coefficient r guide examples scribbr](#) - Jan 28 2022

web may 13 2022 step 1 calculate the t value calculate the t value a test statistic using this formula example calculating the

t value the weight and length of 10 newborns has a pearson correlation coefficient of 47 since we know that n 10 and r 47 we can calculate the t value

[testgen print answer key with test pearson support central](#) - Mar 30 2022

web jun 28 2023 to allow the answer key to print with the test with testgen open click tools preferences test options key select the options for the answer key for this test note if the key tab is unavailable grayed out

textbook answers pearson support central - Aug 03 2022

web nov 25 2021 a level science pearson textbook answers explains where to find the textbook answers for the pearson a level 2015 sciences 125063 views 25 nov 2021 knowledge

[pearson introduction to statistics answer key docplayer](#) - Sep 04 2022

web if a key to reading the graph was found during individual discovery through student generated solutions presented here are what one can envision as this pdf book incorporate pearsons statistics answer key information

[how to get mystatlab answers in 2023 take my online class](#) - Apr 30 2022

web jun 7 2023 the only solution to get good grades in tests online is by getting expert help an expert has to solve the questions specific to your portal besides that many platforms mislead students by claiming to have an answer key it s always best to research about pearson mystatlab answers providers

pearson math lab answer key statistics answers for 2023 exams - Jun 01 2022

web today the pearson mymathlab service is the best way to clarify your mathematics concept also expert help on mymathlab statistics answers or math lab test answers is valuable if you face trouble with statistical sums now get the best mymathlab answer key and improve grades

introductory statistics 10th edition solutions and answers quizlet - Jul 14 2023

web our resource for introductory statistics includes answers to chapter exercises as well as detailed information to walk you through the process step by step with expert solutions for thousands of practice problems you can take the guesswork out of studying and move forward with confidence

pearson mystatlab answers finish my math class - Feb 26 2022

web get pearson mystatlab answers and solutions from our team of experts we can provide step by step guidance learn more today

[international a level answers international schools pearson](#) - Jan 08 2023

web download business student book 1 unit 1 answers download business student book 1 unit 2 answers download business student book 2 unit 3 answers download business student book 2 unit 4 answers

[edexcel ial statistics mathematics 1 solution bank](#) - Dec 27 2021

web here you will find all the chapter and exercise questions and their solutions in a pdf format of edexcel ial statistics mathematics 1 due to which all the doubts about your ial statistics mathematics 1 will be clear and you will be able to score well in your exam

[introductory statistics plus mymathlab mystatlab quizlet](#) - Aug 15 2023

web find step by step solutions and answers to introductory statistics plus mymathlab mystatlab 9780321759962 as well as thousands of textbooks so you can move forward with confidence

[statistics pearson chapter 1 flashcards quizlet](#) - Mar 10 2023

web 1 statistics involves collection of information 2 organization and summarization of information 3 analysis to draw conclusions or answer specific questions 4 results should be reported using some measures that represent how

[mylab statistics pearson](#) - Oct 05 2022

web mylab statistics pearson reach every student personalize the learning experience and improve results for each student with mylab find out how you can reach every student personalize learning one student at a time today reaching every student can

[short guide to writing about film global edition pearson](#) - Jun 01 2022

web a succinct guide to thinking critically and writing precisely about film both an introduction to film study and a practical writing guide this brief text introduces students to major

[a short guide to writing about film paperback 1994 biblio](#) - Nov 06 2022

web jan 1 1994 find the best prices on a short guide to writing about film by timothy corrigan at biblio paperback 1994 addison wesley educational publishers

[a short guide to writing about film addison wesley pdf](#) - Aug 03 2022

web a short guide to writing about film addison wesley is available in our book collection an online access to it is set as public so you can download it instantly our book servers

[a short guide to writing about film google books](#) - Jul 14 2023

web a short guide to writing about film addison wesley series in economics short guide series author timothy corrigan edition 4 illustrated publisher longman 2001 isbn

short guide to writing about history a amazon com - Nov 25 2021

web jan 28 2014 a short guide to writing about history is an ideal complement for any history course intended to teach students to think and write like historians this

learn how joss whedon approaches story writing no film - Sep 23 2021

web sep 30 2014 learn how joss whedon approaches story writing directing in 10 minutes long before joss whedon took the

helm of the avengers and steered the

[a short guide to writing about film paperback 1997 biblio](#) - Dec 07 2022

web find the best prices on a short guide to writing about film by timothy corrigan editor at biblio paperback 1997 addison wesley publishing company 9780321011107

[a short guide to writing about film amazon co uk](#) - Aug 15 2023

web this is an excellent guide to writing about film but also works as an aid to viewing film it is very well written and easy to read a novice would have no problem understanding the

short guide to writing about film a timothy corrigan - May 12 2023

web this best selling text is a succinct guide to thinking critically and writing precisely about film both an introduction to film study and a practical writing guide this brief text

[step by step guide to writing an essay on film film threat](#) - Mar 30 2022

web dec 29 2021 here s a step by step guide to help you with an essay service 1 watch the movie this is the obvious starting point but surprisingly many students skip this step it

a short guide to writing about film by timothy corrigan - Apr 30 2022

web a short guide to writing about film short guide series addison wesley publishing company paperback 1997 a short guide to writing about film watson guptill

[a short guide to writing about film short guide series](#) - Feb 09 2023

web doubling an introduction to film study and a practical writing guide this brief text introduces students to film terms and the major film theories enabling them to write

[short guide to writing about film a timothy corrigan](#) - Jul 02 2022

web this best selling text is a succinct guide to thinking critically and writing precisely about film both an introduction to film study and a practical writing guide this brief text

a short guide to writing about film by timothy corrigan - Apr 11 2023

web a short guide to writing about film addison wesley series in economics by corrigan timothy and a great selection of related books art and collectibles available now at

[9780321011107 a short guide to writing about film short](#) - Mar 10 2023

web oct 1 1997 a short guide to writing about film short guide series by timothy corrigan addison wesley longman publishing company paperback good spine

a short guide to writing about film addison wesley uniport edu - Jan 28 2022

web mar 18 2023 a short guide to writing about film addison wesley is available in our digital library an online access to it is

set as public so you can get it instantly our books

a short guide to writing about film addison wesley series in - Sep 04 2022

web a short guide to writing about film walks the reader through the process of converting the fun and pleasure of watching a movie into the

a short guide to writing about film short guide series by - Oct 05 2022

web scott foresman addison wesley 1989 01 01 paperback new

a short guide to writing about film addison wesley copy - Dec 27 2021

web aug 18 2023 a short guide to writing about film addison wesley 1 1 downloaded from uniport edu ng on august 18 2023
by guest a short guide to writing about film

a short guide to writing about film archive org - Jun 13 2023

web a short guide to writing about film by corrigan timothy 1951 publication date 2010 topics film criticism publisher new york longman

wikipedia wikipedia project film essay on writing film articles - Oct 25 2021

web how to write about film write in complete sentences all wikipedia articles should be in complete sentences but for some reason articles on the arts seem to attract fragments

film art an introduction addison wesley series in speech - Feb 26 2022

web jan 1 1979 film art an introduction addison wesley series in speech drama and film bordwell david on amazon com free shipping on qualifying offers film art an

short guide to writing about film timothy corrigan - Jan 08 2023

web this best selling text is a succinct guide to thinking critically and writing precisely about film both an introduction to film study and a practical writing guide this brief text

freightliner differential pinion shaft nut advance auto parts - Mar 18 2022

web the ratings and reviews for these freightliner differential pinion shaft nut aftermarket parts really help you make the right decision whether you re a do it yourselfer or trained auto tech you ll appreciate the convenience of home or business delivery or picking up your differential pinion shaft nut product at the nearest advance auto parts location

freightliner wheel hub nut torque orientation sutd edu - Jul 22 2022

web for wheel nuts and bolts on commercial vehicles vehicle make tread torque setting nm bolt centering hub nut size using the maximum torque torque the spindle nut to 50 ft lbs while rotating the wheel two or more full turns to seat the bearings stop the wheel and back off the nut freightliner manual hub amp wheel bearing

axle wheel bearing installation specifications - Dec 27 2022

web c the nut may need to be slightly tightened or loosened to meet the required end play d rotated counterclockwise against the retainer nut e use a hammer and staking tool to stake the stake washer to the spindle nut in three positions conventional wheel end systems initial adjusting nut torque a final adjusting nut torque c spindle thread

40 01 freightliner - Sep 23 2022

web wheel nut checking important in addition to the maintenance interval in this manual check the wheel nut torque the first 50 to 100 miles 80 to 160 km of operation after a wheel has been removed and installed when checking wheel nuts on a stud piloted dual disc assembly remove one outer nut at a time tighten the inner nut then reinstall

navistar freightliner international bolt pattern - Feb 14 2022

web jun 6 2023 alloy wheels should always be installed using a torque wrench ensuring proper mount check your vehicle owner manual for specifications learn more how to properly torque lug nuts lug bolts hub center bore hub center bore relates to the center hole in the wheel that centers the wheel on the hub of the car since most wheels

business class m2 maintenance manual freightliner trucks - Feb 26 2023

web if you are looking for a comprehensive guide to maintain your freightliner business class m2 truck you can download the official maintenance manual in pdf format from this link the manual covers topics such as engine drivetrain steering brake cab features and more it also provides troubleshooting tips and safety precautions

freightliner spindle adjustment nut copy - May 20 2022

web freightliner spindle adjustment nut operator organizational field and depot maintenance manual jan 07 2020 popular mechanics jul 13 2020 popular mechanics inspires instructs and influences readers to help them master the modern world whether it s practical diy home improvement tips gadgets and digital technology information on the

108sd and 114sd maintenance manual freightliner - Jan 28 2023

web freightliner custom chassis 25 05 clutch adjustment manually adjusted clutches 26 transmission 26 00 safety precautions 40 01 wheel nut check 40 02 tire check 41 driveline 41 00 safety precautions 41 01 driveline inspection

bearing adjustment stemco - Aug 23 2022

web to place the nut on the spindle or tighten or loosen the nut on the spindle while the keeper is installed inside the nut doing so may deform the keeper and allow the nut to unthread during operation spindle thread damage could also occur leaving the axle unusable do not bend or manipulate keyway tang in any way

preset hub conmet - Nov 25 2022

web the spindle nut system if the locking device can not be engaged advance the spindle nut until the lock can be engaged double jam nut systems torque the inner spindle nut to 300 ft lbs while rotating the hub advance the inner nut as necessary to engage the locking ring do not back off the spindle nut install the

[hub nut torque truckersreport com trucking forum 1 cdl](#) - Aug 03 2023

web jul 7 2012 never seen were your final step in any wheel bearing adjustment is to torque it to 50 ftlbs and leave it there any guide or manual i have read shows the last step with some kind of back off depending on nut thread type then actually measuring your end play

ebook freightliner spindle adjustment nut - Jun 20 2022

web freightliner spindle adjustment nut opticalman 3 2 jul 21 2020 fundamentals of medium heavy duty commercial vehicle systems jul 13 2022 thoroughly updated and expanded fundamentals of medium heavy duty commercial vehicle systems second edition offers comprehensive coverage of basic concepts building up to advanced

[cascadia maintenance manual freightliner](#) - Apr 30 2023

web needed then tighten the yoke nut refer to group 41 of the cascadiatm workshopmanual fortorquespecifications

iftheyokeis stillloose after tightening the yokenut replace the end yoke and yoke nut replace the prevailing torque locknut end yoke nut if it was removed for yoke replacement seal replacement or any other reason 4

[axilok drive axle nut tramec sloan](#) - Sep 04 2023

web the tramec sloan line now includes the industry s best spindle nuts the original axilok by metform a division of maclean fogg component solutions installation should take less than half the time required for the old style 3 piece systems still greater time savings are realized with axilok when adjustments are needed

[heavy duty trucks maintenance manual freightliner trucks](#) - Jun 01 2023

web 47 02 fuel tank band nut tightening fla flb and fld 47 03 fuel separator sight bowl cleaning and element replacing 49

exhaust 49 01 exhaust system inspecting noise emission control 49 02 cat cgi bellows replacement 54 electrical instruments and controls 54 01 electrical system checking

freightliner spindle adjustment nut erp ecomobi com - Apr 18 2022

web june 21st 2018 heavy duty techtips set right turning the spindle nut provides axial adjustment of the bearing tightening the nut reduces bearing endplay and may even put the pro torq axle spindle stemco

[axle wheel bearing installation specifications](#) - Mar 30 2023

web inner spindle nut torque a outer nut torque out of service end play criteria trailer two piece nut system preset by meritor 300 lb ft 408 n m 200 lb ft 272 n m 0 006 0 1524 mm or more service the preset hub assembly nut torque acceptable end play criteria b trailer single nut system pro torq 200 lb ft 272 n m back off until loose

stemco endorses tmc s recommended wheel bearing adjustment - Jul 02 2023

web step 1 bearing lubrication lubricate the wheel bearing with clean lubricant of the same type used in the axle sump or hub assembly step 2 initial adjusting nut torque tighten the adjusting nut to torque of 200 ft lbs while rotating the wheel step

3 initial back off back the adjusting nut off one full turn step 4

axilok maclean fogg cs - Oct 05 2023

web the innovative design of the axilok unitized wheel bearing nut system has been the industry standard in the truck and trailer industry for over 20 years the benefits of the axilok system over traditional jam nut solutions are easily adjustable one piece assembly for increased speed accuracy and repeatability

manual wheel bearing adjustment procedures timken company - Oct 25 2022

web install the inner spindle nut and torque to 300 ft lbs do not back off the spindle nut engage the locking device that is part of the spindle nut system if the locking system cannot be engaged when the nut is at 300 ft lbs advance the nut until the locking system can be engaged reference note above