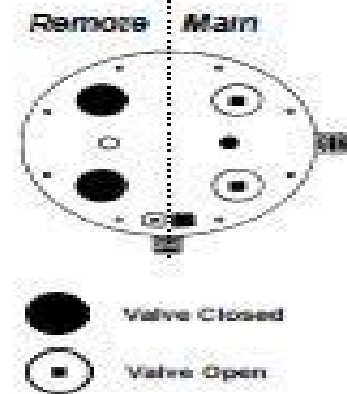
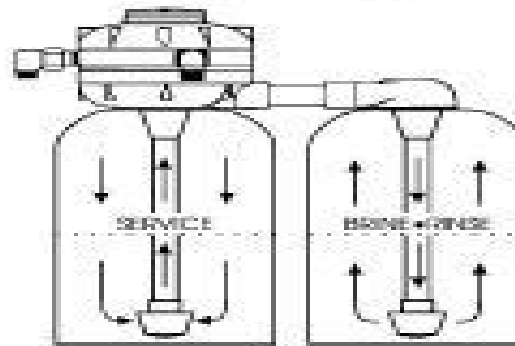
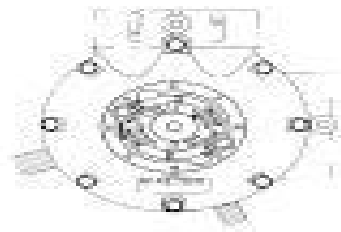


5. Main Tank in Service - Remote Tank Regenerating (Brine-Rinse)

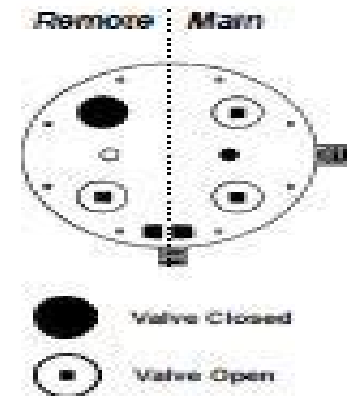
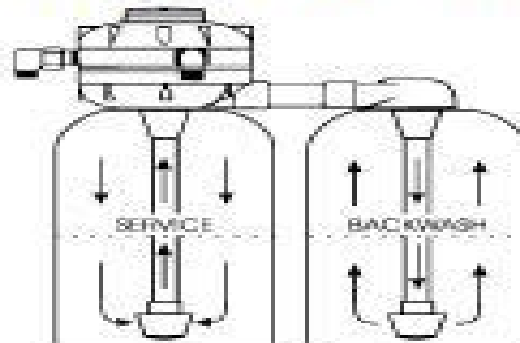


Main Tank is in Service and Remote Tank is in Brine-Rinse.

Both the Remote Tank Inlet and Outlet valves are closed. The Remote Tank Drain valve is open. Soft water from the Main Tank passes through the venturi, which causes brine to be drawn in past the Check Stem, down the distributor tube, up through the resin and out through the Drain valve.

The unit will continue to draw until the brine valve closes and prevents brine from entering the Remote Tank, thus starting the rinse cycle. The system will continue to slow rinse until the Backwash cycle starts.

6. Main Tank in Service - Remote Tank Regenerating (Backwash)



Main Tank is in Service and Remote Tank is in Backwash.

The Remote Tank Inlet valve is closed. Both the Remote Tank Outlet valve and Remote Tank Drain valve are open. Both Check Stems are closed. Soft water from the Main Tank passes through the Main Tank Outlet valve over and through the Remote Tank Outlet valve and down through the distributor tube. This high flow of water provides thorough cleaning of the hardness ions, iron and excess brine not rinsed during the Rinse cycle.

Kinetico 2060s Service Manual

Jicheng Xie



Kinetico 2060s Service Manual:

Kinetico 2060s Service Manual: Bestsellers in 2023 The year 2023 has witnessed a remarkable surge in literary brilliance, with numerous captivating novels enthralling the hearts of readers worldwide. Lets delve into the realm of bestselling books, exploring the captivating narratives that have enthralled audiences this year. Kinetico 2060s Service Manual : Colleen Hoover's "It Ends with Us" This poignant tale of love, loss, and resilience has captivated readers with its raw and emotional exploration of domestic abuse. Hoover skillfully weaves a story of hope and healing, reminding us that even in the darkest of times, the human spirit can triumph. Kinetico 2060s Service Manual : Taylor Jenkins Reids "The Seven Husbands of Evelyn Hugo" This intriguing historical fiction novel unravels the life of Evelyn Hugo, a Hollywood icon who defies expectations and societal norms to pursue her dreams. Reids absorbing storytelling and compelling characters transport readers to a bygone era, immersing them in a world of glamour, ambition, and self-discovery. Kinetico 2060s Service Manual : Delia Owens "Where the Crawdads Sing" This evocative coming-of-age story follows Kya Clark, a young woman who grows up alone in the marshes of North Carolina. Owens weaves a tale of resilience, survival, and the transformative power of nature, captivating readers with its evocative prose and mesmerizing setting. These top-selling novels represent just a fraction of the literary treasures that have emerged in 2023. Whether you seek tales of romance, adventure, or personal growth, the world of literature offers an abundance of compelling stories waiting to be discovered. The novel begins with Richard Papen, a bright but troubled young man, arriving at Hampden College. Richard is immediately drawn to the group of students who call themselves the Classics Club. The club is led by Henry Winter, a brilliant and charismatic young man. Henry is obsessed with Greek mythology and philosophy, and he quickly draws Richard into his world. The other members of the Classics Club are equally as fascinating. Bunny Corcoran is a wealthy and spoiled young man who is always looking for a good time. Charles Tavis is a quiet and reserved young man who is deeply in love with Henry. Camilla Macaulay is a beautiful and intelligent young woman who is drawn to the power and danger of the Classics Club. The students are all deeply in love with Morrow, and they are willing to do anything to please him. Morrow is a complex and mysterious figure, and he seems to be manipulating the students for his own purposes. As the students become more involved with Morrow, they begin to commit increasingly dangerous acts. The Secret History is a exceptional and thrilling novel that will keep you wondering until the very end. The novel is a cautionary tale about the dangers of obsession and the power of evil.

https://staging.conocer.cide.edu/public/detail/fetch.php/Greed_Inc_Why_Corporations_Rule_Our_World.pdf

Table of Contents Kinetico 2060s Service Manual

1. Understanding the eBook Kinetico 2060s Service Manual
 - The Rise of Digital Reading Kinetico 2060s Service Manual
 - Advantages of eBooks Over Traditional Books
2. Identifying Kinetico 2060s Service Manual
 - Exploring Different Genres
 - Considering Fiction vs. Non-Fiction
 - Determining Your Reading Goals
3. Choosing the Right eBook Platform
 - Popular eBook Platforms
 - Features to Look for in an Kinetico 2060s Service Manual
 - User-Friendly Interface
4. Exploring eBook Recommendations from Kinetico 2060s Service Manual
 - Personalized Recommendations
 - Kinetico 2060s Service Manual User Reviews and Ratings
 - Kinetico 2060s Service Manual and Bestseller Lists
5. Accessing Kinetico 2060s Service Manual Free and Paid eBooks
 - Kinetico 2060s Service Manual Public Domain eBooks
 - Kinetico 2060s Service Manual eBook Subscription Services
 - Kinetico 2060s Service Manual Budget-Friendly Options
6. Navigating Kinetico 2060s Service Manual eBook Formats
 - ePub, PDF, MOBI, and More
 - Kinetico 2060s Service Manual Compatibility with Devices
 - Kinetico 2060s Service Manual Enhanced eBook Features
7. Enhancing Your Reading Experience
 - Adjustable Fonts and Text Sizes of Kinetico 2060s Service Manual
 - Highlighting and Note-Taking Kinetico 2060s Service Manual
 - Interactive Elements Kinetico 2060s Service Manual
8. Staying Engaged with Kinetico 2060s Service Manual

- Joining Online Reading Communities
 - Participating in Virtual Book Clubs
 - Following Authors and Publishers Kinetico 2060s Service Manual
9. Balancing eBooks and Physical Books Kinetico 2060s Service Manual
- Benefits of a Digital Library
 - Creating a Diverse Reading Collection Kinetico 2060s Service Manual
10. Overcoming Reading Challenges
- Dealing with Digital Eye Strain
 - Minimizing Distractions
 - Managing Screen Time
11. Cultivating a Reading Routine Kinetico 2060s Service Manual
- Setting Reading Goals Kinetico 2060s Service Manual
 - Carving Out Dedicated Reading Time
12. Sourcing Reliable Information of Kinetico 2060s Service Manual
- Fact-Checking eBook Content of Kinetico 2060s Service Manual
 - Distinguishing Credible Sources
13. Promoting Lifelong Learning
- Utilizing eBooks for Skill Development
 - Exploring Educational eBooks
14. Embracing eBook Trends
- Integration of Multimedia Elements
 - Interactive and Gamified eBooks

Kinetico 2060s Service Manual Introduction

In the digital age, access to information has become easier than ever before. The ability to download Kinetico 2060s Service Manual has revolutionized the way we consume written content. Whether you are a student looking for course material, an avid reader searching for your next favorite book, or a professional seeking research papers, the option to download Kinetico 2060s Service Manual has opened up a world of possibilities. Downloading Kinetico 2060s Service Manual provides numerous advantages over physical copies of books and documents. Firstly, it is incredibly convenient. Gone are the days of carrying around heavy textbooks or bulky folders filled with papers. With the click of a button, you can gain immediate

access to valuable resources on any device. This convenience allows for efficient studying, researching, and reading on the go. Moreover, the cost-effective nature of downloading Kinetico 2060s Service Manual has democratized knowledge. Traditional books and academic journals can be expensive, making it difficult for individuals with limited financial resources to access information. By offering free PDF downloads, publishers and authors are enabling a wider audience to benefit from their work. This inclusivity promotes equal opportunities for learning and personal growth. There are numerous websites and platforms where individuals can download Kinetico 2060s Service Manual. These websites range from academic databases offering research papers and journals to online libraries with an expansive collection of books from various genres. Many authors and publishers also upload their work to specific websites, granting readers access to their content without any charge. These platforms not only provide access to existing literature but also serve as an excellent platform for undiscovered authors to share their work with the world. However, it is essential to be cautious while downloading Kinetico 2060s Service Manual. Some websites may offer pirated or illegally obtained copies of copyrighted material. Engaging in such activities not only violates copyright laws but also undermines the efforts of authors, publishers, and researchers. To ensure ethical downloading, it is advisable to utilize reputable websites that prioritize the legal distribution of content. When downloading Kinetico 2060s Service Manual, users should also consider the potential security risks associated with online platforms. Malicious actors may exploit vulnerabilities in unprotected websites to distribute malware or steal personal information. To protect themselves, individuals should ensure their devices have reliable antivirus software installed and validate the legitimacy of the websites they are downloading from. In conclusion, the ability to download Kinetico 2060s Service Manual has transformed the way we access information. With the convenience, cost-effectiveness, and accessibility it offers, free PDF downloads have become a popular choice for students, researchers, and book lovers worldwide. However, it is crucial to engage in ethical downloading practices and prioritize personal security when utilizing online platforms. By doing so, individuals can make the most of the vast array of free PDF resources available and embark on a journey of continuous learning and intellectual growth.

FAQs About Kinetico 2060s Service Manual Books

1. Where can I buy Kinetico 2060s Service Manual books? Bookstores: Physical bookstores like Barnes & Noble, Waterstones, and independent local stores. Online Retailers: Amazon, Book Depository, and various online bookstores offer a wide range of books in physical and digital formats.
2. What are the different book formats available? Hardcover: Sturdy and durable, usually more expensive. Paperback:

- Cheaper, lighter, and more portable than hardcovers. E-books: Digital books available for e-readers like Kindle or software like Apple Books, Kindle, and Google Play Books.
3. How do I choose a Kinetico 2060s Service Manual book to read? Genres: Consider the genre you enjoy (fiction, non-fiction, mystery, sci-fi, etc.). Recommendations: Ask friends, join book clubs, or explore online reviews and recommendations. Author: If you like a particular author, you might enjoy more of their work.
 4. How do I take care of Kinetico 2060s Service Manual books? Storage: Keep them away from direct sunlight and in a dry environment. Handling: Avoid folding pages, use bookmarks, and handle them with clean hands. Cleaning: Gently dust the covers and pages occasionally.
 5. Can I borrow books without buying them? Public Libraries: Local libraries offer a wide range of books for borrowing. Book Swaps: Community book exchanges or online platforms where people exchange books.
 6. How can I track my reading progress or manage my book collection? Book Tracking Apps: Goodreads, LibraryThing, and Book Catalogue are popular apps for tracking your reading progress and managing book collections. Spreadsheets: You can create your own spreadsheet to track books read, ratings, and other details.
 7. What are Kinetico 2060s Service Manual audiobooks, and where can I find them? Audiobooks: Audio recordings of books, perfect for listening while commuting or multitasking. Platforms: Audible, LibriVox, and Google Play Books offer a wide selection of audiobooks.
 8. How do I support authors or the book industry? Buy Books: Purchase books from authors or independent bookstores. Reviews: Leave reviews on platforms like Goodreads or Amazon. Promotion: Share your favorite books on social media or recommend them to friends.
 9. Are there book clubs or reading communities I can join? Local Clubs: Check for local book clubs in libraries or community centers. Online Communities: Platforms like Goodreads have virtual book clubs and discussion groups.
 10. Can I read Kinetico 2060s Service Manual books for free? Public Domain Books: Many classic books are available for free as they're in the public domain. Free E-books: Some websites offer free e-books legally, like Project Gutenberg or Open Library.

Find Kinetico 2060s Service Manual :

greed inc why corporations rule our world

~~greatest stories never told 100 tales from history to astonish bewilder and stupefy~~

grief and gender 700-1700

greek vegetarian cooking colorful dishes from the eastern shore of the mediterranean

green river daydreams a novel

green odyssey

greater efficiency in the small office

greatest risk of all why successful people take chances and why you should

greet the season

green grass of wyoming 1st edition

green computer communications ieee press selected reprint series

greek architects at work problems of structure and design elek archaeology and anthropology

greek bridal

gretas revenge

green world of the naturalists

Kinetico 2060s Service Manual :

Explaining Psychological Statistics, 3rd... by Cohen, Barry H. This comprehensive graduate-level statistics text is aimed at students with a minimal background in the area or those who are wary of the subject matter. Explaining Psychological Statistics 3th (third) edition Explaining Psychological Statistics 3th (third) edition ; Print length. 0 pages ; Language. English ; Publication date. January 1, 2007 ; ASIN, B006QZ9VN0. Explaining psychological statistics, 3rd ed. by BH Cohen · 2008 · Cited by 1434 — Cohen, B. H. (2008). Explaining psychological statistics (3rd ed.). John Wiley & Sons Inc. Abstract. This edition retains the basic organization of the previous ... barry cohen - explaining psychological statistics - AbeBooks Explaining Psychological Statistics · Price: US\$ 5.76 ; Explaining Psychological Statistics, 3rd Edition · Price: US\$ 6.25 ; Explaining Psychological Statistics. Explaining Psychological Statistics - Barry H. Cohen This comprehensive graduate-level statistics text is aimed at students with a minimal background in the area or those who are wary of the subject matter. Explaining Psychological Statistics Cohen 3rd Edition Pdf Explaining Psychological Statistics Cohen 3rd Edition Pdf. INTRODUCTION Explaining Psychological Statistics Cohen 3rd Edition Pdf Full PDF. Explaining Psychological Statistics, 3rd Edition - Hardcover This comprehensive graduate-level statistics text is aimed at students with a minimal background in the area or those who are wary of the subject matter. Explaining Psychological Statistics | Rent | 9780470007181 Rent Explaining Psychological Statistics 3rd edition (978-0470007181) today, or search our site for other textbooks by Barry H. Cohen. EXPLAINING PSYCHOLOGICAL STATISTICS, 3RD ... EXPLAINING PSYCHOLOGICAL STATISTICS, 3RD EDITION By Barry H. Cohen - Hardcover ; Item Number. 186040771674 ; ISBN-10. 0470007184 ; Book Title. Explaining ... Explaining

Psychological Statistics, 3rd Edition, Cohen ... Explaining Psychological Statistics, 3rd Edition, Cohen, Barry H., Good Book ; Est. delivery. Wed, Dec 27 - Tue, Jan 2. From New York, New York, United States. Global Regents Review Packet 17 Base your answer to the following question on the excerpt below and on your knowledge of social studies. This excerpt is taken from a poem written about World ... REGENTS EXAM IN GLOBAL HISTORY AND ... Aug 13, 2019 — This examination has three parts. You are to answer all questions in all parts. Use black or dark-blue ink to write your answers to Parts II and ... Global History Regents Review | June 2023 Multiple-Choice ... GLOBAL REGENTS REVIEW PACKET 15 - PAGE 1 of 29 GLOBAL REGENTS REVIEW PACKET 15 - PAGE 18 of 29. Base your answers to the following two questions on the statements below and on your knowledge of social ... U.S. HISTORY AND GOVERNMENT New York State Regents Review: U.S. History and Government is a review text for students preparing to take the 11th-grade New York State Regents examination. Global History Regents Review: Practice Test From ... - YouTube REGENTS EXAM IN GLOBAL HISTORY AND ... Jan 23, 2020 — This examination has three parts. You are to answer all questions in all parts. Use black or dark-blue ink to write your answers to Parts II and ... Global History and Geography II Rating Guide January 2023 Jan 26, 2023 — in the Information Booklet for Scoring the Regents Examination in Global History and Geography II. Rating the CRQ (open-ended) Questions. (1) ... regents united state history and government Short review notes for the entire U.S. history course focusing on material covered on the NY State Regents multiple-choice section. Additionally, provides. Guerrilla Warfare in the American Revolution | Tactics & ... Explore privateering, mixed warfare, and guerrilla tactics in the Revolutionary War. Discover the effects of Revolutionary War tactics on the outcome of ... Pdms 2 scoring manual Peabody developmental motor scales and activity cards. Pdms standard scores. Pdms 2 scoring manual pdf. Publication date: 2000 Age range: Birth through age 5 ... Guidelines to PDMS-2 Raw Scores: • Add scores from each subtest evaluated. -Example Grasping and Visual-Motor are subtests for fine motor evaluations. Peabody Developmental Motor Scales, Third Edition The PDMS-3 norms are based on an all-new sample of ... There are no tables in the PDMS-3 manual - all scores are calculated using the online scoring system. (PDMS-2) Peabody Developmental Motor Scales, Second ... Benefit. Assesses both qualitative and quantitative aspects of gross and fine motor development in young children; recommends specific interventions ; Norms. Peabody Developmental Motor Scales-Third Edition ... The PDMS-3 Online Scoring and Report System yields four types of normative scores: ... The PDMS-3 norms are based on an all-new sample of 1,452 children who were ... Peabody Developmental Motor Scale (PDMS-2) This subtest measures a child's ability to manipulate balls, such as catching, throwing and kicking · These skills are not apparent until a child is 11 months ... PDMS-2 Peabody Developmental Motor Scales 2nd Edition Access three composite scores: Gross Motor Quotient, Fine Motor Quotient, and Total Motor Quotient. Helps facilitate the child's development in specific skill ... PDMS-2 Peabody Developmental Motor Scales 2nd Edition Norms: Standard Scores, Percentile Ranks, and Age ... Access three composite scores: Gross Motor Quotient, Fine Motor Quotient, and Total Motor Quotient. Peabody

Developmental Motor Scales High scores on this composite are made by children with well-developed gross motor abilities. These children would have above average movement and balance ...