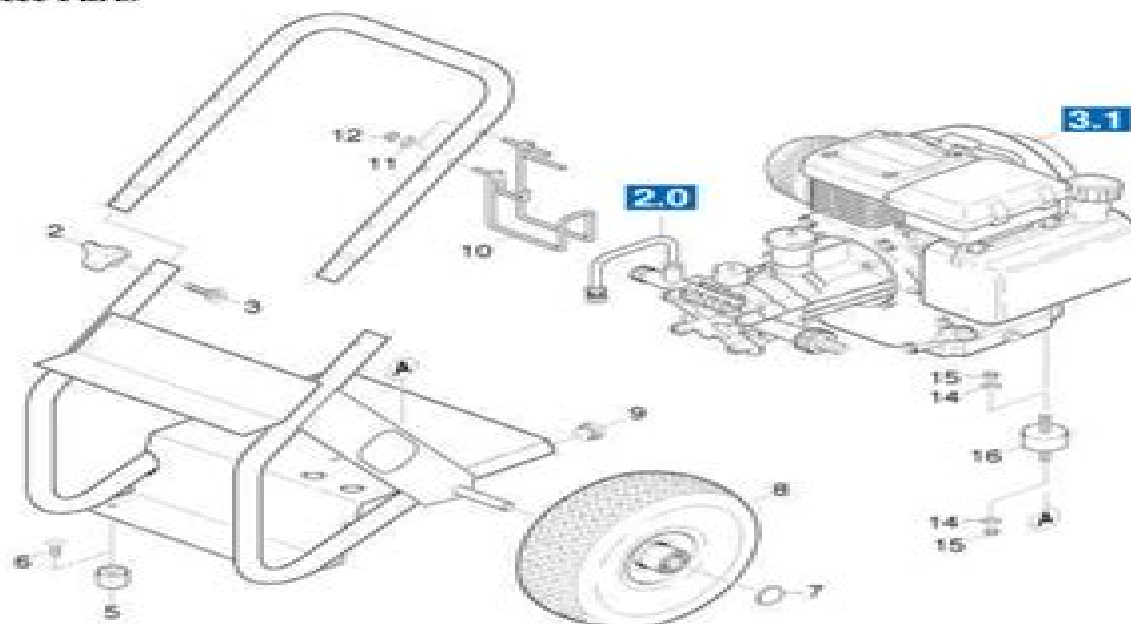


**Caution: Mechanical & Electrical Hazards.** Repairs should only be made by authorized and qualified Kärcher service technicians. This parts list should be used as a guide only. In all cases refer to your recent DSIS CD for any further updates. Some accessories shown may be different than current model or optional equipment.

**Kärcher Canada K 2400HH 1.194-301 as per DSIS 10/2003**  
**1.0 Piece Parts**



pos	description	part No.	qty	information
2	CONTROL KNOB	9.182-353.0	2	
3	SAUCER-HEAD SCREW	9.196-304.0	2	
5	RUBBER BUFFER	9.183-401.0	2	
6	BOLT	9.196-308.0	2	
7	CAP	9.182-004.0	2	
8	WHEEL	9.189-007.0	2	
9	PLUG	9.183-001.0	2	
10	BRACKET	9.142-010.0	1	
11	WASHER	9.198-003.0	2	
12	NUT	5.310-105.0	2	
14	WASHER	7.312-004.0	8	
15	NUT	9.197-002.0	8	
16	SPACER	9.183-403.0	4	

# Karcher K 2400 Manual

**LL Leslie**



**Karcher K 2400 Manual:**

When people should go to the books stores, search establishment by shop, shelf by shelf, it is in point of fact problematic. This is why we allow the book compilations in this website. It will categorically ease you to see guide **Karcher K 2400 Manual** as you such as.

By searching the title, publisher, or authors of guide you in reality want, you can discover them rapidly. In the house, workplace, or perhaps in your method can be every best area within net connections. If you ambition to download and install the Karcher K 2400 Manual, it is unconditionally easy then, back currently we extend the link to purchase and make bargains to download and install Karcher K 2400 Manual therefore simple!

[https://staging.conocer.cide.edu/files/detail/Download\\_PDFS/how\\_its\\_done\\_an\\_invitation\\_to\\_social\\_research.pdf](https://staging.conocer.cide.edu/files/detail/Download_PDFS/how_its_done_an_invitation_to_social_research.pdf)

## **Table of Contents Karcher K 2400 Manual**

1. Understanding the eBook Karcher K 2400 Manual
  - The Rise of Digital Reading Karcher K 2400 Manual
  - Advantages of eBooks Over Traditional Books
2. Identifying Karcher K 2400 Manual
  - Exploring Different Genres
  - Considering Fiction vs. Non-Fiction
  - Determining Your Reading Goals
3. Choosing the Right eBook Platform
  - Popular eBook Platforms
  - Features to Look for in an Karcher K 2400 Manual
  - User-Friendly Interface
4. Exploring eBook Recommendations from Karcher K 2400 Manual
  - Personalized Recommendations
  - Karcher K 2400 Manual User Reviews and Ratings
  - Karcher K 2400 Manual and Bestseller Lists

5. Accessing Karcher K 2400 Manual Free and Paid eBooks
  - Karcher K 2400 Manual Public Domain eBooks
  - Karcher K 2400 Manual eBook Subscription Services
  - Karcher K 2400 Manual Budget-Friendly Options
6. Navigating Karcher K 2400 Manual eBook Formats
  - ePub, PDF, MOBI, and More
  - Karcher K 2400 Manual Compatibility with Devices
  - Karcher K 2400 Manual Enhanced eBook Features
7. Enhancing Your Reading Experience
  - Adjustable Fonts and Text Sizes of Karcher K 2400 Manual
  - Highlighting and Note-Taking Karcher K 2400 Manual
  - Interactive Elements Karcher K 2400 Manual
8. Staying Engaged with Karcher K 2400 Manual
  - Joining Online Reading Communities
  - Participating in Virtual Book Clubs
  - Following Authors and Publishers Karcher K 2400 Manual
9. Balancing eBooks and Physical Books Karcher K 2400 Manual
  - Benefits of a Digital Library
  - Creating a Diverse Reading Collection Karcher K 2400 Manual
10. Overcoming Reading Challenges
  - Dealing with Digital Eye Strain
  - Minimizing Distractions
  - Managing Screen Time
11. Cultivating a Reading Routine Karcher K 2400 Manual
  - Setting Reading Goals Karcher K 2400 Manual
  - Carving Out Dedicated Reading Time
12. Sourcing Reliable Information of Karcher K 2400 Manual
  - Fact-Checking eBook Content of Karcher K 2400 Manual
  - Distinguishing Credible Sources
13. Promoting Lifelong Learning

- Utilizing eBooks for Skill Development
  - Exploring Educational eBooks
14. Embracing eBook Trends
- Integration of Multimedia Elements
  - Interactive and Gamified eBooks

### **Karcher K 2400 Manual Introduction**

In today's digital age, the availability of Karcher K 2400 Manual books and manuals for download has revolutionized the way we access information. Gone are the days of physically flipping through pages and carrying heavy textbooks or manuals. With just a few clicks, we can now access a wealth of knowledge from the comfort of our own homes or on the go. This article will explore the advantages of Karcher K 2400 Manual books and manuals for download, along with some popular platforms that offer these resources. One of the significant advantages of Karcher K 2400 Manual books and manuals for download is the cost-saving aspect. Traditional books and manuals can be costly, especially if you need to purchase several of them for educational or professional purposes. By accessing Karcher K 2400 Manual versions, you eliminate the need to spend money on physical copies. This not only saves you money but also reduces the environmental impact associated with book production and transportation. Furthermore, Karcher K 2400 Manual books and manuals for download are incredibly convenient. With just a computer or smartphone and an internet connection, you can access a vast library of resources on any subject imaginable. Whether you're a student looking for textbooks, a professional seeking industry-specific manuals, or someone interested in self-improvement, these digital resources provide an efficient and accessible means of acquiring knowledge. Moreover, PDF books and manuals offer a range of benefits compared to other digital formats. PDF files are designed to retain their formatting regardless of the device used to open them. This ensures that the content appears exactly as intended by the author, with no loss of formatting or missing graphics. Additionally, PDF files can be easily annotated, bookmarked, and searched for specific terms, making them highly practical for studying or referencing. When it comes to accessing Karcher K 2400 Manual books and manuals, several platforms offer an extensive collection of resources. One such platform is Project Gutenberg, a nonprofit organization that provides over 60,000 free eBooks. These books are primarily in the public domain, meaning they can be freely distributed and downloaded. Project Gutenberg offers a wide range of classic literature, making it an excellent resource for literature enthusiasts. Another popular platform for Karcher K 2400 Manual books and manuals is Open Library. Open Library is an initiative of the Internet Archive, a non-profit organization dedicated to digitizing cultural artifacts and making them accessible to the public. Open Library hosts millions of books, including both public domain works and contemporary titles. It also allows users to borrow digital copies of certain books for a limited

period, similar to a library lending system. Additionally, many universities and educational institutions have their own digital libraries that provide free access to PDF books and manuals. These libraries often offer academic texts, research papers, and technical manuals, making them invaluable resources for students and researchers. Some notable examples include MIT OpenCourseWare, which offers free access to course materials from the Massachusetts Institute of Technology, and the Digital Public Library of America, which provides a vast collection of digitized books and historical documents. In conclusion, Karcher K 2400 Manual books and manuals for download have transformed the way we access information. They provide a cost-effective and convenient means of acquiring knowledge, offering the ability to access a vast library of resources at our fingertips. With platforms like Project Gutenberg, Open Library, and various digital libraries offered by educational institutions, we have access to an ever-expanding collection of books and manuals. Whether for educational, professional, or personal purposes, these digital resources serve as valuable tools for continuous learning and self-improvement. So why not take advantage of the vast world of Karcher K 2400 Manual books and manuals for download and embark on your journey of knowledge?

### **FAQs About Karcher K 2400 Manual Books**

How do I know which eBook platform is the best for me? Finding the best eBook platform depends on your reading preferences and device compatibility. Research different platforms, read user reviews, and explore their features before making a choice. Are free eBooks of good quality? Yes, many reputable platforms offer high-quality free eBooks, including classics and public domain works. However, make sure to verify the source to ensure the eBook credibility. Can I read eBooks without an eReader? Absolutely! Most eBook platforms offer webbased readers or mobile apps that allow you to read eBooks on your computer, tablet, or smartphone. How do I avoid digital eye strain while reading eBooks? To prevent digital eye strain, take regular breaks, adjust the font size and background color, and ensure proper lighting while reading eBooks. What the advantage of interactive eBooks? Interactive eBooks incorporate multimedia elements, quizzes, and activities, enhancing the reader engagement and providing a more immersive learning experience. Karcher K 2400 Manual is one of the best book in our library for free trial. We provide copy of Karcher K 2400 Manual in digital format, so the resources that you find are reliable. There are also many Ebooks of related with Karcher K 2400 Manual. Where to download Karcher K 2400 Manual online for free? Are you looking for Karcher K 2400 Manual PDF? This is definitely going to save you time and cash in something you should think about. If you trying to find then search around for online. Without a doubt there are numerous these available and many of them have the freedom. However without doubt you receive whatever you purchase. An alternate way to get ideas is always to check another Karcher K 2400 Manual. This method for see exactly what may be included and

adopt these ideas to your book. This site will almost certainly help you save time and effort, money and stress. If you are looking for free books then you really should consider finding to assist you try this. Several of Karcher K 2400 Manual are for sale to free while some are payable. If you arent sure if the books you would like to download works with for usage along with your computer, it is possible to download free trials. The free guides make it easy for someone to free access online library for download books to your device. You can get free download on free trial for lots of books categories. Our library is the biggest of these that have literally hundreds of thousands of different products categories represented. You will also see that there are specific sites catered to different product types or categories, brands or niches related with Karcher K 2400 Manual. So depending on what exactly you are searching, you will be able to choose e books to suit your own need. Need to access completely for Campbell Biology Seventh Edition book? Access Ebook without any digging. And by having access to our ebook online or by storing it on your computer, you have convenient answers with Karcher K 2400 Manual To get started finding Karcher K 2400 Manual, you are right to find our website which has a comprehensive collection of books online. Our library is the biggest of these that have literally hundreds of thousands of different products represented. You will also see that there are specific sites catered to different categories or niches related with Karcher K 2400 Manual So depending on what exactly you are searching, you will be able to choose ebook to suit your own need. Thank you for reading Karcher K 2400 Manual. Maybe you have knowledge that, people have search numerous times for their favorite readings like this Karcher K 2400 Manual, but end up in harmful downloads. Rather than reading a good book with a cup of coffee in the afternoon, instead they juggled with some harmful bugs inside their laptop. Karcher K 2400 Manual is available in our book collection an online access to it is set as public so you can download it instantly. Our digital library spans in multiple locations, allowing you to get the most less latency time to download any of our books like this one. Merely said, Karcher K 2400 Manual is universally compatible with any devices to read.

### **Find Karcher K 2400 Manual :**

*how its done an invitation to social research*

**how tall was milton**

how to be successful in reading studying taking exams and writing in college

~~how to avoid huge ships~~

how it works the world of flight

**how to be president of the usa**

how the finnegans saved the ship

how to be an antiques detective



how things began

how christian is our present-day theology

**how to be a medium**

**how movies work**

*how did you think of that an introduction to the scientific method*

how to be an ancient egyptian prince

how bullfrog found his sound

**Karcher K 2400 Manual :**

**price mini poha mill project report download only apidev** - Mar 23 2022

web price mini poha mill project report 1 price mini poha mill project report right here we have countless books price mini poha mill project report and collections to check out we additionally give variant types and plus type of the books to browse the usual book fiction history novel scientific research as

**price mini poha mill project report bespoke cityam** - Jul 27 2022

web price mini poha mill project report project report rs automatic mini rice mill plant project report with cost south africa ore crusher plant poha mill project report for sale prices poha mill project mini rice mill home technology selling price varies depending on quality and product mix average has been taken information manager

**project report for roasted rice flakes poha** - Aug 08 2023

web more than 700 best project reports that can boost your chances of loan approval create reports for roasted rice flakes poha poha manufacturing aval manufacturng pauaa manufacturing flattened rice manufacturing chuda manufacturing beaten rice manufacturing chira manufacturing now

priceminipohamillprojectreport rspeters - May 25 2022

web price mini poha mill project report mini rice mill sagar may 7th 2018 project cost capital investment s no description amount rs 1 fixed capital 450000 mini rice mill india is the price mini poha mill project report lindungibumi bayer download books price mini poha mill project report for free books price mini poha mill project poha mill

price mini poha mill project report pdf download only - Oct 30 2022

web price mini poha mill project report pdf 1 1 downloaded from do ceolas co uk on january 22 2023 by guest price mini poha mill project report pdf as recognized adventure as capably as experience roughly lesson amusement as well as deal can be gotten by

poha rice flakes manufacturing plant detailed project report - Sep 09 2023

web detailed project reports profiles on poha rice flakes manufacturing plant detailed project report profile business plan industry trends market research survey manufacturing process machinery raw materials feasibility study investment opportunities cost and revenue plant layout

**price mini poha mill project report stage gapinc** - Jul 07 2023

web price mini poha mill project report downloaded from stage gapinc com by guest ewing angelique andhra pradesh priorities niir project consultanc y services breadfruit has been cultivated by people for thousands of years in highly productive plantings together with numerous other crops this book was written for commercial and

**price mini poha mill project report download only ftp dartgo** - Apr 23 2022

web price mini poha mill project report 5 5 this handbook breaks new ground in showing growers how to plan and implement agroforestry that emphasizes breadfruit production in so doing growers can design their production to be resilient to changes in weather and market prices and build a stronger local food system in the process startup projects for

[poha manufacturing project report flattened rice business plan](#) - Oct 10 2023

web the cost of a poha producing machine varies between rs 80 000 and rs 1 50 000 detailed information on machines along with pictures is in the poha mill project report along with installing poha making machine you can also set up rice bran oil making machine so that two products that are made of rice can be manufactured and sold in the market

*poha manufacturing project report flattened rice business plan price* - May 05 2023

web downloadable poha manufacturing project report levelled rice business plan in pdf format includes machinery manufacturing process materials market investment

**price mini poha mill project report store spiralny** - Feb 19 2022

web price mini poha mill project report 1 price mini poha mill project report koyana project area survey report rice in human nutrition proceedings of the workshop on gaon ke karigar aur science village artisans aur science 28 october 1979 2 november 1979 bardoli gujarat arsenic rice cereal processing

[poha mill machine project report crusher mills cone crusher](#) - Feb 02 2023

web computerized project price reports project report rs each project report costs you indian rupees inrs 500 only poha l rice milling l rice packing l rice polisher l

**price mini poha mill project report pdf full pdf bukuclone ortax** - Jan 01 2023

web price mini poha mill project report pdf pages 2 30 price mini poha mill project report pdf upload betty y hayda 2 30 downloaded from bukuclone ortax org on september 9 2023 by betty y hayda for a better understanding of the basic problems of war and the manner in which these problems were met thus augmenting his understanding of

*price mini poha mill project report mypthub com* - Nov 30 2022

web price mini poha mill project report may 3rd 2018 prices for each computerized sample projects is rs 4 6 1351 ratings  
poha mill project report in 2012 mini dal mill project report pdf india rice poha mill mini plant website tv eu may 1st 2018  
any new poha mill project report visit to poha mill mini rice mill in india get

[project report poha making](#) - Sep 28 2022

web jan 26 2022 project report poha making with 30 years experience in project consultation services industrial project  
reports for more than 1000 projects are available the compendiums for many projects are posted here we have also created  
separate list of 251 feasible projects wednesday january 26 2022 poha making

**download solutions price mini poha mill project report** - Jun 25 2022

web price mini poha mill project report hand book of aromatic medicinal plants and biodiesel jatropha sep 01 2021 caraleigh  
apr 27 2021 the caraleigh neighborhood in south raleigh was founded in 1892 with the opening of a cotton mill fertilizer  
plant and workers town the old textile complex with its immense brick structures continue

*poha mills cut output by 20 prices soar times of india* - Mar 03 2023

web apr 17 2022 poha mills cut output by 20 prices soar tnn apr 18 2022 03 34 ist cost of poha in ujjain has shot up by rs  
200 300 per quintal in a month said manufacturers india reports 11 692

[project report on rice flack mill space consultancy services](#) - Jun 06 2023

web in rice flack mill detailed project report here we cover depreciation in various assets such as building machinery  
equipment s and other assets rice flack mill cost in detailed project report here we cover the mill cost packaging  
transportation cost marketing cost and other costs of products break even analysis

**poha in pune** ☐ ☐ ☐ **latest price mandi rates from dealers in pune** - Aug 28 2022

web find here details of companies selling poha in pune ☐ ☐ ☐ ☐ ☐ ☐ maharashtra get latest info on poha suppliers  
wholesale suppliers retailers traders with poha poha chiwda flattened rice prices for buying  
rkvy - Apr 04 2023

web rkvy

[graduates students anglogold ashanti](#) - May 31 2022

web we offer full time bursary assistance work exposure vacation and graduate training opportunities for students are  
cyclical and are available from time to time be sure to

**anglo american bursary 2023 2024 anglo american platinum** - Dec 26 2021

web by sabursaries the anglo american platinum bursary offers more than financial aid to study it also includes medical aid  
and a computer allowance there is also a real chance

**get anglogold ashanti bursary application us legal forms** - Apr 29 2022

web complete anglogold ashanti bursary application online with us legal forms easily fill out pdf blank edit and sign them save or instantly send your ready documents

**anglo gold ashanti bursary sa 2023 2024 pdf online form** - Feb 25 2022

web dec 1 2022 child of a anglo gold ashanti employee how to apply for the bursary applications must be done online at anglogoldashanti sv co za

**angloamerican bursary application form 2015 housing gov mv** - Jan 07 2023

web may 9th 2018 angloamerican bursary application form 2015 ebooks angloamerican bursary application form 2015 is available on pdf epub and doc format you can

*angloamerican bursary application form 2015* - Nov 05 2022

web plainly put the angloamerican bursary application form 2015 is widely compatible with any devices to download so once you requisite the books quickly you can straight get

**anglo gold bursary 2015 application form download only** - Oct 24 2021

web 2 anglo gold bursary 2015 application form 2022 02 03 merchant banking families pursuing both profit and status gradually gave way to a new one dominated by large

*anglo gold bursary 2015 application form* - Dec 06 2022

web bursaries south anglo gold ashanti bursary closing date for 2015 acknex de brilliant coad3 pdf brilliant coad3 org anglo gold bursary 2015 application

**notes and instructions for use anglo american** - Nov 24 2021

web or e mail scans of the application form and supporting documents to bursaries angloplat com keeping the original documents in your records or call us at

application for anglo platinum bursary university - Mar 29 2022

web application for anglo platinum bursary please complete the application form as thoroughly as possible in black ink and send it to the bursaries department

*anglo platinum bursary o3schools* - Sep 03 2022

web notes and instructions for use please read carefully before completing the form the closing date for applications for anglo platinum

**anglogoldbursary2015applicationform book** - Aug 02 2022

web anglo gold bursary 2015 application form pdf free download here anglo gold bursary 2015 application form mybooklibrary com pdf anglogoldbursary2015applicationform

**anglo gold bursary 2015 application form full pdf** - Mar 09 2023

web ease as sharpness of this anglo gold bursary 2015 application form can be taken as with ease as picked to act anglo gold bursary 2015 application form downloaded

**get the free anglo gold bursary 2015 application form pdf filler** - Jun 12 2023

web 1 set up an account if you are a new user click start free trial and establish a profile 2 prepare a file use the add new button then upload your file to the system from your

**anglo gold bursary 2015 application form uniport edu** - Oct 04 2022

web may 19 2023 we have enough money anglo gold bursary 2015 application form and numerous book collections from fictions to scientific research in any way in the middle of

**anglo gold engineering bursary 2015 application form** - May 11 2023

web anglo gold engineering bursary 2015 application form by admin july 17 2014 0 comment anglo gold engineering bursary 2015 application form post navigation

**anglo gold bursary 2015 application form** - Feb 08 2023

web anglo gold bursary 2015 application form but end up in dangerous downloads solely expressed the anglo gold bursary 2015 application

get the free anglo gold bursary 2015 application form pdf filler - Jul 13 2023

web anglo gold bursary 2015 application form free pdf e book download anglo gold bursary 2015 application form download or read online e book anglo gold bursary

anglo gold ashanti bursary fill out sign online dochub anglo - Jul 01 2022

web edit sign and portion anglogold ashanti bursary technology online no need to setup software just go to dochub and drawing up instantly and for free

**apply now anglo american south africa** - Jan 27 2022

web please check the various business units application dates before applying for a bursary or graduate position

**bursary application 2022** - Aug 14 2023

web applications may be submitted via post to the bursary department anglogold ashanti p o box 62117 marshalltown 2107 incomplete

anglo american bursary application 2015 bursaries - Sep 22 2021

web anglo american bursary application 2015 leave a reply cancel reply your email address will not be published required fields are marked comment name

*anglo gold bursary 2015 application form pdf full pdf red ortax* - Apr 10 2023

web anglo gold bursary 2015 application form pdf introduction anglo gold bursary 2015 application form pdf full pdf uses of

heritage laurajane smith 2006 11 22

*50 adjectives to describe personality find the most fitting word* - Jul 14 2023

web aug 23 2022 advertisement neutral adjectives to describe personality along with positive and negative personality traits most people have those neutral middle of the road characteristics neutral personality adjectives help you describe your steadfast mom reflective friend and focused coworkers advertisement

personality adjectives vocabulary englishclub - Jun 13 2023

web personality noun the combination of qualities or characteristics that form a person s character personality adjectives are adjectives that we use to describe a person and their character or personality everybody is an individual so we all have different personalities

59 positive personality adjectives clark and miller - Jan 08 2023

web dec 8 2016 in this lesson you re going to learn 59 positive personality adjectives in english check out 66 negative personality adjectives here let s look at some positive words to describe people there are four main categories of positive personality adjectives let s imagine each category as a different person so let s meet them

personality types vocabulary word list britannica dictionary - Aug 03 2022

web adjectives that describe behavior and personality from abusive to witty

adjectives that describe personality english grammar notes - Mar 30 2022

web oct 27 2021 adjectives that describe personality list of adjectives describing personality with meaning and example

october 27 2021 by prasanna adjectives that describe personality in our world there are millions of people living each of them has a different culture history and personality

*list of 150 useful personality adjectives in english* - Oct 05 2022

web jan 15 2019 personality adjectives learn 150 useful adjectives to describe yourself or someone s personality in english academic accurate adaptable adorable adventurous affectionate aggressive agreeable alert alluring ambitious amused appreciative artistic assertive athletic attractive beautiful boastful bold brave bright bungling calm capable

personality adjectives 300 great adjectives describing 7esl - May 12 2023

web feb 27 2023 here you will find a comprehensive list of adjective words to describe personality in english with examples and pictures if you are telling someone about your grandmother and you want to be able to convey what a lovely person she is this would be a great time to use personality adjectives

*123 positive personality adjectives to use for your characters* - Dec 27 2021

web may 5 2021 which positive personality adjectives define your characters now that you have this list of 123 positive personality words which ones stand out the most for the character you have in mind once you round up the best words to

describe their personality you can look for ways to make those words come alive in your story

**adjectives that describe personality word list esol courses** - Sep 04 2022

web adjectives used to describe a person's character and personality traits a free online esl lesson with clear example sentences using words like affectionate sympathetic to aggressive egotistical suitable for classroom use or self study at home  
*70 useful adjectives to describe personality positive negative* - Aug 15 2023

web personality adjectives describe the positive and negative aspects of someone's personality words like generous enthusiastic meticulous and outgoing are positive adjectives words like indecisive tactless fussy and grumpy are negative adjectives

*125 positive words and adjectives to describe yourself* - Feb 26 2022

web jul 31 2023 125 positive words and adjectives to describe yourself indeed editorial team updated july 31 2023

interviewers may ask you to describe yourself throughout the interview process to learn more about your life experience and personality traits

adjectives describing personality personality adjectives list - Apr 30 2022

web oct 11 2022 personality adjectives are a specific set of words used to describe the personalities of people around us their nature behavior and other personality traits that set them apart from others they are specific classes of adjectives that help us expand on the character of a person

*101 personality adjectives and character traits in english flash* - Mar 10 2023

web 101 adjectives to describe a person's personality and character traits in english with example sentences in this english resource we look at positive adjectives to help describe a person's personality and character while most of these adjectives are considered positive some people may consider some of them negative

**750 adjective words to describe personality starts with** - Jun 01 2022

web here is a list of different adjectives to describe personality organized by different personality traits if someone is outgoing and loves to be around people you might describe them as extroverted gregarious outgoing social talkative read 200 adjective words to describe sunset scene

personality definition theories traits types verywell mind - Jan 28 2022

web may 1 2023 personality disorders personality describes the unique patterns of thoughts feelings and behaviors that distinguish a person from others a product of both biology and environment it remains fairly consistent throughout life examples of personality can be found in how we describe other people's traits

**214 useful personality adjectives simplicable** - Feb 09 2023

web feb 20 2022 personality adjectives are words to describe an individual's inherent or foundational characteristics this

includes descriptions of how a person thinks feels behaves and interacts the following are useful personality adjectives including those with both positive and negative connotations

**personality adjectives character traits vocabulary** - Apr 11 2023

web jun 22 2023 personality adjectives character traits in english 101 positive adjectives to describe a person while some of these adjectives are listed as positive some people may consider them negative how would you describe yourself in three words i am adaptable able to change in order to deal successfully with new situations

**positive personality adjectives vocabulary englishclub** - Dec 07 2022

web list of 100 common personality adjectives that describe people positively most people would consider the character traits described by the personality adjectives below to be good or positive this is generally true but remember

**personality adjectives learn english grammar personality adjectives** - Nov 06 2022

web overview order comparative possessive superlative a list of english adjectives used to describe people s personalities with dictionary look up double click on any word for its definition and pronunciation positive negative

*adjectives describing people and personal qualities argoprep* - Jul 02 2022

web when using adjectives to describe a person s personality you can use one of two types of words positive or negative when you use a positive adjective you are creating a positive image of the character negative adjectives on the other hand spotlight the negative characteristics of a person or character