

# Matrix GLITCHER

## Installation Diagrams Xbox360 Slim

### TOP SIDE

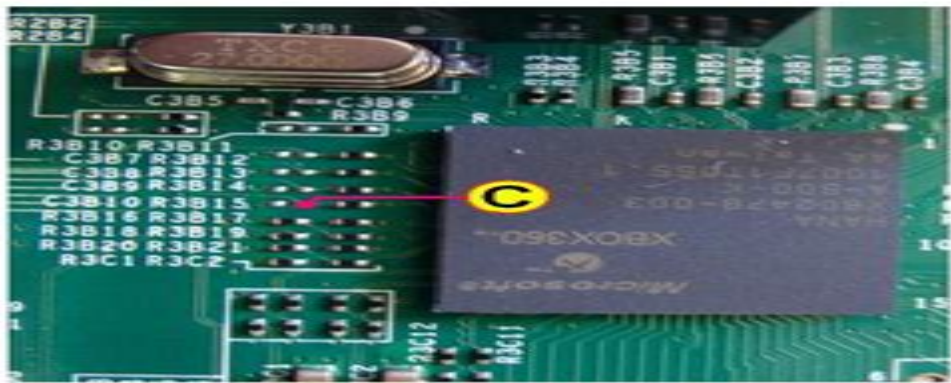
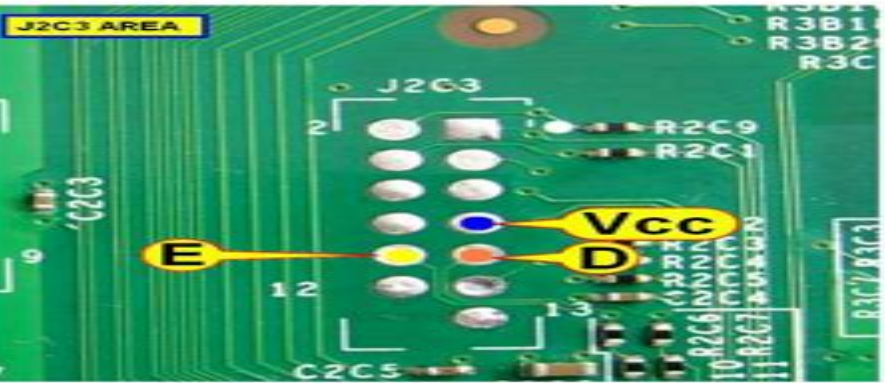


Close the two pads with a drop of solder to enable SLIM mode

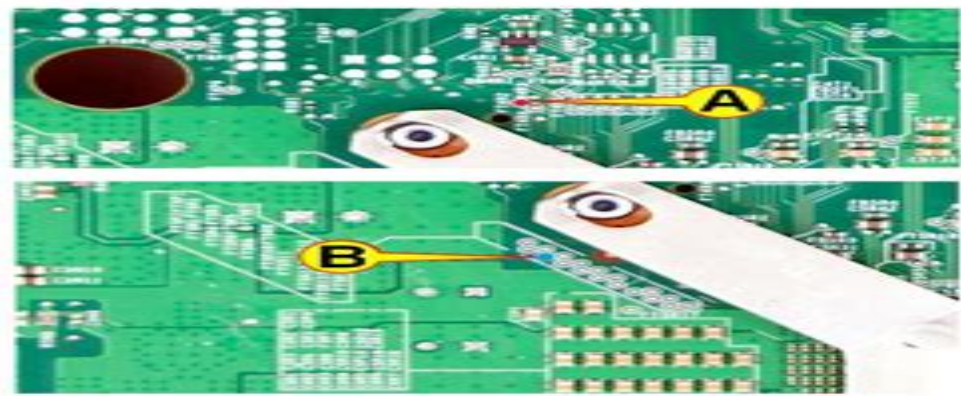


### TOP SIDE CONNECTIONS

- VCC: Connect to Pin 7 of J2C3 connector area
- GND: Connect to one of the metal fins of the video connector
- C : Connect to RIGHT SIDE of C3B10 Capacitor
- D : Connect to Pin 9 of J2C3 connector area
- E : Connect to Pin 10 of J2C3 connector area



### BOTTOM SIDE



# Matrix Glitcher 360 Manual

**CL Gary**



## **Matrix Glitcher 360 Manual:**

## **Matrix Glitcher 360 Manual** Book Review: Unveiling the Power of Words

In a world driven by information and connectivity, the ability of words has become more evident than ever. They have the capability to inspire, provoke, and ignite change. Such could be the essence of the book **Matrix Glitcher 360 Manual**, a literary masterpiece that delves deep into the significance of words and their affect our lives. Written by a renowned author, this captivating work takes readers on a transformative journey, unraveling the secrets and potential behind every word. In this review, we shall explore the book's key themes, examine its writing style, and analyze its overall impact on readers.

<https://staging.conocer.cide.edu/results/detail/index.jsp/Encyclopedia%20Of%20Veterinary%20Science%20Volume%20Ii.pdf>

### **Table of Contents Matrix Glitcher 360 Manual**

1. Understanding the eBook Matrix Glitcher 360 Manual
  - The Rise of Digital Reading Matrix Glitcher 360 Manual
  - Advantages of eBooks Over Traditional Books
2. Identifying Matrix Glitcher 360 Manual
  - Exploring Different Genres
  - Considering Fiction vs. Non-Fiction
  - Determining Your Reading Goals
3. Choosing the Right eBook Platform
  - Popular eBook Platforms
  - Features to Look for in an Matrix Glitcher 360 Manual
  - User-Friendly Interface
4. Exploring eBook Recommendations from Matrix Glitcher 360 Manual
  - Personalized Recommendations
  - Matrix Glitcher 360 Manual User Reviews and Ratings
  - Matrix Glitcher 360 Manual and Bestseller Lists
5. Accessing Matrix Glitcher 360 Manual Free and Paid eBooks

- Matrix Glitcher 360 Manual Public Domain eBooks
- Matrix Glitcher 360 Manual eBook Subscription Services
- Matrix Glitcher 360 Manual Budget-Friendly Options
- 6. Navigating Matrix Glitcher 360 Manual eBook Formats
  - ePub, PDF, MOBI, and More
  - Matrix Glitcher 360 Manual Compatibility with Devices
  - Matrix Glitcher 360 Manual Enhanced eBook Features
- 7. Enhancing Your Reading Experience
  - Adjustable Fonts and Text Sizes of Matrix Glitcher 360 Manual
  - Highlighting and Note-Taking Matrix Glitcher 360 Manual
  - Interactive Elements Matrix Glitcher 360 Manual
- 8. Staying Engaged with Matrix Glitcher 360 Manual
  - Joining Online Reading Communities
  - Participating in Virtual Book Clubs
  - Following Authors and Publishers Matrix Glitcher 360 Manual
- 9. Balancing eBooks and Physical Books Matrix Glitcher 360 Manual
  - Benefits of a Digital Library
  - Creating a Diverse Reading Collection Matrix Glitcher 360 Manual
- 10. Overcoming Reading Challenges
  - Dealing with Digital Eye Strain
  - Minimizing Distractions
  - Managing Screen Time
- 11. Cultivating a Reading Routine Matrix Glitcher 360 Manual
  - Setting Reading Goals Matrix Glitcher 360 Manual
  - Carving Out Dedicated Reading Time
- 12. Sourcing Reliable Information of Matrix Glitcher 360 Manual
  - Fact-Checking eBook Content of Matrix Glitcher 360 Manual
  - Distinguishing Credible Sources
- 13. Promoting Lifelong Learning
  - Utilizing eBooks for Skill Development

- Exploring Educational eBooks
- 14. Embracing eBook Trends
  - Integration of Multimedia Elements
  - Interactive and Gamified eBooks

### **Matrix Glitcher 360 Manual Introduction**

In today's digital age, the availability of Matrix Glitcher 360 Manual books and manuals for download has revolutionized the way we access information. Gone are the days of physically flipping through pages and carrying heavy textbooks or manuals. With just a few clicks, we can now access a wealth of knowledge from the comfort of our own homes or on the go. This article will explore the advantages of Matrix Glitcher 360 Manual books and manuals for download, along with some popular platforms that offer these resources. One of the significant advantages of Matrix Glitcher 360 Manual books and manuals for download is the cost-saving aspect. Traditional books and manuals can be costly, especially if you need to purchase several of them for educational or professional purposes. By accessing Matrix Glitcher 360 Manual versions, you eliminate the need to spend money on physical copies. This not only saves you money but also reduces the environmental impact associated with book production and transportation. Furthermore, Matrix Glitcher 360 Manual books and manuals for download are incredibly convenient. With just a computer or smartphone and an internet connection, you can access a vast library of resources on any subject imaginable. Whether you're a student looking for textbooks, a professional seeking industry-specific manuals, or someone interested in self-improvement, these digital resources provide an efficient and accessible means of acquiring knowledge. Moreover, PDF books and manuals offer a range of benefits compared to other digital formats. PDF files are designed to retain their formatting regardless of the device used to open them. This ensures that the content appears exactly as intended by the author, with no loss of formatting or missing graphics. Additionally, PDF files can be easily annotated, bookmarked, and searched for specific terms, making them highly practical for studying or referencing. When it comes to accessing Matrix Glitcher 360 Manual books and manuals, several platforms offer an extensive collection of resources. One such platform is Project Gutenberg, a nonprofit organization that provides over 60,000 free eBooks. These books are primarily in the public domain, meaning they can be freely distributed and downloaded. Project Gutenberg offers a wide range of classic literature, making it an excellent resource for literature enthusiasts. Another popular platform for Matrix Glitcher 360 Manual books and manuals is Open Library. Open Library is an initiative of the Internet Archive, a nonprofit organization dedicated to digitizing cultural artifacts and making them accessible to the public. Open Library hosts millions of books, including both public domain works and contemporary titles. It also allows users to borrow digital copies of certain books for a limited period, similar to a library lending system. Additionally, many universities and educational

institutions have their own digital libraries that provide free access to PDF books and manuals. These libraries often offer academic texts, research papers, and technical manuals, making them invaluable resources for students and researchers. Some notable examples include MIT OpenCourseWare, which offers free access to course materials from the Massachusetts Institute of Technology, and the Digital Public Library of America, which provides a vast collection of digitized books and historical documents. In conclusion, Matrix Glitcher 360 Manual books and manuals for download have transformed the way we access information. They provide a cost-effective and convenient means of acquiring knowledge, offering the ability to access a vast library of resources at our fingertips. With platforms like Project Gutenberg, Open Library, and various digital libraries offered by educational institutions, we have access to an ever-expanding collection of books and manuals. Whether for educational, professional, or personal purposes, these digital resources serve as valuable tools for continuous learning and self-improvement. So why not take advantage of the vast world of Matrix Glitcher 360 Manual books and manuals for download and embark on your journey of knowledge?

### **FAQs About Matrix Glitcher 360 Manual Books**

How do I know which eBook platform is the best for me? Finding the best eBook platform depends on your reading preferences and device compatibility. Research different platforms, read user reviews, and explore their features before making a choice. Are free eBooks of good quality? Yes, many reputable platforms offer high-quality free eBooks, including classics and public domain works. However, make sure to verify the source to ensure the eBook credibility. Can I read eBooks without an eReader? Absolutely! Most eBook platforms offer web-based readers or mobile apps that allow you to read eBooks on your computer, tablet, or smartphone. How do I avoid digital eye strain while reading eBooks? To prevent digital eye strain, take regular breaks, adjust the font size and background color, and ensure proper lighting while reading eBooks. What the advantage of interactive eBooks? Interactive eBooks incorporate multimedia elements, quizzes, and activities, enhancing the reader engagement and providing a more immersive learning experience. Matrix Glitcher 360 Manual is one of the best book in our library for free trial. We provide copy of Matrix Glitcher 360 Manual in digital format, so the resources that you find are reliable. There are also many Ebooks of related with Matrix Glitcher 360 Manual. Where to download Matrix Glitcher 360 Manual online for free? Are you looking for Matrix Glitcher 360 Manual PDF? This is definitely going to save you time and cash in something you should think about.



**Find Matrix Glitcher 360 Manual :**

[encyclopedia of veterinary science volume ii](#)

[ems question paper june exam](#)

**endocrine system quiz 7th grade**

*end of the year life science memorandum 2014*

[ems term question paper grade 8](#)

**encore tricolore nouvelle edition answers**

~~end of course us history vocabulary answer key~~

**empilweni nursing school branches**

*engine 4jelectrical schematics*

[enfin bref john cleese](#)

~~emt review tests aaos emergency tenth edition~~

~~ems end of the year examination 2014 grade 9~~

[energy in the ecosystem webquest answers](#)

**engelenmaker de stefan brijs**

~~en compagnie loup juliette personne~~

**Matrix Glitcher 360 Manual :**

**lucy andy neanderthal 2 the stone cold age issue** - Jan 29 2022

web lucy andy neanderthal the stone cold age isbn 0385388381 ean13 9780385388382 language english release date aug 29 2017 pages 224

**lucy andy neanderthal series by jeffrey brown goodreads** - Feb 10 2023

web apr 10 2018 every day is a snow day for lucy andy but life in the ice age isn t all fun and games these neanderthal siblings are back to their paleo pranks and they have to

**lucy and andy neanderthal the stone cold age 2 hardcover** - Aug 04 2022

web aug 29 2017 from the author of the new york times bestselling jedi academy books comes book two in the laugh out loud graphic novel series about neanderthal siblings

*lucy andy neanderthal the stone cold age 2 lucy and andy* - Oct 06 2022

web lucy and andy neanderthal the stone cold age 2 jeffrey brown amazon co uk books



[lucy andy neanderthal the stone cold age 2 paperback](#) - Mar 31 2022

web now available in paperback every day is a snow day for lucy andy but life in the ice age isn t all fun and games these neanderthal siblings are back to their paleo pranks

[lucy andy neanderthal the stone cold age penguin](#) - Aug 16 2023

web about lucy andy neanderthal the stone cold age from the author of the new york times bestselling jedi academy books comes book two in the laugh out loud graphic

*lucy andy neanderthal the stone cold age apple books* - Jan 09 2023

web apr 10 2018 jeffrey brown lucy andy neanderthal the stone cold age paperback illustrated april 10 2018 by jeffrey brown author 4 7 294 ratings book 2 of 3 lucy and

**lucy andy neanderthal the stone cold age paperback** - Nov 07 2022

web lucy and her goofball brother andy two neanderthal siblings living 40 000 years ago take on a wandering baby sibling bossy teens cave paintings and a mammoth hunt

**lucy andy neanderthal the stone cold age jeffrey brown** - Jul 03 2022

web lucy andy neanderthal the stone cold age 2 brown jeffrey amazon com au books

[lucy andy neanderthal the stone cold age lucy](#) - May 13 2023

web from the author of the new york times bestselling jedi academy books comes book two in the laugh out loud graphic novel series about neanderthal siblings lucy and andy

**lucy andy neanderthal the stone cold age lucy and andy** - Apr 12 2023

web the stone cold age by jeffrey brown 4 09 420 ratings 39 reviews published 2017 8 editions from the author of the new york times bestselling more want to read rate

*lucy andy neanderthal the stone cold age azora books* - Dec 28 2021

*lucy andy neanderthal the stone cold age memorial hall* - Sep 05 2022

web aug 29 2017 lucy andy are stone age rock stars i loved this book lincoln peirce author of the big nate series neanderthal siblings lucy and andy are back to their

**the stone cold age lucy and andy neanderthal series** - Dec 08 2022

web from the author of the new york times bestselling jedi academy books comes book two in the laugh out loud graphic novel series about neanderthal siblings lucy and andy

*lucy andy neanderthal the stone cold age google books* - Mar 11 2023

web from the author of the new york times bestselling jedi academy books comes book two in the laugh out loud graphic

novel series about neanderthal siblings lucy and andy

**lucy andy neanderthal the stone cold age second sale com** - Oct 26 2021

**the stone cold age overdrive** - Jun 02 2022

web aug 30 2016 jeffrey brown random house children s books aug 30 2016 juvenile fiction 240 pages 5 reviews reviews aren t verified but google checks for and

*lucy andy neanderthal jeffrey brown google books* - Feb 27 2022

web jeffrey brown lucy andy neanderthal the stone cold age 2 hardcover deckle edge 13 november 2017 by jeffrey brown author 4 7 296 ratings

**lucy andy neanderthal the stone cold age** - May 01 2022

web neanderthal siblings lucy and andy are back to their paleo pranks this time they have to put up with more than just each other the cave is feeling awfully cramped since the

**lucy andy neanderthal the stone cold age lucy** - Jun 14 2023

web aug 29 2017 isbn 9780385388382 from the author of the new york times bestselling jedi academy books comes book two in the laugh out loud graphic novel series about

**lucy andy neanderthal the stone cold age 2 hardcover** - Nov 26 2021

**the stone cold age lucy andy neanderthal 2** - Jul 15 2023

web aug 29 2017 lucy andy neanderthal the stone cold age lucy and andy neanderthal brown jeffrey 9780385388382 amazon com books books

**kieler rechtschreibaufbau gesamtausgabe thalia at** - Jun 01 2022

web der kieler rechtschreibaufbau unterstützt den weiteren lese und schreiblernprozess und behandelt die orthographischen schwierigkeiten die im kieler leseaufbau noch ausgeklammert bleiben die orientierung findet anhand der wörterlisten statt

**kieler leseaufbau gesamtausgabe c handbuch vorlagen** - Feb 26 2022

web kieler leseaufbau gesamtausgabe c handbuch vorlagen wörter und spielekartei ungeschnitten ausgabe c druckschrift handbuch vorlagen angepasst an die neue rechtschreibung dummer smoch lisa hackethal rene isbn 9783924173180

kostenloser versand für alle bücher mit versand und verkauf durch amazon

*kieler rechtschreibaufbau handbuch prolog shop* - Nov 06 2022

web das handbuch ist die theoretische grundlage und praktische anleitung des kieler rechtschreibaufbaus es enthält drei teile teil a grundlegung beschreibung und praktischer einsatz

**kieler rechtschreibaufbau gesamtausgabe handbuch spiele** - Apr 11 2023

web kieler rechtschreibaufbau gesamtausgabe handbuch spiele teil 1 und 2 druckschrift Übungskartei druckschrift mit beilage quick check für die rechtschreibung dummer smoch lisa hackethal reate amazon com tr kitap

[kieler rechtschreibaufbau handbuch leseaufbau de](#) - Feb 09 2023

web das handbuch des kieler rechtschreibaufbaus ist die theoretische grundlage und praktische anleitung des kieler rechtschreibaufbaus das handbuch enthält drei teile teil a grundlegung beschreibung und praktischer einsatz teil b wörterlisten über 3000 wörter in sieben listen teil c vorlagen für Übungen u a einsetzen des artikels

*kieler rechtschreibaufbau k2 lernverlag* - Jan 08 2023

web der kieler rechtschreibaufbau schließt an den kieler leseaufbau an er unterstützt den weiteren lese und schreiblernprozess und behandelt die orthographischen schwierigkeiten die im kieler leseaufbau ausgeklammert bleiben kieler rechtschreibaufbau druckschrift gesamtausgabe handbuch und Übungsmaterialien

**kieler rechtschreibaufbau einzeltitel handbuch thalia** - May 12 2023

web der kieler rechtschreibaufbau schließt nahtlos nach den gleichen heilpädagogischen prinzipien vom einfachen zum schwierigen an den kieler leseaufbau an das handbuch enthält umfangreiche wörterlisten mit mehr als 3000 wörtern

*kieler rechtschreibaufbau recht schreiben prolog shop* - Dec 27 2021

web die gesamtausgabe des kieler rechtschreibaufbaus enthält das handbuch und die Übungsmaterialien Übungskartei spiele teil 1 und spiele teil 2 für eine ganze klasse benötigt man je nach klassengröße 4 6 sätze der Übungsmaterialien in der förderarbeit benötigt man etwa für je vier kinder einen satz

**startseite k2 lernverlag** - Aug 03 2022

web we would like to show you a description here but the site won t allow us

3924173168 *kieler rechtschreibaufbau handbuch lisa* - Jan 28 2022

web kieler rechtschreibaufbau handbuch finden sie alle bücher von lisa dummer smoch reate hackethal bei der büchersuchmaschine eurobuch com können sie antiquarische und neubücher vergleichen und sofort zum bestpreis bestellen 3924173168 der kieler rechtschreibaufbau schließt sich an den kieler

**kieler rechtschreibaufbau gesamtausgabe handbuch spiele** - Jul 14 2023

web kieler rechtschreibaufbau gesamtausgabe handbuch spiele teil 1 und 2 druckschrift Übungskartei druckschrift mit beilage quick check für die rechtschreibung dummer smoch lisa hackethal reate isbn 9783894930042 kostenloser versand für alle bücher mit versand und verkauf duch amazon

*kieler rechtschreibaufbau gesamtausgabe beck shop de* - Jun 13 2023

web die gesamtausgabe des kieler rechtschreibaufbaus enthält das handbuch und die Übungsmaterialien Übungskartei spiele

teil 1 und spiele teil 2 für eine ganze klasse benötigt man je nach klassengröße 4 6 sätze der Übungsmaterialien in der förderarbeit benötigt man etwa für je vier kinder einen satz

*kieler leseaufbau fachshop k2 leseaufbau de* - Mar 30 2022

web handbuch kieler rechtschreibaufbau das handbuch des kieler rechtschreibaufbaus ist die theoretische grundlage und praktische anleitung des kieler rechtschreibaufbaus das handbuch enthält drei teile teil a grundlegung beschreibung und praktischer einsatz teil b wörterlisten über 3000 wörter in sieben listen teil c weiterlesen

**kieler rechtschreibaufbau einzeltitel handbuch bücher de** - Sep 04 2022

web das handbuch stellt die theoretische grundlage des konzeptes dar und enthält tipps zum umgang mit den materialien der kieler rechtschreibaufbau schließt nahtlos nach den gleichen heilpädagogischen prinzipien vom einfachen zum schwierigen an den kieler leseaufbau an das handbuch enthält umfangreiche wörterlisten mit mehr als 3000

*kieler rechtschreibaufbau handbuch amazon de* - Mar 10 2023

web kieler rechtschreibaufbau handbuch dummer smoch lisa hackethal reate isbn 9783924173166 kostenloser versand für alle bücher mit versand und verkauf duch amazon

**kieler rechtschreibaufbau gesamtangabe lehmanns de** - Apr 30 2022

web produkt details artikel bewerten der kieler rechtschreibaufbau schließt an den kieler leseaufbau an er unterstützt den weiteren lese und schreiblernprozess und behandelt die orthographischen schwierigkeiten die im kieler leseaufbau noch ausgeklammert bleiben

**kieler rechtschreibaufbau handbuch veris direct** - Aug 15 2023

web der kieler rechtschreibaufbau schließt nahtlos nach den gleichen heilpädagogischen prinzipien vom einfachen zum schwierigen an den kieler leseaufbau an das handbuch enthält umfangreiche wörterlisten mit mehr als 3000 wörtern

**kieler rechtschreibaufbau einzeltitel handbuch amazon com tr** - Oct 05 2022

web kieler rechtschreibaufbau einzeltitel handbuch dummer smoch lisa hackethal reate amazon com tr kitap

**kieler rechtschreibaufbau handbuch youtube** - Dec 07 2022

web das handbuch ist die theoretische grundlage und praktische anleitung des kieler rechtschreibaufbaus es enthält drei teile teil a grundlegung beschreibung

*kieler rechtschreibaufbau handbuch weltbild* - Jul 02 2022

web das handbuch stellt die theoretische grundlage des konzeptes dar und enthält tipps zum umgang mit den materialien der kieler rechtschreibaufbau schließt nahtlos nach den gleichen heilpädagogischen prinzipien vom einfachen zum schwierigen an den kieler leseaufbau an das handbuch enthält umfangreiche wörterlisten mit mehr als 3000

*short welcome speech 10 examples format sample* - Sep 04 2022

web 1 short welcome celebration speech miamidade gov details file format pdf size 66 kb download 2 formal short welcome speech iaea org details file format pdf size 153 kb download 3 short welcome chief guest speech ifad org details

**welcome speech for award ceremony in english youtube** - Oct 05 2022

web 1k views 4 months ago welcome speech for award ceremony in english award ceremony welcome speech in english download our mobile app from google play store gyankaksh educational

*welcome speeches for award ceremony assignment point* - Jan 08 2023

web welcome speeches for award ceremony speech a very good morning afternoon evening to honorable principal sir madam respected teachers seniors and my dear friends warm greetings to everyone i heartily welcome you all to the annual award ceremony of this institution

**how to give an employee recognition speech centrality** - Jul 02 2022

web employee recognition takes many forms from the small thank yous to presenting honorary gifts and awards workplace appreciation is integral to fostering employee engagement one of the ways to acknowledge a team member s hard work is by giving a recognition speech this impactful gesture clearly shows what employees are capable of achieving

**opening remarks united nations public service day and awards ceremony** - Feb 09 2023

web i am delighted to welcome you to the 11 th united nations public service day and awards ceremony the public service day and the awards ceremony is taking place for the first time in this

*welcome speech for award ceremony school academic sports* - Jul 14 2023

web welcome speech for award ceremony an award ceremony is an event at which someone is given an award for their achievements this could be for their work in a particular field their sports performance or any other area where they have excelled

**2023 samples of welcoming and short opening remarks for** - Mar 30 2022

web jan 9 2023 you are welcome to program name we re so happy you could be here with us today 2 we appreciate your attendance at program name and wish you a good morning afternoon evening 3 i d like to extend a warm welcome to you on behalf of organization to program name 4 the launch of program name with all of you present

an award ceremony speech that captures all hearts in the - Jun 01 2022

web an award ceremony speech is a type of public performance that is claimed on the occasion of a rewarding ceremony depending on the event and the type of acknowledgment the content of the speech may vary from showing appreciation for the award simply saying i m happy to hold this award in my hands to giving thanks to all who have

*welcome speech for corporate event in english in simple and* - Dec 27 2021

web welcome speech for corporate event 1 a very pleasant evening to all of you and a very warm welcome to this 6 th annual

get together of our company firstly i would like to extend a note of thank you to everyone for becoming a part of this event and gracing it

*simple english speech for the award ceremony for students - Apr 30 2022*

web let s go through the award ceremony welcome speech example 1 of english motivational welcome speech for the award ceremony honorable principal vice principal and teachers respected parents and dear students welcome to the school awards ceremony 2018 2019

sample welcome speech for a corporate event christina all day - Dec 07 2022

web watch on sample welcome speech for a corporate event don t know where to start on a welcome speech that impresses your listeners use the welcome speech guide below and tweak it to make it your own to ensure you start

**award ceremony speech 11 examples format sample - Mar 10 2023**

web an award ceremony is almost always associated with a speech like any other event that may happen whether formal or informal it would always be associated with making speeches award ceremony speech 11 award ceremony speech examples 1 award ceremony speech template 2 award ceremony presentation speech 11 award

20 ideas for hosting a memorable award ceremony eventbrite - Feb 26 2022

web nov 24 2022 as sally fields famously said in her oscar acceptance speech you like me you really like me that sentiment is at the heart of all awards ceremonies receiving recognition for your hard work and contributions in a

**welcome speech for award ceremony school academic - Apr 11 2023**

web thank you welcome speech for academic awards ceremony a very good morning to our school committee members honourable judges staff parents and dear students i feel really honoured in sharing with you the achievements of our brilliant young students

welcome speech for award ceremony for students and a - Aug 15 2023

web apr 4 2023 welcome speeches are an essential part of beginning the award ceremony or any ceremony it helps everybody to understand the significance behind the event and what purpose this event serves it s about encouraging the participants and thanking their supporting pillars

**welcome speech for award ceremony school academic - Nov 06 2022**

web welcome speech in award ceremony school academic sports warm talking for award ceremony an award ceremony can be a page toward which someone is given an prize with their achievements this ability to for their work in a particular field their sports performance or any other area where group have transcended

*fao speeches detail employee recognition awards ceremony - May 12 2023*

web employee recognition awards ceremony remarks by director general dr qu dongyu 17 december 2020 as delivered 1

hello everyone my dear colleagues and friends and employees 2 today is your day greetings to you all 3 it is wonderful to be here with all of you around the world 4

welcome speech in english best samples examples tips - Jun 13 2023

web in the case of a welcoming ceremony the welcome speech is considered to be one of the most important parts of the whole gathering in fact it is the most crucial aspect of the entire event this is because the welcome speech serves several purposes first it introduces the guests to the host

**how to give the best employee recognition speech altrun** - Jan 28 2022

web feb 17 2020 a formal employee recognition speech is in order when celebrating a milestone such as your employee s years of service the success of a transformational project or the launch of a new initiative in both cases it s essential to adapt what you say and how you say it to your audience and to the importance of the message you are

**welcome speech for the awards ceremony in english** - Aug 03 2022

web oct 23 2022 welcome speech for the academy awards ceremony my salutations to all of you our school committee members honorable judges staff parents and dear students i feel extremely honored to share the achievements of all you talented young students it is a joyous occasion for all of us as we all have gathered today to celebrate this auspicious day