

**b. DISASSEMBLY/REASSEMBLY**

- Clean the outside of the carburetor before disassembly.
- The limiter cap is cemented on the pilot screw and should not be removed unless the carburetor is overhauled.

**⚠WARNING**

Gasoline is highly flammable and explosive. You can be burned or seriously injured when handling fuel.

- Keep heat, sparks, and flame away.
- Handle fuel only outdoors.
- Wipe up spills immediately.

**5 x 6 mm ACCESS SCREW**

**INSPECTION:**  
Remove access screw to clean the slow speed jet.

**REASSEMBLY:**  
Clean thoroughly with compressed air.



**PILOT JET**  
(nonremovable)

**PILOT SCREW**

**REPLACEMENT: P. 6-14**  
Fixed-throttle models (models that do not idle) do not have a pilot screw, but still have the transition ports.

**LIMITER CAP**  
**REPLACEMENT: P. 6-14**


**THROTTLE STOP SCREW**  
**ADJUSTMENT: P. 3-13**

**CARBURETOR BODY**


**CLEANING: P. 6-11**  
**REASSEMBLY:**  
Clean internal passages and orifices with compressed air before installation.

**FLOAT VALVE**

**REASSEMBLY:**  
Check for worn float valve seat and float valve before installation.



**FLOAT VALVE**



**OK**      **REPLACE**

**MAIN NOZZLE**


**REASSEMBLY:**  
Clean thoroughly with compressed air before installation.



**MAIN JET**

Standard main jet size: P. 2-5

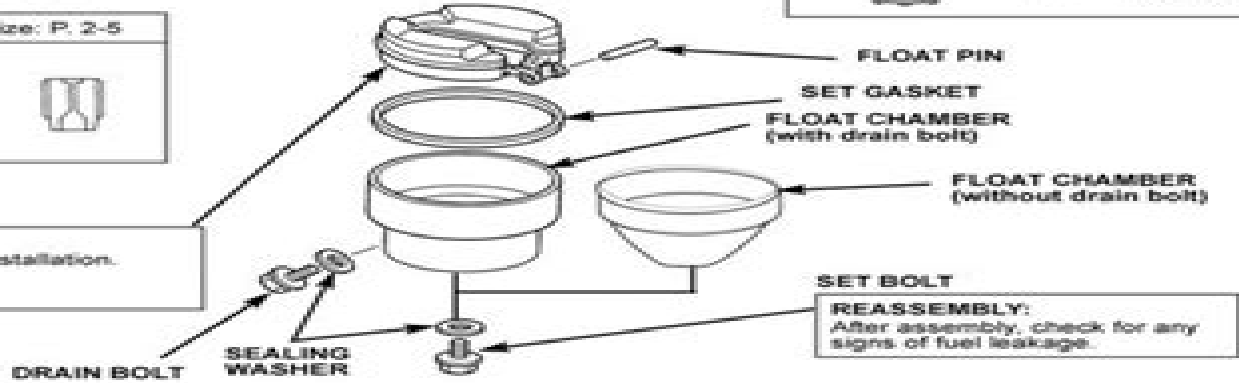
**REASSEMBLY:**  
Clean thoroughly with compressed air before installation.



**FLOAT**

**REASSEMBLY:**  
Check for smooth movement after installation.

**INSPECTION: P. 6-14**



**FLOAT PIN**

**SET GASKET**

**FLOAT CHAMBER (with drain bolt)**

**FLOAT CHAMBER (without drain bolt)**

**SET BOLT**

**REASSEMBLY:**  
After assembly, check for any signs of fuel leakage.

**DRAIN BOLT**

**SEALING WASHER**

# Karcher Pressure Washer Honda Gc160 Manual

**Honda Motor Company Ltd**



**Karcher Pressure Washer Honda Gc160 Manual:**

**Honda Common Service Manual** American Honda Motor Company,2013      Owner's Manual GX120. GX160 Honda Motor Company Ltd,      **Honda GX120, 160** Motor Co. Ltd Honda,      How to Keep Your Honda Alive Fred Cisin,1983  
*Technical Service Manual; Pressure Washers* White Outdoor Products,White Motor Corporation,Oak Brook (Ill.),Brantford (Ont.),1977      Honda CD185/200 and CM185/200 Owners Workshop Manual Martyn Meek,1981-01-01  
*Honda NE/NB50 Vision & SA50 Vision Met-in Owners Workshop Manual* Pete Shoemark,Penny Cox,1993      **Honda S 600 Shop Manual** Honda Giken Kōgyō Kabushiki Kaisha,1969      **Honda NE/NB50 Vision & SA50 Vision Met-in Owners Workshop Manual** Pete Shoemark,Penny Cox,1992      *How to Keep Your Honda Alive* Fred Cisin,Jack Parvin,1986-04-01

Thank you for reading **Karcher Pressure Washer Honda Gc160 Manual**. Maybe you have knowledge that, people have search hundreds times for their favorite readings like this Karcher Pressure Washer Honda Gc160 Manual, but end up in malicious downloads.

Rather than reading a good book with a cup of coffee in the afternoon, instead they juggled with some harmful bugs inside their computer.

Karcher Pressure Washer Honda Gc160 Manual is available in our digital library an online access to it is set as public so you can get it instantly.

Our book servers saves in multiple countries, allowing you to get the most less latency time to download any of our books like this one.

Merely said, the Karcher Pressure Washer Honda Gc160 Manual is universally compatible with any devices to read

<https://staging.conocer.cide.edu/results/browse/HomePages/geometry%20lengths%20of%20secants%20and%20chords%20answers.pdf>

## **Table of Contents Karcher Pressure Washer Honda Gc160 Manual**

1. Understanding the eBook Karcher Pressure Washer Honda Gc160 Manual
  - The Rise of Digital Reading Karcher Pressure Washer Honda Gc160 Manual
  - Advantages of eBooks Over Traditional Books
2. Identifying Karcher Pressure Washer Honda Gc160 Manual
  - Exploring Different Genres
  - Considering Fiction vs. Non-Fiction
  - Determining Your Reading Goals
3. Choosing the Right eBook Platform
  - Popular eBook Platforms
  - Features to Look for in an Karcher Pressure Washer Honda Gc160 Manual
  - User-Friendly Interface

4. Exploring eBook Recommendations from Karcher Pressure Washer Honda Gc160 Manual
  - Personalized Recommendations
  - Karcher Pressure Washer Honda Gc160 Manual User Reviews and Ratings
  - Karcher Pressure Washer Honda Gc160 Manual and Bestseller Lists
5. Accessing Karcher Pressure Washer Honda Gc160 Manual Free and Paid eBooks
  - Karcher Pressure Washer Honda Gc160 Manual Public Domain eBooks
  - Karcher Pressure Washer Honda Gc160 Manual eBook Subscription Services
  - Karcher Pressure Washer Honda Gc160 Manual Budget-Friendly Options
6. Navigating Karcher Pressure Washer Honda Gc160 Manual eBook Formats
  - ePub, PDF, MOBI, and More
  - Karcher Pressure Washer Honda Gc160 Manual Compatibility with Devices
  - Karcher Pressure Washer Honda Gc160 Manual Enhanced eBook Features
7. Enhancing Your Reading Experience
  - Adjustable Fonts and Text Sizes of Karcher Pressure Washer Honda Gc160 Manual
  - Highlighting and Note-Taking Karcher Pressure Washer Honda Gc160 Manual
  - Interactive Elements Karcher Pressure Washer Honda Gc160 Manual
8. Staying Engaged with Karcher Pressure Washer Honda Gc160 Manual
  - Joining Online Reading Communities
  - Participating in Virtual Book Clubs
  - Following Authors and Publishers Karcher Pressure Washer Honda Gc160 Manual
9. Balancing eBooks and Physical Books Karcher Pressure Washer Honda Gc160 Manual
  - Benefits of a Digital Library
  - Creating a Diverse Reading Collection Karcher Pressure Washer Honda Gc160 Manual
10. Overcoming Reading Challenges
  - Dealing with Digital Eye Strain
  - Minimizing Distractions
  - Managing Screen Time
11. Cultivating a Reading Routine Karcher Pressure Washer Honda Gc160 Manual
  - Setting Reading Goals Karcher Pressure Washer Honda Gc160 Manual
  - Carving Out Dedicated Reading Time

12. Sourcing Reliable Information of Karcher Pressure Washer Honda Gc160 Manual
  - Fact-Checking eBook Content of Karcher Pressure Washer Honda Gc160 Manual
  - Distinguishing Credible Sources
13. Promoting Lifelong Learning
  - Utilizing eBooks for Skill Development
  - Exploring Educational eBooks
14. Embracing eBook Trends
  - Integration of Multimedia Elements
  - Interactive and Gamified eBooks

### **Karcher Pressure Washer Honda Gc160 Manual Introduction**

In today's digital age, the availability of Karcher Pressure Washer Honda Gc160 Manual books and manuals for download has revolutionized the way we access information. Gone are the days of physically flipping through pages and carrying heavy textbooks or manuals. With just a few clicks, we can now access a wealth of knowledge from the comfort of our own homes or on the go. This article will explore the advantages of Karcher Pressure Washer Honda Gc160 Manual books and manuals for download, along with some popular platforms that offer these resources. One of the significant advantages of Karcher Pressure Washer Honda Gc160 Manual books and manuals for download is the cost-saving aspect. Traditional books and manuals can be costly, especially if you need to purchase several of them for educational or professional purposes. By accessing Karcher Pressure Washer Honda Gc160 Manual versions, you eliminate the need to spend money on physical copies. This not only saves you money but also reduces the environmental impact associated with book production and transportation. Furthermore, Karcher Pressure Washer Honda Gc160 Manual books and manuals for download are incredibly convenient. With just a computer or smartphone and an internet connection, you can access a vast library of resources on any subject imaginable. Whether you're a student looking for textbooks, a professional seeking industry-specific manuals, or someone interested in self-improvement, these digital resources provide an efficient and accessible means of acquiring knowledge. Moreover, PDF books and manuals offer a range of benefits compared to other digital formats. PDF files are designed to retain their formatting regardless of the device used to open them. This ensures that the content appears exactly as intended by the author, with no loss of formatting or missing graphics. Additionally, PDF files can be easily annotated, bookmarked, and searched for specific terms, making them highly practical for studying or referencing. When it comes to accessing Karcher Pressure Washer Honda Gc160 Manual books and manuals, several platforms offer an extensive collection of resources. One such platform is Project Gutenberg, a nonprofit organization that provides over 60,000 free eBooks. These

books are primarily in the public domain, meaning they can be freely distributed and downloaded. Project Gutenberg offers a wide range of classic literature, making it an excellent resource for literature enthusiasts. Another popular platform for Karcher Pressure Washer Honda Gc160 Manual books and manuals is Open Library. Open Library is an initiative of the Internet Archive, a non-profit organization dedicated to digitizing cultural artifacts and making them accessible to the public. Open Library hosts millions of books, including both public domain works and contemporary titles. It also allows users to borrow digital copies of certain books for a limited period, similar to a library lending system. Additionally, many universities and educational institutions have their own digital libraries that provide free access to PDF books and manuals. These libraries often offer academic texts, research papers, and technical manuals, making them invaluable resources for students and researchers. Some notable examples include MIT OpenCourseWare, which offers free access to course materials from the Massachusetts Institute of Technology, and the Digital Public Library of America, which provides a vast collection of digitized books and historical documents. In conclusion, Karcher Pressure Washer Honda Gc160 Manual books and manuals for download have transformed the way we access information. They provide a cost-effective and convenient means of acquiring knowledge, offering the ability to access a vast library of resources at our fingertips. With platforms like Project Gutenberg, Open Library, and various digital libraries offered by educational institutions, we have access to an ever-expanding collection of books and manuals. Whether for educational, professional, or personal purposes, these digital resources serve as valuable tools for continuous learning and self-improvement. So why not take advantage of the vast world of Karcher Pressure Washer Honda Gc160 Manual books and manuals for download and embark on your journey of knowledge?

### **FAQs About Karcher Pressure Washer Honda Gc160 Manual Books**

How do I know which eBook platform is the best for me? Finding the best eBook platform depends on your reading preferences and device compatibility. Research different platforms, read user reviews, and explore their features before making a choice. Are free eBooks of good quality? Yes, many reputable platforms offer high-quality free eBooks, including classics and public domain works. However, make sure to verify the source to ensure the eBook credibility. Can I read eBooks without an eReader? Absolutely! Most eBook platforms offer web-based readers or mobile apps that allow you to read eBooks on your computer, tablet, or smartphone. How do I avoid digital eye strain while reading eBooks? To prevent digital eye strain, take regular breaks, adjust the font size and background color, and ensure proper lighting while reading eBooks. What the advantage of interactive eBooks? Interactive eBooks incorporate multimedia elements, quizzes, and activities, enhancing the reader engagement and providing a more immersive learning experience. Karcher Pressure Washer Honda

Gc160 Manual is one of the best book in our library for free trial. We provide copy of Karcher Pressure Washer Honda Gc160 Manual in digital format, so the resources that you find are reliable. There are also many Ebooks of related with Karcher Pressure Washer Honda Gc160 Manual. Where to download Karcher Pressure Washer Honda Gc160 Manual online for free? Are you looking for Karcher Pressure Washer Honda Gc160 Manual PDF? This is definitely going to save you time and cash in something you should think about.

**Find Karcher Pressure Washer Honda Gc160 Manual :**

~~geometry lengths of secants and chords answers~~

**geometry test resource answer key**

~~geometry b final exam review answers~~

**geometry end of the quarter benchmark answer key**

**geometry unit 8 lesson tesccc key**

~~geometry worksheet8 5 angles of depression elevation~~

~~geometry chapter 11 practice workbook answers~~

~~geometry chapter 11 practice workbook~~

**geometry proving triangles similar form g**

*geometry regents january 2010 answers and explanations*

**geometry house flip project answers**

~~georgia second grade core curriculum in math~~

~~geometry chapter 7 test form a answers~~

~~geometry chapter barrington high school~~

*geometry review oaa 5th grade*

**Karcher Pressure Washer Honda Gc160 Manual :**

**june exemplars grd 12 for 2014 copy uniport edu** - May 17 2023

jun 30 2023 june exemplars grd 12 for 2014 is available in our digital library an online access to it is set as public so you can download it instantly our books collection saves in multiple

**june exemplars grd 12 for 2014 pdf download only** - Feb 14 2023

1 june exemplars grd 12 for 2014 pdf right here we have countless books june exemplars grd 12 for 2014 pdf and collections



to check out we additionally come up with the money for

**june exemplars grd 12 for 2014 pdf hipertexto udem edu co** - Apr 16 2023

june exemplars grd 12 for 2014 pdf recognizing the habit ways to get this ebook june exemplars grd 12 for 2014 pdf is

additionally useful you have remained in right site to begin

physics grade 12 p1 june 2014 exemplar pdf uniport edu - Sep 09 2022

may 4 2023 online library physics p1 march 2014 grd 12 question paper web20 mar 2023 currently this physics p1 march 2014 grd 12 question paper as one of the most download

**june exemplars grd 12 for 2014 download only villeta** - Aug 20 2023

library saves in fused countries allowing you to get the most less latency era to download any of our books bearing in mind

this one merely said the june exemplars grd 12 for 2014 is

**geography 2014 grade 12 june exemplars pdf pivotid uvu** - Nov 11 2022

geography 2014 grade 12 june exemplars national education technology plan arthur p hershaft 2011 education is the key to america s economic growth and prosperity and to our

june exemplars grd 12 for 2014 pdf wp2 storyblok - Mar 03 2022

we have enough money june exemplars grd 12 for 2014 pdf and numerous book collections from fictions to scientific research in any way accompanied by them is this june exemplars

**2014 grade 12 june exemplars copy forms asmedu** - Oct 10 2022

2014 grade 12 june exemplars is one of the best book in our library for free trial we provide copy of 2014 grade 12 june exemplars in digital format so the resources that you find are

*june exemplars grd 12 for 2014 arihant experts pdf* - Nov 30 2021

june exemplars grd 12 for 2014 is straightforward in our digital library an online right of entry to it is set as public therefore you can download it instantly

**gujarat board gseb sample papers for class 12 all subjects** - Oct 30 2021

oct 9 2023 vedantu com no 1 online tutoring company in india provides you free pdf download of gseb gujarat board class 12 sample question paper of all subjects like

**maths grade 12 exemplar 2014 june exam mypthub** - Sep 21 2023

read and download mathematics exemplars grade 12 2014 june grade 12 past exam grade 12 2014 exemplars june pdf download caps grade 12 2014 june exemplar math caps grade

**gseb standard 12th model papers 2024 gujarat 12th class** - Jan 01 2022

physics 2 physics 3 physics 4 physics 5 physics 6 physics 7 Δ gujarat 12th class model questions papers 2024 prepare

students download the questions papers in the form of

**june exemplars grd 12 for 2014 aac2020 prospera or id** - Jan 13 2023

june exemplars grd 12 for 2014 author ferdinand semmler from aac2020 prospera or id subject june exemplars grd 12 for 2014 keywords grd 2014 12 june for exemplars

*june exemplars grd 12 for 2014 dream networkonair* - May 05 2022

june exemplars grd 12 for 2014 free css 2718 free website templates css templates and copyright start exploring new ideas with our collection of free ebook pdf downloads

*june exemplars grd 12 for 2014 iet donnu edu ua* - Mar 15 2023

june exemplars grd 12 for 2014 author iet donnu edu ua 2023 09 13 08 20 46 subject june exemplars grd 12 for 2014 keywords june exemplars grd 12 for 2014 created date

**egd grd 12 june 2014 paper 1 exemplar memo pdf a brittfest** - Jul 07 2022

jun 12 2014 egd grd 12 june 2014 paper 1 exemplar memo 4 downloaded from a brittfest org on 2021 02 10 by guest reading time 12 sourcing reliable information of egd grd 12 june

*june exemplars grd 12 for 2014 pdf pdf gestudy byu edu* - Dec 12 2022

jun 30 2023 june exemplars grd 12 for 2014 pdf eventually you will very discover a extra experience and success by spending more cash still when get you endure that you require to

**june exemplars grd 12 for 2014 full pdf projects techhut** - Aug 08 2022

june exemplars grd 12 for 2014 oswaal ncert exemplar problem solutions class 12 3 book sets physics chemistry biology for exam 2022 oswaal cbse one for all biology

*june exemplars grd 12 for 2014 edms ncdmb gov ng* - Jul 19 2023

title june exemplars grd 12 for 2014 author edms ncdmb gov ng 2023 09 12 21 52 31 subject june exemplars grd 12 for 2014 keywords june exemplars grd 12 for 2014

**mathematics exemplars grade 12 june 2014 network eve gd** - Jun 06 2022

mathematics exemplars grade 12 june 2014 author heiner wolfensohn from network eve gd subject mathematics exemplars grade 12 june 2014 keywords

*june examination exemplar papers gr 12 2014* - Apr 04 2022

jun 11 2023 june examination exemplar papers gr 12 2014 mathematics june grade 12 exemplar 2014 cyteen de exemplar paper grade 12 june 2014 eco andulo de june

*last 5 year question papers for gseb gujarat board class 12* - Feb 02 2022

oct 13 2023 vedantu com no 1 online tutoring company in india provides you free pdf download of gseb gujarat board class

12 question paper with solutions for maths physics

**grade 12 2014 exemplar papers maths excellence** - Jun 18 2023

click here to download acrobat reader maths exemplar 2014 gr 12 maths exemplar paper 1 gr 12 maths memo exemplar paper 1 gr 12 maths exemplar paper 2 gr 12 maths memo

**the project gutenber e text of the private memoirs and confessions** - Jan 08 2023

web private memoirs and confessions of a sinner my life has been a life of trouble and turmoil of change and vicissitude of anger and exultation of sorrow and of vengeance my sorrows have all been for a slighted gospel and my vengeance

**the private memoirs and confessions of a justified sinner** - May 12 2023

web the private memoirs and confessions of a justified sinner written by himself with a detail of curious traditional facts and other evidence by the editor london printed for longman hurst rees orme brown and green paternoster row mdcccxxiv

*the private memoirs and confessions of a justified sinner* - Nov 06 2022

web james hogg s the private memoirs and confessions of a justified sinner 1824 is a subtle study of religious mania and split personality even in its more vulgar examples however gothic fiction can symbolically address serious political and psychological issues

*the private memoirs and confessions of a justified sinner* - Feb 09 2023

web jun 6 2010 one of the supreme masterpieces of romantic fiction and scottish literature the private memoirs and confessions of a justified sinner is a terrifying tale of murder and amorality and of one man s descent into madness and despair

**the private memoirs and confessions of a justified sinner** - Aug 03 2022

web the private memoirs and confessions of a justified sinner written by himself with a detail of curious traditional facts and other evidence by the editor james hogg edinburgh university

james hogg the private memoirs and confessions of a justified - Apr 11 2023

web the private memoirs and confessions of a justified sinner is a novel presented as a found document with an introduction by an editor the editor s narrative relates the family history of robert wringham and is followed by a confession presented as a published document and manuscript

*the private memoirs and confessions of a justified sinner* - Sep 04 2022

web may 13 2010 robert wringham s memoirs are presented by an editor whose attempts to explain the story only succeed in intensifying its more baffling and bizarre aspects is wringham the victim of a psychotic

pdf epub the private memoirs and confessions of a - Dec 27 2021

web aug 18 2022 before you start complete the private memoirs and confessions of a justified sinner pdf epub by james

hogg download you can read below technical ebook details full book name the private memoirs and confessions of a justified sinner author name james hogg book genre 19th century classics cultural fiction

**the private memoirs and confessions of a justified sinner** - Oct 05 2022

web the private memoirs and confessions of a justified sinner book read reviews from world s largest community for readers

**the private memoirs and confessions of a justified sinner** - Aug 15 2023

web the private memoirs and confessions of a justified sinner written by himself with a detail of curious traditionary facts and other evidence by the editor is a novel by the scottish author james hogg published anonymously in 1824

the private memoirs and confessions of a justified sinner by - Mar 10 2023

web aug 1 2000 the private memoirs and confessions of a justified sinner language english loc class pr language and literatures english literature subject

*the private memoirs and confessions of a justified sinner quotes* - Feb 26 2022

web the private memoirs and confessions of a justified sinner quotes showing 1 13 of 13 with regard to the work itself i dare not venture a judgment for i do not understand it james hogg the private memoirs and confessions of a justified sinner

written by himself 23 likes

*james hogg the private memoirs and confessions of a justified* - Jun 13 2023

web james hogg the private memoirs and confessions of a justified sinner 1824 marina mackay washington university st louis book the cambridge introduction to the novel online publication 05 june 2012 chapter doi doi org 10 1017

cbo9780511781544 007

*the private memoirs and confessions of a justified sinner the* - Dec 07 2022

web ab published anonymously in 1824 the private memoirs and confessions of a justified sinner written by himself with a detail of curious traditionary facts and other evidence by the editor pushed the boundaries of genre it has been called a gothic novel a psychological mystery a religious satire and an early example of modern crime fiction

*the private memoirs and confessions of a justified sinner* - Mar 30 2022

web james hogg s the private memoirs and confessions of a justified sinner chapter summary find summaries for every chapter including a the private memoirs and confessions of a justified sinner chapter summary chart

**the private memoirs and confessions of a justified sinner 1824** - Jan 28 2022

web apr 11 2017 the following year hogg anonymously published the private memoirs and confessions of a justified sinner in which the details of the story were retold using the letter in the narrative in the book the letter is attributed to james hogg whose testimony is doubted by the supposed editor of justified sinner

the private memoirs and confessions of a justified sinner - Jul 02 2022

web oxford university press 1999 literary criticism 272 pages set in early eighteenth century scotland the novel recounts the corruption of a boy of strict calvinist parentage by a mysterious stranger under whose influence he commits a series of murders

**the private memoirs and confessions of a justified sinner** - Jun 01 2022

web dec 8 2021 an early example of a psychological mystery and modern crime fiction the private memoirs and confessions of a justified sinner details the experience of its criminal anti hero it is set in scotland within a world where angels devils and demonic possession exist

the private memoirs and confessions of a justified sinner - Apr 30 2022

web may 6 2020 english librivox recording of the private memoirs and confessions of a justified sinner by james hogg read in english by claude stewart the author calls this a religious parable and it is called an allegory in the book itself

**private memoirs and confessions of a justified sinner summary** - Jul 14 2023

web private memoirs and confessions of a justified sinner study guide contains a biography of james hogg literature essays quiz questions major themes characters and a full summary and analysis best summary pdf themes and quotes

**alcesti testo originale a fronte euripide amazon com tr** - Jan 09 2023

web alcesti testo originale a fronte euripide amazon com tr Çerez tercihlerinizi seçin alışveriş deneyiminizi geliştirmek hizmetlerimizi sunmak müşterilerin hizmetlerimizi nasıl kullandığını anlayarak iyileştirmeler yapabilmek ve tanıtımları gösterebilmek için çerezler ve benzeri araçları kullanmaktayız

**abdestİN ÇeŞİtlerİ sorularla İslamiyet** - Mar 31 2022

web abdestİN ÇeŞİtlerİ 1 farz olan abdest namaz kılmak kur ân ı kerim e el sürmek ve tilâvet secdesi yapmak için abdest almak farzdır cünüp veya abdestsiz olan kimsenin kur ân ı kerim i eline almasının helâl olamayacağı hususunda islâm bilginleri arasında ittifak vardır 2 vâcip olan abdest

*euripides alcestis line 1 perseus digital library* - Feb 10 2023

web euripides alcestis line 1 enter apollo from the palace of admetus he is wearing a quiver and carrying a bow apollo house of admetus in you i brought myself to taste the bread of menial servitude god though i am zeus was the cause he killed my son asclepius striking him in the chest with the lightning bolt 5 and in anger at this i

**alçı taşı vikipedi** - Aug 04 2022

web alçı taşı kum gülü de denilen bir tür alçıtaşı alçı taşı alçı taşı kalsiyum sülfat dihidrattan oluşan yumuşak bir sülfat mineralidir ve kimyasal formül caso<sub>4</sub> 2h<sub>2</sub>o dur 1 alçıtaşı ayrıca selenitin yarı saydam kristalleri olarak kristalleşir aynı zamanda bir evaporit minerali ve anhidritin hidrasyon

alcesti euripide wikipedia - Jul 15 2023

web alcesti in greco antico Ἀλκῆστις *Alkēstis* è una tragedia di euripide rappresentata probabilmente alle dionisie del 438 a c è la tragedia euripidea più antica giunta a noi la sua tetralogia tragica comprendeva anche le tragedie le cretesi alcmeone a **download verrocchio text** - Jan 29 2022

web novità libri verrocchio libri scuola verrocchio tutto libri verrocchio verrocchio verfassers isbn 5796472152581 libro can take thi

film in tv stasera sul digitale terrestre filmtv it - Dec 28 2021

web film in tv stasera sul digitale terrestre leggi la guida alla programmazione dei film in onda oggi sul digitale terrestre trasmessi in prima e seconda serata

**il mito di alcesti youtube** - Jul 03 2022

web il mito di alcesti cristina esposto 9 23k subscribers subscribe 42 share 2 6k views 6 years ago il mito di alcesti raccontato da eva cantarella show more show more

*alcestis greek mythology sacrifice admetus britannica* - Dec 08 2022

web alcestis in greek legend the beautiful daughter of pelias king of iolcos she is the heroine of the eponymous play by the dramatist euripides c 484 406 bce according to legend the god apollo helped admetus son of the king of pherae to harness a lion and a boar to a chariot in order to win alcestis s hand when apollo learned that admetus had not long

alcestis play wikipedia - Jun 14 2023

web alcestis æ l ' s ε s t i s greek Ἀλκῆστις *alkēstis* is an athenian tragedy by the ancient greek playwright euripides it was first produced at the city dionysia festival in 438 bc euripides presented it as the final part of a tetralogy of unconnected plays in the competition of tragedies for which he won second prize this arrangement was exceptional as the

**alcesti in enciclopedia dei ragazzi treccani** - Mar 11 2023

web alcesti eroina del mito greco resa immortale da euripide alcesti si offre di morire al posto del marito il suo gesto di generosità e di affetto viene premiato dagli dei ed ella torna a vivere con lo sposo amatissimo

**abdestin Çesitleri enfal** - Jun 02 2022

web abdestin ÇeŞitleri 1 farz olan abdest namaz kılmak kur ân ı kerim e el sürmek ve tilâvet secdesi yapmak için abdest almak farzdır

how to say alcestis youtube - May 01 2022

web sep 25 2017 learn how to say alcestis with emmasaying free pronunciation tutorials definition and meaning can be found here google com search q define alcestis

**vivino buy the right wine** - Feb 27 2022

web shop on vivino the world s largest wine marketplace with reviews straight from the community get the best offers on

wine matched to your taste

**alcesti sonatina n 1 for piano youtube** - May 13 2023

web short composition in three movements composed in 1998 for the incidental music of tragedia euripides alcestis adapted from riccardo lestini breve comp

alcesti famiglia e cantina - Oct 06 2022

web 2015 alcesti srl c da terrenove 268b 91025 marsala tp p i 02080320811 info alcesti it

alcesti euripide amazon com tr kitap - Apr 12 2023

web arama yapmak istediğiniz kategoriye seçin

**category alcestis wikimedia commons** - Sep 05 2022

web category alcestis from wikimedia commons the free media repository alcestis figure from greek mythology alcestis amb admet i héraclès amb pell de lleó upload media wikipedia

**alcestis wikipedia** - Aug 16 2023

web alcestis and admetus ancient roman fresco 45 79 ce from the house of the tragic poet pompeii italy photo by stefano bolognini alcestis æl'sestis ancient greek Ἄλκηστις Álkēstis or alceste was a princess in greek mythology known for her love of her husband her life story was told by pseudo apollodorus in his

*alcesti nell enciclopedia treccani* - Nov 07 2022

web alcesti gr Ἀλκηστις eroina della mitologia greca figlia di pelia e di anassibia il padre decise di darla in sposa soltanto a chi fosse stato capace di aggirare a un carro due bestie feroci