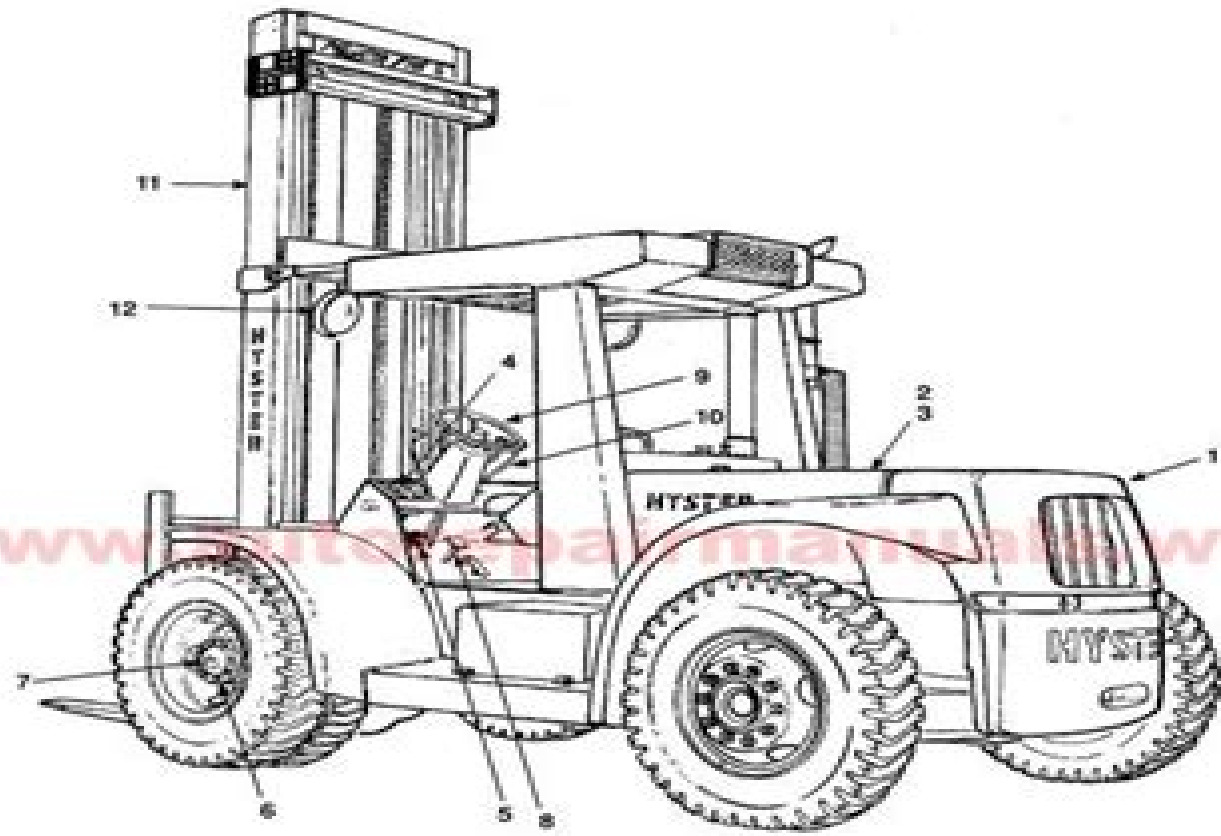


## ILLUSTRATED CONTENTS



REF	SECTION	PAGE
1	FRAME .....	Page 3
2	ENGINE .....	Page 23
3	FUEL SYSTEM .....	Page 93
4	ELECTRICAL SYSTEM .....	Page 139
5	CLUTCH .....	Page 163
6	TRANSMISSION .....	Page 171
7	DRIVE AXLE .....	Page 209
8	BRAKE SYSTEM .....	Page 225
9	STEERING SYSTEM .....	Page 245
10	HYDRAULIC SYSTEM .....	Page 263
11	MAST .....	Page 287
12	OPTIONAL EQUIPMENT .....	Page 311
	NEUMATIC INFLATE	Page 324

# Hyster Forklift Parts Manual H165e

**SB Merriam**



**Hyster Forklift Parts Manual H165e:**

*The Southern Lumberman* ,1978    Hyster Parts Manual ,1995    **Unit, Direct Support, and General Support**  
**Repair Parts Manual** ,1990    *Parts Manual* ,1995    **Operator's Manual** ,1991    **Operator's Manual** ,1991  
**Hyster Service Manual: Spacesaver S60B, S70B, S80B, S100B and Challenger H60C, H70C, H80C, H100C,**  
**H120C (fork Lift Trucks).** Hyster Company,1975    **Service Manual, Liftall** ,1976

This is likewise one of the factors by obtaining the soft documents of this **Hyster Forklift Parts Manual H165e** by online. You might not require more get older to spend to go to the book opening as without difficulty as search for them. In some cases, you likewise pull off not discover the revelation Hyster Forklift Parts Manual H165e that you are looking for. It will extremely squander the time.

However below, subsequently you visit this web page, it will be correspondingly agreed simple to get as without difficulty as download guide Hyster Forklift Parts Manual H165e

It will not agree to many epoch as we run by before. You can pull off it though put-on something else at home and even in your workplace. for that reason easy! So, are you question? Just exercise just what we present below as well as evaluation **Hyster Forklift Parts Manual H165e** what you past to read!

<https://staging.conocer.cide.edu/data/publication/Documents/mathematics%20memorum%20for%20grade%201paper%20september.pdf>

## **Table of Contents Hyster Forklift Parts Manual H165e**

1. Understanding the eBook Hyster Forklift Parts Manual H165e
  - The Rise of Digital Reading Hyster Forklift Parts Manual H165e
  - Advantages of eBooks Over Traditional Books
2. Identifying Hyster Forklift Parts Manual H165e
  - Exploring Different Genres
  - Considering Fiction vs. Non-Fiction
  - Determining Your Reading Goals
3. Choosing the Right eBook Platform
  - Popular eBook Platforms
  - Features to Look for in an Hyster Forklift Parts Manual H165e
  - User-Friendly Interface

4. Exploring eBook Recommendations from Hyster Forklift Parts Manual H165e
  - Personalized Recommendations
  - Hyster Forklift Parts Manual H165e User Reviews and Ratings
  - Hyster Forklift Parts Manual H165e and Bestseller Lists
5. Accessing Hyster Forklift Parts Manual H165e Free and Paid eBooks
  - Hyster Forklift Parts Manual H165e Public Domain eBooks
  - Hyster Forklift Parts Manual H165e eBook Subscription Services
  - Hyster Forklift Parts Manual H165e Budget-Friendly Options
6. Navigating Hyster Forklift Parts Manual H165e eBook Formats
  - ePub, PDF, MOBI, and More
  - Hyster Forklift Parts Manual H165e Compatibility with Devices
  - Hyster Forklift Parts Manual H165e Enhanced eBook Features
7. Enhancing Your Reading Experience
  - Adjustable Fonts and Text Sizes of Hyster Forklift Parts Manual H165e
  - Highlighting and Note-Taking Hyster Forklift Parts Manual H165e
  - Interactive Elements Hyster Forklift Parts Manual H165e
8. Staying Engaged with Hyster Forklift Parts Manual H165e
  - Joining Online Reading Communities
  - Participating in Virtual Book Clubs
  - Following Authors and Publishers Hyster Forklift Parts Manual H165e
9. Balancing eBooks and Physical Books Hyster Forklift Parts Manual H165e
  - Benefits of a Digital Library
  - Creating a Diverse Reading Collection Hyster Forklift Parts Manual H165e
10. Overcoming Reading Challenges
  - Dealing with Digital Eye Strain
  - Minimizing Distractions
  - Managing Screen Time
11. Cultivating a Reading Routine Hyster Forklift Parts Manual H165e
  - Setting Reading Goals Hyster Forklift Parts Manual H165e
  - Carving Out Dedicated Reading Time

12. Sourcing Reliable Information of Hyster Forklift Parts Manual H165e
  - Fact-Checking eBook Content of Hyster Forklift Parts Manual H165e
  - Distinguishing Credible Sources
13. Promoting Lifelong Learning
  - Utilizing eBooks for Skill Development
  - Exploring Educational eBooks
14. Embracing eBook Trends
  - Integration of Multimedia Elements
  - Interactive and Gamified eBooks

### **Hyster Forklift Parts Manual H165e Introduction**

In this digital age, the convenience of accessing information at our fingertips has become a necessity. Whether its research papers, eBooks, or user manuals, PDF files have become the preferred format for sharing and reading documents. However, the cost associated with purchasing PDF files can sometimes be a barrier for many individuals and organizations. Thankfully, there are numerous websites and platforms that allow users to download free PDF files legally. In this article, we will explore some of the best platforms to download free PDFs. One of the most popular platforms to download free PDF files is Project Gutenberg. This online library offers over 60,000 free eBooks that are in the public domain. From classic literature to historical documents, Project Gutenberg provides a wide range of PDF files that can be downloaded and enjoyed on various devices. The website is user-friendly and allows users to search for specific titles or browse through different categories. Another reliable platform for downloading Hyster Forklift Parts Manual H165e free PDF files is Open Library. With its vast collection of over 1 million eBooks, Open Library has something for every reader. The website offers a seamless experience by providing options to borrow or download PDF files. Users simply need to create a free account to access this treasure trove of knowledge. Open Library also allows users to contribute by uploading and sharing their own PDF files, making it a collaborative platform for book enthusiasts. For those interested in academic resources, there are websites dedicated to providing free PDFs of research papers and scientific articles. One such website is Academia.edu, which allows researchers and scholars to share their work with a global audience. Users can download PDF files of research papers, theses, and dissertations covering a wide range of subjects. Academia.edu also provides a platform for discussions and networking within the academic community. When it comes to downloading Hyster Forklift Parts Manual H165e free PDF files of magazines, brochures, and catalogs, Issuu is a popular choice. This digital publishing platform hosts a vast collection of publications from around the world. Users can search for specific titles or explore various categories and genres. Issuu offers a seamless

reading experience with its user-friendly interface and allows users to download PDF files for offline reading. Apart from dedicated platforms, search engines also play a crucial role in finding free PDF files. Google, for instance, has an advanced search feature that allows users to filter results by file type. By specifying the file type as "PDF," users can find websites that offer free PDF downloads on a specific topic. While downloading Hyster Forklift Parts Manual H165e free PDF files is convenient, it's important to note that copyright laws must be respected. Always ensure that the PDF files you download are legally available for free. Many authors and publishers voluntarily provide free PDF versions of their work, but it's essential to be cautious and verify the authenticity of the source before downloading Hyster Forklift Parts Manual H165e. In conclusion, the internet offers numerous platforms and websites that allow users to download free PDF files legally. Whether it's classic literature, research papers, or magazines, there is something for everyone. The platforms mentioned in this article, such as Project Gutenberg, Open Library, Academia.edu, and Issuu, provide access to a vast collection of PDF files. However, users should always be cautious and verify the legality of the source before downloading Hyster Forklift Parts Manual H165e any PDF files. With these platforms, the world of PDF downloads is just a click away.

### **FAQs About Hyster Forklift Parts Manual H165e Books**

How do I know which eBook platform is the best for me? Finding the best eBook platform depends on your reading preferences and device compatibility. Research different platforms, read user reviews, and explore their features before making a choice. Are free eBooks of good quality? Yes, many reputable platforms offer high-quality free eBooks, including classics and public domain works. However, make sure to verify the source to ensure the eBook's credibility. Can I read eBooks without an eReader? Absolutely! Most eBook platforms offer web-based readers or mobile apps that allow you to read eBooks on your computer, tablet, or smartphone. How do I avoid digital eye strain while reading eBooks? To prevent digital eye strain, take regular breaks, adjust the font size and background color, and ensure proper lighting while reading eBooks. What's the advantage of interactive eBooks? Interactive eBooks incorporate multimedia elements, quizzes, and activities, enhancing the reader engagement and providing a more immersive learning experience. Hyster Forklift Parts Manual H165e is one of the best books in our library for free trial. We provide a copy of Hyster Forklift Parts Manual H165e in digital format, so the resources that you find are reliable. There are also many eBooks related to Hyster Forklift Parts Manual H165e. Where to download Hyster Forklift Parts Manual H165e online for free? Are you looking for Hyster Forklift Parts Manual H165e PDF? This is definitely going to save you time and cash in something you should think about.

**Find Hyster Forklift Parts Manual H165e :**

**mathematics memorum for grade 1paper september**

*mathematics n4 2013 question papers*

mathematical literacy sba guideline gauteng 2finance and measurement

mathematics june exemplar paper2 2014 grade12

*mathematical literacy september 2014 examination kzn*

mathematics grade 6 exemplar

**mathematical methods for physicists arfken sixth edition solution manual**

mathematics p1 caps grade11 db e november 2013 memo

mathematics grade 9 caps memorandum

**mathematics paper 2 november 2014 grade 10**

mathematics june 2013 paper1 memo grade 11

**mathematics n6 april 201memo**

mathematics june 2013 memorandum

mathematics exemplar 2013 paper grade 10

**mathematics paper 1 grade 11**

**Hyster Forklift Parts Manual H165e :**

**human resource management gary dessler studocu - Apr 30 2023**

web find all the study resources for human resource management by gary dessler gary dessler book human resource management follow this book documents 90

*human resource management gary dessler studocu - Mar 30 2023*

web find all the study resources for human resource management by gary dessler we have 47 summaries and 6 courses related to this book on our website

*gary dessler application case tvh free essays studymode - Sep 23 2022*

web here in our online is the best place to read and download gary dessler case study solution for free we hope it can help you perfectly you can access read and save it in

**gary dessler google case study solutions uniport edu - Dec 15 2021**

web jul 2 2023 gary dessler google case study solutions is available in our digital library an online access to it is set as



public so you can get it instantly our book servers saves in

[gary dessler case study solution pdf pdf e books](#) - Jul 02 2023

web here in our online is the best place to read and download gary dessler case study solution for free we hope it can help you perfectly you can access read and save it in

[gary dessler case study solution pdf pdf e books](#) - Oct 05 2023

web here in our online is the best place to read and download gary dessler case study solution for free we hope it can help you perfectly you can access read and save it in

[gary dessler case study solution store spiralny](#) - Mar 18 2022

web rigorous methods for using case studies this text presents a comprehensive analysis of research methods using case studies and examines the place of case studies in social

[gary dessler case study solution 653 words studymode](#) - Jun 01 2023

web gary dessler case study solution are you searching for gary dessler case study solution here in our online is the best place to read and download gary

[gary dessler 12 edition chapter 8 application case the me](#) - Aug 23 2022

web we hope it can help you perfectly you can access read and save it in your desktop and gary dessler case study solution document is now available for free also check our

[case solutions human resource management gary dessler pdf](#) - Dec 27 2022

web jun 14 2023 web gary dessler case study solution are you searching for gary dessler case study solution here in our online is the best place to read and download gary

[gary dessler google case study solutions gary dessler copy](#) - Jan 16 2022

web book collections from fictions to scientific research in any way along with them is this gary dessler google case study solutions that can be your partner human resource

[gary dessler google case study solutions pdf uniport edu](#) - Jun 20 2022

web dessler google case study solutions can be one of the options to accompany you subsequent to having new time it will not waste your time assume me the e book will

**case solutions human resource management gary dessler** - Jul 22 2022

web readings and cases in international human resource management and organizational behavior an introduction to human resource management a case study in training and

**pdf gary dessler case study solution pdf free download pdf** - Aug 03 2023

web description download gary dessler case study solution pdf free in pdf format

*kupdf net gary dessler case study solutionpdf pdf free* - Jan 28 2023

web may 27 2022 here in our online is the best place to read and download gary dessler case study solution for free we hope it can help you perfectly you can access read

case solutions human resource management gary dessler - May 20 2022

web case study with solution case on human resource case solutions of book strategic human resource management jeffrey a mello 3rd edition chapter 10 performance

**gary dessler google case study solutions uniport edu** - Nov 13 2021

web mar 31 2023 gary dessler google case study solutions 1 6 downloaded from uniport edu ng on march 31 2023 by guest gary dessler google case study

**gary dessler 12 edition chapter 8 application case the** - Nov 25 2022

web here in our online is the best place to read and download gary dessler case study solution for free we hope it can help you perfectly you can access read and save it in

*gary dessler case study solution sheetodo com* - Apr 18 2022

web case studies and examines the place of case studies in social science methodology it argues that case studies statistical methods and formal models are complementary

human resource management 15th edition solutions and - Sep 04 2023

web gary dessler textbook solutions verified chapter 1 introduction to human resource management page 21 watch it page 24 discussion questions page 24 individual and

gary dessler 13 edition application case chapter 7 free essays - Oct 25 2022

web here in our online is the best place to read and download gary dessler case study solution for free we hope it can help you perfectly you can access read and save it in

*gary dessler google case study solutions uniport edu* - Feb 14 2022

web dessler google case study solutions can be one of the options to accompany you later than having additional time it will not waste your time allow me the e book will utterly

**google case gary dessler free essays studymode** - Feb 26 2023

web you can access read and save it in your desktop and gary dessler case study solution document is now available for free also check our ebooks collections related with

**bukti kas keluar pengertian dan fungsinya dalam pencatatan keuangan** - Dec 23 2022

web 4 1 1 bukti transaksi internal 4 2 2 bukti transaksi eksternal 4 2 1 bukti faktur 4 2 2 bukti kwitansi 4 2 3 bukti nota debit 4 2 4 bukti nota kredit 4 2 5 bukti cek 4 2 6 bukti bilyet giro 4 2 7 bukti rekening koran 4 2 8 bukti setoran bank 5

kesimpulan pengertian bukti kas keluar

**bukti transaksi pengertian jenis dan contohnya yang wajib** - Nov 21 2022

web nov 25 2021 ada 3 tiga macam invoice pembayaran internal yakni bukti kas masuk bukti kas keluar dan memo untuk lebih lengkapnya kawan kledo bisa menyimak penjelasan di bawah ini 1 bukti kas masuk bukti kas masuk adalah pengakuan tercetak dari jumlah uang tunai yang diterima selama transaksi yang melibatkan transfer kas atau

*fungsi dan contoh form bukti pengeluaran kas di excel* - Aug 19 2022

web sep 2 2020 form bukti pengeluaran kas ini termasuk kedalam form yang cukup penting karena merupakan bukti dan pertanggung jawaban dari dana yang sudah dikeluarkan selain itu kelengkapan bukti transaksi juga biasanya wajib untuk disertakan kedalam form ini

bukti kas keluar definisi fungsi jenis format dan contoh akl - Apr 14 2022

web jun 1 2023 bukti kas keluar adalah bukti tertulis yang menyatakan adanya transaksi pengeluaran kas atau berkurangnya harta kas perusahaan untuk membayar kebutuhan bisnis bukti ini akan membantu pemilik bisnis untuk mengetahui jumlah pengeluaran kasnya dalam periode tertentu

*12 jenis bukti transaksi beserta contohnya terlengkap* - Oct 21 2022

web sep 9 2023 pemegang lembaran cek adalah pihak penerima pembayaran sedangkan pihak yang melakukan pembayaran menyimpan potongannya cek sebenarnya bukan surat bukti melainkan alat pembayaran oleh karena itu pengeluaran cek harus disertai dengan penerimaan kuitansi atau bukti intern

**bukti kas pengeluaran bkp pdf scribd** - Mar 14 2022

web bukti kas pengeluaran bkp nomor i 12 4 sma 07 ku 2016 diterima dari pemegang kas bendahara bos sma negeri 1 bukitkemuning banyaknya uang yaitu untuk pembayaran

**form bukti kas keluar pdf scribd** - Jun 16 2022

web inul vizta tanjung bukti kas keluar tanggal dibayar kepada no keterangan no tanggal dibayar kepada jumlah no contoh format kartu iuran warga rw badriralghifari kupon pengambilan zakat kupon pengambilan zakat kartu bukti pembayaran iuran rw 10 kartu bukti pembayaran iuran rw 10 ayong

**download contoh format kwitansi excel word yang bisa diedit** - Apr 26 2023

web hal tersebut adalah tentang format yang digunakan dalam pembuatan kuitansi berikut ini adalah format yang benar dalam membuat kuitansi sebagai bukti pembayaran valid 1 nomor di dalam kwitansi pastinya harus terdapat nomor nomor tersebut dapat menampilkan jumlah pembayaran yang telah terjadi

*bukti kas masuk pembahasan lengkap dan cara* - Jan 24 2023

web aug 19 2021 cek pembelian secara kredit toko catat semua pembayaran tunai dalam jurnal penerimaan kas anda dan

masukkan transaksi tunai di jurnal penjualan atau buku besar piutang anda kapan bukti kas masuk dibuat bukti kas dihasilkan ketika vendor menerima kas atau setara kas dari sumber eksternal seperti pelanggan investor atau

**10 macam bukti transaksi contoh dan cara mudah mencatatnya** - Feb 22 2023

web mar 2 2021 1 bukti transaksi kwitansi 2 bukti nota kontan 3 faktur penjualan 4 bukti transaksi setoran bank 5 bukti faktur pembelian 6 bukti kas keluar 7 bukti transaksi kas masuk 8 bukti cek 9 bukti memorandum 10

[download kwitansi kosong word excel dan pdf gratis kledo](#) - May 28 2023

web nov 22 2022 kwitansi transaksi produk adalah bukti pembayaran atas pembelian barang atau jasa fungsinya hampir mirip dengan nota pembayaran biasanya pada kwitansi ini akan ada cap toko penjual namun jika tidak ada tanda tangan penjual sudah cukup menjadi bukti keabsahan bukti transaksi kwitansi penerimaan kas

[download contoh kwitansi pembayaran word xls dan pdf](#) - Aug 31 2023

web dec 4 2020 kwitansi pembayaran penting sebagai bukti transaksi pembayaran yang sah dan dapat dipertanggungjawabkan dokumen ini dapat digunakan sebagai bukti pembayaran untuk tujuan akuntansi pajak dan klaim garansi apa saja informasi yang harus tercantum dalam kwitansi pembayaran informasi yang harus tercantum dalam

[formulir pembayaran templat formulir jotform](#) - Mar 26 2023

web dengan berbagai pilihan formulir pembayaran termasuk formulir donasi formulir pemesanan atau formulir pembelian mulailah dengan memilih template formulir pembayaran di bawah atau mulai formulir anda sendiri dari awal lalu pilih gateway pembayaran mana yang ingin anda gunakan seperti square paypal stripe dan

[fungsi dan contoh form bukti pengeluaran bank di excel](#) - May 16 2022

web sep 4 2020 form bukti pengeluaran bank digunakan untuk membuat rincian dari pengeluaran dana yang sumbernya dari bank beberapa transaksi yang biasanya muncul didalam pengeluaran bank adalah sebagai berikut pembayaran hutang usaha menggunakan check atau giro pembayaran biaya yang terkait dengan operasional

[kwitansi adalah pengertian contoh format majoo](#) - Sep 19 2022

web jul 10 2022 kwitansi adalah bukti pembayaran yang sah dari sebuah transaksi dalam bisnis ternyata ada berbagai jenis dan contoh kwitansi yang biasa digunakan majoo care 1500 460

[download template kwitansi kosong format excel dan word](#) - Jul 30 2023

web nov 15 2022 kwitansi pembayaran umumnya memiliki dua rangkap di mana satunya diberikan kepada pihak pembayar sebagai bukti transaksi yang dilakukan lembaran lainnya diberikan kepada pihak penerima uang arsip dokumen keuangan

**form bukti kas keluar xlsx document vdokumen com** - Jan 12 2022

web aug 11 2015 form bukti kas keluar of 2 match case limit results 1 per page inul vizta tanjung inul vizta tanjung bukti kas keluar bukti kas keluar tanggal no tanggal dibayar kepada dibayar kepada no keterangan jumlah no keterangan total

total kasir diterima oleh kasir disetujui oleh disetujui oleh inul

**6 contoh kwitansi pembayaran doc dan excel lengkap ginee** - Jun 28 2023

web dalam praktiknya kwitansi pembayaran digunakan sebagai bukti transaksi antar pelaku bisnis atau pembeli dan penjual untuk bisa membuat kwitansi pembayaran yang benar anda perlu tahu dulu nih contoh kwitansi pembayaran karena kalau kwitansi pembayaran yang anda buat isinya keliru maka anda harus menanggung kerugiannya

**bukti kas keluar adalah pengertian fungsi tujuan contoh** - Jul 18 2022

web apr 17 2022 bukti kas keluar adalah pengertian fungsi tujuan contoh bukti kas keluar adalah salah satu aspek yang digunakan untuk membantu pencatatan transaksi keuangan suatu perusahaan simak selengkapnya berikut ini

**format bukti kas keluar pdf scribd** - Feb 10 2022

web bukti kas keluar dibayar kepada bagian jumlah terbilang rp keperluan kabag keuangan penerima qomarudin s pd i n i y 1210001 n i y smp lazuardi insan kamil jl selabintana km kp nyangkokot rt 06 03 6 ds karawang sukabumi 43151 telp 62266 624 8274 bkm no bpkk tanggal bukti kas keluar dibayar kepada

[vosa daily vehicle checklist banpaen](#) - Jan 31 2022

access the vosa daily vehicle checklist join that we have the capital for here and check out the link vosa daily vehicle checklist is accessible in our pdf assemblage an online access to it is

**vosa daily vehicle checklist pdf 2023** - Jun 04 2022

jan 19 2007 the vehicle and operator services agency vosa was formed on 1st april 2003 following the merger of the vehicle inspectorate and the traffic area network division of the

**vosa daily vehicle checklist uniport edu ng** - Oct 28 2021

**carry out bus or coach daily walkaround checks gov uk** - Apr 14 2023

apr 28 2021 find during the daily walkaround check become aware of during your journey what to record record the vehicle registration number plate or identification mark the

**vosadailyvehiclechecklist** - Jul 05 2022

apr 28 2023 vosa daily vehicle checklist pdf is available in our digital library an online access to it is set as public so you can download it instantly our digital library hosts in multiple

**what is vosa and can they stop cars consumer action group** - May 03 2022

vosa daily vehicle checklist pdf pages 2 6 vosa daily vehicle checklist pdf upload mita f ferguson 2 6 downloaded from election tv standardmedia co ke on september 15 2023 by

**driving a van daily walkaround check gov uk** - Sep 19 2023

a guide about the daily checks that van drivers should carry out to make sure that they re roadworthy see more  
*vosa daily vehicle checklist pdf pdf election tv standardmedia co - Apr 02 2022*

driving goods vehicles lowe s transport manager s and operator s handbook 2020 roadside vehicle inspections a study guide  
for the operator certificate of professional competence

*vosa daily vehicle checklist smcapproved com - Sep 07 2022*

truck daily inspection checklist vehicle maintenance logbook monthly keep track of fuel trips repairs and maintenance record  
book for cars trucks motorcycles and other vehicl

**commercial vehicle safety and maintenance gov uk** - Aug 18 2023

html see more

**vehicle maintenance workplace transport checklist section 4** - Jan 11 2023

apr 28 2021 what you need to check inside and outsides of the vehicle when you do a bus coach or other public service car  
psv walkaround check carry out bus or coach daily

carry out bus or coach daily walkaround checks gov uk - Dec 10 2022

1 excluding link 340 2 webfleet vehicle check is an additional service in combination with a webfleet link eco nav live  
subscription 3 requires android 6 0 ios 11 0 and higher and

hgv walkaround check gov uk - Jun 16 2023

check inside the vehicle 10 lights and indicators 11 fuel and oil leaks 12 security of body and wings 13 battery security and  
condition 14 diesel exhaust fluid adblue 15 excessive engine

**workplace transport inspection checklist hse** - Feb 12 2023

vehicle maintenance factsheet is there a system for reporting faults on the vehicle and associated equipment and carrying  
out remedial work to help identify problems which may

*carry out hgv daily walkaround checks gov uk* - Jul 17 2023

feb 10 2022 psv standards and checks guides about keeping commercial vehicles safe to drive including heavy goods  
vehicles hgvs vans buses coaches and other public service

**vosadailyvehiclechecklist pdf logs erpNext** - Aug 06 2022

carrying vehicle drivers lowe s transport manager s and operator s handbook 2017 mar 04 2023 now in its 47th edition lowe  
s transport manager s operator s handbook is the most

**vosa daily vehicle checklist f1test f1experiences** - Dec 30 2021

oct 13 2023 u s law enforcement agencies stepped up security measures on friday to safeguard jewish and muslim  
communities amid global protests over israeli arab bloodshed in

*keeping commercial vehicles safe to drive roadworthy gov uk* - May 15 2023

how to keep heavy goods vehicles hgvs and public service vehicles psvs safe to drive including daily checks inspections maintenance and record keeping from driver and

**vosadailyvehiclechecklist dev sfcg** - Mar 01 2022

jun 7 2023 expertly as review vosa daily vehicle checklist what you similar to browse alternatively than delighting a great book with a cup of tea in the afternoon instead they are

45 best vehicle checklists inspection maintenance - Oct 08 2022

vosa daily vehicle checklist vosa daily vehicle checklist 2 downloaded from smcapproved com on 2019 07 24 by guest 2019 now in its 49th edition and endorsed

**never ignore vosa s daily walkaround check cv** - Mar 13 2023

checklist guidance section 1 management and supervision of workplace transport risk section 2 site layout and internal traffic routes section 3 vehicle selection and suitability section 4

*thousands rally for palestinian cause in new york city reuters* - Nov 28 2021

jul 9 2023 vosa daily vehicle checklist 1 10 downloaded from uniport edu ng on july 9 2023 by guest vosa daily vehicle checklist recognizing the pretentiousness ways to acquire this

**vehicle check daily fleet inspections in one app webfleet gb** - Nov 09 2022

as the name implies a vehicle checklist is mainly intended for vehicles when performing vehicle checks there are several vehicle inspection checklists you can use for instance