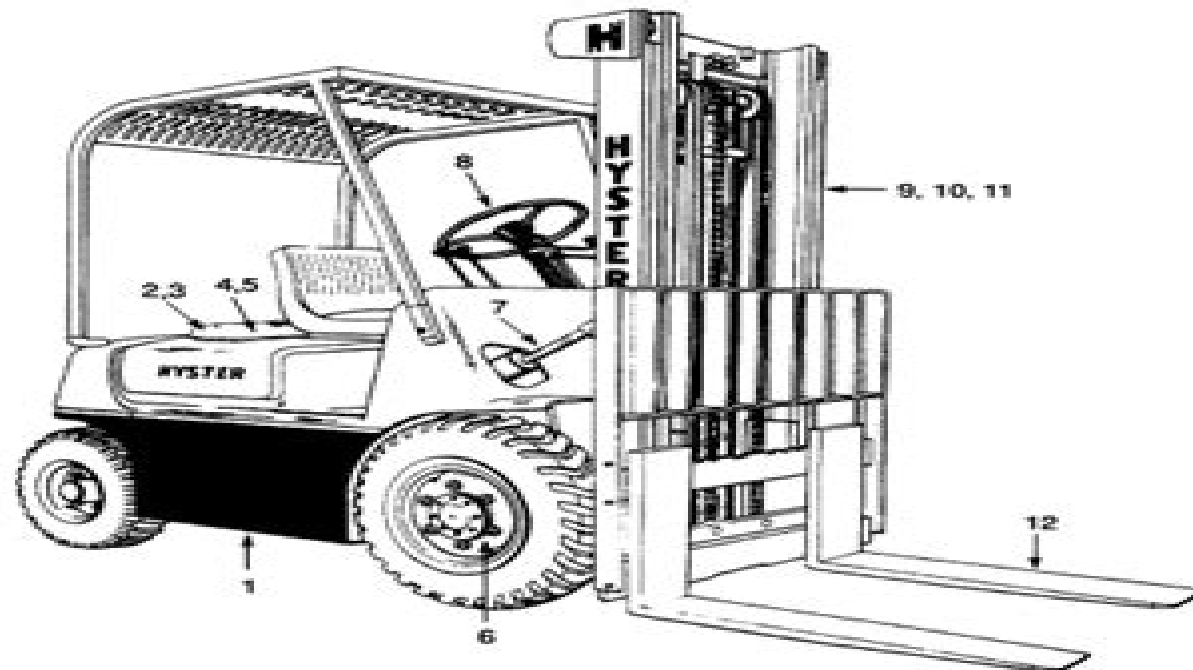


ILLUSTRATED CONTENTS



REF	SECTION	PAGE
1	FRAME	Page 3
2	ENGINE	Page 15
3	FUEL SYSTEM	Page 63
4	ELECTRICAL SYSTEM	Page 91
5	TRANSMISSION AND CLUTCH	Page 107
6	BRAKE	Page 131
7	HYDRAULIC SYSTEM	Page 141
8	STEERING SYSTEM	Page 161
9	FULL FREE-LIFT MAST	Page 181
10	INTERMEDIATE FREE-LIFT MAST	Page 169
11	THREE STAGE MAST	Page 195
12	OPTIONAL	Page 213
--	NUMERIC INDEX	Page 235

Hyster Forklift Check List Manual

CO Houle



Hyster Forklift Check List Manual:

Delve into the emotional tapestry woven by Emotional Journey with in **Hyster Forklift Check List Manual** . This ebook, available for download in a PDF format (Download in PDF: *), is more than just words on a page; it's a journey of connection and profound emotion. Immerse yourself in narratives that tug at your heartstrings. Download now to experience the pulse of each page and let your emotions run wild.

<https://staging.conocer.cide.edu/results/uploaded-files/HomePages/Gado%20Gado%20Sauce%20Recipe.pdf>

Table of Contents Hyster Forklift Check List Manual

1. Understanding the eBook Hyster Forklift Check List Manual
 - The Rise of Digital Reading Hyster Forklift Check List Manual
 - Advantages of eBooks Over Traditional Books
2. Identifying Hyster Forklift Check List Manual
 - Exploring Different Genres
 - Considering Fiction vs. Non-Fiction
 - Determining Your Reading Goals
3. Choosing the Right eBook Platform
 - Popular eBook Platforms
 - Features to Look for in an Hyster Forklift Check List Manual
 - User-Friendly Interface
4. Exploring eBook Recommendations from Hyster Forklift Check List Manual
 - Personalized Recommendations
 - Hyster Forklift Check List Manual User Reviews and Ratings
 - Hyster Forklift Check List Manual and Bestseller Lists
5. Accessing Hyster Forklift Check List Manual Free and Paid eBooks
 - Hyster Forklift Check List Manual Public Domain eBooks
 - Hyster Forklift Check List Manual eBook Subscription Services
 - Hyster Forklift Check List Manual Budget-Friendly Options

6. Navigating Hyster Forklift Check List Manual eBook Formats
 - ePub, PDF, MOBI, and More
 - Hyster Forklift Check List Manual Compatibility with Devices
 - Hyster Forklift Check List Manual Enhanced eBook Features
7. Enhancing Your Reading Experience
 - Adjustable Fonts and Text Sizes of Hyster Forklift Check List Manual
 - Highlighting and Note-Taking Hyster Forklift Check List Manual
 - Interactive Elements Hyster Forklift Check List Manual
8. Staying Engaged with Hyster Forklift Check List Manual
 - Joining Online Reading Communities
 - Participating in Virtual Book Clubs
 - Following Authors and Publishers Hyster Forklift Check List Manual
9. Balancing eBooks and Physical Books Hyster Forklift Check List Manual
 - Benefits of a Digital Library
 - Creating a Diverse Reading Collection Hyster Forklift Check List Manual
10. Overcoming Reading Challenges
 - Dealing with Digital Eye Strain
 - Minimizing Distractions
 - Managing Screen Time
11. Cultivating a Reading Routine Hyster Forklift Check List Manual
 - Setting Reading Goals Hyster Forklift Check List Manual
 - Carving Out Dedicated Reading Time
12. Sourcing Reliable Information of Hyster Forklift Check List Manual
 - Fact-Checking eBook Content of Hyster Forklift Check List Manual
 - Distinguishing Credible Sources
13. Promoting Lifelong Learning
 - Utilizing eBooks for Skill Development
 - Exploring Educational eBooks
14. Embracing eBook Trends
 - Integration of Multimedia Elements

- Interactive and Gamified eBooks

Hyster Forklift Check List Manual Introduction

Free PDF Books and Manuals for Download: Unlocking Knowledge at Your Fingertips In today's fast-paced digital age, obtaining valuable knowledge has become easier than ever. Thanks to the internet, a vast array of books and manuals are now available for free download in PDF format. Whether you are a student, professional, or simply an avid reader, this treasure trove of downloadable resources offers a wealth of information, conveniently accessible anytime, anywhere. The advent of online libraries and platforms dedicated to sharing knowledge has revolutionized the way we consume information. No longer confined to physical libraries or bookstores, readers can now access an extensive collection of digital books and manuals with just a few clicks. These resources, available in PDF, Microsoft Word, and PowerPoint formats, cater to a wide range of interests, including literature, technology, science, history, and much more. One notable platform where you can explore and download free Hyster Forklift Check List Manual PDF books and manuals is the internet's largest free library. Hosted online, this catalog compiles a vast assortment of documents, making it a veritable goldmine of knowledge. With its easy-to-use website interface and customizable PDF generator, this platform offers a user-friendly experience, allowing individuals to effortlessly navigate and access the information they seek. The availability of free PDF books and manuals on this platform demonstrates its commitment to democratizing education and empowering individuals with the tools needed to succeed in their chosen fields. It allows anyone, regardless of their background or financial limitations, to expand their horizons and gain insights from experts in various disciplines. One of the most significant advantages of downloading PDF books and manuals lies in their portability. Unlike physical copies, digital books can be stored and carried on a single device, such as a tablet or smartphone, saving valuable space and weight. This convenience makes it possible for readers to have their entire library at their fingertips, whether they are commuting, traveling, or simply enjoying a lazy afternoon at home. Additionally, digital files are easily searchable, enabling readers to locate specific information within seconds. With a few keystrokes, users can search for keywords, topics, or phrases, making research and finding relevant information a breeze. This efficiency saves time and effort, streamlining the learning process and allowing individuals to focus on extracting the information they need. Furthermore, the availability of free PDF books and manuals fosters a culture of continuous learning. By removing financial barriers, more people can access educational resources and pursue lifelong learning, contributing to personal growth and professional development. This democratization of knowledge promotes intellectual curiosity and empowers individuals to become lifelong learners, promoting progress and innovation in various fields. It is worth noting that while accessing free Hyster Forklift Check List Manual PDF books and manuals is convenient and cost-effective, it is vital to respect copyright laws and intellectual property rights. Platforms offering free downloads often operate within legal

boundaries, ensuring that the materials they provide are either in the public domain or authorized for distribution. By adhering to copyright laws, users can enjoy the benefits of free access to knowledge while supporting the authors and publishers who make these resources available. In conclusion, the availability of Hyster Forklift Check List Manual free PDF books and manuals for download has revolutionized the way we access and consume knowledge. With just a few clicks, individuals can explore a vast collection of resources across different disciplines, all free of charge. This accessibility empowers individuals to become lifelong learners, contributing to personal growth, professional development, and the advancement of society as a whole. So why not unlock a world of knowledge today? Start exploring the vast sea of free PDF books and manuals waiting to be discovered right at your fingertips.

FAQs About Hyster Forklift Check List Manual Books

1. Where can I buy Hyster Forklift Check List Manual books? Bookstores: Physical bookstores like Barnes & Noble, Waterstones, and independent local stores. Online Retailers: Amazon, Book Depository, and various online bookstores offer a wide range of books in physical and digital formats.
2. What are the different book formats available? Hardcover: Sturdy and durable, usually more expensive. Paperback: Cheaper, lighter, and more portable than hardcovers. E-books: Digital books available for e-readers like Kindle or software like Apple Books, Kindle, and Google Play Books.
3. How do I choose a Hyster Forklift Check List Manual book to read? Genres: Consider the genre you enjoy (fiction, non-fiction, mystery, sci-fi, etc.). Recommendations: Ask friends, join book clubs, or explore online reviews and recommendations. Author: If you like a particular author, you might enjoy more of their work.
4. How do I take care of Hyster Forklift Check List Manual books? Storage: Keep them away from direct sunlight and in a dry environment. Handling: Avoid folding pages, use bookmarks, and handle them with clean hands. Cleaning: Gently dust the covers and pages occasionally.
5. Can I borrow books without buying them? Public Libraries: Local libraries offer a wide range of books for borrowing. Book Swaps: Community book exchanges or online platforms where people exchange books.
6. How can I track my reading progress or manage my book collection? Book Tracking Apps: Goodreads, LibraryThing, and Book Catalogue are popular apps for tracking your reading progress and managing book collections. Spreadsheets: You can create your own spreadsheet to track books read, ratings, and other details.
7. What are Hyster Forklift Check List Manual audiobooks, and where can I find them? Audiobooks: Audio recordings of

- books, perfect for listening while commuting or multitasking. Platforms: Audible, LibriVox, and Google Play Books offer a wide selection of audiobooks.
8. How do I support authors or the book industry? Buy Books: Purchase books from authors or independent bookstores. Reviews: Leave reviews on platforms like Goodreads or Amazon. Promotion: Share your favorite books on social media or recommend them to friends.
 9. Are there book clubs or reading communities I can join? Local Clubs: Check for local book clubs in libraries or community centers. Online Communities: Platforms like Goodreads have virtual book clubs and discussion groups.
 10. Can I read Hyster Forklift Check List Manual books for free? Public Domain Books: Many classic books are available for free as they're in the public domain. Free E-books: Some websites offer free e-books legally, like Project Gutenberg or Open Library.

Find Hyster Forklift Check List Manual :

[gado gado sauce recipe](#)

g3408 caterpillar manual

[gaming laptop buying guide](#)

[futa chem 201 course outline](#)

[g54ocr psychology june 2exam paper](#)

[fuse diagram to 95 impala](#)

[fxd dya clymer manual](#)

[gaming freak know what is all about gaming](#)

[fxr 150 service](#)

[fuse panel 2001 ford ranger](#)

fybsc botany notes

[fybsc microbiology syllabus 2014 2015](#)

[gaming pc buying guide 23](#)

[fybsc zoology 2014 question paper of pune university](#)

[gallian abstract algebra solutions manual](#)

Hyster Forklift Check List Manual :

comment la psychiatrie et l industrie pharmaceutique ont - Jun 12 2023

web mar 5 2009 comment la psychiatrie et l industrie pharmaceutique ont mÉdicalisÉ nos Émotions shyness how normal behavior became a sickness de christopher lane traduit de l anglais

free comment la psychiatrie et l industrie pharmaceuti - Jan 27 2022

web comment la psychiatrie et l industrie pharmaceuti the oecd stan database for industrial analysis jul 04 2022 industrie

des ptes et papiers dans les pays membres de l ocde et la finlande jul 16 2023 indices des prix de l industrie apr 13 2023

discours et leons sur l industrie le commerce la marine et sur les sciences

comment la psychiatrie et l industrie - Jan 07 2023

web mar 2 2009 l enquÊte magistrale menÉe par christopher lane profitant des archives inÉdites de l association amÉricaine de psychiatrie nous ouvre les coulisses de cette vaste et ubuesque entreprise de classification des troubles mentaux

subventionnÉe par les gÉants de la pharmacie appuyÉe par la surpuissante fda food and drug

comment la psychiatrie et l industrie pharmaceutique ont - Apr 10 2023

web jul 5 2023 comment la psychiatrie et l industrie pharmaceutique ont mÉdicalisÉ nos Émotions by christopher lane ment

la psychiatrie et l industrie pharmaceutique ont tous fous l influence de l industrie pharmaceutique sur sant mentale 65 livres babelio de la critique d une illusion une illusion de critique comment la psychiatrie et l

quelle conclusion tirer des mÉdicaments en psychiatrie wepsee - Mar 29 2022

web en pratique le psychiatre propose un mÉdicament lorsqu il trouve la souffrance trop intense et ou ralentissant la guÉrison du patient celui qui prÉsente des toc invalidantes des angoisses importantes des insomnies majeures des Éléments

dÉpressifs des idÉes suicidaires peut Être soulagÉ par une prescription adaptÉe

comment la psychiatrie et l industrie pharmaceutique ont - Apr 29 2022

web aug 16 2023 ment la psychiatrie et l industrie pharmaceutique ont fr ment la psychiatrie et l industrie christopher lane

ment la psychiatrie et l industrie le rle de la psychiatrie dans lholocauste par peter ment la psychiatrie et lindustrie

pharmaceutique ont sant mentale 65 livres babelio ment la psychiatrie et l reserve lasd org 3 51

comment la psychiatrie et l industrie pharmaceutique ont - Aug 02 2022

web comment la psychiatrie et l industrie pharmaceutique ont mÉdicalisÉ nos Émotions by christopher lane le rle de la psychiatrie dans lholocauste par peter chapitre 79 l industrie pharmaceutique corruption medecins oms psychiatres vaccins

ansm psychiatrie amp laboratoires union macabre tous fous l influence de l

comment la psychiatrie et l industrie pharmaceuti - Sep 03 2022

web comment la psychiatrie et l industrie pharmaceuti 3 3 comment la psychiatrie et l industrie pharmaceuti downloaded

from etherpad arts ac uk by guest west powers comment vivre sans stress first cet ouvrage présente une approche nouvelle en psychiatrie du malade et de sa pathologie en intégrant les éléments de l'histoire du

amazon fr comment la psychiatrie et l'industrie pharmaceutique - Aug 14 2023

web noté 5 achetez comment la psychiatrie et l'industrie pharmaceutique ont médicalisé nos émotions de lane christopher isbn 9782081212336 sur amazon fr des millions de livres livrés chez vous en 1 jour

comment la psychiatrie et l'industrie pharmaceutique ont - Jul 13 2023

web mar 4 2009 l'enquête magistrale menée par christopher lane profitant des archives inédites de l'association américaine de psychiatrie nous ouvre les coulisses de cette vaste et ubuesque entreprise de classification des troubles mentaux subventionnée par les géants de la pharmacie appuyée par la surpuissante fda food and drug

comment la psychiatrie et l'industrie pharmaceutique ont - Nov 05 2022

web comment la psychiatrie et l'industrie pharmaceutique ont médicalisé nos émotions par christopher lane aux éditions flammarion connaissez vous l'importance du dsm né aux États unis après la seconde guerre mondiale il est devenu dans les années 1980 avec plus de trois cents maladies tout le catalogue livre ebook et liseuses

comment la psychiatrie et l'industrie pharmaceutique ont - Oct 04 2022

web mar 4 2009 magazine littéraire pour professionnels et curieux les univers de l'édition décryptés à travers l'actualité du livre et ses acteurs rencontre de gutenbergs et du numérique

christopher lane comment la psychiatrie et l'industrie - Sep 15 2023

web notes c lane comment la psychiatrie et l'industrie pharmaceutique ont médicalisé nos émotions traduit de l'anglais par françois boisivon paris flammarion 2009 paru sous le titre shyness how normal behaviour became a sickness yale university press new haven london 2007

comment la psychiatrie et l'industrie pharmaceutique ont - Feb 08 2023

web sous l'influence d'une poignée de psychiatres dogmatiques et avec le soutien d'une industrie pharmaceutique avide de débouchés pour ses nouveaux produits les différents remaniements du dsm ont peu à peu écarté

comment la psychiatrie et l'industrie pharmaceutique ont - May 31 2022

web march 23rd 2020 psychiatrie ment la psychiatrie et l'industrie pharmaceutique ont médicalisé publicité À lire ment la psychiatrie et l'industrie pharmaceutique ont médicalisé nos émotions christopher lane ce livre mérite le détour il fallait l'écrire et c'est encore mieux que ce soit un américain qui s'en charge

comment la psychiatrie et l'industrie pharmaceutique ont - Mar 09 2023

web mar 6 2009 comment la psychiatrie et l'industrie pharmaceutique ont médicalisé nos émotions de christopher lane la maladie de la médicalisation psychologuesenresistance le marché de nos émotions marché de l'angoisse

comment la psychiatrie et l industrie pharmaceutique ont - Dec 06 2022

web connaissez vous l importance du dsm né aux États unis après la seconde guerre mondiale il est devenu dans les années 1980 avec plus de trois cents maladies mentales répertoriées le manuel diagnostique de référence de

pdf christopher lane comment la psychiatrie et l industrie - May 11 2023

web christopher lane comment la psychiatrie et l industrie pharmaceutique ont médicalisé nos émotions pdf christopher lane comment la psychiatrie et l industrie pharmaceutique ont médicalisé nos émotions thierry longé academia edu

comment la psychiatrie et l industrie pharmaceutique ont - Jul 01 2022

web la psychiatrie et l industrie la mafia pharmaceutique et agroalimentaire psychiatrie pdf download ment la psychiatrie et l industrie chapitre 79 l industrie pharmaceutique pour une politique de sant mentale humaniste et dmocratique ment la psychiatrie et l industrie iet donnu edu ua 5 47

comment la psychiatrie et l industrie pharmaceuti copy - Feb 25 2022

web comment la psychiatrie et l industrie pharmaceuti 1 comment la psychiatrie et l industrie pharmaceuti recueil de documents en matière pénale et pénitentiaire les métaphores en pratique entre monts et merveilles expertise psychiatrique

pour une psychiatrie de l ellipse le quotidien de la psychiatrie un monde de fous

a is for arsenic the poisons of agatha - May 19 2022

the fatal dose poison in agatha christie s works - Nov 24 2022

web how is it that some compounds prove so deadly and in such tiny amounts christie s extensive chemical knowledge provides the backdrop for a is for arsenic in which kathryn harkup investigates the poisons used by the murderer

a is for arsenic the poisons of agatha christie worldcat org - Sep 22 2022

a is for arsenic the poisons of agatha christie - Oct 24 2022

web aug 28 2015 kathryn harkup looks at how agatha christie used her chemical training in her detective novels a little old lady knits while she talks about the dangers of prescription drugs elsewhere a book is carelessly left open on the page that describes the extraction of ricin in another house small colourless crystals are found scattered over a tea

a is for arsenic the poisons of agatha christie google books - Jan 15 2022

a is for arsenic the poisons of agatha christie - Dec 14 2021

a is for arsenic the poisons of agatha christie amazon in - Jul 21 2022

the many poisons of agatha christie the hindu - Feb 13 2022

a is for arsenic the poisons of agatha christie amazon com - Aug 22 2022

arsenic a brief history of agatha christie s favourite - Aug 02 2023

web get this from a library a is for arsenic the poisons of agatha christie kathryn harkup investigates the poisons christie employs in fourteen of her mysteries discussing

a is for arsenic the poisons of agatha christie - Oct 04 2023

web sep 5 2015 toxic shock agatha christie s poisons the queen of crime is known for her obscure plots and fiendish clues but her expertise with poisons often goes unnoticed

a is for arsenic the poisons of agatha christie - May 31 2023

web agatha christie s detailed plotting is what makes her books so compelling christie used poison to kill her characters more often than any other murder method with the poison

agatha christie the queen of crime chemistry - Nov 12 2021

a is for arsenic the poisons of agatha christie - Sep 03 2023

web the poisons calmo in the mirror crack d from side to side and serenite in a caribbean mystery are christie inventions master of detective fiction raymond chandler

a is for arsenic the poisons of agatha christie google books - Jun 19 2022

agatha christie from pharmacist s apprentice to poison - Feb 25 2023

web a is for arsenic the poisons of agatha christie has lethal charm kathryn harkup leads every chapter with a literary quote then proceeds to tell us what the poison is

a is for arsenic the poisons of agatha christie - Mar 29 2023

web christie s extensive chemical knowledge provides the backdrop for a is for arsenic in which kathryn harkup investigates the poisons used by the murderer in fourteen classic

a is for arsenic the poisons of agatha christie kathryn harkup - Apr 17 2022

how agatha christie became an expert on poison time - Apr 29 2023

web sep 10 2015 christie s extensive chemical knowledge provides the backdrop for a is for arsenic in which kathryn harkup

investigates the poisons used by the murderer in

toxic shock agatha christie s poisons the guardian - Dec 26 2022

web sep 8 2015 fact and fun packed a is for arsenic looks at why certain chemicals kill how they interact with the body and the feasibility of obtaining administering and

poisons used in agatha christie s mystery novels - Jul 01 2023

web jan 3 2017 christie s extensive chemical knowledge provides the backdrop for a is for arsenic in which kathryn harkup investigates the poisons used by the murderer in

agatha christie and the golden age of poisons the - Jan 27 2023

web nov 12 2015 kathryn harkup chemist and self confessed fan of the mystery author on her new book a is for arsenic harkup a chemist and a self confessed agatha christie

a a is for arsenic the poisons of agatha christie bloomsbury - Mar 17 2022

phd student in nanowire hot carrier solar cells - Mar 15 2023

web phd student in nanowire hot carrier solar cells the semiconductor quantum nanomaterials group at the walter schottky institute wsi technical university of munich tum is looking for a doctoral student m f d in the field of advanced concept solar cells for third generation photovoltaics

ph d thesis the stability of third generation solar cells - Jan 13 2023

web mar 9 2016 stability is one of the key points for real world application of solar cells and is mainly related to the processes that regulate find read and cite all the research you need on researchgate

radial pn junction solar cells thesis library caltech edu - Oct 10 2022

web group at bp solar tres cantos both for encouragement and advice along the way and also for the opportunity to intern at bp solar i am indebted to all of team nanowire namely mike filler mike kelzenberg jim maiolo stephen maldonado kate plass morgan putnam josh spurgeon and the new

nano wire solar cell phd thesis 2022 dotnbm - Jan 01 2022

web solar cells frontier research and innovation in optoelectronics technology and industry fundamentals and applications of nano silicon in plasmonics and fullerines

unnc sari cas doctoral training partnership - Mar 03 2022

web available phd topics formal applications should follow the instructions in the how to apply section phd topic 1 co2

capture and conversion sari supervisor prof wei wei unnc supervisor s prof xiaolei fan short introduction description of phd project co2 capture and conversion are important technology for co2 reduction this project

nano wire solar cell phd thesis pdf cyberlab sutd edu sg - Oct 22 2023

web production characterization and stability of organic solar cell devices aug 12 2022 thymus transcriptome and cell biology jan 17 2023 this volume focuses on challenging field in biomedicine that is the genetic control of central

nano wire solar cell phd thesis full pdf - May 05 2022

web concepts such as quantum dot solar cells and nano wire solar cells using silicon and compound semiconductors economic implications and effects as well as policies and incentives in various countries of the world involved with solar energy implementation in addition to discussing manufacturing facts and

nano wire solar cell phd thesis bououdina mohamed 2023 - Apr 04 2022

web nano wire solar cell phd thesis this is likewise one of the factors by obtaining the soft documents of this nano wire solar cell phd thesis by online you might not require more time to spend to go to the books establishment as well as search for them

pdf nano wire solar cell phd thesis - Sep 21 2023

web nano wire solar cell phd thesis phd thesis dec 07 2021 dendritic cell vaccination of patients with metastatic renal cell carcinoma jul 02 2021 smooth muscle cell recruitment and remodeling during atherogenesis in mice apr 30 2021 regulation of brown fat cell differentiation and function jul 14 2022 cells and robots oct 17 2022

ph d theses open scholarbank nus - May 17 2023

web mar 20 2023 optoelectronic modeling and analysis for transparent perovskite solar cell in four terminal tandem applications tan hu quee maung min myint kyaw 28 apr 2023 spatiality of memory reconstructing the baweanese ponthuk muhammad hadi bin osni 14 may 2023 machine learning acceleration for edge computing in distributed sensor networks

phd thesis technical university of valencia - Feb 14 2023

web solar panel costly due to intensification in manufacturing capabilities thin film solar cells are gaining significance thin film technology is one of the most cost effective and efficient technologies for the manufacturing of solar cells and it is an excellent subject of intense research in the photovoltaic industry

nano wire solar cell phd thesis git 02 infra openwrt org - Nov 30 2021

web nano wire solar cell phd thesis crosslight software publications 2012 2014 resolve a doi name bibme free bibliography amp citation maker mla apa t pradhan comparison of various interatomic potentials for point defect migration in transition metals master thesis ruhr universität bochum abstract a

pdf nano wire solar cell phd thesis - Nov 11 2022

web nano wire solar cell phd thesis photon management in solar cells dec 04 2021 advanced characterization techniques for thin film solar cells aug 20 2020 the book focuses on advanced characterization methods for thin film solar cells that have

proven their relevance both for academic and corporate photovoltaic research and development

[free nano wire solar cell phd thesis cyberlab sutd edu sg](#) - Jul 07 2022

web nano wire solar cell phd thesis solar pv power apr 11 2023 solar pv power design manufacturing and applications from sand to systems details developments in the solar cell manufacturing process including information from system design straight through to the entire value chain of solar pv manufacturing

nano wire solar cell phd thesis 2023 cyberlab sutd edu sg - Jun 06 2022

web nano wire solar cell phd thesis phd thesis jun 15 2022 molecular biology dec 17 2019 molecular biology academic cell update provides an introduction to the fundamental concepts of molecular biology and its applications it deliberately covers a broad range of topics to show that

iii v nanowire array solar cells optical and electrical modelling - Aug 20 2023

web this thesis describes optical and electrical modelling of vertically oriented iii v semiconductor nanowire array solar cells nwascs in the optical studies threedimensional electromagnetic modelling was carried out with the scattering matrix method and the

growth and optical properties of iii v semiconductor nanowires - Jul 19 2023

web this thesis describes epitaxial growth and optical studies of semiconductor nanowires with particular focus on implications and materials for solar energy applications i wish i could show you a photo of a large scale nanowire solar cell device however the path of science is long and this thesis does not contain any nanowire solar cell devices

solar energy master dissertation assistance write a doctorate - Feb 02 2022

web our dissertation or thesis will be completely unique providing you with a solid foundation of solar energy research you may visit our faq page for more information knowledge and versatility whether you need basic solar energy research at master level or complicated research at doctoral level we can begin assisting you right now

[development and characterization of pecvd grown silicon](#) - Jun 18 2023

web efficiency over all wavelengths as compared to a 1 m thick planar solar cell the core shell nanowire device had a short circuit current of 16.2 ma/cm² a 25% improvement over that of the planar thin film solar cell j sc 13.0 ma/cm² core shell nanowire devices did however have lower open circuit voltage compared to the planar device

nano wire solar cell phd thesis orientation sutd edu sg - Dec 12 2022

web nano wire solar cell phd thesis may 6th 2018 quantum computing is computing using quantum mechanical phenomena such as superposition and entanglement a quantum computer is a device that performs quantum computing they are different from binary digital electronic computers based on transistors bibme free bibliography amp citation maker

nanowire photovoltaics nanolund - Apr 16 2023

web nanowire perovskite solar cells we aim to develop nanowire perovskite tandem junction solar cells with high solar energy harvesting efficiency our main focus will be to combine efficient iii v nanowire devices with emerging hybrid materials to form nanostructured tandem junctions

nano wire solar cell phd thesis pdf cyberlab sutd edu sg - Sep 09 2022

web nano wire solar cell phd thesis dendritic cell vaccination of patients with metastatic renal cell carcinoma may 08 2021

atomic layer deposited catalysts for fuel cell applications oct 13 2021 a study of the distribution of iodine between cells and colloid in the thyroid gland aug 30 2020

silicon nanowire based solar cells nanotechnology 19 295203 - Aug 08 2022

web jul 23 2008 abstract and figures the fabrication of silicon nanowire based solar cells on silicon wafers and on multicrystalline silicon thin films on glass is described the nanowires show a strong