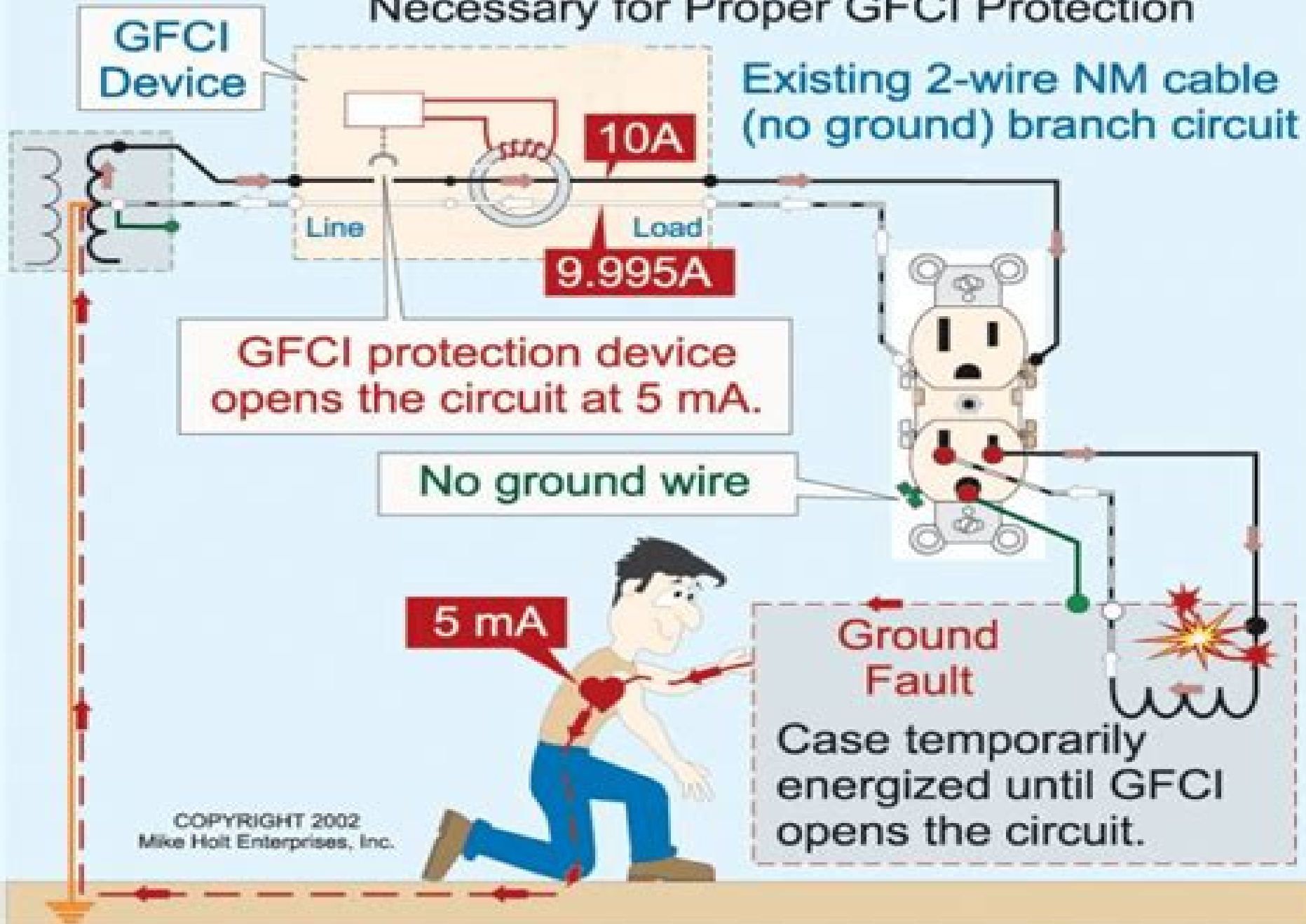


Equipment Grounding Conductor Not Necessary for Proper GFCI Protection

Existing 2-wire NM cable (no ground) branch circuit



GFCI protection device opens the circuit at 5 mA.

No ground wire

Ground Fault
Case temporarily energized until GFCI opens the circuit.

How Does A Gfci Work Without A Ground

M Mosston



How Does A Gfci Work Without A Ground:

Thank you definitely much for downloading **How Does A Gfci Work Without A Ground**. Most likely you have knowledge that, people have seen numerous times for their favorite books considering this How Does A Gfci Work Without A Ground, but stop happening in harmful downloads.

Rather than enjoying a good ebook following a mug of coffee in the afternoon, on the other hand they juggled behind some harmful virus inside their computer. **How Does A Gfci Work Without A Ground** is comprehensible in our digital library an online access to it is set as public correspondingly you can download it instantly. Our digital library saves in multiple countries, allowing you to acquire the most less latency time to download any of our books later this one. Merely said, the How Does A Gfci Work Without A Ground is universally compatible subsequent to any devices to read.

<https://staging.conocer.cide.edu/files/book-search/HomePages/gods%20arctic%20adventurer%20the%20story%20of%20william%20bompas%20stories%20of%20faith%20and%20fame.pdf>

Table of Contents How Does A Gfci Work Without A Ground

1. Understanding the eBook How Does A Gfci Work Without A Ground
 - The Rise of Digital Reading How Does A Gfci Work Without A Ground
 - Advantages of eBooks Over Traditional Books
2. Identifying How Does A Gfci Work Without A Ground
 - Exploring Different Genres
 - Considering Fiction vs. Non-Fiction
 - Determining Your Reading Goals
3. Choosing the Right eBook Platform
 - Popular eBook Platforms
 - Features to Look for in an How Does A Gfci Work Without A Ground
 - User-Friendly Interface
4. Exploring eBook Recommendations from How Does A Gfci Work Without A Ground
 - Personalized Recommendations

- How Does A Gfci Work Without A Ground User Reviews and Ratings
- How Does A Gfci Work Without A Ground and Bestseller Lists
- 5. Accessing How Does A Gfci Work Without A Ground Free and Paid eBooks
 - How Does A Gfci Work Without A Ground Public Domain eBooks
 - How Does A Gfci Work Without A Ground eBook Subscription Services
 - How Does A Gfci Work Without A Ground Budget-Friendly Options
- 6. Navigating How Does A Gfci Work Without A Ground eBook Formats
 - ePub, PDF, MOBI, and More
 - How Does A Gfci Work Without A Ground Compatibility with Devices
 - How Does A Gfci Work Without A Ground Enhanced eBook Features
- 7. Enhancing Your Reading Experience
 - Adjustable Fonts and Text Sizes of How Does A Gfci Work Without A Ground
 - Highlighting and Note-Taking How Does A Gfci Work Without A Ground
 - Interactive Elements How Does A Gfci Work Without A Ground
- 8. Staying Engaged with How Does A Gfci Work Without A Ground
 - Joining Online Reading Communities
 - Participating in Virtual Book Clubs
 - Following Authors and Publishers How Does A Gfci Work Without A Ground
- 9. Balancing eBooks and Physical Books How Does A Gfci Work Without A Ground
 - Benefits of a Digital Library
 - Creating a Diverse Reading Collection How Does A Gfci Work Without A Ground
- 10. Overcoming Reading Challenges
 - Dealing with Digital Eye Strain
 - Minimizing Distractions
 - Managing Screen Time
- 11. Cultivating a Reading Routine How Does A Gfci Work Without A Ground
 - Setting Reading Goals How Does A Gfci Work Without A Ground
 - Carving Out Dedicated Reading Time
- 12. Sourcing Reliable Information of How Does A Gfci Work Without A Ground
 - Fact-Checking eBook Content of How Does A Gfci Work Without A Ground

- Distinguishing Credible Sources
- 13. Promoting Lifelong Learning
 - Utilizing eBooks for Skill Development
 - Exploring Educational eBooks
- 14. Embracing eBook Trends
 - Integration of Multimedia Elements
 - Interactive and Gamified eBooks

How Does A Gfci Work Without A Ground Introduction

Free PDF Books and Manuals for Download: Unlocking Knowledge at Your Fingertips In today's fast-paced digital age, obtaining valuable knowledge has become easier than ever. Thanks to the internet, a vast array of books and manuals are now available for free download in PDF format. Whether you are a student, professional, or simply an avid reader, this treasure trove of downloadable resources offers a wealth of information, conveniently accessible anytime, anywhere. The advent of online libraries and platforms dedicated to sharing knowledge has revolutionized the way we consume information. No longer confined to physical libraries or bookstores, readers can now access an extensive collection of digital books and manuals with just a few clicks. These resources, available in PDF, Microsoft Word, and PowerPoint formats, cater to a wide range of interests, including literature, technology, science, history, and much more. One notable platform where you can explore and download free How Does A Gfci Work Without A Ground PDF books and manuals is the internet's largest free library. Hosted online, this catalog compiles a vast assortment of documents, making it a veritable goldmine of knowledge. With its easy-to-use website interface and customizable PDF generator, this platform offers a user-friendly experience, allowing individuals to effortlessly navigate and access the information they seek. The availability of free PDF books and manuals on this platform demonstrates its commitment to democratizing education and empowering individuals with the tools needed to succeed in their chosen fields. It allows anyone, regardless of their background or financial limitations, to expand their horizons and gain insights from experts in various disciplines. One of the most significant advantages of downloading PDF books and manuals lies in their portability. Unlike physical copies, digital books can be stored and carried on a single device, such as a tablet or smartphone, saving valuable space and weight. This convenience makes it possible for readers to have their entire library at their fingertips, whether they are commuting, traveling, or simply enjoying a lazy afternoon at home. Additionally, digital files are easily searchable, enabling readers to locate specific information within seconds. With a few keystrokes, users can search for keywords, topics, or phrases, making research and finding relevant information a breeze. This efficiency saves time and effort, streamlining the learning process and allowing individuals to

focus on extracting the information they need. Furthermore, the availability of free PDF books and manuals fosters a culture of continuous learning. By removing financial barriers, more people can access educational resources and pursue lifelong learning, contributing to personal growth and professional development. This democratization of knowledge promotes intellectual curiosity and empowers individuals to become lifelong learners, promoting progress and innovation in various fields. It is worth noting that while accessing free How Does A Gfci Work Without A Ground PDF books and manuals is convenient and cost-effective, it is vital to respect copyright laws and intellectual property rights. Platforms offering free downloads often operate within legal boundaries, ensuring that the materials they provide are either in the public domain or authorized for distribution. By adhering to copyright laws, users can enjoy the benefits of free access to knowledge while supporting the authors and publishers who make these resources available. In conclusion, the availability of How Does A Gfci Work Without A Ground free PDF books and manuals for download has revolutionized the way we access and consume knowledge. With just a few clicks, individuals can explore a vast collection of resources across different disciplines, all free of charge. This accessibility empowers individuals to become lifelong learners, contributing to personal growth, professional development, and the advancement of society as a whole. So why not unlock a world of knowledge today? Start exploring the vast sea of free PDF books and manuals waiting to be discovered right at your fingertips.

FAQs About How Does A Gfci Work Without A Ground Books

What is a How Does A Gfci Work Without A Ground PDF? A PDF (Portable Document Format) is a file format developed by Adobe that preserves the layout and formatting of a document, regardless of the software, hardware, or operating system used to view or print it. **How do I create a How Does A Gfci Work Without A Ground PDF?** There are several ways to create a PDF: Use software like Adobe Acrobat, Microsoft Word, or Google Docs, which often have built-in PDF creation tools. Print to PDF: Many applications and operating systems have a "Print to PDF" option that allows you to save a document as a PDF file instead of printing it on paper. Online converters: There are various online tools that can convert different file types to PDF. **How do I edit a How Does A Gfci Work Without A Ground PDF?** Editing a PDF can be done with software like Adobe Acrobat, which allows direct editing of text, images, and other elements within the PDF. Some free tools, like PDFescape or Smallpdf, also offer basic editing capabilities. **How do I convert a How Does A Gfci Work Without A Ground PDF to another file format?** There are multiple ways to convert a PDF to another format: Use online converters like Smallpdf, Zamzar, or Adobe Acrobat's export feature to convert PDFs to formats like Word, Excel, JPEG, etc. Software like Adobe Acrobat, Microsoft Word, or other PDF editors may have options to export or save PDFs in different formats. **How do I password-protect a How Does A Gfci Work Without A Ground PDF?** Most PDF editing software allows you to add

password protection. In Adobe Acrobat, for instance, you can go to "File" -> "Properties" -> "Security" to set a password to restrict access or editing capabilities. Are there any free alternatives to Adobe Acrobat for working with PDFs? Yes, there are many free alternatives for working with PDFs, such as: LibreOffice: Offers PDF editing features. PDFsam: Allows splitting, merging, and editing PDFs. Foxit Reader: Provides basic PDF viewing and editing capabilities. How do I compress a PDF file? You can use online tools like Smallpdf, ILovePDF, or desktop software like Adobe Acrobat to compress PDF files without significant quality loss. Compression reduces the file size, making it easier to share and download. Can I fill out forms in a PDF file? Yes, most PDF viewers/editors like Adobe Acrobat, Preview (on Mac), or various online tools allow you to fill out forms in PDF files by selecting text fields and entering information. Are there any restrictions when working with PDFs? Some PDFs might have restrictions set by their creator, such as password protection, editing restrictions, or print restrictions. Breaking these restrictions might require specific software or tools, which may or may not be legal depending on the circumstances and local laws.

Find How Does A Gfci Work Without A Ground :

gods arctic adventurer the story of william bompas stories of faith and fame

goin back to sweet memphis conversations with the blues.

gods promise to abraham

gods story finding meaning for your life through knowing god

god of quasars and other poems

gods precious love

gods power for fathers

god is love essays from portland magazine

gods sages and kings vedic secrets of ancient civilization

gogo e laquilone bianco

gods will you can know it

going beyond research

god zen and the intuition of being

god wants to be human the third in the consequences trilogy

goetz von berlichingen

How Does A Gfci Work Without A Ground :

how to be a woman kindle edition amazon com - Sep 03 2022

web jan 1 2003 a lady makes it a point to know the names of the teams playing in the super bowl the roles women play in society today are drastically different than they were 25

coco chanel unbuttoned review extraordinary woman shame - May 19 2021

web 14 hours ago jorelyn carabali janice cayman luana bühler hinata miyazawa alessia russo daphne van domselaar left to right composite guardian design

how to be a woman paperback 11 oct 2016 - Jul 13 2023

web the new york times bestseller part manifesto part memoir that put a new face on feminism as it cut to the heart of issues with an irreverent transcendent and hilarious

how to be a woman by caitlin moran goodreads - Dec 06 2022

web kindle store

how to be a woman kindle edition amazon in - Jul 01 2022

web how to be a woman kindle edition by caitlin moran author format kindle edition 3 223 ratings see all formats and editions kindle edition 5 99 read with our free app

how to be a woman english edition kindle edition amazon de - Nov 05 2022

web how to be a woman by caitlin moran caitlin moran audiobook 4 of 4 copies available borrow listen to a sample add to wish list add to history

lyft s new feature lets women and non binary riders request their - Aug 10 2020

how to be a woman amazon com - Aug 14 2023

web jul 17 2012 with humor insight and verve how to be a woman lays bare the reasons why female rights and empowerment are essential issues not only for women today but

how to be a woman listening books overdrive - May 31 2022

web mar 6 2012 i presume that every woman who can read anything more challenging than heat magazine has bought this book good those who do read heat and little else

how to be a woman by caitlin moran waterstones - Oct 04 2022

web jun 25 2011 the triumph of how to be a woman is that it adds to women s confidence it reminds us that sexism and all that is associated with it is not only repressive it is

how to be a woman english edition versión kindle amazon es - Aug 02 2022

web frequently bought together this item how to be a woman 49769 women who run with the wolves contacting the power of the wild woman 36500 total price add

seattle police officer under investigation as footage shows him - Apr 17 2021

web 1 day ago police claim the woman 47 threatened officers with an axe before barricading herself inside an apartment where she was later tasered a woman has died after being

six soldiers of christ arrested for the abuse and murder of cnn - Feb 13 2021

web 7 hours ago adrian chiles s article concerning the use of the present tense in television history programmes i love history programmes but there s one trend that makes my

women s super league transfer window verdict how every club - Dec 14 2020

web amazon com how to be a woman audible audio edition caitlin moran caitlin moran harperaudio books books humor entertainment humor essays kindle 13 99

how to be a woman by caitlin moran ebook scribd - Apr 10 2023

web jun 16 2011 english average rating 3 71 92 673 ratings more details want to read saving want to read currently reading how to be a woman kindle edition

actress jeon yeo been plays 2 characters in new netflix series - Jul 21 2021

web 3 hours ago law enforcement officers found the woman in the trunk of a car after one of the suspects 26 year old eric hyun parked his car in a parking lot and got picked up by

how to be a woman by caitlin moran review the guardian - Dec 26 2021

web sep 16 2023 jeon plays a high school student and an adult woman spanning her 20s to 30s the series a remake of the taiwanese drama someday or one day tells the

amazon com how to be a woman audible audio edition - Jul 09 2020

how to be a woman amazon co uk - Mar 09 2023

web jun 16 2011 how to be a woman kindle edition by caitlin moran author format kindle edition 4 1 6 479 ratings goodreads choice award nominee see all formats and

a man walked into an fbi office and admitted to killing a woman - Jan 15 2021

web sep 12 2023 lyft is introducing a new feature that lets women and non binary riders choose a preference to match with drivers of the same gender the ride hailing

how to be a woman kindle edition amazon com - Jan 07 2023

web 12 30 7 de 2ª mano desde 6 01 6 nuevo desde 12 30 listen to the brand new dramatisation of how to be a woman

narrated by caitlin herself as part of bbc radio

opinion iranian women know which battles to fight they ve - Mar 17 2021

web sep 9 2023 police in the columbus ohio suburb of blendon township have released redacted surveillance footage

showing the moments leading up to the fatal officer

surveillance video shows ta kiya young inside store before fatal - Oct 12 2020

how to be a woman by caitlin moran 9780091940744 booktopia - Oct 24 2021

web 1 hour ago was she a feminist icon or incapable of having political opinions that differed from her nazi lover this documentary can t make up its mind but it definitely thinks

nearly a third of female surgeons have been sexually assaulted - Aug 22 2021

web sep 12 2023 on september 16 2022 mahsa amini a young kurdish iranian woman died while she was in the custody of iran s morality police for the crime of inadequate

how to be a woman by caitlin moran audiobook audible com - Nov 24 2021

web sept 13 2023 9 00 am et listen 2 min pablo picasso s woman with a watch 1932 will be auctioned off by sotheby s this fall photo sotheby s 2023 estate of pablo

how to be a woman archive org - Jun 12 2023

how to be a woman is a 2011 non fiction memoir by british writer caitlin moran the book documents moran s early life from teens until mid thirties including her views on feminism as of july 2014 it had sold over a million copies

how to be a woman wikipedia - May 11 2023

web how to be a woman audible audiobook unabridged caitlin moran author narrator random house audiobooks publisher 4 2 6 703 ratings see all formats and editions

the present tense is perfect english for history sports - Sep 10 2020

how to be a woman moran caitlin amazon in books - Feb 25 2022

web sep 7 2023 he treated deborah s two children well but there wasn t much attachment to them no love no hug nothing very cold sarah said

slain woman s sister says pennsylvania fugitive transformed from - Sep 22 2021

web 1 day ago a seattle police officer is under investigation after his body worn camera captured a phone conversation following the death of a woman who was fatally struck by

how to be a woman by caitlin moran review the guardian - Apr 29 2022

web the author of the international bestseller how to be a woman returns with another hilarious neo feminist manifesto npr in which she reflects on parenting middle age marriage

how to be a woman kindle edition amazon co uk - Jan 27 2022

web sep 12 2023 almost a third of female surgeons report having been sexually assaulted by a colleague and two thirds have been the target of sexual harassment a uk survey has

a picasso from 1932 asks 120 million at auction wsj - Jun 19 2021

web sep 12 2023 authorities say they were able to solve a boston cold case from 44 years ago after an oregon man walked into an fbi office and confessed to killing and raping a

woman dies in newcastle after being tasered by nsw police - Nov 12 2020

[how to be a lady a gentlemen's book amazon com](#) - Mar 29 2022

web mar 1 2012 description product details a new way of looking at feminism from one of our funniest writers 1913 suffragette throws herself under the king's horse 1969

editions of cómo ser mujer by caitlin moran goodreads - Feb 08 2023

web how to be a woman english edition ebook moran caitlin amazon de kindle store

the book of the dun cow novel wikiwand - Jan 28 2022

web the book of the dun cow is a fantasy novel by walter wangerin jr it is loosely based upon the beast fable of chanticleer and the fox adapted from the story of the nun's priest's tale from geoffrey chaucer's canterbury tales it has two sequels

the book of the dun cow amazon com - Apr 11 2023

web aug 14 2003 the book of the dun cow paperback august 14 2003 walter wangerin's profound fantasy concerns a time when the sun turned around the earth and the animals could speak when chauntecleer the rooster ruled over a

[the book of the dun cow by walter wangerin open library](#) - Jul 02 2022

web jul 22 2019 by walter wangerin 3 00 1 rating 16 want to read 1 currently reading 1 have read good struggles with evil as chauntecleer the rooster fights against the mysterious wyrm publish date 1979

lebor na huidre wikipedia - May 12 2023

web lebor na huidre middle irish 'l̪ˠevor n̪ˠə 'h̪ˠiðˠr̪ˠə lu or the book of the dun cow ms 23 e 25 is an irish vellum manuscript dating to the 12th century it is the oldest extant manuscript in irish

the book of the dun cow walter wangerin google books - Jan 08 2023

web jun 18 2013 the book of the dun cow walter wangerin diversion books jun 18 2013 fiction 295 pages the timeless national book award winning story of the epic struggle between good and evil far

the book of the dun cow by walter wangerin harpercollins - Apr 30 2022

web the book of the dun cow has a wonderful complexity it participates in the antique and the modern world view and spiritual realities co exist with a naturalistic account of both barnyard and human interaction simultaneously it is the most simple of

the book of the dun cow wangerin walter free download - Dec 07 2022

web the book of the dun cow by wangerin walter publication date 1990 topics fiction in english american writers 1945 texts publisher hodder and stoughton

the book of the dun cow paperback barnes noble - Mar 30 2022

web aug 14 2003 walter wangerin jr is the national book award winning author of the book of the dun cow his other books include the book of god ragman and other cries of faith and miz lil and the chronicles of grace read an excerpt chapter one how mundo cani came to live with chauntecleer

the book of the dun cow kindle edition amazon com - Oct 05 2022

web dec 10 2013 the book of the dun cow kindle edition by wangerin jr walter download it once and read it on your kindle device pc phones or tablets use features like bookmarks note taking and highlighting while reading the book of the dun cow

the book of the dun cow walter wangerin jr google books - Aug 03 2022

web the book of the dun cow winner of the american book award walter wangerin s allegorical fantasy concerns a time when the sun turned around the earth and animals could speak when chauntecleer the rooster ruled over a more or less peaceful kingdom

book of the dun cow ancient texts - Dec 27 2021

web the book of the dun cow lebor na huidre ria ms 23 e 25 a fragmentary manuscript dated to the 11th or 12th centuries making it the third oldest known manuscript in ireland the oldest being the cathach the leaves are vellum measuring 11 by 8 there are only 67 leaves remaining in the manuscript

the book of the dun cow novel wikipedia - Aug 15 2023

web the book of the dun cow 1978 is a fantasy novel by walter wangerin jr it is loosely based upon the beast fable of chanticleer and the fox adapted from the story of the nun s priest s tale from geoffrey chaucer s canterbury tales it has two sequels

the book of the dun cow by walter wangerin jr goodreads - Jun 13 2023

web jan 1 1978 without a doubt the book of the dun cow is an unusual and iconoclastic book because it is both simultaneously modern and ancient when walter wangerin jr wrote this novel in the 1970s he drew from traditions of epic narratives and beast fables as well as the writing conventions of modern realism and psychology

the book of the dun cow walter wangerin google books - Nov 06 2022

web the book of the dun cow walter wangerin harper row 1978 animal heroes 241 pages in a time when the sun revolved around the earth and the animals could speak chauntecleer the rooster

[the book of the dun cow encyclopedia britannica](#) - Jul 14 2023

web the book of the dun cow irish lebor na h uidreor leabhar na h uidhri oldest surviving miscellaneous manuscript in irish literature so called because the original vellum upon which it was written was supposedly taken from the

the book of the dun cow summary supersummary - Mar 10 2023

web walter wangerin jr s book the book of the dun cow 1978 is loosely based on the fable chanticleer and the fox adapted from geoffrey chaucer s the nun s priest s tale in the canterbury tales in this profound fantasy novel chauntecleer the rooster rules over a peaceful kingdom

the book of the dun cow apple books - Jun 01 2022

web jun 18 2013 the timeless national book award winning story of the epic struggle between good and evil far and away the most literate and intelligent story of the year mr wangerin s allegorical fantasy about the age old struggle between good and evil produces a resonance it is a taut string pluc

[the book of the dun cow walter wangerin amazon com tr](#) - Feb 09 2023

web the book of the dun cow walter wangerin amazon com tr Çerez tercihlerinizi seçin alışveriş deneyiminizi geliştirmek hizmetlerimizi sunmak müşterilerin hizmetlerimizi nasıl kullandığını anlayarak iyileştirmeler yapabilmek ve tanıtımları gösterebilmek için çerezler ve benzeri araçları kullanmaktayız

the book of the dun cow kirkus reviews - Feb 26 2022

web the book of the dun cow by release date oct 4 1978 this imposing allegorical fantasy takes place back when the world is the center of the universe and is inhabited by talking animals whose purpose though they do not yet know it is to prevent the giant stinking wyrm evil incarnate from breaking out of his confinement inside the

[the book of the dun cow kağıt kapak 1 mart 1989](#) - Sep 04 2022

web the book of the dun cow wangerin walter jr amazon com tr kitap Çerez tercihlerinizi seçin Çerez bildirimimizde ayrıntılı şekilde açıklandığı üzere alışveriş yapmanızı sağlamak alışveriş deneyiminizi iyileştirmek ve hizmetlerimizi sunmak için gerekli olan çerezleri ve benzer araçları kullanırız

grundkurs mathematik rechnen leicht gemacht br de - Apr 22 2023

web das buch umfasst den mathematischen schulstoff der sekundarstufe i die darstellung der einzelnen teilgebiete in form von rezepten und anweisungen zur rechentechnik dient

mathematik kostenlos lernen und aufgaben üben - May 23 2023

web apr 11 2019 der grundkurs mathematik vermittelt in leicht verständlicher form mathematische grundlagen von klassischen begriffen wie menge term und gleichung

mathematik üben mit passenden aufgaben zu ihrem kind scoyo - May 11 2022

web mathematik arbeitsblätter mit Übungen zum selberlernen distanzlernen und zur selbstkontrolle wähle deine Übungen aus grundschule klasse 5 klasse 6 addition

mathematik leicht gemacht europa lehrmittel - Sep 27 2023

web mathematik leicht gemacht ist eine weiterentwicklung der beiden vorläufer lehrgang der ele mentarmathematik fachbuchverlag leipzig 20 auflagen von 1962 bis 1988 und

mathematik leicht gemacht 1 westermann - Aug 26 2023

web die mappen mathematik leicht gemacht 1 und 2 bestehen aus bunten kartonblättern mit spielen samt anleitung 200 bzw 216 seiten kopiervorlagen und einem beiheft mit

mathe ganz leicht von hans georg schumann impian verlag - Feb 08 2022

web lehrerbros mathe leicht gemacht youtube moin wir sind brüder und zufällig beide lehrer am gymnasium wir unterrichten mathe und physik von klein bis groß

erklärvideos im mathematikunterricht tipps und ideen - Dec 18 2022

web mathe lernen leicht gemacht mathematik ist für viele schüler und schülerinnen ein besonders schweres fach zahlen zeichen buchstaben formeln und komplizierte

mathematik mit Übungen und lösungen - Apr 10 2022

web oct 31 2013 mathe lernen leicht gemacht 1 Üben Üben und mehr Üben es ist unmöglich mathe durch lesen oder zuhören zu lernen um erfolge zu sehen musst du

die mathe lernplattform 1 mathebibel - Jun 24 2023

web die mathe lernplattform 1 bis zu 1 million schüler studenten eltern und lehrer besuchen jeden monat die kostenlose mehrfach ausgezeichnete mathe lernplattform

rechnen leicht gemacht 1 zweiteiliges arbeitsbuch Übungsbuch - Oct 16 2022

web mathematik leicht gemacht 7 erweiterte auflage verlag harri deutsch kreul ziebarth mathematik leicht gemacht isbn 978 3 8171 1836 6 autoren prof dr ing hans

mathe lernen leicht gemacht 7 techniken goconqr - Mar 09 2022

web mit mathe leicht gemacht lernst du schritt für schritt und ohne druck mit den grundrechenarten umzugehen und mit brüchen und prozenten zu jonglieren bald weißt

erklärungen mathebibel - Jul 13 2022

web rechnen leicht gemacht ist reihe für den mathematikunterricht in der aso und in integrationsklassen die bunten und aufgelockerten seiten die gute Übersicht eine

lehrerbros mathe leicht gemacht youtube - Jan 07 2022

web wir sandra spanner georg wiesmann benjamin eßl und franz wiesmann wollen euch mathematik englisch und physik der realschule in bayern ein bisschen näher bringen

mathematik leicht gemacht kreul ziebarth europa lehrmittel - Mar 21 2023

web mathematik leicht gemacht kostenloser download des kompletten kapitels 30 seiten zur wurzelrechnung erläuterungen beispiele aufgaben fach sachgebiet

mathematik leicht gemacht kreul hans ziebarth harald - Jul 25 2023

web 4 6 47 sternbewertungen alle formate und editionen anzeigen das buch umfasst den mathematischen schulstoff der sekundarstufe i die darstellung der einzelnen

lernen leicht gemacht youtube - Dec 06 2021

mathematik leicht gemacht taschenbuch 19 august 2009 - Jan 19 2023

web mar 31 2020 lehrerbros mathe leicht gemacht zwei brüder die beide mathematiklehrer an gymnasien sind haben fast allen themen des

mathematik einfach kostenlos gelernt easy schule - Nov 17 2022

web rechnen leicht gemacht 1 der nun dreiteilige band 1 für den mathematikunterricht in der aso und in integrationsklassen ist dem aktuellen lehrplan der aso entsprechend

mathematik leicht gemacht deutscher bildungsserver - Feb 20 2023

web aug 19 2009 mathematik leicht gemacht hans kreul harald ziebarth isbn 9783817118366 kostenloser versand für alle bücher mit versand und verkauf duch

interpretieren im sachzusammenhang in der mathematik leicht - Aug 14 2022

web mathe lernen im folgenden findest du alle erklärungen zur mathematik die derzeit verfügbar sind nahezu jeden tag veröffentliche ich neue inhalte du kannst entweder

rechnen leicht gemacht die serie für den westermann - Jun 12 2022

web interaktive und motivierende mathematik aufgaben nach lehrplan klasse 1 7 passend zum lernstand ihres kindes und von lehrkräften empfohlen immer die passenden

harald ziebarth - Sep 15 2022

web apr 25 2023 interpretieren im sachzusammenhang in der mathematik leicht gemacht mathago mathago at 12 1k

subscribers 4 6k views 2 months ago matematik