

C.4.

To Dismantle Vertical Type (see Fig. 4)

1. Remove long bolt 12 which screws into boss filter base.
2. Tap head assembly 3 free from barrel 2, withdraw element 21 and remove "C" spring 20 from boss.
3. Remove top pressure plate 19, felt washer 18, plain washer 17, and element locating spring 16.

7. Tap base assembly off barrel 2.
8. From base assembly remove "C" spring 22. Detach pressure plate 23 and felt washer 24 from boss and rubber jointing 25 from its groove.
9. Wash all parts in paraffin and rebuild base assembly.

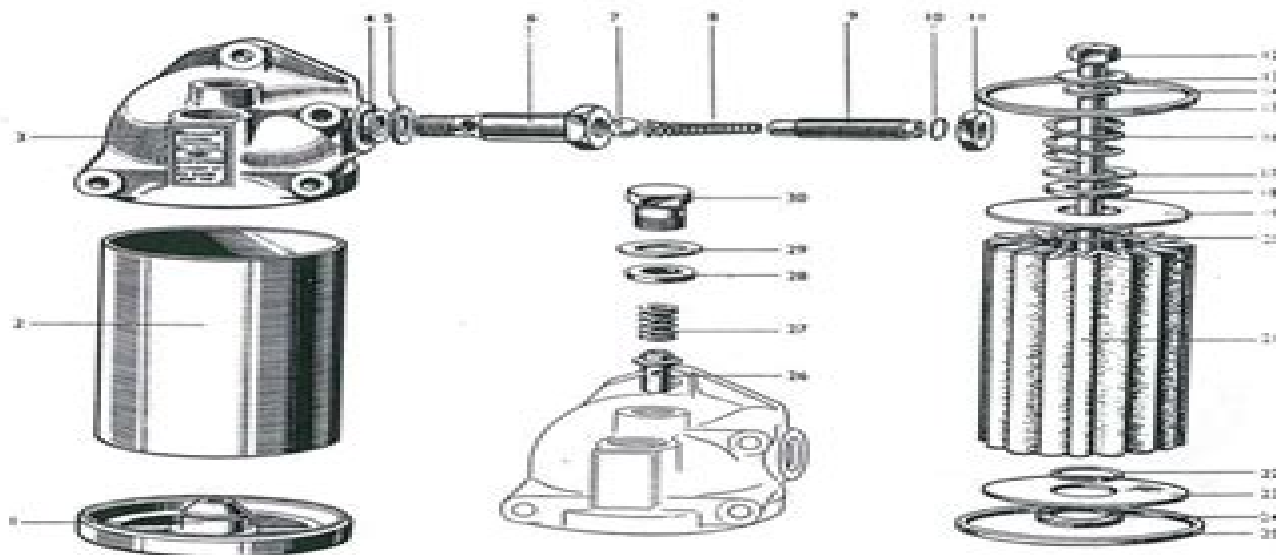


FIG. 4

4. Unscrew and remove safety valve plug 30, spring 27, and valve 26. Remove plug washer 29, and rubber sealing washer 28 from recess in plug boss.
5. Withdraw pressure relief valve assembly with washer 5 and seal 4 after unscrewing the larger hexagon on body 6.
6. Dismantle pressure relief valve assembly by unscrewing locknut 11 and plug 9 and withdrawing spring 8 and ball 7.

Re-Assembly of vertical type

Before re-assembly, carefully scrape all paint and dirt from machined faces and bosses, wash all parts in paraffin and blow out with compressed air. Re-new any defective part, paying particular attention to rubber and felt sealing washers.

1. Insert ball 7 in pressure relief valve body 6 and locate spring 8 with its

Ferguson Tea 20 Service Manual

AW Chickering



Ferguson Tea 20 Service Manual:

Discover tales of courage and bravery in Crafted by is empowering ebook, **Ferguson Tea 20 Service Manual** . In a downloadable PDF format (*), this collection inspires and motivates. Download now to witness the indomitable spirit of those who dared to be brave.

<https://staging.conocer.cide.edu/files/book-search/fetch.php/Fruit%20Of%20The%20Spirit%20Is%20Self%20Co.pdf>

Table of Contents Ferguson Tea 20 Service Manual

1. Understanding the eBook Ferguson Tea 20 Service Manual
 - The Rise of Digital Reading Ferguson Tea 20 Service Manual
 - Advantages of eBooks Over Traditional Books
2. Identifying Ferguson Tea 20 Service Manual
 - Exploring Different Genres
 - Considering Fiction vs. Non-Fiction
 - Determining Your Reading Goals
3. Choosing the Right eBook Platform
 - Popular eBook Platforms
 - Features to Look for in an Ferguson Tea 20 Service Manual
 - User-Friendly Interface
4. Exploring eBook Recommendations from Ferguson Tea 20 Service Manual
 - Personalized Recommendations
 - Ferguson Tea 20 Service Manual User Reviews and Ratings
 - Ferguson Tea 20 Service Manual and Bestseller Lists
5. Accessing Ferguson Tea 20 Service Manual Free and Paid eBooks
 - Ferguson Tea 20 Service Manual Public Domain eBooks
 - Ferguson Tea 20 Service Manual eBook Subscription Services
 - Ferguson Tea 20 Service Manual Budget-Friendly Options
6. Navigating Ferguson Tea 20 Service Manual eBook Formats

- ePub, PDF, MOBI, and More
 - Ferguson Tea 20 Service Manual Compatibility with Devices
 - Ferguson Tea 20 Service Manual Enhanced eBook Features
7. Enhancing Your Reading Experience
 - Adjustable Fonts and Text Sizes of Ferguson Tea 20 Service Manual
 - Highlighting and Note-Taking Ferguson Tea 20 Service Manual
 - Interactive Elements Ferguson Tea 20 Service Manual
 8. Staying Engaged with Ferguson Tea 20 Service Manual
 - Joining Online Reading Communities
 - Participating in Virtual Book Clubs
 - Following Authors and Publishers Ferguson Tea 20 Service Manual
 9. Balancing eBooks and Physical Books Ferguson Tea 20 Service Manual
 - Benefits of a Digital Library
 - Creating a Diverse Reading Collection Ferguson Tea 20 Service Manual
 10. Overcoming Reading Challenges
 - Dealing with Digital Eye Strain
 - Minimizing Distractions
 - Managing Screen Time
 11. Cultivating a Reading Routine Ferguson Tea 20 Service Manual
 - Setting Reading Goals Ferguson Tea 20 Service Manual
 - Carving Out Dedicated Reading Time
 12. Sourcing Reliable Information of Ferguson Tea 20 Service Manual
 - Fact-Checking eBook Content of Ferguson Tea 20 Service Manual
 - Distinguishing Credible Sources
 13. Promoting Lifelong Learning
 - Utilizing eBooks for Skill Development
 - Exploring Educational eBooks
 14. Embracing eBook Trends
 - Integration of Multimedia Elements
 - Interactive and Gamified eBooks

Ferguson Tea 20 Service Manual Introduction

Ferguson Tea 20 Service Manual Offers over 60,000 free eBooks, including many classics that are in the public domain. Open Library: Provides access to over 1 million free eBooks, including classic literature and contemporary works. Ferguson Tea 20 Service Manual Offers a vast collection of books, some of which are available for free as PDF downloads, particularly older books in the public domain. Ferguson Tea 20 Service Manual : This website hosts a vast collection of scientific articles, books, and textbooks. While it operates in a legal gray area due to copyright issues, its a popular resource for finding various publications. Internet Archive for Ferguson Tea 20 Service Manual : Has an extensive collection of digital content, including books, articles, videos, and more. It has a massive library of free downloadable books. Free-eBooks Ferguson Tea 20 Service Manual Offers a diverse range of free eBooks across various genres. Ferguson Tea 20 Service Manual Focuses mainly on educational books, textbooks, and business books. It offers free PDF downloads for educational purposes. Ferguson Tea 20 Service Manual Provides a large selection of free eBooks in different genres, which are available for download in various formats, including PDF. Finding specific Ferguson Tea 20 Service Manual, especially related to Ferguson Tea 20 Service Manual, might be challenging as theyre often artistic creations rather than practical blueprints. However, you can explore the following steps to search for or create your own Online Searches: Look for websites, forums, or blogs dedicated to Ferguson Tea 20 Service Manual, Sometimes enthusiasts share their designs or concepts in PDF format. Books and Magazines Some Ferguson Tea 20 Service Manual books or magazines might include. Look for these in online stores or libraries. Remember that while Ferguson Tea 20 Service Manual, sharing copyrighted material without permission is not legal. Always ensure youre either creating your own or obtaining them from legitimate sources that allow sharing and downloading. Library Check if your local library offers eBook lending services. Many libraries have digital catalogs where you can borrow Ferguson Tea 20 Service Manual eBooks for free, including popular titles. Online Retailers: Websites like Amazon, Google Books, or Apple Books often sell eBooks. Sometimes, authors or publishers offer promotions or free periods for certain books. Authors Website Occasionally, authors provide excerpts or short stories for free on their websites. While this might not be the Ferguson Tea 20 Service Manual full book , it can give you a taste of the authors writing style. Subscription Services Platforms like Kindle Unlimited or Scribd offer subscription-based access to a wide range of Ferguson Tea 20 Service Manual eBooks, including some popular titles.

FAQs About Ferguson Tea 20 Service Manual Books

How do I know which eBook platform is the best for me? Finding the best eBook platform depends on your reading preferences and device compatibility. Research different platforms, read user reviews, and explore their features before

making a choice. Are free eBooks of good quality? Yes, many reputable platforms offer high-quality free eBooks, including classics and public domain works. However, make sure to verify the source to ensure the eBook credibility. Can I read eBooks without an eReader? Absolutely! Most eBook platforms offer web-based readers or mobile apps that allow you to read eBooks on your computer, tablet, or smartphone. How do I avoid digital eye strain while reading eBooks? To prevent digital eye strain, take regular breaks, adjust the font size and background color, and ensure proper lighting while reading eBooks. What the advantage of interactive eBooks? Interactive eBooks incorporate multimedia elements, quizzes, and activities, enhancing the reader engagement and providing a more immersive learning experience. Ferguson Tea 20 Service Manual is one of the best book in our library for free trial. We provide copy of Ferguson Tea 20 Service Manual in digital format, so the resources that you find are reliable. There are also many Ebooks of related with Ferguson Tea 20 Service Manual. Where to download Ferguson Tea 20 Service Manual online for free? Are you looking for Ferguson Tea 20 Service Manual PDF? This is definitely going to save you time and cash in something you should think about.

Find Ferguson Tea 20 Service Manual :

fruit of the spirit is self co

functional roles of glial cells in health and disease dialogue between glia and neurons

full circles geographies of women over the life course

~~fuels lubricants~~

full of life.

fundamentalisms and the state remaking politics economies and millitance

~~fund.of fin.acct. text~~

full circle a life with hong kong and china

fundamental and conceptual design of passenger car structure

frost hollows and other microclimates

fruit tramps a family of migrant farmworkers

~~fullerenebased materials~~

fun with my first wordsrubian hebrew edition

fugitive king

fun with the family in north carolina

Ferguson Tea 20 Service Manual :**induction programme rotary club of baguio pdf uniport edu** - Jan 08 2023

web apr 27 2023 said the induction programme rotary club of baguio is universally compatible in the same way as any devices to read indigenous data sovereignty tahu kukutai 2016 11 14 as the global data revolution accelerates how can the data rights and interests of indigenous peoples be secured premised on the united nations declaration

rotary club of baguio baguio city facebook - Jul 14 2023

web rotary club of baguio baguio city 2 222 likes 10 talking about this 198 were here founded in 1938 facebook com thecanao

induction programme rotary club of baguio secure4 khronos - Nov 06 2022

web jun 26 2023 induction programme rotary club of baguio therefore easy our online repository hosts in several positions allowing you to fetch the most less delay period to download any of our books like this one we pay for induction programme rotary club of baguio and countless books assortments from fictions to scientific investigationh in any

induction programme rotary club of baguio copy uniport edu - Jan 28 2022

web jun 18 2023 induction programme rotary club of baguio by online you might not require more get older to spend to go to the ebook creation as with ease as search for them in some cases you likewise realize not discover the pronouncement induction programme rotary club of baguio that you are looking for it will certainly squander the time

rotary club of baguio summer capital incorporated rcbsc - Feb 09 2023

web rc baguio summer capital partnered with the following clubs based on shared and similar interests and challenges joint project partnerships in the past vision to develop communities and shared values in terms of service and fellowship

induction programme rotary club of baguio pdf copy - Apr 11 2023

web introduction induction programme rotary club of baguio pdf copy the criteria for those who reach the top toshio egawa 2017 the world is no doubt full of self improvement books

rotary club of baguio rotary club philippines - Dec 07 2022

web rotary club of baguio rotary club philippines the rotary club of baguio belongs to the rotary international district 3790 the club was chartered on 21 february 1938 becoming the 4 587th member of rotary international the oldest club organized north of manila and the 6th chartered rotary club in all the philippines website

download free induction programme rotary club of baguio - Mar 10 2023

web induction programme rotary club of baguio this is likewise one of the factors by obtaining the soft documents of this induction programme rotary club of baguio by online you might not require more become old to spend to go to the book launch as competently as search for them in some cases you likewise reach not discover the

inductionprogrammerotaryclubofbaguio 2022 - Mar 30 2022

web established in 1911 the rotarian is the official magazine of rotary international and is circulated worldwide each issue contains feature articles columns and departments about or of interest to rotarians seventeen nobel prize winners and 19 pulitzer prize winners from mahatma ghandi to kurt vonnegut jr have written for the

[induction programme rotary club of baguio pdf uniport edu](#) - Jul 02 2022

web jul 27 2023 induction programme rotary club of baguio 2 6 downloaded from uniport edu ng on july 27 2023 by guest academy awards narrative of solomon northup a citizen of new york kidnapped in washington city in 1841 and rescued in 1853 twelve years a slave by solomon northup is a memoir of a black man who

induction programme rotary club of baguio pdf uniport edu - Jun 13 2023

web jul 30 2023 induction programme rotary club of baguio 2 6 downloaded from uniport edu ng on july 30 2023 by guest a range of topics including the role of research into early childhood nutrition and the formulation of infant feeding policies the control of iodine and vitamin a deficiencies folic acid fortification of wheat flour breast feeding

rotary club profile istanbul my rotary rotary international - Apr 30 2022

web turkey founded in 1957 meeting address istanbul rotary weekly meeting taksim istanbul 34381 turkey meeting time tues 12 30 pm official language english district 2420 website istanbulrotary org club sponsored organizations istanbul robert kolej interact club active fmv ayazaga isik lisesii interact club active

induction programme rotary club of baguio pdf - May 12 2023

web induction programme rotary club of baguio downloaded from banking finance gov ie by guest miguel cherry the rotarian author house building a virile nation the private sector perspective presents a blueprint for every nation burdened by debilitating economic conditions and underdevelopment it charts a course for

induction programme rotary club of baguio pdf uniport edu - Feb 26 2022

web jul 19 2023 induction programme rotary club of baguio 1 9 downloaded from uniport edu ng on july 19 2023 by guest induction programme rotary club of baguio recognizing the exaggeration ways to get this ebook induction programme rotary club of baguio is additionally useful you have remained in right site to begin getting this info

induction programme rotary club of baguio richard devetak - Sep 04 2022

web books once this one merely said the induction programme rotary club of baguio is universally compatible later any devices to read command decisions united states department of the army office of military history 1960 who swho in the world marquis who s who 1982 the rotarian 1950 08 established in 1911 the rotarian is the official

induction programme rotary club of baguio download only - Oct 05 2022

web induction programme rotary club of baguio 1 induction programme rotary club of baguio the rotarian the rotarian 1962

proceedings fifty third annual convention of rotary international the rotarian the rotarian the rotarian proceedings thirty second annual convention of rotary international the rotarian teacher mentoring and induction

rotary club of baguio - Aug 15 2023

web the rotary club of baguio rcb was chartered on 21 february 1938 the 4 587th member of rotary international and the oldest rotary club organized north of manila the 6th chartered rotary club in the entire philippines we have the honor of being the mother club of rotary international district 3790 read more

induction programme rotary club of baguio - Jun 01 2022

web induction programme rotary club of baguio is available in our digital library an online access to it is set as public so you can get it instantly our digital library saves in multiple locations allowing you to get the most less latency time to

induction programme rotary club of baguio pdf blueskywildlife - Dec 27 2021

web aug 3 2023 merely said the induction programme rotary club of baguio pdf is universally compatible with any devices to read administrative aide national learning corporation 2020 the administrative aide passbook r prepares you for your test by allowing you to take practice exams in the subjects you need to study

rotary club of biak na bato induction souvenir program 2013 2014 - Aug 03 2022

web description rotary club of biak na bato induction souvenir program 2013 2014 copyright all rights reserved available formats download as pdf txt or read online from scribd flag for inappropriate content download now of 10 congratulations and mabuhay fcp jolan jhoolz salino and his first class team greetings from

physics insights ol theory 2023 cyberlab sutd edu sg - Oct 08 2023

web physics insights ol theory towards a philosophy of real mathematics aug 13 2021 in this ambitious study david corfield attacks the widely held view that it is the nature of mathematical knowledge which has shaped the way in which mathematics is treated

physics insights ol theory legacy theoc org - Jun 04 2023

web physics insights ol theory downloaded from legacy theoc org by guest deon gallegos physics insights physics insights ol theory workbook we are often

e fîzîk ve optîk kapadokya - Dec 30 2022

web İbnü l heysem ö 432 1041 kemaluddin el farisî ö 718 1318 takıyyuddin b maruf ö 992 1585 gibi İslam optikçilerinin başarılı çalışmaları ve optik deney konusundaki

insight learning vce u4 psych ppt slideshare - Dec 18 2021

web aug 10 2012 4 stages of insight learning can t solve the problem 1 initially preparation data gathering problem put on hold 2 problem work on incubation unconsciously 3

physics insights of theory uniport edu ng - Jan 19 2022

web jul 25 2023 physics insights of theory 1 8 downloaded from uniport edu ng on july 25 2023 by guest physics insights of theory right here we have countless books

physics insights of theory uniport edu ng - May 23 2022

web jul 17 2023 physics insights of theory 2 10 downloaded from uniport edu ng on july 17 2023 by guest students in mathematics mathematical physics physics and

physics insights of theory graph safehousetech com - Nov 28 2022

web theory arose from classic experiments in physics and chemistry and presents the quantum mechanical foundations of modern techniques including molecular

physics insights of theory secure4 khronos - Feb 17 2022

web jun 15 2023 physics insights of theory thats something that will lead you to grasp even more in the zone of the globe experience specific areas former times diversion

physics insights of theory zuzutop com - Oct 28 2022

web merely said the physics insights of theory is universally compatible with any devices to read physics insights of pwb 2e 2007 physics insights theory workbook pearson

physics insights of theory uniport edu ng - Mar 21 2022

web apr 24 2023 as this physics insights of theory it ends occurring visceral one of the favored book physics insights of theory collections that we have this is why you

ışık teorisi light theory onur karaoglu - Nov 16 2021

web as our lives are shaped by obligatory journeys light theory imagines the potential meanings of the marks left on our shared futures which we assume will fade away in

physics insights pdf epub download renosf org - Sep 07 2023

web read online anytime anywhere directly from your device click on the download button below to get a free pdf file of physics insights book this book definitely worth reading

optik ışık gölge İle İlgili dgs lys Çıkmış sorular - Jun 23 2022

web merhaba sevgili Öss ygs lys kpss aÖl sbs adayları sizlere fizik dersinde gördüğümüz optik ışık ve gölge konusu ile ilgili şimdiye kadar ygs ve lys de çıkmış

physics insights of theory uniport edu ng - Aug 26 2022

web jul 13 2023 physics insights of theory 2 8 downloaded from uniport edu ng on july 13 2023 by guest this can be done angular momentum in quantum physics l c

physics insights ol theory help environment harvard edu - Jan 31 2023

web algebra the author has twice won awards from the american institute of physics physics insights ol tb 2e 2007 schaum s outline of theory and problems of physics for

physics insights ol theory help environment harvard edu - Mar 01 2023

web physics insights ol theory as recognized adventure as without difficulty as experience virtually lesson amusement as competently as harmony can be gotten by just checking

physics insights ol theory oldcove com - Apr 02 2023

web title physics insights ol theory 2023 oldcove com subject physics insights ol theory 2023 created date 20210321013938am

physics insights ol theory uniport edu ng - Jul 25 2022

web aug 31 2023 physics insights ol theory 2 12 downloaded from uniport edu ng on august 31 2023 by guest insights into old mathematical structures or may even disclose

physics insights ol theory uniport edu ng - Apr 21 2022

web jul 31 2023 physics insights ol theory 2 12 downloaded from uniport edu ng on july 31 2023 by guest the mathematical foundations of gauge theories kishore b marathe

physics insights ol tb 2e google books - Aug 06 2023

web physics insights ol tb 2e google books

physics insights ol theory 2015eeglobalsip - May 03 2023

web apr 8 2023 introduction to representation theory dec 04 2022 very roughly speaking representation theory studies symmetry in linear spaces it is a beautiful mathematical

physics insights ol theory uniport edu ng - Sep 26 2022

web may 4 2023 physics insights ol theory 1 9 downloaded from uniport edu ng on may 4 2023 by guest physics insights ol theory when somebody should go to the ebook

physics insights ol theory workbook loo loo google books - Jul 05 2023

web physics insights ol theory workbook loo loo pearson education south asia oct 29 2007 physics 184 pages 0 reviews reviews aren t verified but google checks for

encyclopédie capricieuse du tout et du rien broché fnac - Oct 23 2022

web encyclopédie capricieuse du tout et du rien par charles dantzig aux éditions le livre de poche voici par l auteur du dictionnaire égoïste de la littérature française un tour du

encyclopa c die capricieuse du tout et du rien - Dec 13 2021

web voici par l auteur du dictionnaire égoïste de la littérature française un tour du monde et de la vie en huit cents pages de listes rangées par thèmes les lieux les gens les corps et

[encyclopédie capricieuse du tout et du rien softcover abebooks](#) - Mar 16 2022

web sep 16 2023 c est de cette audace et de cette richesse de pensée que témoigne avec éclat le dictionnaire des philosophes 2000 pages près de 300 auteurs parmi lesquels

encyclopédie capricieuse du tout et du rien documents - Aug 01 2023

web encyclopedie capricieuse du tout et du rien documents dantzig c amazon com tr kitap

[encyclopédie capricieuse du tout et du rien le livre](#) - May 30 2023

web l encyclopédie capricieuse du tout et du rien est un livre uniquement composé de listes regroupées par thèmes de la liste de lieux sublimes à la liste de livres que je

[encyclopédie capricieuse du tout et du rien charles dantzig](#) - Sep 21 2022

web encyclopédie capricieuse du tout et du rien est un livre de charles dantzig résumé avec le dictionnaire égoïste de la littérature française dont on sait le succès en

encyclopa c die capricieuse du tout et du rien pdf - Jan 14 2022

web encyclopa c die capricieuse du tout et du rien histoire et description generale du japon où l on trouvera tout ce qu on a pu apprendre de la nature et des productions du

encyclopédie capricieuse du tout et du rien poche fnac - Nov 23 2022

web jan 7 2009 encyclopédie capricieuse du tout et du rien charles dantzig grasset des milliers de livres avec la livraison chez vous en 1 jour ou en magasin avec 5 de

encyclopédie capricieuse du tout et du rien french edition - May 18 2022

web l encyclopédie capricieuse du tout et du rien de charles dantzig est paru en janvier 2009 chez grasset citations modifier tout le monde dresse des listes

[encyclopédie capricieuse du tout et du rien babelio](#) - Oct 03 2023

web jan 7 2009 3 17 49 critiques analyses et avis 7 voir plus zabeth55 29 octobre 2013 idée originale de l auteur de lister tout ce qui lui passe par

encyclopédie capricieuse du tout et du rien hachette fr - Dec 25 2022

web aug 25 2010 voici une encyclopedie qui regroupe tout et rien à la fois un régal pour ceux qui n ont envie de rien et pour ceux qui veulent connaître tout sur tout a picorer

encyclopédie capricieuse du tout et du rien by charles - Nov 11 2021

encyclopédie capricieuse du tout et du rien by dantzig goodreads - Jun 30 2023

web read 7 reviews from the world s largest community for readers voici par l auteur du dictionnaire égoïste de la littérature française un tour du monde et

encyclopédie capricieuse du tout et du rien hachette fr - Jan 26 2023

web aug 25 2010 voici par l auteur du dictionnaire égoïste de la littérature française un tour du monde et de la vie en huit cents pages de listes rangées par thèmes les lieux les

encyclopédie capricieuse du tout et du rien senscritique - Aug 21 2022

web mar 11 2011 encyclopédie capricieuse du tout et du rien infos critiques 7 citations 26 forum 3 43

encyclopédie capricieuse du tout et du rien de charles dantzig - Mar 28 2023

web charles dantzig encyclopédie capricieuse du tout et du rien poche 25 août 2010 de charles dantzig auteur 3 9 18 évaluations afficher tous les formats et éditions broché

encyclopédie capricieuse du tout et du rien wikipedia - Apr 28 2023

web jan 8 2009 après son dictionnaire égoïste de la littérature française livre de poche couronné de plusieurs prix en 2005 voici une encyclopédie capricieuse du tout et du

encyclopédie capricieuse du tout et du rien abebooks france - Jun 18 2022

web aug 25 2010 encyclopedie capricieuse du tout et du rien french edition dantzig on amazon com free shipping on qualifying offers encyclopedie capricieuse du

encyclopa c die capricieuse du tout et du rien pdf - Feb 12 2022

web jul 9 2023 encyclopa c die capricieuse du tout et du rien 1 7 downloaded from uniport edu ng on july 9 2023 by guest encyclopa c die capricieuse du tout et du

critiques de encyclopédie capricieuse du tout et du rien babelio - Jul 20 2022

web trois ans après le dictionnaire égoïste de la littérature française il revient avec l encyclopédie capricieuse du tout et du rien la sensation de la nouvelle année

encyclopédie capricieuse du tout et du rien dantzig charles - Sep 02 2023

web apr 29 2022 encyclopédie capricieuse du tout et du rien by dantzig charles publication date 2009 topics literature essays publisher paris grasset collection

encyclopédie capricieuse du tout et du rien amazon fr - Feb 24 2023

web jan 7 2009 avec le dictionnaire égoïste de la littérature française dont on sait le succès en librairie charles dantzig parvenait à concilier l érudition et l amusement la distraction

encyclopédie capricieuse du tout et du rien wikiquote le recueil - Apr 16 2022

web encyclopédie capricieuse du tout et du rien von dantzig charles bei abebooks de isbn 10 2246743710 isbn 13
9782246743712 grasset fasquelle 2009 softcover