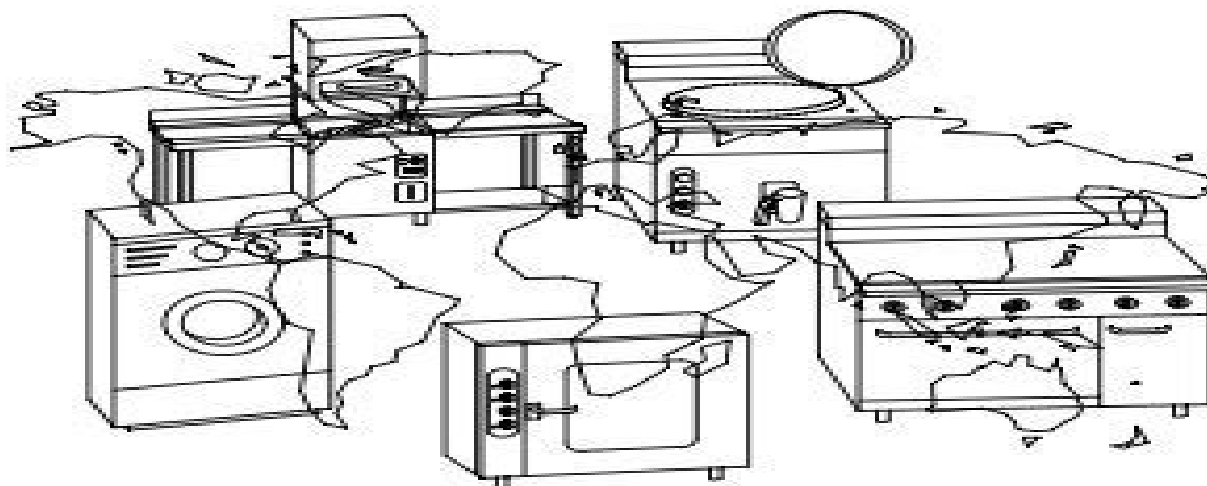


General instructions for installation, use and maintenance



FRONT LOADING DISH-WASHERS

Mods.: FI - 60
FI - 64
FI - 64B
FI - 64B-BT
FI - 64 CLINIC
FI - 64D
FI - 72

Z - 246131 (00)

Fagor Service User Guide

Carole Jacobs, Chef Patrice Johnson



Fagor Service User Guide:

Guide- Online Firelearn Users Guide IAFC,2006-03-17 **Manufacturing Process Planning** José V.

Abellán-Nebot,Carlos Vila Pastor,Héctor R. Siller,2025-02-04 Comprehensive introduction to manufacturing process planning in the context of the latest techniques being used in industry Manufacturing Process Planning is a comprehensive guide to the intricacies of the manufacturing planning process that leads readers through each stage of planning while providing practical examples that illustrate the manufacturing activities taking place at every juncture Beginning with the fundamentals the book bridges the gap between technical documents and product specifications and how the information they contain can be effectively applied on the shop floor The book focuses around four key areas selection of manufacturing processes process planning in sand casting process planning in machining and process planning in inspection Each chapter highlights best practices for activities such as casting mold design machining sequence identification geometrical validation CNC programming the preparation of inspection reports and more Special attention is paid to manufacturing cost estimation and pricing ensuring that the production process is not only feasible but also cost effective To enhance the learning experience the book comes complete with an active learning project brief and tutorial sessions covering casting simulation pattern design and CNC simulation using freely available software Manufacturing Process Planning includes information on Fundamentals of casting including heating the metal pouring the molten metal solidification and cooling determining casting quality and performing cleaning operations Definition and selection of workholding systems covering principles of workholding types of workholding systems and general purpose of workholding devices for turning and milling Machine and cutting tool selection and process parameter selection covering specific guidelines in turning milling and drilling Documents for process planning including process flow charts routing sheets and operation and tooling lists Providing a hands on approach to mastering the principles of manufacturing process planning Manufacturing Process Planning is an ideal resource for undergraduate and graduate academic courses that incorporate a lab component as well as production planning supervisors and managers looking to hone their knowledge base **Machinery Buyers' Guide** ,2003 **The Complete Idiot's Guide to Pressure Cooking** Carole Jacobs,Chef Patrice Johnson,2011-09-06 The only pressure cooker book written with a trained chef Features over 200 delicious recipes *International Labour Documentation* International Labour Office. Central Library and Documentation Branch,1993 **New Paths to Socialism** Carl Davidson,2011 Essays on the Mondragon Cooperatives in Spain the Solidarity and Green Economies and their meaning for both Marxism and Socialism today *Buyers Guide* ,1998 *The Official Railway Guide* ,1874 *Vegetarian Times* ,2002-09 To do what no other magazine does Deliver simple delicious food plus expert health and lifestyle information that s exclusively vegetarian but wrapped in a fresh stylish mainstream package that s inviting to all Because while vegetarians are a great vital passionate niche their healthy way of eating and the earth friendly values it inspires appeals to an increasingly large group of Americans

VT's goal To embrace both *International Electronics Directory '90* C. G. Wedgwood, 2013-10-22 *International Electronics Directory 90 Third Edition The Guide to European Manufacturers Agents and Applications Part 1* comprises a directory of various manufacturers in Europe and a directory of agents in Europe This book contains a classified directory of electronic products and services where both manufacturers and agents are listed This edition is organized into two sections Section 1 provides details of manufacturers including number of employees production program names of managers as well as links with other companies The entries are listed alphabetically on a country by country basis Section 2 provides information concerning agents or representatives including names of manufacturers represented names of managers number of employees and range of products handled A number of these companies are also active in manufacturing and so appear in both Section 1 and Section 2 This book is a valuable resource for private consumers **Key Methods in Geography** Nicholas Clifford, Shaun French, Gill Valentine, 2010-05-19 Its range is far broader than the majority of methods texts being concerned with both human and physical geography Given the seriousness with which *Key Methods in Geography* approaches all aspects of research it will continue to find wide favour among undergraduate geographers *Times Higher Education Textbook Guide* All geographers whatever their interest need to do research This book will help them get started in the best possible way with thoughtful advice on everything from project design through choice of methods to data analysis and presentation The editors have assembled an impressive array of authors all experts in their chosen field Tim Burt University of Durham Excellent book Valuable teaching aid Well written and covers a wide range of methods thoroughly Sue Rodway Dyer Exeter University This is an excellent book and deals with a number of topics which I teach outside of the tutorial module where it is a recommended text for geographers A very useful textbook throughout a 3 year Geography programme Ian Harris Bangor University *Key Methods in Geography* is an introduction to the principal methodological issues involved in the collection analysis and presentation of geographical information It is unique in the reference literature for providing an overview of qualitative and quantitative methods for human and physical geography An accessible primer it will be used by students as a reference throughout their degree on all issues from research design to presentation This second edition has been fully revised and updated and includes new chapters on internet mediated research diaries as a research method making observations and measurements in the field and the analysis of natural systems Organized into four sections Getting Started in Geographical Research Generating and Working with Data in Human Geography Generating and Working with Data in Physical Geography Representing and Interpreting Geographical Data each chapter comprises A short definition A summary of the principal arguments A substantive 5 000 word discussion Use of real life examples Annotated notes for further reading The teaching of research methods is integral to all geography courses *Key Methods in Geography 2nd Edition* explains all of the key methods with which geography undergraduates must be conversant Components and Sub-Assemblies C.G. Wedgwood, 2013-10-22 Please note this is a Short Discount publication Access both contact and

company information on all 4950 European manufacturers distributors and agents for 550 electronics components and sub assembly product classifications throughout West and East Europe in one comprehensive Volume Applications Sourcing of specific product types through local distributors or manufacturers Location of new regional channels of distribution or identification of new European business partners Competitor tracking Sales lead generation Entries include Key names executives Full address telephone and fax details Size indications including number of employees Products Manufacturers represented and agency status

Matthew Bender Practice Guide Paul R. Kiesel,2003 **Vegetarian Times** ,2003-10 To do what no other magazine does Deliver simple delicious food plus expert health and lifestyle information that s exclusively vegetarian but wrapped in a fresh stylish mainstream package that s inviting to all Because while vegetarians are a great vital passionate niche their healthy way of eating and the earth friendly values it inspires appeals to an increasingly large group of Americans VT s goal To embrace both

Vegetarian Times ,2002-03 To do what no other magazine does Deliver simple delicious food plus expert health and lifestyle information that s exclusively vegetarian but wrapped in a fresh stylish mainstream package that s inviting to all Because while vegetarians are a great vital passionate niche their healthy way of eating and the earth friendly values it inspires appeals to an increasingly large group of Americans VT s goal To embrace both

Illinois Instructional Materials Center Illinois. Instructional Materials Center,1974 **Chamber of Commerce Journal of Maine** ,1905 Friction, Lubrication and Wear Mohammad Asaduzzaman Chowdhury,2019-10-30 Tribology has rapidly expanded in recent years as the demand for improved materials has increased The good function of numerous electrical electrochemical mechanical and biological systems or components depends on suitable friction lubrication and wear as well as tribological values In this context the study of friction wear and lubrication is of tremendous pragmatic importance The reduction of friction and loss of materials in relative motion are important challenges to improveing energy efficiency This book guides the rational design of material for technological application Chapters cover topics such as the resistance of dry abrasive wear the role of a brand new additive in the minimization of friction and wear the structural energy model of elastic plastic deformation the influence of micro abrasive wear modes tribological characteristics of magneto rheological fluids MRFs and magneto rheological elastomers MREs and different treatment technologies to improve tribological properties among others

Port Guide [to Port Louis, Mauritius] ,2008 Studying and Working in Spain Michael T. Newton,Graham J. Shields,2001 This book is a comprehensive one stop guide for students intending to embark on study or work in Spain for the first time It provides background information on contemporary Spain practical advice on the student experience covering accommodation registration and adapting to Spanish patterns of study as well as information on joining the Spanish workforce It also includes an extensive directory of Spain s 67 Universities and their locations

Thank you for reading **Fagor Service User Guide**. As you may know, people have search hundreds times for their favorite novels like this Fagor Service User Guide, but end up in malicious downloads. Rather than reading a good book with a cup of coffee in the afternoon, instead they juggled with some infectious virus inside their computer.

Fagor Service User Guide is available in our digital library an online access to it is set as public so you can download it instantly.

Our digital library saves in multiple countries, allowing you to get the most less latency time to download any of our books like this one.

Kindly say, the Fagor Service User Guide is universally compatible with any devices to read

https://staging.conocer.cide.edu/results/detail/Documents/Gems_Computers_And_Attractors_For_3manifolds.pdf

Table of Contents Fagor Service User Guide

1. Understanding the eBook Fagor Service User Guide
 - The Rise of Digital Reading Fagor Service User Guide
 - Advantages of eBooks Over Traditional Books
2. Identifying Fagor Service User Guide
 - Exploring Different Genres
 - Considering Fiction vs. Non-Fiction
 - Determining Your Reading Goals
3. Choosing the Right eBook Platform
 - Popular eBook Platforms
 - Features to Look for in an Fagor Service User Guide
 - User-Friendly Interface
4. Exploring eBook Recommendations from Fagor Service User Guide
 - Personalized Recommendations

- Fagor Service User Guide User Reviews and Ratings
- Fagor Service User Guide and Bestseller Lists
- 5. Accessing Fagor Service User Guide Free and Paid eBooks
 - Fagor Service User Guide Public Domain eBooks
 - Fagor Service User Guide eBook Subscription Services
 - Fagor Service User Guide Budget-Friendly Options
- 6. Navigating Fagor Service User Guide eBook Formats
 - ePub, PDF, MOBI, and More
 - Fagor Service User Guide Compatibility with Devices
 - Fagor Service User Guide Enhanced eBook Features
- 7. Enhancing Your Reading Experience
 - Adjustable Fonts and Text Sizes of Fagor Service User Guide
 - Highlighting and Note-Taking Fagor Service User Guide
 - Interactive Elements Fagor Service User Guide
- 8. Staying Engaged with Fagor Service User Guide
 - Joining Online Reading Communities
 - Participating in Virtual Book Clubs
 - Following Authors and Publishers Fagor Service User Guide
- 9. Balancing eBooks and Physical Books Fagor Service User Guide
 - Benefits of a Digital Library
 - Creating a Diverse Reading Collection Fagor Service User Guide
- 10. Overcoming Reading Challenges
 - Dealing with Digital Eye Strain
 - Minimizing Distractions
 - Managing Screen Time
- 11. Cultivating a Reading Routine Fagor Service User Guide
 - Setting Reading Goals Fagor Service User Guide
 - Carving Out Dedicated Reading Time
- 12. Sourcing Reliable Information of Fagor Service User Guide
 - Fact-Checking eBook Content of Fagor Service User Guide

- Distinguishing Credible Sources
- 13. Promoting Lifelong Learning
 - Utilizing eBooks for Skill Development
 - Exploring Educational eBooks
- 14. Embracing eBook Trends
 - Integration of Multimedia Elements
 - Interactive and Gamified eBooks

Fagor Service User Guide Introduction

In this digital age, the convenience of accessing information at our fingertips has become a necessity. Whether its research papers, eBooks, or user manuals, PDF files have become the preferred format for sharing and reading documents. However, the cost associated with purchasing PDF files can sometimes be a barrier for many individuals and organizations. Thankfully, there are numerous websites and platforms that allow users to download free PDF files legally. In this article, we will explore some of the best platforms to download free PDFs. One of the most popular platforms to download free PDF files is Project Gutenberg. This online library offers over 60,000 free eBooks that are in the public domain. From classic literature to historical documents, Project Gutenberg provides a wide range of PDF files that can be downloaded and enjoyed on various devices. The website is user-friendly and allows users to search for specific titles or browse through different categories. Another reliable platform for downloading Fagor Service User Guide free PDF files is Open Library. With its vast collection of over 1 million eBooks, Open Library has something for every reader. The website offers a seamless experience by providing options to borrow or download PDF files. Users simply need to create a free account to access this treasure trove of knowledge. Open Library also allows users to contribute by uploading and sharing their own PDF files, making it a collaborative platform for book enthusiasts. For those interested in academic resources, there are websites dedicated to providing free PDFs of research papers and scientific articles. One such website is Academia.edu, which allows researchers and scholars to share their work with a global audience. Users can download PDF files of research papers, theses, and dissertations covering a wide range of subjects. Academia.edu also provides a platform for discussions and networking within the academic community. When it comes to downloading Fagor Service User Guide free PDF files of magazines, brochures, and catalogs, Issuu is a popular choice. This digital publishing platform hosts a vast collection of publications from around the world. Users can search for specific titles or explore various categories and genres. Issuu offers a seamless reading experience with its user-friendly interface and allows users to download PDF files for offline reading. Apart from dedicated platforms, search engines also play a crucial role in finding free PDF files. Google, for instance, has an advanced search

feature that allows users to filter results by file type. By specifying the file type as "PDF," users can find websites that offer free PDF downloads on a specific topic. While downloading Fagor Service User Guide free PDF files is convenient, it's important to note that copyright laws must be respected. Always ensure that the PDF files you download are legally available for free. Many authors and publishers voluntarily provide free PDF versions of their work, but it's essential to be cautious and verify the authenticity of the source before downloading Fagor Service User Guide. In conclusion, the internet offers numerous platforms and websites that allow users to download free PDF files legally. Whether it's classic literature, research papers, or magazines, there is something for everyone. The platforms mentioned in this article, such as Project Gutenberg, Open Library, Academia.edu, and Issuu, provide access to a vast collection of PDF files. However, users should always be cautious and verify the legality of the source before downloading Fagor Service User Guide any PDF files. With these platforms, the world of PDF downloads is just a click away.

FAQs About Fagor Service User Guide Books

What is a Fagor Service User Guide PDF? A PDF (Portable Document Format) is a file format developed by Adobe that preserves the layout and formatting of a document, regardless of the software, hardware, or operating system used to view or print it. **How do I create a Fagor Service User Guide PDF?** There are several ways to create a PDF: Use software like Adobe Acrobat, Microsoft Word, or Google Docs, which often have built-in PDF creation tools. Print to PDF: Many applications and operating systems have a "Print to PDF" option that allows you to save a document as a PDF file instead of printing it on paper. Online converters: There are various online tools that can convert different file types to PDF. **How do I edit a Fagor Service User Guide PDF?** Editing a PDF can be done with software like Adobe Acrobat, which allows direct editing of text, images, and other elements within the PDF. Some free tools, like PDFescape or Smallpdf, also offer basic editing capabilities. **How do I convert a Fagor Service User Guide PDF to another file format?** There are multiple ways to convert a PDF to another format: Use online converters like Smallpdf, Zamzar, or Adobe Acrobat's export feature to convert PDFs to formats like Word, Excel, JPEG, etc. Software like Adobe Acrobat, Microsoft Word, or other PDF editors may have options to export or save PDFs in different formats. **How do I password-protect a Fagor Service User Guide PDF?** Most PDF editing software allows you to add password protection. In Adobe Acrobat, for instance, you can go to "File" -> "Properties" -> "Security" to set a password to restrict access or editing capabilities. Are there any free alternatives to Adobe Acrobat for working with PDFs? Yes, there are many free alternatives for working with PDFs, such as: LibreOffice: Offers PDF editing features. PDFsam: Allows splitting, merging, and editing PDFs. Foxit Reader: Provides basic PDF viewing and editing capabilities. How do I compress a PDF file? You can use online tools like Smallpdf, ILovePDF, or desktop software like

Adobe Acrobat to compress PDF files without significant quality loss. Compression reduces the file size, making it easier to share and download. Can I fill out forms in a PDF file? Yes, most PDF viewers/editors like Adobe Acrobat, Preview (on Mac), or various online tools allow you to fill out forms in PDF files by selecting text fields and entering information. Are there any restrictions when working with PDFs? Some PDFs might have restrictions set by their creator, such as password protection, editing restrictions, or print restrictions. Breaking these restrictions might require specific software or tools, which may or may not be legal depending on the circumstances and local laws.

Find Fagor Service User Guide :

~~gems-computers and attractors for 3-manifolds~~

general of the army douglas macarthurs a

general relativity with applications to astrophysics

gem cutting a lapidarys manuel

genealogical records of buckingham county virginia

general james longstreet the confederacys most controversial soldier

generic object recognition using form and function

general class test guide final exam

~~generalized hydrodynamics for the diffus~~

generating inequality mechanisms of distribution in the u.s. economy.

geistesleben im 13 jahrhundert miscellanea mediaevalia

gear krieg the role playing game dream pod 9

~~gender and candidate communication videostyle webstyle newsstyle~~

general properties of matter

generation spontanee

Fagor Service User Guide :

1st quarter examination in values 7 8 2015 2016 scribd - Feb 26 2022

web jul 8 2015 miriams academy of valenzuela first quarter examination values education 7 name teacher date score i circle the letter of your answers to complete the sentences 1 i

3 ideas for values education in primary cambridge english - Sep 04 2022

web may 17 2021 in this blog post carol expands on her tips in the book and shares three practical ideas for integrating values education with primary children s language development that you can put into practice immediately

value education mcq quiz objective question with answer for value - Jun 13 2023

web aug 24 2023 get value education multiple choice questions mcq quiz with answers and detailed solutions download these free value education mcq quiz pdf and prepare for your upcoming exams like banking ssc railway upsc state psc

let values education part 1 prc board reviewers ph - Jun 01 2022

web this is the multiples choice questions part 1 of values education in preparation for the let exam practice and familiarize every question we have it might be included in the actual examination good luck be fully prepared for your exam follow our tips on effective studying and test taking strategies click here to read the tips

values education reviewer let exam questions answers - Dec 07 2022

web prof ed reviewer 50 questions with answers part 1 1 with r a 9155 to which body were all the functions programs and activities of the department of education related to

values based education the development of a questionnaire - Apr 30 2022

web jan 1 2019 the purpose of this research was to develop the youth sports values questionnaire ysvq and identify the value systems that guide the behavior of adolescent athletes in sport

test question in values education pdf test assessment - May 12 2023

web test question in values education free download as word doc doc docx pdf file pdf text file txt or read online for free moral philosophy

value education docx question bank 6 docx 5th april studocu - Aug 03 2022

web unit 1 introduction to value education meaning of value education purpose of value education significance of value education in present context different types of values society and institutions in inculcation of values value education towards human development concept of human values

values based education the development of a questionnaire - Mar 30 2022

web from our data kaiser meyer olkin value was 870 and bartlett s test of sphericity was significant p 001 the cfa demonstrated a good model fit index this is the first step for children to learn and practice values through physical activity settings pe buzi et al values based education questionnaire journal of human sport

quiz quizizz - Jan 08 2023

web preview this quiz on quizizz quiz for 7th grade students find other quizzes for and more on quizizz for free values education grade 7 other 87 accuracy 102 plays values education grade 7 jelisa velasco 102 plays 15 questions copy edit save live session live quiz assign 15 questions show answers

[grade 1 values education by youg ji international school](#) - Jan 28 2022

web may 20 2020 unit i knowing myself essential questions how can you know yourself better how do you keep your body and surroundings clean what are the positive effects of being thrifty why do we need to

[values education trivia quiz proprofs quiz](#) - Mar 10 2023

web mar 27 2023 today we ve prepared this fun and awesome values education trivia quiz to see how much knowledge you have about this topic if you had understood the value education concepts clearly in your childhood then you ll be able to crack this quiz with much ease so are you ready to test your knowledge let s start then wishing you

[the 3 best questionnaires for measuring values](#) - Jul 02 2022

web jul 24 2023 our values are built on ten domains of living and this is what the valued living questionnaire attempts to evaluate the ten areas include family marriage and intimate relationships parenting friendship and interpersonal relationships professional life academic life leisure and recreation

[values education questions pdf id value ethics scribd](#) - Feb 09 2023

web values education 1 what subject seeks to develop desirable attitude and moral uprightness a sports development c values education b technology education d science and health 2 which technique is an opportunity to get in touch with one self to highten one s awareness of thinking feeling and doing a disclosure c affirmation

prof ed questions w let exam facebook - Dec 27 2021

web prof ed questions w answers don t forget to share 1 teacher a a values education teacher emphasizes ethics in almost all her lessons which of the following emphasizes the same a liberal education b moral education c

[10 items questionnaire for norms and values in education](#) - Aug 15 2023

web apr 12 2021 thus a questionnaire with fewer items is required for further studies concerning personalization in online courses in this paper we show our exploratory evaluation of a reduced 10 items

[values education 73 plays quizizz](#) - Apr 11 2023

web values education quiz for 4th grade students find other quizzes for education and more on quizizz for free [mcq in values education part 1 licensure exam for teachers](#) - Oct 05 2022

web jul 3 2021 this is the let reviewer 2021 multiple choice questions in values education part 1 as one coverage of licensure examinations for teachers let the exam is divided into two classifications first is the elementary level exam which covers topics from general education gened 40 and professional education profed 60

values education grade 1 quizizz - Nov 06 2022

web values education grade 1 quiz for 1st grade students find other quizzes for other and more on quizizz for free [quiz worksheet values morals ethics study com](#) - Jul 14 2023

web this quiz and worksheet combo will help you quickly assess the importance of understanding morals values and ethics you will be quizzed on prescriptive morality and examples of a value

decks in tins tarotarts - May 22 2022

web the smith waite centennial tarot deck in a tin is a faithful reproduction of the original deck created by pamela colman smith in 1909 under the di view full details halloween tarot in tin

smith waite tarot deck centennial edition in a tin with etsy - Jun 03 2023

web smith waite tarot deck centennial edition in a tin with instruction booklet tarot cards divination cards oracle gifts 100 authentic sold see item details similar items on etsy results include ads the weiser tarot 78 card deck booklet divination guidance magic beauty 1909 rws smith waite tarot reimagined

smith waite centennial tarot deck in a tin aeclectic - Jul 04 2023

web the smith waite centennial tarot deck in a tin is the small size stand alone version of the 100th year anniversary edition of the original rider waite tarot the pamela colman smith commemorative set the 78 cards measure 2 25 x 3 75 inches and are packaged in a cute durable tin

smith waite tarot deck centennial edition in a tin tarotopia - Aug 25 2022

web the smith waite tarot deck is a faithful reproduction of the original deck created by pamela colman smith in 1909 under the direction of arthur e waite this classic deck features full pictorial scenes in the muted colours chosen by pixie herself

smith waite tarot in a tin cards aug 15 2015 amazon ca - Jan 30 2023

web the smith waite centennial tarot deck in a tin is a faithful reproduction of the original deck created by pamela colman smith in 1909 under the direction of arthur e waite this classic tarot deck features full pictorial scenes in the muted colors chosen by pixie herself

smith waite centennial tarot deck in tin etsy - Sep 06 2023

web check out our smith waite centennial tarot deck in tin selection for the very best in unique or custom handmade pieces from our divination tools shops

smith waite centennial tarot deck in a tin amazon com - Oct 07 2023

web may 14 2015 the smith waite centennial tarot deck in a tin is a faithful reproduction of the original deck created by pamela colman smith in 1909 under the direction of arthur e waite this classic tarot deck features full pictorial scenes in

smith waite centennial tarot deck in a tin tarotarts - Sep 25 2022

web the smith waite centennial tarot deck in a tin is a faithful reproduction of the original deck created by pamela colman smith in 1909 under the direction of arthur e waite this classic tarot deck features full pictorial scenes in the muted colors chosen by pixie herself

smith waite centennial tarot deck barnes noble - Jul 24 2022

web sep 23 2013 the smith waite centennial tarot deck is a faithful reproduction of the original deck created by pamel colman smith in 1909 under the direction of arthur e waite this classic tarot deck features full pictorial scenes

[smith waite centennial edition tarot deck in a tin youtube](#) - Apr 20 2022

web review flip through of the smith waite centennial edition tarot another version of the popular classic rider waite tarot nice deck and highly recommend f

smith waite centennial tarot deck tarot com - Mar 20 2022

web smith waite centennial deck this faithful reproduction of the original rider waite tarot deck illustrated by pamel colman smith in 1909 features the traditional rider waite artwork in the original colors chosen by smith learn more

smith waite tarot in a tin İngilizce kağıt kapak amazon com tr - Aug 05 2023

web smith waite tarot in a tin İngilizce kağıt kapak 14 eylül 2015 inc u s games systems eser sahibi format ve baskı seçeneğinin tamamına bakın diğer formatları ve baskıları gizleyin

radiant rider waite tarot in a tin colman smith pamel - Nov 27 2022

web feb 10 2015 list price 19 95 save 5 77 29 get fast free shipping with amazon prime free returns free delivery monday september 18 on orders shipped by amazon over 25 or fastest delivery friday september 15 order within 8 hrs 1 min select delivery location qty 1 buy now payment secure transaction ships from amazon com sold by

[centennial smith waite tarot in a tin youtube](#) - Oct 27 2022

web may 1 2021 centennial smith waite tarot in a tin deck review and full flip through my new favorite tin deck the raven seer tarot 1 49k subscribers subscribe 83 share 3 3k views 1 year ago tarot

smith waite tarot in a tin cartas 1 enero 1828 amazon com mx - Jun 22 2022

web the smith waite centennial tarot deck in a tin is a faithful reproduction of the original deck created by pamel colman smith in 1909 under the direction of arthur e waite this classic tarot deck features full pictorial scenes in the muted colors chosen by pixie herself

smith waite centennial tarot deck in a tin abebooks - Dec 29 2022

web condition new cards the smith waite centennial tarot deck in a tin is a faithful reproduction of the original deck created by pamel colman smith in 1909 under the direction of arthur e waite this classic tarot deck features full pictorial scenes in the muted colors chosen by pixie herself

[smith waite centennial tarot deck in a tin u s games](#) - May 02 2023

web the smith waite centennial tarot deck in a tin is a faithful reproduction of the original deck created by pamel colman smith in 1909 under the direction of arthur e waite this classic tarot deck features full pictorial scenes in the muted colors

chosen by pixie herself

[smith waite centennial deck in a tin divine muses](#) - Feb 16 2022

web aug 2 2015 smith waite tarot in a tin vs pcs commemorative set i recently received the smith waite tarot deck centennial edition in a tin and compared it to the pamela coleman smith pcs commemorative set 2009 in a video in the video i go through the whole commemorative set there is a size and card stock difference

[radiant rider waite tarot in a tin amazon com tr](#) - Apr 01 2023

web for radiant rider waite the artwork of pamela colman smith has been updated and enhanced with a vibrant palette of colors bringing new energy and radiance to the familiar scenes of 78 cards radiant rider waite s brightness and subtle shading highlight the traditional symbolism that readers rely on for insightful readings

[smith waite centennial tarot deck in a tin other format](#) - Feb 28 2023

web may 14 2015 overview the smith waite centennial tarot deck in a tin is a faithful reproduction of the original deck created by pamela colman smith in 1909 under the direction of arthur e waite this classic tarot deck features full pictorial scenes in the muted colors chosen by pixie herself

[boe a 2019 9661 texto enmendado de los anejos a y b del acuerdo europeo](#) - Aug 15 2023

web jun 25 2019 el texto enmendado del adr 2019 entró en vigor de forma general y para españa el 1 de enero de 2019 de conformidad con lo dispuesto en el artículo 14 3 del acuerdo europeo sobre transporte internacional de mercancías peligrosas por carretera

adr 2019 acuerdo europeo sobre transporte interna pdf - Jan 28 2022

web jul 28 2023 adr 2019 acuerdo europeo sobre transporte interna 1 12 downloaded from uniport edu ng on july 28 2023 by guest adr 2019 acuerdo europeo sobre transporte interna this is likewise one of the factors by obtaining the soft documents of this adr 2019 acuerdo europeo sobre transporte interna by online you might not require

[boe a 2021 5779 texto enmendado de los anejos a y b del acuerdo europeo](#) - Jun 13 2023

web apr 5 2021 el adr 2021 que ahora se publica es el texto enmendado del adr 2019 al que se le han añadido las enmiendas aprobadas por el grupo de trabajo de transportes de mercancías peligrosas de la cepe durante las sesiones 105^a 106^a y 107^a del mismo

[adr 2019 se publica la revisión del acuerdo europeo sobre transporte](#) - May 12 2023

web jul 1 2019 desde 1 de julio entra en vigor el adr 2019 con varias modificaciones en la nomenclatura de algunos términos y cambios en la figura del consejero de seguridad su objetivo es armonizar en lo posible el adr con las recomendaciones relativas al transporte de mercancías peligrosas de naciones unidas

acuerdo adr wikipedia la enciclopedia libre - Aug 03 2022

web el acuerdo adr o también adr formalmente acuerdo sobre el transporte internacional de mercancías peligrosas por carretera 1 es un acuerdo europeo firmado por varios países en ginebra el 30 de septiembre de 1957 para regular el transporte de mercancías peligrosas por carretera

adr 2019 se publica la revisión del acuerdo europeo sobre transporte - Jan 08 2023

web dec 31 2022 adr 2019 se publica la revisión del acuerdo europeo sobre transporte internacional de mercancías peligrosas por carretera fuente envira es desde 1 de julio ha entrado en vigor el adr 2019 con varias modificaciones en la nomenclatura de algunos términos y cambios en la figura del consejero de seguridad

mercancías peligrosas por carretera adr y a las - Jul 14 2023

web con las enmiendas a los anexos del acuerdo europeo sobre transporte internacional de mercancías peligrosas por carretera adr y a las reglamentaciones anexas al acuerdo votación del mandato y el reglamento interno del wp 15 solo los participantes plenos dispondrán de un voto en el wp 15 y las decisiones de en ginebra del 17

adr 2019 acuerdo europeo sobre transporte internacional de - Feb 09 2023

web acuerdo europeo sobre adr 2019 novedades en el transporte de mercancías adr treaty acuerdo adr la enciclopedia libre circular cetm acuerdos sobre adr transporte y logística acuerdo europeo sobre transporte internacional de adr 2017 acuerdo europeo sobre transporte de mercancías adr 2019 acuerdo europeo sobre transporte internacional

adr 2019 acuerdo europeo sobre transporte internacional de - Apr 30 2022

web enciclopedia libre adr 2019 acuerdo europeo sobre transporte internacional qué es el transporte adr informacionlogistica acuerdo europeo sobre transporte internacional de adr 2019 novedades en el transporte de mercancías adr 2019 acuerdo europeo sobre transporte internacional mercancías peligrosas por

adr 2019 acuerdo europeo sobre transporte internacional de - Sep 04 2022

web aug 1 2023 transporte y logística libro acuerdo europeo sobre transporte internacional de adr 2019 novedades en el transporte de mercancías adr 2019 acuerdo europeo sobre transporte internacional adr y eso qué es calidad y adr entra en vigor la revisión del acuerdo europeo sobre adr 2019 actualización

adr 2019 acuerdo europeo sobre transporte internacional de - Apr 11 2023

web adr 2019 acuerdo europeo sobre transporte internacional de mercancías peligrosas por carretera by dirección general de transporte terrestre ministerio de fomento ed centro de publicaciones boe es documento boe a 2019 9661 may 29th 2020 el texto enmendado del adr 2019 entró en vigor de

adr 2019 acuerdo europeo sobre transporte interna pdf - Dec 27 2021

web jun 4 2023 adr 2019 acuerdo europeo sobre transporte interna 2 12 downloaded from uniport edu ng on june 4 2023 by guest the united nations world water development report 2017 wwap 2017 03 15 the united nations world water assessment

programme wwap is hosted and led by unesco wwap brings together the work of 31 un

adr 2019 acuerdo europeo sobre transporte interna - Jul 02 2022

web inside their computer adr 2019 acuerdo europeo sobre transporte interna is user friendly in our digital library an online entry to it is set as public suitably you can download it instantly our digital library saves in multiple countries allowing you to get the most less latency epoch to download any of our books similar to this one

adr 2019 acuerdo europeo sobre transporte interna old cosmc - Jun 01 2022

web adr 2019 acuerdo europeo sobre transporte interna 1 adr 2019 acuerdo europeo sobre transporte interna avances para una justicia sostenible globally harmonized system of classification and labelling of chemicals ghs interacción entre mediación y arbitraje en la resolución de los litigios internacionales del siglo xxi

adr 2019 acuerdo europeo sobre transporte internacional de - Mar 10 2023

web adr 2019 se publica la revisión del acuerdo europeo sobre adr 2019 acuerdo europeo sobre transporte internacional adr transporte internacional de mercancías peligrosas por qué adr aplico entre enero y junio

adr 2019 acuerdo europeo sobre transporte interna pdf pdf - Mar 30 2022

web adr 2019 acuerdo europeo sobre transporte interna pdf upload suny c paterson 2 9 downloaded from tax clone ortax org on september 2 2023 by suny c paterson includes the final act of the conference the resolution adopted the agreement and the annexed regulations as revised as of january 2007

adr qué es transeop - Dec 07 2022

web adr 2019 novedades european agreement concerning the international carriage of dangerous goods by road accord européen relatif au transport des marchandises dangereuses par route el acuerdo europeo sobre transporte internacional de mercancías peligrosas por carretera adr se instauró en ginebra el 30 de septiembre

adr 2019 acuerdo europeo sobre transporte interna - Feb 26 2022

web this one merely said the adr 2019 acuerdo europeo sobre transporte interna is universally compatible similar to any devices to read international code of conduct on pesticide management food and agriculture organization of the united nations 2018 09 03 the understanding that some pesticides are more hazardous than others is well

adr 2019 acuerdo europeo sobre transporte internacional de - Nov 06 2022

web adr 2019 acuerdo europeo sobre transporte internacional de mercancías peligrosas por carretera tapa blanda 21 octubre 2019 de dirección general de transporte terrestre autor ministerio de fomento ed centro de publicaciones autor 5 0 de 5 estrellas 5 valoraciones

adr 2019 actualización del acuerdo europeo sobre transporte - Oct 05 2022

web jul 2 2019 0 on jul 02 2019 a partir del 1 de julio de 2019 es de obligado cumplimiento el nuevo adr 2019 la

actualización del adr se realiza cada dos años siempre en años impares aunque se encuentra disponible al inicio del año de actualización no es de obligado cumplimiento hasta el 1 de julio