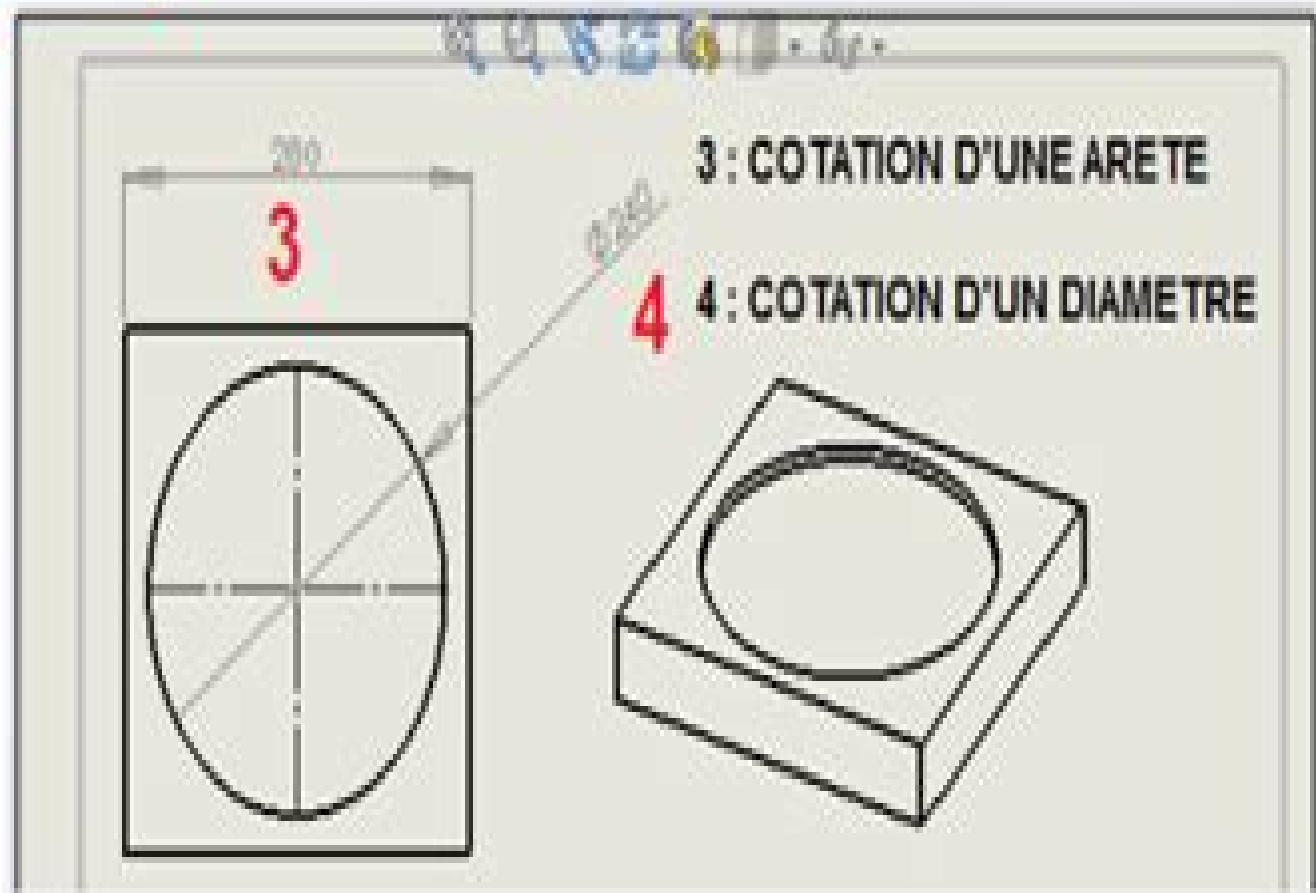


1



Guide Utilisation Solidworks

Alejandro Reyes



Guide Utilisation Solidworks :

Beginner's Guide to SOLIDWORKS 2024 - Level I Alejandro Reyes, 2024-02 Designed to teach new users the basic concepts of SOLIDWORKS and good solid modeling techniques Uses a task oriented approach to learning SOLIDWORKS Focuses on the processes to complete the modeling of a part instead of individual commands Includes access to extensive video instruction Covers commands found on the CSWA exam and includes a practice test This book is intended to help new users learn the basic concepts of SOLIDWORKS and good solid modeling techniques in an easy to follow guide that includes video instruction It is a great starting point for those new to SOLIDWORKS or as a teaching aid in classroom training to become familiar with the software s interface basic commands and strategies as users complete a series of models while learning different ways to accomplish a particular task At the end of this book you will have a fairly good understanding of the SOLIDWORKS interface and the most commonly used commands for part modeling assembly and detailing after completing a series of components and their 2D drawings complete with Bill of Materials The book focuses on the processes to complete the modeling of a part instead of focusing on individual software commands or operations which are generally simple enough to learn Throughout this book the author introduces you to new commands that are required to pass the Certified SOLIDWORKS Associate exam as listed on the SOLIDWORKS website A dedicated chapter provides you with details about the exam as well as a practice test to help you prepare for the actual exam SOLIDWORKS is an easy to use CAD software that includes many time saving tools that will enable new and experienced users to complete design tasks faster than before Most commands covered in this book have advanced options which may not be covered in this book This is meant to be a starting point to help new users to learn the basic and most frequently used commands Includes Video Instruction Each copy of this book includes access to video instruction In these videos the author provides a clear presentation of tutorials found in the book The videos reinforce the steps described in the book by allowing you to watch the exact steps the author uses to complete the exercises while he provides additional details along the way Captioned versions of these videos are also available for customers who want or need video captions

Beginner's Guide to SOLIDWORKS 2025 - Level I Alejandro Reyes, Designed to teach new users the basic concepts of SOLIDWORKS and good solid modeling techniques Uses a task oriented approach to learning SOLIDWORKS Focuses on the processes to complete the modeling of a part instead of individual commands Includes access to extensive video instruction Covers commands found on the CSWA exam and includes a practice test This book is intended to help new users learn the basic concepts of SOLIDWORKS and good solid modeling techniques in an easy to follow guide that includes video instruction It is a great starting point for those new to SOLIDWORKS or as a teaching aid in classroom training to become familiar with the software s interface basic commands and strategies as users complete a series of models while learning different ways to accomplish a particular task At the end of this book you will have a fairly good understanding of the SOLIDWORKS interface and the most commonly used commands

for part modeling assembly and detailing after completing a series of components and their 2D drawings complete with Bill of Materials The book focuses on the processes to complete the modeling of a part instead of focusing on individual software commands or operations which are generally simple enough to learn Throughout this book the author introduces you to new commands that are required to pass the Certified SOLIDWORKS Associate exam as listed on the SOLIDWORKS website A dedicated chapter provides you with details about the exam as well as a practice test to help you prepare for the actual exam SOLIDWORKS is an easy to use CAD software that includes many time saving tools that will enable new and experienced users to complete design tasks faster than before Most commands covered in this book have advanced options which may not be covered in this book This is meant to be a starting point to help new users to learn the basic and most frequently used commands Includes Video Instruction Each copy of this book includes access to video instruction In these videos the author provides a clear presentation of tutorials found in the book The videos reinforce the steps described in the book by allowing you to watch the exact steps the author uses to complete the exercises while he provides additional details along the way Captioned versions of these videos are also available for customers who want or need video captions

Beginner's Guide to SOLIDWORKS 2022 - Level I Alejandro Reyes,2022 This book is intended to help new users learn the basic concepts of SOLIDWORKS and good solid modeling techniques in an easy to follow guide that includes video instruction It is a great starting point for those new to SOLIDWORKS or as a teaching aid in classroom training to become familiar with the software s interface basic commands and strategies as users complete a series of models while learning different ways to accomplish a particular task At the end of this book you will have a fairly good understanding of the SOLIDWORKS interface and the most commonly used commands for part modeling assembly and detailing after completing a series of components and their 2D drawings complete with Bill of Materials The book focuses on the processes to complete the modeling of a part instead of focusing on individual software commands or operations which are generally simple enough to learn Throughout this book the author introduces you to new commands that are required to pass the Certified SOLIDWORKS Associate exam as listed on the SOLIDWORKS website A dedicated chapter provides you with details about the exam as well as a practice test to help you prepare for the actual exam SOLIDWORKS is an easy to use CAD software that includes many time saving tools that will enable new and experienced users to complete design tasks faster than before Most commands covered in this book have advanced options which may not be covered in this book This is meant to be a starting point to help new users to learn the basic and most frequently used commands Includes Video Instruction Each copy of this book includes access to video instruction In these videos the author provides a clear presentation of tutorials found in the book The videos reinforce the steps described in the book by allowing you to watch the exact steps the author uses to complete the exercises while he provides additional details along the way Captioned versions of these videos are also available for customers who want or need video captions

SOLIDWORKS 2020 Reference Guide David Planchard,2019-12 A comprehensive reference book for

SOLIDWORKS 2020 Contains 260 plus standalone tutorials Starts with a basic overview of SOLIDWORKS 2020 and its new features Tutorials are written for each topic with new and intermediate users in mind Includes access to each tutorial s initial and final state Contains a chapter introducing you to 3D printing The SOLIDWORKS 2020 Reference Guide is a comprehensive reference book written to assist the beginner to intermediate user of SOLIDWORKS 2020 SOLIDWORKS is an immense software package and no one book can cover all topics for all users This book provides a centralized reference location to address many of the tools features and techniques of SOLIDWORKS 2020 This book covers the following System and Document properties FeatureManagers PropertyManagers ConfigurationManagers RenderManagers 2D and 3D Sketch tools Sketch entities 3D Feature tools Motion Study Sheet Metal Motion Study SOLIDWORKS Simulation PhotoView 360 Pack and Go 3D PDFs Intelligent Modeling techniques 3D printing terminology and more Chapter 1 provides a basic overview of the concepts and terminology used throughout this book using SOLIDWORKS 2020 software If you are completely new to SOLIDWORKS you should read Chapter 1 in detail and complete Lesson 1 Lesson 2 and Lesson 3 in the SOLIDWORKS Tutorials If you are familiar with an earlier release of SOLIDWORKS you still might want to skim Chapter 1 to become acquainted with some of the commands menus and features that you have not used or you can simply jump to any section in any chapter Each chapter provides detailed PropertyManager information on key topics with individual stand alone short tutorials to reinforce and demonstrate the functionality and ease of the SOLIDWORKS tool or feature The book provides access to over 260 models their solutions and additional support materials Learn by doing not just by reading Formulate the skills to create modify and edit sketches and solid features Learn the techniques to reuse features parts and assemblies through symmetry patterns copied components design tables configurations and more The book is designed to complement the Online Tutorials and Online Help contained in SOLIDWORKS 2020 The goal is to illustrate how multiple design situations and systematic steps combine to produce successful designs The author developed the tutorials by combining his own industry experience with the knowledge of engineers department managers professors vendors and manufacturers He is directly involved with SOLIDWORKS every day and his responsibilities go far beyond the creation of just a 3D model

Guide pratique d'entrainement sur SolidWorks (Product Project) Adrien Luzio,2020-06-30 Un guide pratique d'entrainement sur SolidWorks SolidWorks est un logiciel de CAO conception assist par ordinateur d'elopp par Dassault Syst me Ce logiciel s'utilise dans de nombreux domaines de l'ingnierie et du design Pour comprendre comment utiliser le logiciel cet ouvrage donnent des lments de cours en rapport direct avec une partie pratique compos e de 3 tutoriels difficult s diff rentes Pour aider la r alisation de ces tutoriels des liens vers les maquettes 3D r alis es sont disponibles pour aider le lecteur Ce livre s'adresse aux tudients en ingnierie ou en design tous ceux qui veulent monter en comp tences sur SolidWorks ainsi qu'aux designers voulant concevoir les produits des tutoriels Ce livre tr s illustr et comment permet de suivre de A Z la conception d'objets issus du quotidien Le contenu Au sommaire de ce livre Un cours de conception CAO revoyant les

fonctionnalités les plus utilisées de SolidWorks comme les esquisses la création de volumes les opérations applicables sur un volume le surfacique la technique des plans d'alignement des fonctionnalités d'assemblage Un cours en relation avec les tutoriels qui suivent Un tutoriel de conception d'un meuble de télévision d'un niveau d'abutant composé de roulette d'une chape et d'un assemblage de plaques Un tutoriel d'une commode d'un niveau intermédiaire composé d'un assemblage de plaques d'une charnière de pieds Un tutoriel d'un vélo d'un niveau avancé composé d'une roue avant arrière d'une cassette 9 vitesses d'un pédalier d'un boîtier pédalier de roue dentées 9 vitesses d'un cadre la structure d'une partie directionnelle fourche guidon poignées jeu de roulement qui s'adresse ce livre Ce livre s'adresse aux étudiants issus de filières de type ingénierie en conception ou des designers Il peut aussi aider des designers savoir comment concevoir les conceptions issues des tutoriels Les conceptions issues des tutoriels Les conceptions de ces tutoriels sont des objets utilitaires du quotidien Le 1er tutoriel est sur un meuble de télévision d'un niveau d'abutant Ce meuble a été inspiré par un meuble de télévision de la marque Adalac laquelle on ajout des roulette Le 2ème tutoriel est un meuble d'un niveau intermédiaire Il s'agit d'un meuble de type scandinave de la marque Hansel Le 3ème tutoriel est d'un niveau avancé cependant plusieurs pièces peuvent être réalisées par un intermédiaire voir un d'abutant Il s'agit d'un vélo inspiré un vélo de marque Ruthless

SOLIDWORKS 2021: A Power Guide for Beginners and Intermediate Users Sandeep Dogra, SOLIDWORKS 2021 A Power Guide for Beginners and Intermediate Users textbook has been designed for instructor led courses as well as self paced learning It is intended to help engineers and designers interested in learning SOLIDWORKS for creating 3D mechanical design This textbook is a great help for new SOLIDWORKS users and a great teaching aid in classroom training This textbook consists of 14 chapters with a total of 798 pages covering the major environments of SOLIDWORKS such as Sketching environment Part modeling environment Assembly environment and Drawing environment This textbook teaches users to use SOLIDWORKS mechanical design software for creating parametric 3D solid components assemblies and 2D drawings This textbook also includes a chapter on creating multiple configurations of a design This textbook not only focuses on the usage of the tools and commands of SOLIDWORKS but also on the concept of design Every chapter in this textbook contains tutorials that provide users with step by step instructions for creating mechanical designs and drawings with ease Moreover every chapter ends with hands on test drives which allow users to experience the user friendly and technical capabilities of SOLIDWORKS

SOLIDWORKS 2024: A Power Guide for Beginners and Intermediate Users Sandeep Dogra, SOLIDWORKS 2024 A Power Guide for Beginners and Intermediate Users textbook is designed for both instructor led courses and self paced learning It is intended to help engineers and designers interested in learning SOLIDWORKS for creating 3D mechanical designs This is a valuable resource for new SOLIDWORKS users and a great teaching tool for classroom training With 14 chapters and a total of 780 pages the content extensively covers key SOLIDWORKS environments such as Sketching Part Modeling Assembly and Drawing This textbook teaches users to use SOLIDWORKS mechanical design software for creating parametric 3D solid components assemblies and 2D drawings

Additionally a dedicated chapter is included to guide users in creating multiple configurations of a design This textbook not only focuses on the usage of the tools and commands of SOLIDWORKS but also the concept of design Every chapter in this textbook contains tutorials that provide users with step by step instructions for creating mechanical designs and drawings with ease Additionally every chapter ends with practical hands on test drives that allow users to experience the user friendly and powerful technical capabilities of SOLIDWORKS

SOLIDWORKS 2023: A Power Guide for Beginners and Intermediate Users Sandeep Dogra, SOLIDWORKS 2023 A Power Guide for Beginners and Intermediate Users textbook has been designed for instructor led courses as well as self paced learning It is intended to help engineers and designers interested in learning SOLIDWORKS for creating 3D mechanical designs This textbook is a great help for new SOLIDWORKS users and a great teaching aid in classroom training This textbook consists of 14 chapters with a total of 780 pages covering the major environments of SOLIDWORKS such as Sketching environment Part modeling environment Assembly environment and Drawing environment This textbook teaches users to use SOLIDWORKS mechanical design software for creating parametric 3D solid components assemblies and 2D drawings This textbook also includes a chapter on creating multiple configurations of a design This textbook not only focuses on the usage of the tools and commands of SOLIDWORKS but also on the concept of design Every chapter in this textbook contains tutorials that provide users with step by step instructions for creating mechanical designs and drawings with ease Moreover every chapter ends with hands on test drives which allow users to experience the user friendly and technical capabilities of SOLIDWORKS

Table of Contents Chapter 1 Introduction to SOLIDWORKS Chapter 2 Drawing Sketches with SOLIDWORKS Chapter 3 Editing and Modifying Sketches Chapter 4 Applying Geometric Relations and Dimensions Chapter 5 Creating Base Feature of Solid Models Chapter 6 Creating Reference Geometries Chapter 7 Advanced Modeling I Chapter 8 Advanced Modeling II Chapter 9 Patterning and Mirroring Chapter 10 Advanced Modeling III Chapter 11 Working with Configurations Chapter 12 Working with Assemblies I Chapter 13 Working with Assemblies II Chapter 14 Working with Drawings

SOLIDWORKS 2022: A Power Guide for Beginners and Intermediate Users Sandeep Dogra, SOLIDWORKS 2022 A Power Guide for Beginners and Intermediate Users textbook has been designed for instructor led courses as well as self paced learning It is intended to help engineers and designers interested in learning SOLIDWORKS for creating 3D mechanical design This textbook is a great help for new SOLIDWORKS users and a great teaching aid in classroom training This textbook consists of 14 chapters with a total of 798 pages covering the major environments of SOLIDWORKS such as Sketching environment Part modeling environment Assembly environment and Drawing environment This textbook teaches users to use SOLIDWORKS mechanical design software for creating parametric 3D solid components assemblies and 2D drawings This textbook also includes a chapter on creating multiple configurations of a design This textbook not only focuses on the usage of the tools and commands of SOLIDWORKS but also on the concept of design Every chapter in this textbook contains tutorials that provide users with step by step instructions for

creating mechanical designs and drawings with ease Moreover every chapter ends with hands on test drives which allow users to experience the user friendly and technical capabilities of SOLIDWORKS Table of Contents Chapter 1 Introduction to SOLIDWORKS Chapter 2 Drawing Sketches with SOLIDWORKS Chapter 3 Editing and Modifying Sketches Chapter 4 Applying Geometric Relations and Dimensions Chapter 5 Creating Base Feature of Solid Models Chapter 6 Creating Reference Geometries Chapter 7 Advanced Modeling I Chapter 8 Advanced Modeling II Chapter 9 Patterning and Mirroring Chapter 10 Advanced Modeling III Chapter 11 Working with Configurations Chapter 12 Working with Assemblies I Chapter 13 Working with Assemblies II Chapter 14 Working with Drawings

Beginner's Guide to SOLIDWORKS 2020 - Level II Alejandro Reyes,2020 Beginner s Guide to SOLIDWORKS 2020 Level II starts where Beginner s Guide Level I ends following the same easy to read style and companion videoinstruction but this time covering advanced topics and techniques The purpose of this book is to teach advanced techniques including sheet metal surfacing how to create components in the context of an assembly and reference other components Top down design propagate design changes with SOLIDWORKS parametric capabilities mold design welded structures and more while explaining the basic concepts of each trade to allow you to understand the how and why of each operation The author uses simple examples to allow you to better understand each command and environment as well as to make it easier to explain the purpose of each step maximizing the learning time by focusing on one task at a time This book is focused on the processes to complete the modeling of a part instead of focusing on individual software commands or operations which are generally simple enough to learn At the end of this book you will have acquired enough skills to be highly competitive when it comes to designing with SOLIDWORKS and while there are many less frequently used commands and options available that will not be covered in this book rest assured that those covered are most of the commands used every day by SOLIDWORKS designers The author strived hard to include many of the commands required in the Certified SOLIDWORKS Professional Advanced and Expert exams as listed on the SOLIDWORKS website

Beginner's Guide to SOLIDWORKS 2021 - Level I Alejandro Reyes,2021-01-29 This book is intended to help new users learn the basic concepts of SOLIDWORKS and good solid modeling techniques in an easy to follow guide that includes video instruction It is a great starting point for those new to SOLIDWORKS or as a teaching aid in classroom training to become familiar with the software s interface basic commands and strategies as users complete a series of models while learning different ways to accomplish a particular task At the end of this book you will have a fairly good understanding of the SOLIDWORKS interface and the most commonly used commands for part modeling assembly and detailing after completing a series of components and their 2D drawings complete with Bill of Materials The book focuses on the processes to complete the modeling of a part instead of focusing on individual software commands or operations which are generally simple enough to learn Throughout this book the author introduces you to new commands that are required to pass the Certified SOLIDWORKS Associate exam as listed on the SOLIDWORKS website A dedicated chapter provides you

with details about the exam as well as a practice test to help you prepare for the actual exam SOLIDWORKS is an easy to use CAD software that includes many time saving tools that will enable new and experienced users to complete design tasks faster than before Most commands covered in this book have advanced options which may not be covered in this book This is meant to be a starting point to help new users to learn the basic and most frequently used commands [Beginner's Guide to SOLIDWORKS 2023 - Level I](#) Alejandro Reyes,2023-05-04 Designed to teach new users the basic concepts of SOLIDWORKS and good solid modeling techniques Uses a task oriented approach to learning SOLIDWORKS Focuses on the processes to complete the modeling of a part instead of individual commands Includes access to extensive video instruction Covers commands found on the CSWA exam and includes a practice test This edition features expanded content covering the CSWA exam This book is intended to help new users learn the basic concepts of SOLIDWORKS and good solid modeling techniques in an easy to follow guide that includes video instruction It is a great starting point for those new to SOLIDWORKS or as a teaching aid in classroom training to become familiar with the software s interface basic commands and strategies as users complete a series of models while learning different ways to accomplish a particular task At the end of this book you will have a fairly good understanding of the SOLIDWORKS interface and the most commonly used commands for part modeling assembly and detailing after completing a series of components and their 2D drawings complete with Bill of Materials The book focuses on the processes to complete the modeling of a part instead of focusing on individual software commands or operations which are generally simple enough to learn Throughout this book the author introduces you to new commands that are required to pass the Certified SOLIDWORKS Associate exam as listed on the SOLIDWORKS website A dedicated chapter provides you with details about the exam as well as a practice test to help you prepare for the actual exam SOLIDWORKS is an easy to use CAD software that includes many time saving tools that will enable new and experienced users to complete design tasks faster than before Most commands covered in this book have advanced options which may not be covered in this book This is meant to be a starting point to help new users to learn the basic and most frequently used commands Includes Video Instruction Each copy of this book includes access to video instruction In these videos the author provides a clear presentation of tutorials found in the book The videos reinforce the steps described in the book by allowing you to watch the exact steps the author uses to complete the exercises while he provides additional details along the way Captioned versions of these videos are also available for customers who want or need video captions [Beginner's Guide to Solidworks 2013](#) Alejandro Reyes (Electrical Engineer),2013-03-18 Beginner s Guide to SolidWorks 2013 Level II starts where Beginner s Guide Level I ends following the same easy to read style but this time covering advanced topics and techniques The purpose of this book is to teach advanced techniques including sheet metal surfacing how to create components in the context of an assembly and reference other components Top down design propagate design changes with SolidWorks parametric capabilities mold design welded structures and more while explaining the basic concepts of each

trade to allow you to understand the how and why of each operation The author uses simple examples to allow you to better understand each command and environment as well as to make it easier to explain the purpose of each step maximizing the learning time by focusing on one task at a time This book is focused on the processes to complete the modeling of a part instead of focusing on individual software commands or operations which are generally simple enough to learn At the end of this book you will have acquired enough skills to be highly competitive when it comes to designing with SolidWorks and while there are many less frequently used commands and options available that will not be covered in this book rest assured that those covered are most of the commands used every day by SolidWorks designers The author strived hard to include the commands required in the Certified SolidWorks Associate test as listed on the SolidWorks website and some as well as several more

Commands Guide Tutorial for SolidWorks 2012 David C. Planchard, Marie P. Planchard, 2011-12-18 The *Commands Guide Tutorial for SolidWorks 2012* is a comprehensive reference book written to assist the beginner to intermediate user of SolidWorks 2012 SolidWorks is an immense software package and no one book can cover all topics for all users The book provides a centralized reference location to address many of the tools features and techniques of SolidWorks 2012 This book covers the following System and Document properties FeatureManagers PropertyManagers ConfigurationManagers RenderManagers 2D and 3D Sketch tools Sketch entities 3D Feature tools Motion Study Sheet Metal Motion Study Sustainability Sustainability Xpress FlowXpress PhotoView 360 Pack and Go Intelligent Modeling techniques and more Chapter 1 provides a basic overview of the concepts and terminology used throughout this book using SolidWorks 2012 software If you are completely new to SolidWorks you should read Chapter 1 in detail and complete Lesson 1 Lesson 2 and Lesson 3 in the SolidWorks Tutorials If you are familiar with an earlier release of SolidWorks you still might want to skim Chapter 1 to become acquainted with some of the commands menus and features that you have not used or you can simply jump to any section in any chapter Each chapter 18 total provides detail PropertyManager information on key topics with individual stand alone short tutorials to reinforce and demonstrate the functionality and ease of the SolidWorks tool or feature All models for the 240 plus tutorials are located on the enclosed book CD with their solution initial and final Learn by doing not just by reading Formulate the skills to create modify and edit sketches and solid features Learn the techniques to reuse features parts and assemblies through symmetry patterns copied components design tables configurations and more The book is design to compliment the Online Tutorials and Online Help contained in SolidWorks 2012 The goal is to illustrate how multiple design situations and systematic steps combine to produce successful designs The authors developed the tutorials by combining their own industry experience with the knowledge of engineers department managers professors vendors and manufacturers These professionals are directly involved with SolidWorks everyday Their responsibilities go far beyond the creation of just a 3D model

Beginner's Guide to SOLIDWORKS 2019 - Level I Alejandro Reyes, 2018 This book is intended to help new users learn the basic concepts of SOLIDWORKS and good solid modeling techniques in an easy to

follow guide that includes video instruction It is a great starting point for those new to SOLIDWORKS or as a teaching aid in classroom training to become familiar with the software s interface basic commands and strategies as users complete a series of models while learning different ways to accomplish a particular task At the end of this book you will have a fairly good understanding of the SOLIDWORKS interface and the most commonly used commands for part modeling assembly and detailing after completing a series of components and their 2D drawings complete with Bill of Materials The book focuses on the processes to complete the modeling of a part instead of focusing on individual software commands or operations which are generally simple enough to learn The author strived hard to include the commands required in the Certified SOLIDWORKS Associate and Certified SOLIDWORKS Professional Exams as listed on the SOLIDWORKS website SOLIDWORKS is an easy to use CAD software that includes many time saving tools that will enable new and experienced users to complete design tasks faster than before Most commands covered in this book have advanced options which may not be covered in this book This is meant to be a starting point to help new users to learn the basic and most frequently used commands

Commands Guide Tutorial for SolidWorks 2011 David C. Planchard,Marie P. Planchard,2010 The Commands Guide Tutorial for SolidWorks 2011 is a comprehensive reference book written to assist the beginner to intermediate user of SolidWorks 2011 SolidWorks is an immense software package and no one book can cover all topics for all users The book provides a centralized reference location to address many of the tools features and techniques of SolidWorks 2011 This book covers the following System and Document properties FeatureManagers PropertyManagers ConfigurationManagers RenderManagers 2D and 3D Sketch tools Sketch entities 3D Feature tools Motion Study Sheet Metal Motion Study Sustainability Sustainability Xpress FlowXpress PhotoView 360 Pack and Go Intelligent Modeling techniques and more Chapter 1 provides a basic overview of the concepts and terminology used throughout this book using SolidWorks 2011 software If you are completely new to SolidWorks you should read Chapter 1 in detail and complete Tutorial 1 Tutorial 2 and Tutorial 3 in the SolidWorks Tutorials If you are familiar with an earlier release of SolidWorks you might still want to skim Chapter1 to get acquainted with some of the new commands menus and features that you haven t used or you can simply jump to any section in any chapter Each chapter 18 total provides detailed PropertyManager information on key topics with individual stand alone short tutorials to reinforce and demonstrate the functionality and ease of the SolidWorks tool or feature All models for the 240 plus tutorials are provided on the enclosed book CD with their solution initial and final Learn by doing not just reading Formulate the skills to create modify and edit sketches and solid features You will also learn the techniques to reuse features parts and assemblies through symmetry patterns copied components design tables configurations and more The book is designed to compliment the Online Tutorials and Online Help contained in SolidWorks 2011 The goal is to illustrate how multiple design situations and systematic steps combine to produce successful designs

Commands Guide Tutorial for SolidWorks 2013 David C. Planchard,Marie P. Planchard,2012-12-27 The Commands

Guide Tutorial for SolidWorks 2013 is a comprehensive reference book written to assist the beginner to intermediate user of SolidWorks 2013 SolidWorks is an immense software package and no one book can cover all topics for all users This book provides a centralized reference location to address many of the tools features and techniques of SolidWorks 2013 This book covers the following System and Document properties FeatureManagers PropertyManagers ConfigurationManagers RenderManagers 2D and 3D Sketch tools Sketch entities 3D Feature tools Motion Study Sheet Metal Motion Study Sustainability Sustainability Xpress FlowXpress PhotoView 360 Pack and Go Intelligent Modeling techniques and more Chapter 1 provides a basic overview of the concepts and terminology used throughout this book using SolidWorks 2013 software If you are completely new to SolidWorks you should read Chapter 1 in detail and complete Lesson 1 Lesson 2 and Lesson 3 in the SolidWorks Tutorials If you are familiar with an earlier release of SolidWorks you still might want to skim Chapter 1 to become acquainted with some of the commands menus and features that you have not used or you can simply jump to any section in any chapter Each chapter 18 total provides detailed PropertyManager information on key topics with individual stand alone short tutorials to reinforce and demonstrate the functionality and ease of the SolidWorks tool or feature All models for the 240 plus tutorials are located on the enclosed book CD with their solution initial and final Learn by doing not just by reading Formulate the skills to create modify and edit sketches and solid features Learn the techniques to reuse features parts and assemblies through symmetry patterns copied components design tables configurations and more The book is design to compliment the Online Tutorials and Online Help contained in SolidWorks 2013 The goal is to illustrate how multiple design situations and systematic steps combine to produce successful designs The authors developed the tutorials by combining their own industry experience with the knowledge of engineers department managers professors vendors and manufacturers These professionals are directly involved with SolidWorks everyday Their responsibilities go far beyond the creation of just a 3D model

Beginner's Guide to SOLIDWORKS 2016 - Level I Alejandro Reyes,2015-12

This book is intended to help new users learn the basic concepts of SOLIDWORKS and good solid modeling techniques in an easy to follow guide that includes video instruction It is a great starting point for those new to SOLIDWORKS or as a teaching aid in classroom training to become familiar with the software s interface basic commands and strategies as users complete a series of models while learning different ways to accomplish a particular task At the end of this book you will have a fairly good understanding of the SOLIDWORKS interface and the most commonly used commands for part modeling assembly and detailing after completing a series of components and their 2D drawings complete with Bill of Materials The book focuses on the processes to complete the modeling of a part instead of focusing on individual software commands or operations which are generally simple enough to learn The author strived hard to include the commands required in the Certified SOLIDWORKS Associate and Certified SOLIDWORKS Professional Exams as listed on the SOLIDWORKS website SOLIDWORKS is an easy to use CAD software that includes many time saving tools that will enable new and experienced

users to complete design tasks faster than before Most commands covered in this book have advanced options which may not be covered in this book This is meant to be a starting point to help new users to learn the basic and most frequently used commands

Beginner's Guide to SOLIDWORKS 2018 - Level I Alejandro Reyes,2017-10 This book is intended to help new users learn the basic concepts of SOLIDWORKS and good solid modeling techniques in an easy to follow guide that includes video instruction It is a great starting point for those new to SOLIDWORKS or as a teaching aid in classroom training to become familiar with the software s interface basic commands and strategies as users complete a series of models while learning different ways to accomplish a particular task At the end of this book you will have a fairly good understanding of the SOLIDWORKS interface and the most commonly used commands for part modeling assembly and detailing after completing a series of components and their 2D drawings complete with Bill of Materials The book focuses on the processes to complete the modeling of a part instead of focusing on individual software commands or operations which are generally simple enough to learn The author strived hard to include the commands required in the Certified SOLIDWORKS Associate and Certified SOLIDWORKS Professional Exams as listed on the SOLIDWORKS website SOLIDWORKS is an easy to use CAD software that includes many time saving tools that will enable new and experienced users to complete design tasks faster than before Most commands covered in this book have advanced options which may not be covered in this book This is meant to be a starting point to help new users to learn the basic and most frequently used commands Includes Video Instruction Each copy of this book includes access to video instruction In these videos the author provides a visual presentation of tutorials found in the book The videos reinforce the steps described in the book by allowing you to watch the exact steps the author uses to complete the exercises

SOLIDWORKS 2019 Reference Guide David Planchard,2018-12-05 The SOLIDWORKS 2019 Reference Guide is a comprehensive reference book written to assist the beginner to intermediate user of SOLIDWORKS 2019 SOLIDWORKS is an immense software package and no one book can cover all topics for all users This book provides a centralized reference location to address many of the tools features and techniques of SOLIDWORKS 2019 This book covers the following System and Document properties FeatureManagers PropertyManagers ConfigurationManagers RenderManagers 2D and 3D Sketch tools Sketch entities 3D Feature tools Motion Study Sheet Metal Motion Study SOLIDWORKS Simulation PhotoView 360 Pack and Go 3D PDFs Intelligent Modeling techniques 3D printing terminology and more Chapter 1 provides a basic overview of the concepts and terminology used throughout this book using SOLIDWORKS 2019 software If you are completely new to SOLIDWORKS you should read Chapter 1 in detail and complete Lesson 1 Lesson 2 and Lesson 3 in the SOLIDWORKS Tutorials If you are familiar with an earlier release of SOLIDWORKS you still might want to skim Chapter 1 to become acquainted with some of the commands menus and features that you have not used or you can simply jump to any section in any chapter Each chapter provides detailed PropertyManager information on key topics with individual stand alone short tutorials to reinforce and demonstrate the functionality and ease of the

SOLIDWORKS tool or feature The book provides access to over 260 models their solutions and additional support materials Learn by doing not just by reading Formulate the skills to create modify and edit sketches and solid features Learn the techniques to reuse features parts and assemblies through symmetry patterns copied components design tables configurations and more The book is designed to complement the Online Tutorials and Online Help contained in SOLIDWORKS 2019 The goal is to illustrate how multiple design situations and systematic steps combine to produce successful designs The author developed the tutorials by combining his own industry experience with the knowledge of engineers department managers professors vendors and manufacturers He is directly involved with SOLIDWORKS every day and his responsibilities go far beyond the creation of just a 3D model

Thank you very much for reading **Guide Utilisation Solidworks** . As you may know, people have search hundreds times for their chosen novels like this Guide Utilisation Solidworks , but end up in infectious downloads.

Rather than reading a good book with a cup of coffee in the afternoon, instead they are facing with some malicious virus inside their laptop.

Guide Utilisation Solidworks is available in our book collection an online access to it is set as public so you can get it instantly.

Our digital library spans in multiple locations, allowing you to get the most less latency time to download any of our books like this one.

Kindly say, the Guide Utilisation Solidworks is universally compatible with any devices to read

https://staging.conocer.cide.edu/public/virtual-library/Download_PDFS/Les%20Orateurs%20De%20La%20Revolution%20Francaise%20Extraits.pdf

Table of Contents Guide Utilisation Solidworks

1. Understanding the eBook Guide Utilisation Solidworks
 - The Rise of Digital Reading Guide Utilisation Solidworks
 - Advantages of eBooks Over Traditional Books
2. Identifying Guide Utilisation Solidworks
 - Exploring Different Genres
 - Considering Fiction vs. Non-Fiction
 - Determining Your Reading Goals
3. Choosing the Right eBook Platform
 - Popular eBook Platforms
 - Features to Look for in an Guide Utilisation Solidworks
 - User-Friendly Interface
4. Exploring eBook Recommendations from Guide Utilisation Solidworks

- Personalized Recommendations
 - Guide Utilisation Solidworks User Reviews and Ratings
 - Guide Utilisation Solidworks and Bestseller Lists
5. Accessing Guide Utilisation Solidworks Free and Paid eBooks
 - Guide Utilisation Solidworks Public Domain eBooks
 - Guide Utilisation Solidworks eBook Subscription Services
 - Guide Utilisation Solidworks Budget-Friendly Options
 6. Navigating Guide Utilisation Solidworks eBook Formats
 - ePub, PDF, MOBI, and More
 - Guide Utilisation Solidworks Compatibility with Devices
 - Guide Utilisation Solidworks Enhanced eBook Features
 7. Enhancing Your Reading Experience
 - Adjustable Fonts and Text Sizes of Guide Utilisation Solidworks
 - Highlighting and Note-Taking Guide Utilisation Solidworks
 - Interactive Elements Guide Utilisation Solidworks
 8. Staying Engaged with Guide Utilisation Solidworks
 - Joining Online Reading Communities
 - Participating in Virtual Book Clubs
 - Following Authors and Publishers Guide Utilisation Solidworks
 9. Balancing eBooks and Physical Books Guide Utilisation Solidworks
 - Benefits of a Digital Library
 - Creating a Diverse Reading Collection Guide Utilisation Solidworks
 10. Overcoming Reading Challenges
 - Dealing with Digital Eye Strain
 - Minimizing Distractions
 - Managing Screen Time
 11. Cultivating a Reading Routine Guide Utilisation Solidworks
 - Setting Reading Goals Guide Utilisation Solidworks
 - Carving Out Dedicated Reading Time
 12. Sourcing Reliable Information of Guide Utilisation Solidworks

- Fact-Checking eBook Content of Guide Utilisation Solidworks
 - Distinguishing Credible Sources
13. Promoting Lifelong Learning
- Utilizing eBooks for Skill Development
 - Exploring Educational eBooks
14. Embracing eBook Trends
- Integration of Multimedia Elements
 - Interactive and Gamified eBooks

Guide Utilisation Solidworks Introduction

Free PDF Books and Manuals for Download: Unlocking Knowledge at Your Fingertips In today's fast-paced digital age, obtaining valuable knowledge has become easier than ever. Thanks to the internet, a vast array of books and manuals are now available for free download in PDF format. Whether you are a student, professional, or simply an avid reader, this treasure trove of downloadable resources offers a wealth of information, conveniently accessible anytime, anywhere. The advent of online libraries and platforms dedicated to sharing knowledge has revolutionized the way we consume information. No longer confined to physical libraries or bookstores, readers can now access an extensive collection of digital books and manuals with just a few clicks. These resources, available in PDF, Microsoft Word, and PowerPoint formats, cater to a wide range of interests, including literature, technology, science, history, and much more. One notable platform where you can explore and download free Guide Utilisation Solidworks PDF books and manuals is the internet's largest free library. Hosted online, this catalog compiles a vast assortment of documents, making it a veritable goldmine of knowledge. With its easy-to-use website interface and customizable PDF generator, this platform offers a user-friendly experience, allowing individuals to effortlessly navigate and access the information they seek. The availability of free PDF books and manuals on this platform demonstrates its commitment to democratizing education and empowering individuals with the tools needed to succeed in their chosen fields. It allows anyone, regardless of their background or financial limitations, to expand their horizons and gain insights from experts in various disciplines. One of the most significant advantages of downloading PDF books and manuals lies in their portability. Unlike physical copies, digital books can be stored and carried on a single device, such as a tablet or smartphone, saving valuable space and weight. This convenience makes it possible for readers to have their entire library at their fingertips, whether they are commuting, traveling, or simply enjoying a lazy afternoon at home. Additionally, digital files are easily searchable, enabling readers to locate specific information within seconds. With a few keystrokes, users can search for keywords, topics, or phrases, making research and finding relevant information a breeze. This efficiency

saves time and effort, streamlining the learning process and allowing individuals to focus on extracting the information they need. Furthermore, the availability of free PDF books and manuals fosters a culture of continuous learning. By removing financial barriers, more people can access educational resources and pursue lifelong learning, contributing to personal growth and professional development. This democratization of knowledge promotes intellectual curiosity and empowers individuals to become lifelong learners, promoting progress and innovation in various fields. It is worth noting that while accessing free Guide Utilisation Solidworks PDF books and manuals is convenient and cost-effective, it is vital to respect copyright laws and intellectual property rights. Platforms offering free downloads often operate within legal boundaries, ensuring that the materials they provide are either in the public domain or authorized for distribution. By adhering to copyright laws, users can enjoy the benefits of free access to knowledge while supporting the authors and publishers who make these resources available. In conclusion, the availability of Guide Utilisation Solidworks free PDF books and manuals for download has revolutionized the way we access and consume knowledge. With just a few clicks, individuals can explore a vast collection of resources across different disciplines, all free of charge. This accessibility empowers individuals to become lifelong learners, contributing to personal growth, professional development, and the advancement of society as a whole. So why not unlock a world of knowledge today? Start exploring the vast sea of free PDF books and manuals waiting to be discovered right at your fingertips.

FAQs About Guide Utilisation Solidworks Books

What is a Guide Utilisation Solidworks PDF? A PDF (Portable Document Format) is a file format developed by Adobe that preserves the layout and formatting of a document, regardless of the software, hardware, or operating system used to view or print it. **How do I create a Guide Utilisation Solidworks PDF?** There are several ways to create a PDF: Use software like Adobe Acrobat, Microsoft Word, or Google Docs, which often have built-in PDF creation tools. Print to PDF: Many applications and operating systems have a "Print to PDF" option that allows you to save a document as a PDF file instead of printing it on paper. Online converters: There are various online tools that can convert different file types to PDF. **How do I edit a Guide Utilisation Solidworks PDF?** Editing a PDF can be done with software like Adobe Acrobat, which allows direct editing of text, images, and other elements within the PDF. Some free tools, like PDFescape or Smallpdf, also offer basic editing capabilities. **How do I convert a Guide Utilisation Solidworks PDF to another file format?** There are multiple ways to convert a PDF to another format: Use online converters like Smallpdf, Zamzar, or Adobe Acrobats export feature to convert PDFs to formats like Word, Excel, JPEG, etc. Software like Adobe Acrobat, Microsoft Word, or other PDF editors may have options to export or save PDFs in different formats. **How do I password-protect a Guide Utilisation**

Solidworks PDF? Most PDF editing software allows you to add password protection. In Adobe Acrobat, for instance, you can go to "File" -> "Properties" -> "Security" to set a password to restrict access or editing capabilities. Are there any free alternatives to Adobe Acrobat for working with PDFs? Yes, there are many free alternatives for working with PDFs, such as: LibreOffice: Offers PDF editing features. PDFsam: Allows splitting, merging, and editing PDFs. Foxit Reader: Provides basic PDF viewing and editing capabilities. How do I compress a PDF file? You can use online tools like Smallpdf, I LovePDF, or desktop software like Adobe Acrobat to compress PDF files without significant quality loss. Compression reduces the file size, making it easier to share and download. Can I fill out forms in a PDF file? Yes, most PDF viewers/editors like Adobe Acrobat, Preview (on Mac), or various online tools allow you to fill out forms in PDF files by selecting text fields and entering information. Are there any restrictions when working with PDFs? Some PDFs might have restrictions set by their creator, such as password protection, editing restrictions, or print restrictions. Breaking these restrictions might require specific software or tools, which may or may not be legal depending on the circumstances and local laws.

Find Guide Utilisation Solidworks :

les orateurs de la revolution francaise extraits

~~lenticular journal note/quote~~

les pme et le marcha de lenvironnement situation et perspectives des acoindustries en france

leon golub selected paintings 1967 1986

les adverbes francais ebai de description fonctionnelle tome i

les amertumes

les paradis fiscaux

~~leo-zack y emyleo-zack and emmie~~

~~les chroniques dalvin le faiseur livre iv le compagnon~~

les grandes marees

les ateliers de soulages

les coutumes de beauvaisis tome 2 texte critique introduction globale atude analytique par salmon

leselaaawen monstergeschichten ab 6 j

les cv qui marchent

~~les chemins du zen~~

Guide Utilisation Solidworks :

Hyundai Atos Repair manuals (5) Add ; Atos I, 1997 - 2001, atos complete service manual.zip, Spanish, 135 MB ; Atos (+), atos electrical issues manual.pdf, Spanish, 24.9 MB ... workshop manual for atos - Hyundai Forum Aug 29, 2006 — I have a hyundai atos (2000) too! Im looking for the workshop manual for it too, I've got the manual for every other models of hyundai, ... Atos Prime Workshop/ Repair Manual Jan 23, 2005 — Hi everyone, I would like to obtain a workshop / repair manual for the Hyundai Atos Prime (English Version). Hyundai Atos body service and repair manual Get and view online the Hyundai Atos service and repair manual in english and pdf document. The complete user guide for repair and maintenance the Hyundai ... Hyundai Atos Service Manual (G4HC engine) Hey people! I'm new around here! Me and my bud are used to rebuild engines and now we wanted to rebuild my mom's 1998 1st gen Hyundai Atos ... Hyundai Atos PDF Workshop and Repair manuals Jul 27, 2018 — Apr 29, 2019 - Hyundai Atos PDF Workshop, Service and Repair manuals, Wiring Diagrams, Parts Catalogue, Fault codes free download!! Repair manuals and video tutorials on HYUNDAI ATOS Step-by-step DIY HYUNDAI ATOS repair and maintenance ; Amica (MX) 2019 workshop manual online. How to change fuel filter on a car - replacement tutorial ; Atos ... Hyundai Atos Free Workshop and Repair Manuals Hyundai Atos Workshop, repair and owners manuals for all years and models. Free PDF download for thousands of cars and trucks. 2000-2003 Hyundai Atos Workshop Manual - Schiff European This item contains complete repair procedures, as well as electrical wiring diagrams for: 2000-2003 Hyundai Atos models. Hyundai Atos 1.1L PDF Workshop Manual 2018-2022 The Ultimate Hyundai ix35 Workshop Service and Repair Manual, includes dealer level information for your vehicle and is simple to download and install. Compact Bilevel System Model 1700 Patient Operating ... The Scope of this Manual. This manual will show you how to use the Respironics Tranquility Bilevel PAP system. This system provides positive pressure to the. Respironics Tranquility Bilevel 1700 Operating Instructions ... View and Download Respironics Tranquility Bilevel 1700 operating instructions manual online. Compact Bilevel System. Tranquility Bilevel 1700 medical ... Respironics Tranquility Bilevel 1700 Manuals Respironics Tranquility Bilevel 1700 Pdf User Manuals. View online or download Respironics Tranquility Bilevel 1700 Operating Instructions Manual. Adjusting pressures Tranquility Bilevel 1700? Mar 28, 2011 — Lefty got the PM I sent and should have the service manual (with ALL the instructions) by now. Den. (5) REMstar Autos w/C-Flex & ... New Clinician Manuals NOW AVAILABLE - Printable Version ... Service manual for the following machines: Respironics Tranquility Bi-Level To request a PDF manual via email, simply follow the directions in Section Three ... Adjusting your machine with a Clinician Setup Manual Sep 5, 2023 — World's largest and most helpful CPAP and Sleep Apnea forum. Advice, setup manuals, OSCAR software. Make pressure changes and adjustments ... RESPIRONICS BILEVEL TRANQUILITY 1700 CPAP Delivers two different pressure levels, IPAP and EPAP, for more comfortable therapy. The unit features a Compliance Monitor that records when the unit is on or ... Respiratory Devices Product Manual - PDF Free Download BiPAP Pro Bi-Flex USER MANUAL 2012

Koninklijke ... Tranquility Quest Plus is a medical device prescribed by a physician to assist breathing. Respiroics BiPAP Vision Service Manual Downloadable PDF Manual for Respiroics BiPAP Vision Service Manual. Product and solutions catalog Philips Respiroics revolutionized sleep therapy by introducing bi-level positive airway pressure technology to treat obstructive sleep apnea. Honda TRX420FE Manuals We have 3 Honda TRX420FE manuals available for free PDF download: Owner's Manual. Honda TRX420FE Owner's Manual (266 pages). Honda TRX420FE Rancher Online ATV Service Manual Service your Honda TRX420FE Rancher ATV with a Cyclepedia service manual. Get color photographs, wiring diagrams, specifications and detailed procedures. 420 service manual Sep 19, 2010 — Anyone have the 420 service manual in PDF? I've seen the links floating around here but never the 420. I have a 2010 and any help is greatly ... 2012 420 AT Service Manual Aug 29, 2013 — How 'bout the manual for a 2012 rancher manual trans? 2012 Honda Fourtrax 420FM 12" ITP steelies 26" Kenda Bear Claws 2014-2022 Honda TRX420FA & TRX420TM/TE/FM/FE ... This a Genuine, OEM Factory Service Manual. This manual describes the detailed, step-by-step service, repair, troubleshooting & overhaul procedures for 2014 ... Honda TRX420 FourTrax Rancher (FE/FM/TE/TM/FPE/FPM) The Honda TRX420 (FE/FM/TE/TM/FPE/FPM) 2007-2012 Service Manual is the best book for performing service on your ATV. 2010 Honda TRX420FE FourTrax Rancher 4x4 ES Service ... Jul 14, 2018 — Read 2010 Honda TRX420FE FourTrax Rancher 4x4 ES Service Repair Manual by 163215 on Issuu and browse thousands of other publications on our ... Honda TRX420FE Rancher Service Manual 2014-2020 ThisHonda TRX420FE Rancher Service Manual 2014-2020 is published by Cyclepedia Press LLC. Honda TRX420FE Rancher Service Manual 2014-2020 - Table of ... Honda TRX420FE Rancher Service Manual 2014-2020 This professionally written Cyclepedia service manual is perfect for service, repairs, maintenance, and rebuild projects for your Honda TRX420FE Rancher. Clear ...