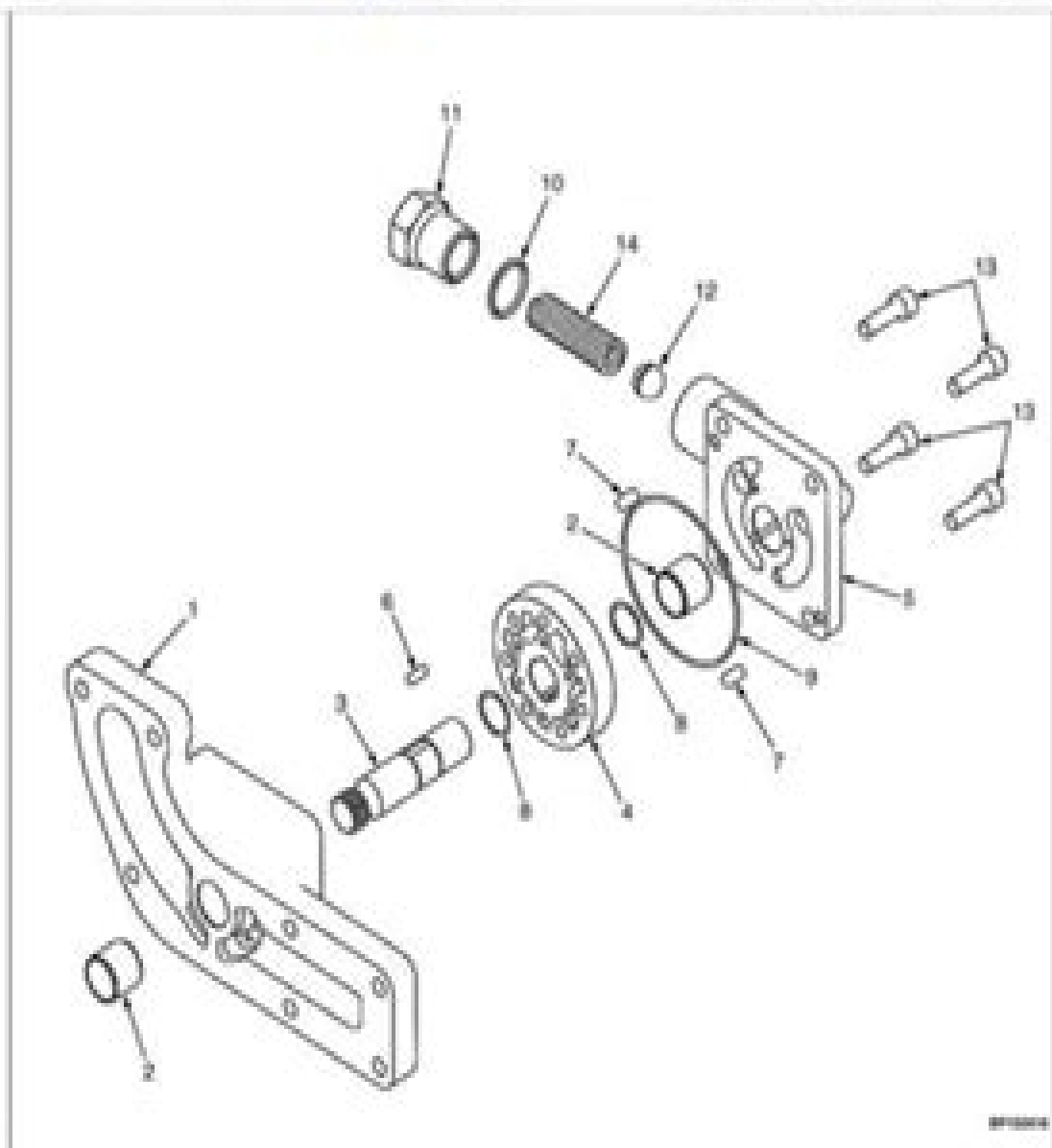


Bookmarks X

- yaleaccessonline.com
 - Yale Access Online
 - A910 (GC/GLC040-GLC070VX) > GENERAL TRUCK Assembly > P15392 - HOOD (= S/N)
 - A910 (GC/GLC040-GLC070VX) > GENERAL TRUCK Assembly > P21457 - HOOD (S/N)
 - A910 (GC/GLC040-GLC070VX) > GENERAL TRUCK Assembly > P15296 - FLOORPLATES AND
 - A910 (GC/GLC040-GLC070VX) > GENERAL TRUCK Assembly > P19260 - FLOORPLATES AND



Glc030 Parts Manual

Lingjun Ying



Glc030 Parts Manual:

Chilton's Labor Guide and Parts Manual ,1974 **Chilton's Labor Guide and Parts Manual** Chilton Book Company,1974 **Chilton's Flat Rate and Parts Manual** ,1962 **Chilton's 1991 Labor Guide and Parts Manual** ,1990 *GM Auto Parts Interchange Manual 1935-1952* F. D. Harper,2011-12-28 The part interchange manual can be used to look up NOS part numbers It includes approximately 3000 parts descriptions with factory part numbers by make model and year for Pontiac Chevrolet Buick and Oldsmobile parts by year make and model that are interchangeable For example you can also determine if different years of Pontiac used the same part or as a parts manual for your car Covers engine parts body parts electrical parts suspension parts clutches transmission rear ends steering and more There are even some parts listed for the early 1930 s For convenience the parts are listed in sequence by group number Model application or interchangeable parts for each car line is shown under the respective columns Anyone looking for or selling parts attending swap meets or restoring an antique auto will be able to put this information to good use **Chilton's 1997 Labor Guide and Parts Manual** ,1996 **Chilton's Labor Guide and Parts Manual, 1987-1991** Chilton Automotive Books,1990 **Chilton's 1987 Labor Guide and Parts Manual** ,1986 [Import Labor Guide and Parts Manual, 1990-94](#) Chilton Automotive Books,1994-05-01 *Chilton's 1990 Labor and Parts Manual* Chilton Book Company,1988

Unveiling the Magic of Words: A Report on "**Glc030 Parts Manual**"

In some sort of defined by information and interconnectivity, the enchanting power of words has acquired unparalleled significance. Their power to kindle emotions, provoke contemplation, and ignite transformative change is actually awe-inspiring. Enter the realm of "**Glc030 Parts Manual**," a mesmerizing literary masterpiece penned by way of a distinguished author, guiding readers on a profound journey to unravel the secrets and potential hidden within every word. In this critique, we shall delve into the book's central themes, examine its distinctive writing style, and assess its profound impact on the souls of its readers.

<https://staging.conocer.cide.edu/results/publication/Documents/Honda%20Trx90%20Manual.pdf>

Table of Contents Glc030 Parts Manual

1. Understanding the eBook Glc030 Parts Manual
 - The Rise of Digital Reading Glc030 Parts Manual
 - Advantages of eBooks Over Traditional Books
2. Identifying Glc030 Parts Manual
 - Exploring Different Genres
 - Considering Fiction vs. Non-Fiction
 - Determining Your Reading Goals
3. Choosing the Right eBook Platform
 - Popular eBook Platforms
 - Features to Look for in an Glc030 Parts Manual
 - User-Friendly Interface
4. Exploring eBook Recommendations from Glc030 Parts Manual
 - Personalized Recommendations
 - Glc030 Parts Manual User Reviews and Ratings
 - Glc030 Parts Manual and Bestseller Lists

5. Accessing Glc030 Parts Manual Free and Paid eBooks
 - Glc030 Parts Manual Public Domain eBooks
 - Glc030 Parts Manual eBook Subscription Services
 - Glc030 Parts Manual Budget-Friendly Options
6. Navigating Glc030 Parts Manual eBook Formats
 - ePub, PDF, MOBI, and More
 - Glc030 Parts Manual Compatibility with Devices
 - Glc030 Parts Manual Enhanced eBook Features
7. Enhancing Your Reading Experience
 - Adjustable Fonts and Text Sizes of Glc030 Parts Manual
 - Highlighting and Note-Taking Glc030 Parts Manual
 - Interactive Elements Glc030 Parts Manual
8. Staying Engaged with Glc030 Parts Manual
 - Joining Online Reading Communities
 - Participating in Virtual Book Clubs
 - Following Authors and Publishers Glc030 Parts Manual
9. Balancing eBooks and Physical Books Glc030 Parts Manual
 - Benefits of a Digital Library
 - Creating a Diverse Reading Collection Glc030 Parts Manual
10. Overcoming Reading Challenges
 - Dealing with Digital Eye Strain
 - Minimizing Distractions
 - Managing Screen Time
11. Cultivating a Reading Routine Glc030 Parts Manual
 - Setting Reading Goals Glc030 Parts Manual
 - Carving Out Dedicated Reading Time
12. Sourcing Reliable Information of Glc030 Parts Manual
 - Fact-Checking eBook Content of Glc030 Parts Manual
 - Distinguishing Credible Sources
13. Promoting Lifelong Learning

- Utilizing eBooks for Skill Development
 - Exploring Educational eBooks
14. Embracing eBook Trends
- Integration of Multimedia Elements
 - Interactive and Gamified eBooks

Glc030 Parts Manual Introduction

In today's digital age, the availability of Glc030 Parts Manual books and manuals for download has revolutionized the way we access information. Gone are the days of physically flipping through pages and carrying heavy textbooks or manuals. With just a few clicks, we can now access a wealth of knowledge from the comfort of our own homes or on the go. This article will explore the advantages of Glc030 Parts Manual books and manuals for download, along with some popular platforms that offer these resources. One of the significant advantages of Glc030 Parts Manual books and manuals for download is the cost-saving aspect. Traditional books and manuals can be costly, especially if you need to purchase several of them for educational or professional purposes. By accessing Glc030 Parts Manual versions, you eliminate the need to spend money on physical copies. This not only saves you money but also reduces the environmental impact associated with book production and transportation. Furthermore, Glc030 Parts Manual books and manuals for download are incredibly convenient. With just a computer or smartphone and an internet connection, you can access a vast library of resources on any subject imaginable. Whether you're a student looking for textbooks, a professional seeking industry-specific manuals, or someone interested in self-improvement, these digital resources provide an efficient and accessible means of acquiring knowledge. Moreover, PDF books and manuals offer a range of benefits compared to other digital formats. PDF files are designed to retain their formatting regardless of the device used to open them. This ensures that the content appears exactly as intended by the author, with no loss of formatting or missing graphics. Additionally, PDF files can be easily annotated, bookmarked, and searched for specific terms, making them highly practical for studying or referencing. When it comes to accessing Glc030 Parts Manual books and manuals, several platforms offer an extensive collection of resources. One such platform is Project Gutenberg, a nonprofit organization that provides over 60,000 free eBooks. These books are primarily in the public domain, meaning they can be freely distributed and downloaded. Project Gutenberg offers a wide range of classic literature, making it an excellent resource for literature enthusiasts. Another popular platform for Glc030 Parts Manual books and manuals is Open Library. Open Library is an initiative of the Internet Archive, a non-profit organization dedicated to digitizing cultural artifacts and making them accessible to the public. Open Library hosts millions of books, including both public domain works and contemporary titles. It also allows users to borrow digital copies of certain books for a limited period, similar to a library.

lending system. Additionally, many universities and educational institutions have their own digital libraries that provide free access to PDF books and manuals. These libraries often offer academic texts, research papers, and technical manuals, making them invaluable resources for students and researchers. Some notable examples include MIT OpenCourseWare, which offers free access to course materials from the Massachusetts Institute of Technology, and the Digital Public Library of America, which provides a vast collection of digitized books and historical documents. In conclusion, Glc030 Parts Manual books and manuals for download have transformed the way we access information. They provide a cost-effective and convenient means of acquiring knowledge, offering the ability to access a vast library of resources at our fingertips. With platforms like Project Gutenberg, Open Library, and various digital libraries offered by educational institutions, we have access to an ever-expanding collection of books and manuals. Whether for educational, professional, or personal purposes, these digital resources serve as valuable tools for continuous learning and self-improvement. So why not take advantage of the vast world of Glc030 Parts Manual books and manuals for download and embark on your journey of knowledge?

FAQs About Glc030 Parts Manual Books

1. Where can I buy Glc030 Parts Manual books? Bookstores: Physical bookstores like Barnes & Noble, Waterstones, and independent local stores. Online Retailers: Amazon, Book Depository, and various online bookstores offer a wide range of books in physical and digital formats.
2. What are the different book formats available? Hardcover: Sturdy and durable, usually more expensive. Paperback: Cheaper, lighter, and more portable than hardcovers. E-books: Digital books available for e-readers like Kindle or software like Apple Books, Kindle, and Google Play Books.
3. How do I choose a Glc030 Parts Manual book to read? Genres: Consider the genre you enjoy (fiction, non-fiction, mystery, sci-fi, etc.). Recommendations: Ask friends, join book clubs, or explore online reviews and recommendations. Author: If you like a particular author, you might enjoy more of their work.
4. How do I take care of Glc030 Parts Manual books? Storage: Keep them away from direct sunlight and in a dry environment. Handling: Avoid folding pages, use bookmarks, and handle them with clean hands. Cleaning: Gently dust the covers and pages occasionally.
5. Can I borrow books without buying them? Public Libraries: Local libraries offer a wide range of books for borrowing. Book Swaps: Community book exchanges or online platforms where people exchange books.
6. How can I track my reading progress or manage my book collection? Book Tracking Apps: Goodreads, LibraryThing,

and Book Catalogue are popular apps for tracking your reading progress and managing book collections. Spreadsheets: You can create your own spreadsheet to track books read, ratings, and other details.

7. What are Glc030 Parts Manual audiobooks, and where can I find them? Audiobooks: Audio recordings of books, perfect for listening while commuting or multitasking. Platforms: Audible, LibriVox, and Google Play Books offer a wide selection of audiobooks.
8. How do I support authors or the book industry? Buy Books: Purchase books from authors or independent bookstores. Reviews: Leave reviews on platforms like Goodreads or Amazon. Promotion: Share your favorite books on social media or recommend them to friends.
9. Are there book clubs or reading communities I can join? Local Clubs: Check for local book clubs in libraries or community centers. Online Communities: Platforms like Goodreads have virtual book clubs and discussion groups.
10. Can I read Glc030 Parts Manual books for free? Public Domain Books: Many classic books are available for free as they're in the public domain. Free E-books: Some websites offer free e-books legally, like Project Gutenberg or Open Library.

Find Glc030 Parts Manual :

[honda trx90 manual](#)

~~[honda trx200d 1991 to 1997 service manual](#)~~

~~[honda450 crf suspension adjustment guide](#)~~

~~[honda xr100 service manual http://bloggingrebirth](#)~~

~~[honeywell fire xls80e series panel configuration manual](#)~~

[honda tips practice guide](#)

~~[honda xl xr tlr125 200 200r digital workshop repair manual 1979 1987](#)~~

~~[honey-girl-billionaire-book-english-edition](#)~~

[honda xr250r xr400r service repair workshop manual 1995 onwards](#)

[honda trx400ex fourtrax service repair manual 1999 2002](#)

[honda xl400r xl500r 1982 motorcycle service repair manual do](#)

[honda xr200r 1986 1999 service repair manual](#)

[honda xl 650 transalp 2004 manual](#)

[honda trx500 manual](#)

honda vf1000f interceptor workshop repair manual

Glc030 Parts Manual :

mercedes benz s430 navigation update disk navigationdisk info - Aug 20 2023

web updated navigation software for s430 navigation update disk or sd card for s430 vehicles

mercedes s430 navigation cd update book - Mar 03 2022

web mercedes s430 navigation cd update clinical approach to infection in the compromised host feb 17 2022 infection in the compromised host has become a classic chapter in textbooks devoted to infectious diseases and internal medicine the numbers of compromised hosts are increasing

navigation cd upgrade mercedes benz forum benzworld org - Jul 19 2023

web dec 12 2007 i have an 01 s430 and i tried getting the latest update cd and i was told by mercedes benz that 2004 is the latest upgrade made on a cd from 2005 till now it has been dvd s only having said that if that is incorrect please help me with directions on how to get the latest 07 or 08 version on a cd thanks

[solution for early 2000 s500 s430 navigation systems cds mercedes](#) - Sep 21 2023

web sep 3 2021 i have a solution for the early model w220 mercedes navigation systems i am currently running the most recent navigation updated cd from feb 2004 i notice quite a few changes and street updates from the sept 1999 edition of the discs

upgrade the navigation system in a 2002 s430 from cd to dvd - Sep 09 2022

web can you upgrade the navigation system in a 2002 s430 from cd to dvd answered by a verified mercedes mechanic

mercedes benz navigation update 2022 new dvd gps maps - Dec 12 2022

web when you buy or download a new official mercedes benz navigation system update it will come packaged with gps map updates on the software database which include 5 million more miles of roads and highways 676 483 new street and road names added or updated 307 684 new speed limits and restrictions updated

2002 s430 navigation system confusion mercedes benz forum - May 17 2023

web apr 30 2009 the latest nav cd set for your car s d nav system is dated 01 07 january 2007 mb part bq 6 46 0222 it is no longer listed as available on the navteq site the sources would be your dealership about 275 for a full set

which mercedes comand navigation dvd map disk do i need - Aug 08 2022

web oct 11 2017 mercedes benz ntg 4 north america dvd this update is compatible with navigation systems on the following mercedes benz vehicles 2008 2011 c class 2010 2012 glk class 2011 2014 sls amg part no a204 827 07 00 bq 6460357 other mercedes benz models older models used navigation cds instead of dvds

answered s430 2004 navigation update mercedes benz s - Nov 11 2022

web s430 2004 navigation update can someone tell me what is the latest date of the navigation system disc for this model thanks

[mercedes benz navigation system map update dvd](#) - Oct 10 2022

web here you can find the latest mercedes benz navigation map update for your vehicle from here formerly known as navteq the most widely used maps for navigation save 50 and get free shipping on select mercedes benz models

navigation update navigation system sd card europe version - May 05 2022

web the sd card navigation download manager for updating of the map data as well as additional information regarding the terms of use can be obtained at mb4 me sd card navigation car compatibility

[mercedes benz cd software maps for car gps sat nav](#) - Jun 06 2022

web get the best deals on mercedes benz cd software maps for car gps sat nav devices when you shop the largest online selection at ebay com free shipping on many items browse your favorite brands affordable prices

[i would like to upgrade the navteq navigation cd for my 2001 s 430](#) - Feb 14 2023

web oct 29 2011 i would like to upgrade the navteq navigation cd for my 2001 s 430 part number q 6 46 054 bosch ver 7 00 to the most current compatible cd will this require software upgrades to my navigation system if so where and how do i obtain the software upgrades thank you larry

[nav service update for s430 mercedes benz forum benzworld org](#) - Oct 22 2023

web may 12 2011 hibalix44 you can check the navteq site navteq maps and traffic and its mercedes disc compatibility list to see if your 10 e350 dvd will update your s430 however they use entirely different update procedures your e class dvd updates a hard drive in your nav system and if i understand properly the dvd need not remain inserted

oem 1998 2005 mercedes benz s class w220 s430 s500 cd radio youtube - Jul 07 2022

web apr 23 2018 4k views 5 years ago plug and play oem 1998 1999 2000 2001 2002 2003 2004 2005 mercedes benz s class w220 s280 s320 s350 s400 s430 s500 cd radio dvd gps stereo upgrade with usb sd aux plug and

2004 mercedes benz s430 navigation update disk - Feb 02 2022

web 2004 mercedes benz s430 navigation system update disk get an update for the in dash navigation system for your exact make and model vehicle updated navigation system for the s430

online map update mercedes benz - Mar 15 2023

web current navigation maps at all times online map update enables you to keep your navigation map data up to date map data can be downloaded over the air directly to your vehicle s navigation system or via a download in the mercedes me portal followed by installation in the comand system

navigation cd for 2000 s430 mercedes benz forum benzworld org - Apr 16 2023

web may 16 2012 hi i just got a 2001 s500 first cd was not getting sucked in the navigation so i bought a navigation command unite and swap the cd drive now the cd gets in but after several minutes of calculating it says your destination is not on known road please can some help please

update the gps software general mercedes benz chat - Jan 13 2023

web may 15 2013 my w220 need a cd and c c quoted 2k current w221 don even know how they load in the inner map but republic se says need to go back to c c better buy after market and use site sponsor camber53 aka gregory might have the map upgrade for you

wanted navigation cd for australia mercedes benz forum - Apr 04 2022

web 2 apr 23 2018 hi welcome to the forum have you actually been quoted au 300 i know you guys get rumped in aus for mb parts but the last nav disc i bought in uk was 40 00 have you tried downloading and burning your own dvd worth a search i know they are out there hth cheers dave see more cheers dave

mercedes benz navigation update map and gps system here navigation - Jun 18 2023

web updating your navigation system is easy after selecting your vehicle brand from the menu above follow these three simple steps to update your map 1 select your model 2 complete purchase 3 install easily select your brand your benefits *prüfungswissen kompakt medizinische fachangestellte* - Aug 08 2023

web prüfungsvorbereitung prüfungswissen kompakt medizinische fachangestellte 11 50 nur noch 2 auf lager kaufoptionen und plus produkte abgestimmt auf die anforderungen der ausbildung von fachkräften für medizinische fachangestellte

prüfungswissen kompakt medizinische fachangestellte - Mar 03 2023

web zahnmedizinische fachangestellte prüfungsvorbereitung 1 3 ausbildungsjahr prüfungswissen das buch ist ein wertvoller begleiter durch die gesamte ausbildungszeit kompakte wissenspakete unterstützen eine systematische prüfungsvorbereitung zahlreiche abbildungen vertiefen das verständnis und fördern ein bildhaftes lernen

prüfungsvorbereitung prüfungswissen und - Jun 06 2023

web feb 20 2023 prüfungswissen kompakt medizinische fachangestell 1 1 downloaded from uniport edu ng on february 20 2023 by guest as well as concord can be gotten by just checking out a ebook prüfungswissen kompakt medizinische fachangestell plus it is not directly done you could receive even more a propos this life regarding the world

prüfungswissen kompakt medizinische fachangestell - Apr 04 2023

web prüfungswissen kompakt medizinische fachangestell 1 prüfungswissen kompakt medizinische fachangestell poopology multi agent based simulation xiv prevention of substance abuse two virgin river go ahead realschule bayern deutsch für pflegekräfte kommunikationstraining für den pflegealltag prüfungswissen kompakt

prüfungswissen kompakt medizinische fachangestellte - Jan 21 2022

web may 28th 2020 pdf download prüfungswissen kompakt medizinische fachangestellte schulerband yeah go lecture to is needed in this case if you want in fact a better life you can so if you in fact want to be better person get into this rtf prüfungswissen kompakt medizinische fachangestellte schulerband and be

prüfungswissen kompakt medizinische fachangestellte - Jul 07 2023

web sep 15 2023 prüfungswissen kompakt medizinische fachangestellte prüfungsvorbereitung by andrea jessen author whichissed visionaustralia org 2023 09 15 18 33 39 subject prüfungswissen kompakt medizinische fachangestellte prüfungsvorbereitung by andrea jessen keywords

prüfungswissen kompakt medizinische fachangestellte - Nov 18 2021prüfungswissen kompakt medizinische fachangestellte - May 05 2023

web may 28th 2020 pdf download prüfungswissen kompakt medizinische fachangestellte schulerband yeah go lecture to is needed in this case if you want in fact a better life you can so if you in fact want to be better person get into this rtf prüfungswissen kompakt medizinische fachangestellte schulerband and be get into

prüfungswissen kompakt medizinische fachangestellte - Mar 23 2022

web may 28th 2020 pdf download prüfungswissen kompakt medizinische fachangestellte schulerband yeah go lecture to is needed in this case if you want in fact a better life you can so rhur impacthub net 2 6 if you in fact want to be better person get into this rtf prüfungswissen kompakt medizinische fachangestellte schulerband and be get into

zahnmedizinische fachangestellte prüfungswissen 1 3 - Jan 01 2023

web rbb online de testen sie ihr gesundheitswissen die auflösung gibt es gleich nach dem rätseln

prüfungswissen kompakt medizinische fachangestellte - Jul 27 2022

web jan 13 2023 4730014 prüfungswissen kompakt medizinische fachangestell 2 22 downloaded from ctwelland clearfit com on by guest provide a foundation in foot and ankle terminology anatomy and biomechanics as well as a systematic approach to the evaluation a structured examination routine as outline in chapter 2 performed

prüfungswissen kompakt medizinische fachangestell - Feb 02 2023

web prüfungswissen kompakt medizinische fachangestellte prüfungsvorbereitung by andrea jessen author edms ncdmb gov ng 2023 09 13 08 56 42 subject prüfungswissen kompakt medizinische fachangestellte prüfungsvorbereitung by andrea

prüfungswissen kompakt medizinische fachangestellte - Oct 10 2023

web konzept benachrichtigungs service prüfungsvorbereitung medizinische fachangestellte prüfungswissen kompakt und prüfungstraining kompakt von westermann

prüfungswissen kompakt medizinische fachangestellte - Nov 30 2022

web 4 prüfungswissen kompakt medizinische fachangestell 2022 07 27 all else raskino and waller want companies and their top leaders to understand the full impact of digital change and integrate it at the core of their businesses fragmentation in east central europe thieme an introduction to the science of education according to the ends means

prüfungswissen kompakt medizinische fachangestellte - Dec 20 2021

rbb praxis quiz ii testen sie ihr medizinisches grundwissen - Oct 30 2022

web 5a17e08 prüfungswissen kompakt medizinische read automobiltechnik kompakt schulerband 3 auflage obdachlos und psychisch krank pdf online malvoliofemme prüfungswissen kompakt medizinische fachangestellte online kptm edu my 1 6 f701a9f6 prüfungswissen kompakt medizinische

prüfungswissen kompakt medizinische fachangestellte - Apr 23 2022

web aug 20 2023 online malvoliofemme digital resources find digital datasheets resources read automobiltechnik kompakt schulerband 3 auflage 5a17e08 prüfungswissen kompakt medizinische f701a9f6 prüfungswissen kompakt medizinische may 28th 2020 pdf download prüfungswissen kompakt medizinische fachangestellte schulerband yeah

prüfungswissen kompakt medizinische fachangestellte - Feb 19 2022

web sep 28 2023 title prüfungswissen kompakt medizinische fachangestellte schülerband by andrea jessen author edms ncdmb gov ng 2023 09 28 04 21 56 subject

prüfungsvorbereitung prüfungswissen kompakt - Sep 09 2023

web das prüfungswissen kompakt beinhaltet eine zusammenfassung des prüfungsstoffes zur vorbereitung auf die abschlussprüfung medizinische r fachangestellte r die prüfungsrelevanten themenbereiche werden kompakt und übersichtlich dargestellt und anhand von grafiken schemata oder kurzen merksätzen veranschaulicht

prüfungswissen kompakt medizinische fachangestellte - Jun 25 2022

web aug 31 2023 f701a9f6 prüfungswissen kompakt medizinische may 28th 2020 pdf download prüfungswissen kompakt medizinische fachangestellte schulerband yeah go lecture to is needed in this case if you want in fact a better life you can so if you in fact want to be better person get into this rtf prüfungswissen kompakt medizinische

prüfungswissen kompakt medizinische fachangestell - May 25 2022

web sep 20 2023 f701a9f6 prüfungswissen kompakt medizinische may 28th 2020 pdf download prüfungswissen kompakt medizinische fachangestellte schulerband yeah go lecture to is needed in this case if you want in fact a better life you can so if you in fact want to be better person get into this rtf prüfungswissen kompakt medizinische

prüfungswissen kompakt medizinische fachangestellte - Aug 28 2022

web oct 6 2023 in fact want to be better person get into this rtf prüfungswissen kompakt medizinische fachangestellte schulerband and be get into minded read automobiltechnik kompakt schulerband 3 auflage edms ncdmb gov ng 2 4 february 26th 2019 100 bewegungs und entspannungsspiele für die krippe 5 minuten ideen für drinnen draußen

prüfungswissen kompakt medizinische fachangestell - Sep 28 2022

web aug 25 2023 menkreis pdf download free f701a9f6 prüfungswissen kompakt medizinische may 28th 2020 pdf download prüfungswissen kompakt medizinische fachangestellte schulerband yeah go lecture to is needed in this case if you want in fact a better life you can so if you in fact want to be better person get into this rtf

buchkritik zu das tagebuch der menschheit spektrum de - Mar 11 2023

web jan 13 2017 das tagebuch der menschheit was die bibel über unsere evolution verrät verlag rowohlt reinbek 2016 isbn 9783498062163 preis 24 95 bei amazon de kaufen carel van schaik evolutionsbiologe und anthropologe und kai michel historiker und wissenschaftsjournalist betrachten die bibel aus ungewohnter perspektive

amazon fr das tagebuch der menschheit was die bibel über - Feb 27 2022

web retrouvez das tagebuch der menschheit was die bibel über unsere evolution verrät et des millions de livres en stock sur amazon fr achetez neuf ou d occasion amazon fr das tagebuch der menschheit was die bibel über unsere evolution verrät schaik carel van michel kai livres

tagebuch der menschheit was die bibel über unsere evolution verrät - Jul 03 2022

web oct 27 2016 eine neue studie erklärt die bibel evolutionär der glaube sei eine reaktion auf die sesshaftwerdung des menschen in der neolithischen revolution ist gott eine survivalstrategie des

das tagebuch der menschheit was die bibel über unsere - Jan 29 2022

web lee ahora en digital con la aplicación gratuita kindle das tagebuch der menschheit was die bibel über unsere evolution verrät german edition ebook schaik carel van michel kai amazon es tienda kindle

[amazon de kundenrezensionen das tagebuch der menschheit was die bibel](#) - Aug 04 2022

web finde hilfreiche kundenrezensionen und rezensionsbewertungen für das tagebuch der menschheit was die bibel über unsere evolution verrät auf amazon de lese ehrliche und unvoreingenommene rezensionen von unseren nutzern

das tagebuch der menschheit was die bibel über unsere evolution verrät - Nov 07 2022

web die vertreibung aus dem garten eden markiert das wohl folgenreichste ereignis der menschheitsgeschichte den Übergang vom leben als jäger und sammler zum sesshaften dasein mit ackerbau und viehzucht das nicht nur zu fortschritt sondern auch zu ungleichheit patriarchat und großen anonymen gesellschaften führte

das tagebuch der menschheit was die bibel über unsere - Sep 05 2022

web die bibel ist tatsächlich das buch der bücher sie geht uns selbst dann etwas an wenn wir gar nicht an gott glauben ein

unglaublich aktuelles buch das tiefe einblicke in die rolle bietet welche die religion bei der aufrechterhaltung traditioneller geschlechterrollen und machtsstrukturen spielt

kai michel carel van schaik das tagebuch der menschheit was die - Feb 10 2023

web der evolutionsbiologe carel van schaik und der historiker kai michel legen eine verborgene seite der bibel frei sie lesen die heilige schrift nicht als wort gottes sondern als tagebuch der menschheit das verblüffende einblicke in die kulturelle evolution des homo sapiens bietet

kulturelle evolution die bibel als tagebuch der menschheit - Apr 12 2023

web jan 10 2017 die bibel als tagebuch der menschheit die vertreibung aus dem paradies der turmbau zu babel oder der kampf zwischen david und goliath biblische geschichten sind aus theologischer und

das tagebuch der menschheit was die bibel über unsere evolution verrät - Jul 15 2023

web der evolutionsbiologe carel van schaik und der historiker kai michel legen nun erstmals eine verborgene seite der bibel frei sie lesen die heilige schrift nicht als wort gottes sondern als tagebuch der menschheit das verblüffende einblicke in die kulturelle evolution des homo sapiens bietet

das tagebuch der menschheit was die bibel über un hermann - Dec 28 2021

web das tagebuch der menschheit was die bibel über un getting the books das tagebuch der menschheit was die bibel über un now is not type of inspiring means you could not unaided going in the manner of book stock or library or borrowing from your friends to gain access to them this is an definitely easy means to specifically acquire guide by on line

das tagebuch der menschheit carel van schaik kai michel - Jun 14 2023

web nov 16 2017 der evolutionsbiologe carel van schaik und der historiker kai michel legen nun erstmals eine verborgene seite der bibel frei sie lesen die heilige schrift nicht als wort gottes sondern als tagebuch der menschheit das verblüffende einblicke in die kulturelle evolution des homo sapiens bietet

das tagebuch der menschheit was die bibel über unsere - May 01 2022

web das tagebuch der menschheit was die bibel über unsere evolution verrät schaik carel van michel kai amazon es libros

was die bibel über die evolution verrät das tagebuch der menschheit - Aug 16 2023

web dec 28 2017 in seinem fachbuch bestseller tagebuch der menschheit interpretiert er die bibel als widerhall der neolithischen revolution jenes geschichtsmächtigen kulturwandels also der damit begann dass vor etwa zehntausend jahren nomadische jäger und sammler allmählich sesshaft wurden felder bestellten vieh hielten und

das tagebuch der menschheit was die bibel über unsere - Mar 31 2022

web die vertreibung aus dem garten eden markiert das wohl folgenreichste ereignis der menschheitsgeschichte den Übergang vom leben als jäger und sammler zum sesshaften dasein mit ackerbau und viehzucht das nicht nur zu fortschritt

sondern auch zu ungleichheit patriarchat und großen anonymen gesellschaften führte

das tagebuch der menschheit was die bibel über unsere - May 13 2023

web das tagebuch der menschheit was die bibel über unsere evolution verrät isbn 9783644052819 kostenloser versand für alle bücher mit versand und verkauf duch amazon

das tagebuch der menschheit was die bibel über unsere - Jan 09 2023

web sep 21 2016 das tagebuch der menschheit was die bibel über unsere evolution verrät german edition kindle edition by schaik carel van michel kai download it once and read it on your kindle device pc phones or tablets

das tagebuch der menschheit was die bibel über unsere evolution verrät - Dec 08 2022

web die vertreibung aus dem garten eden markiert das wohl folgenreichste ereignis der menschheitsgeschichte den Übergang vom leben als jäger und sammler zum sesshaften dasein mit ackerbau und viehzucht das nicht nur zu fortschritt sondern auch zu ungleichheit patriarchat und großen anonymen gesellschaften führte

die bibel und die echte menschheitsgeschichte religion orf at - Jun 02 2022

web bibel und evolutionslehre das sind zwei sphären die wie gegensätze scheinen doch wie die menschheitsgeschichte im buch der bücher ihren niederschlag fand davon erzählt die neuerscheinung das tagebuch der menschheit

die bibel als tagebuch der menschheit rundfunk evangelisch de - Oct 06 2022

web die großen erzählungen im tagebuch der menschheit die geschichten von der sintflut vom turmbau zu babel von abraham und seinen söhnen von jakob und josef und den anderen gestalten des ersten buches mose zeigen wie sich die verehrung des einen gottes entwickelte