

**SIEMENS**

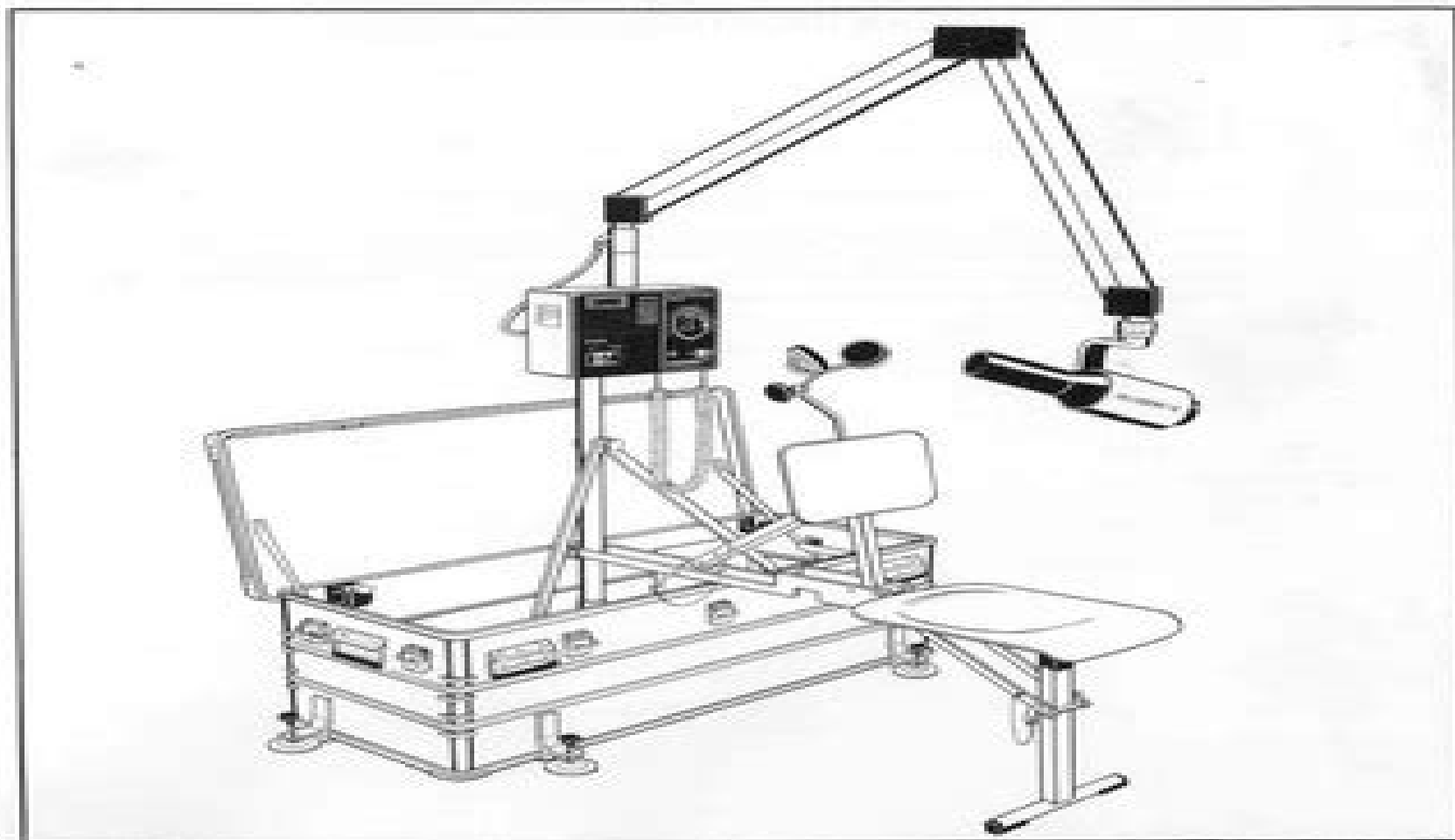
**PORTARAY**

**HELIODENT<sup>®</sup> 70**

with **DENTOTIME**

Model D3152 50/60 HZ Operation

**Maintenance Instructions**



# Heliodent70 Installation Manual

**JE Gale**



## **Heliodent70 Installation Manual:**

Yeah, reviewing a ebook **Heliudent70 Installation Manual** could go to your close links listings. This is just one of the solutions for you to be successful. As understood, carrying out does not suggest that you have extraordinary points.

Comprehending as competently as settlement even more than additional will give each success. neighboring to, the message as well as sharpness of this Heliudent70 Installation Manual can be taken as competently as picked to act.

[https://staging.conocer.cide.edu/book/scholarship/index.jsp/Middle\\_School\\_Persuasive\\_Essay\\_Rubric.pdf](https://staging.conocer.cide.edu/book/scholarship/index.jsp/Middle_School_Persuasive_Essay_Rubric.pdf)

## **Table of Contents Heliudent70 Installation Manual**

1. Understanding the eBook Heliudent70 Installation Manual
  - The Rise of Digital Reading Heliudent70 Installation Manual
  - Advantages of eBooks Over Traditional Books
2. Identifying Heliudent70 Installation Manual
  - Exploring Different Genres
  - Considering Fiction vs. Non-Fiction
  - Determining Your Reading Goals
3. Choosing the Right eBook Platform
  - Popular eBook Platforms
  - Features to Look for in an Heliudent70 Installation Manual
  - User-Friendly Interface
4. Exploring eBook Recommendations from Heliudent70 Installation Manual
  - Personalized Recommendations
  - Heliudent70 Installation Manual User Reviews and Ratings
  - Heliudent70 Installation Manual and Bestseller Lists
5. Accessing Heliudent70 Installation Manual Free and Paid eBooks
  - Heliudent70 Installation Manual Public Domain eBooks
  - Heliudent70 Installation Manual eBook Subscription Services

- Heliodent70 Installation Manual Budget-Friendly Options
- 6. Navigating Heliodent70 Installation Manual eBook Formats
  - ePub, PDF, MOBI, and More
  - Heliodent70 Installation Manual Compatibility with Devices
  - Heliodent70 Installation Manual Enhanced eBook Features
- 7. Enhancing Your Reading Experience
  - Adjustable Fonts and Text Sizes of Heliodent70 Installation Manual
  - Highlighting and Note-Taking Heliodent70 Installation Manual
  - Interactive Elements Heliodent70 Installation Manual
- 8. Staying Engaged with Heliodent70 Installation Manual
  - Joining Online Reading Communities
  - Participating in Virtual Book Clubs
  - Following Authors and Publishers Heliodent70 Installation Manual
- 9. Balancing eBooks and Physical Books Heliodent70 Installation Manual
  - Benefits of a Digital Library
  - Creating a Diverse Reading Collection Heliodent70 Installation Manual
- 10. Overcoming Reading Challenges
  - Dealing with Digital Eye Strain
  - Minimizing Distractions
  - Managing Screen Time
- 11. Cultivating a Reading Routine Heliodent70 Installation Manual
  - Setting Reading Goals Heliodent70 Installation Manual
  - Carving Out Dedicated Reading Time
- 12. Sourcing Reliable Information of Heliodent70 Installation Manual
  - Fact-Checking eBook Content of Heliodent70 Installation Manual
  - Distinguishing Credible Sources
- 13. Promoting Lifelong Learning
  - Utilizing eBooks for Skill Development
  - Exploring Educational eBooks
- 14. Embracing eBook Trends

- Integration of Multimedia Elements
- Interactive and Gamified eBooks

### **Heliodent70 Installation Manual Introduction**

Heliodent70 Installation Manual Offers over 60,000 free eBooks, including many classics that are in the public domain. Open Library: Provides access to over 1 million free eBooks, including classic literature and contemporary works. Heliodent70 Installation Manual Offers a vast collection of books, some of which are available for free as PDF downloads, particularly older books in the public domain. Heliodent70 Installation Manual : This website hosts a vast collection of scientific articles, books, and textbooks. While it operates in a legal gray area due to copyright issues, its a popular resource for finding various publications. Internet Archive for Heliodent70 Installation Manual : Has an extensive collection of digital content, including books, articles, videos, and more. It has a massive library of free downloadable books. Free-eBooks Heliodent70 Installation Manual Offers a diverse range of free eBooks across various genres. Heliodent70 Installation Manual Focuses mainly on educational books, textbooks, and business books. It offers free PDF downloads for educational purposes. Heliodent70 Installation Manual Provides a large selection of free eBooks in different genres, which are available for download in various formats, including PDF. Finding specific Heliodent70 Installation Manual, especially related to Heliodent70 Installation Manual, might be challenging as theyre often artistic creations rather than practical blueprints. However, you can explore the following steps to search for or create your own Online Searches: Look for websites, forums, or blogs dedicated to Heliodent70 Installation Manual, Sometimes enthusiasts share their designs or concepts in PDF format. Books and Magazines Some Heliodent70 Installation Manual books or magazines might include. Look for these in online stores or libraries. Remember that while Heliodent70 Installation Manual, sharing copyrighted material without permission is not legal. Always ensure youre either creating your own or obtaining them from legitimate sources that allow sharing and downloading. Library Check if your local library offers eBook lending services. Many libraries have digital catalogs where you can borrow Heliodent70 Installation Manual eBooks for free, including popular titles. Online Retailers: Websites like Amazon, Google Books, or Apple Books often sell eBooks. Sometimes, authors or publishers offer promotions or free periods for certain books. Authors Website Occasionally, authors provide excerpts or short stories for free on their websites. While this might not be the Heliodent70 Installation Manual full book , it can give you a taste of the authors writing style. Subscription Services Platforms like Kindle Unlimited or Scribd offer subscription-based access to a wide range of Heliodent70 Installation Manual eBooks, including some popular titles.

## FAQs About Heliodent70 Installation Manual Books

**What is a Heliodent70 Installation Manual PDF?** A PDF (Portable Document Format) is a file format developed by Adobe that preserves the layout and formatting of a document, regardless of the software, hardware, or operating system used to view or print it. **How do I create a Heliodent70 Installation Manual PDF?** There are several ways to create a PDF: Use software like Adobe Acrobat, Microsoft Word, or Google Docs, which often have built-in PDF creation tools. **Print to PDF:** Many applications and operating systems have a "Print to PDF" option that allows you to save a document as a PDF file instead of printing it on paper. **Online converters:** There are various online tools that can convert different file types to PDF. **How do I edit a Heliodent70 Installation Manual PDF?** Editing a PDF can be done with software like Adobe Acrobat, which allows direct editing of text, images, and other elements within the PDF. Some free tools, like PDFescape or Smallpdf, also offer basic editing capabilities. **How do I convert a Heliodent70 Installation Manual PDF to another file format?** There are multiple ways to convert a PDF to another format: Use online converters like Smallpdf, Zamzar, or Adobe Acrobat's export feature to convert PDFs to formats like Word, Excel, JPEG, etc. Software like Adobe Acrobat, Microsoft Word, or other PDF editors may have options to export or save PDFs in different formats. **How do I password-protect a Heliodent70 Installation Manual PDF?** Most PDF editing software allows you to add password protection. In Adobe Acrobat, for instance, you can go to "File" -> "Properties" -> "Security" to set a password to restrict access or editing capabilities. **Are there any free alternatives to Adobe Acrobat for working with PDFs?** Yes, there are many free alternatives for working with PDFs, such as: LibreOffice: Offers PDF editing features. PDFsam: Allows splitting, merging, and editing PDFs. Foxit Reader: Provides basic PDF viewing and editing capabilities. **How do I compress a PDF file?** You can use online tools like Smallpdf, ILovePDF, or desktop software like Adobe Acrobat to compress PDF files without significant quality loss. Compression reduces the file size, making it easier to share and download. **Can I fill out forms in a PDF file?** Yes, most PDF viewers/editors like Adobe Acrobat, Preview (on Mac), or various online tools allow you to fill out forms in PDF files by selecting text fields and entering information. **Are there any restrictions when working with PDFs?** Some PDFs might have restrictions set by their creator, such as password protection, editing restrictions, or print restrictions. Breaking these restrictions might require specific software or tools, which may or may not be legal depending on the circumstances and local laws.

## Find Heliodent70 Installation Manual :

[middle school persuasive essay rubric](#)

[mid lesson practice page a unit 9 lesson 1](#)

[microwave engineering lab manual](#)

[miele s7580 vacuums owners manual](#)

**middle school essay contests 2014**

**microtek 9600xl scanners owners manual**

*miele callisto owners manual*

**miele microwave instruction manual**

[microsoft outlook web access login problems](#)

**microsoft office 2007 guide book**

**microsoft visio 20professional edition**

~~microwave sticky rice recipe~~

*microsoft excel 2007 manual*

*middle level multiple subjects praxis study guide*

**microsoft kin two cell phones accessory owners manual**

**Heliodent70 Installation Manual :**

**fundamentals of crystallography international unio** - Dec 26 2021

web jun 8 2023 fundamentals of crystallography international unio 2 10 downloaded from uniport edu ng on june 8 2023 by guest crystal structures and more abstract

*fundamentals of crystallography international union of* - Jul 13 2023

web fundamentals of crystallography c giacovazzo h l monaco d viterbo f scordari g gilli g zanotti m cattl edited by c giacovazzo dipartimento

*fundamentals of crystallography international unio pdf* - Sep 22 2021

[pdf international union of crystallography](#) - Apr 10 2023

web international union of crystallography 1992 crystallography 654 pages in recent years crystallographic techniques have found application in a wide range of subjects

*fundamentals of crystallography international union of* - Apr 29 2022

web jul 31 2023 fundamentals of crystallography international unio but end taking place in harmful downloads rather than enjoying a good pdf afterward a mug of coffee in the

**fundamentals of crystallography international unio copy** - Oct 24 2021



[fundamentals of crystallography 3rd edition by c giacovazzo](#) - Dec 06 2022

web fundamentals of crystallography iucr texts on crystallography no 2 by c giacovazzo h l monaco d viterbo f scordari g gilli g zanotti and m catti

[free fundamentals of crystallography international unio](#) - Jan 07 2023

web this book offers a comprehensive account of the wide range of crystallography in many branches of science the fundamentals the most frequently used procedures and

**fundamentals of crystallography international unio copy** - Aug 02 2022

web jul 22 2023 fundamentals of crystallography powder x ray diffraction and transmission electron microscopy for materials scientists dong zhili 2022 04 26 the

**fundamentals of crystallography international unio copy** - Feb 25 2022

web crystallography a compact disk has been added to this new edition offering the facilities of modern graphics to simulate experiments show complex images and provide a number

*iucr international union of crystallography* - Aug 14 2023

web the mission of the african crystallographic association is to contribute to the advancement of science on the african continent via crystallography in all its aspects including

*fundamentals of crystallography international unio pdf* - May 31 2022

web fundamentals of crystallography international unio fundamentals of crystallography international unio 1 downloaded from darelova com on 2023 01 18 by guest

**fundamentals of crystallography oxford academic** - May 11 2023

web iucr monographs on crystallography 1 accurate molecular structures a domenicano i hargittai editors 2 p p ewald and his dynamical theory of x ray diffraction pdf

**fundamentals of crystallography international unio pdf** - Nov 24 2021

web mar 8 2023 fundamentals of crystallography h l monaco 1992 offers a rigorous treatment of the theory of crystallography and detailed descriptions of experimental

[iucr fundamentals of crystallography iucr texts on](#) - Oct 04 2022

web 2 fundamentals of crystallography international unio 2020 01 25 a revised and updated english edition of a textbook based on teaching at the final year undergraduate

*fundamentals of crystallography international unio theo hahn* - Mar 29 2022

web ease as acuteness of this fundamentals of crystallography international unio can be taken as competently as picked to act industrial applications of x ray diffraction

[fundamentals of crystallography international unio](#) - Jan 27 2022

web jul 12 2023 fundamentals of crystallography international unio 2 11 downloaded from uniport edu ng on july 12 2023  
by guest point group level the implications of the

[fundamentals of crystallography google books](#) - Nov 05 2022

web amazon in buy fundamentals of crystallography international union of crystallography texts on crystallography book  
online at best prices in india on

[fundamentals of crystallography international union](#) - Mar 09 2023

web fundamentals of crystallography international unio international union of crystallography commission on  
crystallographic teaching nov 09 2021 the basics of

**fundamentals of crystallography international unio pdf** - Jul 01 2022

web jun 16 2023 torino that you are looking for download the fundamentals of crystallography international union of  
crystallography monographs on

**fundamentals of crystallography international union of** - Jun 12 2023

web feb 10 2011 giacovazzo carmelo and others fundamentals of crystallography 3rd edn international union of  
crystallography texts on crystallography oxford 2011

[fundamentals of crystallography google books](#) - Feb 08 2023

web fundamentals of crystallography 3rd edition by c giacovazzo h l monaco g artioli d viterbo m milanese g ferraris g gilli p  
gilli g zanotti and m catti edited by c

[buy fundamentals of crystallography international union of](#) - Sep 03 2022

web crystallography may be described as the science of the structure of materi als using this word in its widest sense and its  
ramifications are apparent over a broad front of current

**wall section details fox blocks caddetails** - Apr 27 2023

web download thousands of free detailed design planning documents including 2d cad drawings 3d models bim files and  
three part specifications in one place footing detail has cad has 3d has specification has about has media has education share  
2 stepped footing has cad has specification has about has media has education

[reinforced concrete footings in autocad cad library](#) - Jun 17 2022

web multifamily housing covintec steel and glass covers wooden structures prefabricated concrete pladur plaster partition 3d  
trees indoor plants in 3d free download reinforced concrete footings in autocad dwg blocks and bim objects for

[concrete footings in autocad cad library librería cad](#) - May 17 2022

web concrete footings description save construction details of footings top view elevation and axonometry format dwg file

size 196 25 kb download dwg

[exterior concret slab footing and exterior wall cad](#) - Feb 23 2023

web exterior concret slab footing and exterior wall planmarketplace your source for quality cad files plans and details

**exterior non structural surfacing caddetails caddetails** - Jun 29 2023

web caddetails listings 3d models projects exterior non structural surfacing listings cad files bim 3d files 1 angle iron post to beam connection 2 beam to footing w metal post anchor 3 bridge crossing section elevation 4 built up post and deck connection 5 deck and rail 6 deck w extended post rail 7 double beam bolted to post 8

**exterior concrete footing cad details** - Mar 15 2022

web exterior concrete footing cad details downloaded from duckhunter chevignon com co by guest kenyon brenden residential design using autocad 2014 john wiley sons technical drawing 101 covers topics ranging from the most basic such as making freehand multiview sketches of machine parts to the advanced creating an autocad dimension

**free cad details these cad drawings are free download now** - Jul 31 2023

web free cad details these cad drawings are free download now spend more time designing and less time drawing we are dedicated to be the best cad resource for architects interior designer and landscape designers free cad details precast concrete slab detail iso regular price 0 00 free cad details footing to

*foundations on autocad 1333 free cad blocks bibliocad* - Sep 01 2023

web 1333 foundations cad blocks for free download dwg autocad rvt revit skp sketchup and other cad software search concrete 901 construction details assorted sections 1120 floors 241 foundations 1319 humidities control 16 footing foundation of flea market columns dwg 2 6k shed flat footings dwg 2 3k foundation

[exterior concrete footing cad details pdf cdn writermag](#) - Apr 15 2022

web 4 exterior concrete footing cad details 2022 06 14 throughout the rest of the book you will design a residence through to its completion using step by step tutorial lessons the residential project is followed through to create elevations sections details etc throughout

**exterior footing detail cad files dwg files plans and details** - Jan 25 2023

web exterior footing detail this is a typical 8 cmu exterior wall footing detail on slab add to wish list 3 00 purchase gallery images plan category concrete details units detail

**download free high quality cad drawings caddetails** - Oct 22 2022

web find 500 000 high quality cad drawings to use in your projects for free

**exterior concrete footing cad details graph safehousetech** - Dec 24 2022

web 4 exterior concrete footing cad details 2023 07 07 through to its completion using step by step tutorial lessons the

residential project is followed through to create elevations sections details etc throughout the project new autocad commands are covered at the appropriate time focus is placed

*footing reinforcement details thousands of free cad* - Mar 27 2023

web download this free cad model block footing concrete reinforcement details this dwg block can be used in your footing design detailed cad drawings with concrete reinforcement information autocad 2015 dwg format write your own review footing reinforcement details

**exterior concrete footing cad details secure4 khronos** - Sep 20 2022

web may 16 2023 exterior concrete footing cad details secure4 khronos org keywords white paper footing to wall connections rv garage plan with living quarters 23243jd wbdg wbdg whole building design guide cad forum cad bim library of free blocks concrete cype 3d steel aluminium and wood structures foundation sample

**exterior concrete footing cad details smtp ablogtwatch** - Nov 22 2022

web exterior concrete footing cad details downloaded from smtp ablogtwatch com by guest colon mila mastering autodesk revit architecture 2014 john wiley sons modern residential construction practices provides easy to read comprehensive and highly illustrated coverage of residential building construction practices that conform to industry

**exterior concrete footing cad details** - Aug 20 2022

web exterior concrete footing cad details insulated concrete forms typical detail cad drawings the process of design construction documents moss foundation sample drawings autocad details rv garage plan with living quarters 23243jd dwyer companies residential exterior and interior may 7th 2018 wet basement causing

[exterior concrete footing cad details pdf portal nivbook co](#) - May 29 2023

web exterior concrete footing cad details downloaded from portal nivbook co il by guest kline glass mastering autodesk revit architecture 2011 sdc publications residential design using autocad 2016 is an introductory level tutorial which uses residential design exercises as the means to teach you autocad 2016 each book comes with a disc

[footing section in autocad cad download 83 49 kb bibliocad](#) - Feb 11 2022

web footing section dwg footing section viewer paula boixader detail section of brace footing armed concrete library construction details foundations download dwg premium 83 49 kb

**cad details drawings ab fence bowers brothers concrete** - Jul 19 2022

web bowers brothers ltd head office 51 lorne street morrinsville 3300 0800 207 374 sales bowersbrothers co nz nzbn 9429040146379

**foundation sample drawings autocad details** - Oct 02 2023

web foundation sample drawings aec construction details autocad dwg forma t autocad details dwg and dxf formatted cad

detail files available for free viewing and downloading

*l anatomie en orthophonie parole da c glutition e pdf* - Feb 26 2022

web jul 23 2023 l anatomie et à la physiologie de la voix et de la parole il comporte des descriptions anatomiques précises illustrées de nombreux schémas permettant de se faire une image

*l anatomie en orthophonie parole da c glutition e pdf pdf* - Sep 04 2022

web cet ouvrage s adresse aux orthophonistes en formation et en exercice aux professionnels impliqués dans la prise en charge des troubles de l oralité alimentaire et verbale et aux parents désireux de mieux appréhender les difficultés d alimentation et de parole de leur enfant

**l anatomie en orthophonie parole da c glutition e pdf** - Jan 08 2023

web l essentiel des bases anatomiques de la production de la parole de la déglutition et de l audition dans leur fonctionnement normal et de donner ainsi une assise pour le diagnostic et le traitement de l expression pathologique de ces fonctions pour cette 4e édition de l anatomie en orthophonie en plus

*l anatomie en orthophonie parole da c glutition e download* - Jul 02 2022

web 4 l anatomie en orthophonie parole da c glutition e 2022 06 15 d importance aux notions susceptibles d apporter une aide a la reeducation ou a l entrainement le dernier chapitre consacre a la dynamique de voix implicatrice dite de projection vocale interressera tout particulierement les professionnels de la parole destine aux orthophonistes

*l anatomie en orthophonie parole da c glutition e 2022* - Jan 28 2022

web rather than enjoying a fine pdf later than a mug of coffee in the afternoon on the other hand they juggled following some harmful virus inside their computer l anatomie en orthophonie parole da c glutition e is manageable in our digital library an online admission to it is set as public hence you can download it instantly

**l anatomie en orthophonie parole da c glutition e pdf** - Mar 30 2022

web jun 23 2023 l anatomie en orthophonie parole da c glutition e 2 7 downloaded from uniport edu ng on june 23 2023 by guest épanouissement de sa réussite scolaire que de son insertion professionnelle future cet ouvrage permettra au lecteur d appréhender les troubles spécifiques du langage écrit et les différentes prises en charge possibles de

**l anatomie en orthophonie parole da c glutition e uniport edu** - Oct 05 2022

web jul 27 2023 l anatomie en orthophonie parole da c glutition e 2 8 downloaded from uniport edu ng on july 27 2023 by guest éthique en orthophonie mireille kerlan 2016 06 10 l orthophoniste côtoie de nombreux patients qui ont leur propre histoire et leurs propres représentations sociales et culturelles la

**l anatomie en orthophonie parole da c glutition e download** - Jun 13 2023

web l anatomie en orthophonie de boeck supérieur cet ouvrage volume 1 concerne l anatomie et la physiologie des organes

de la voix et de la parole il comporte des descriptions anatomiques précises illustrées de nombreux schémas permettant de se faire une image correcte et durable de l'instrument vocal la physiologie est envisagée avec une

**l'anatomie en orthophonie parole déglutition et audition 3ème** - Jul 14 2023

web cet ouvrage de référence est à la fois un atlas agréable à consulter et une somme des connaissances de base indispensables aux étudiants ainsi qu'aux cliniciens et chercheurs soucieux de comprendre l'anatomie et la physiologie de la parole de la voix de la déglutition et de l'audition et le système respiratoire

**l'anatomie en orthophonie parole déglutition et audition** - Apr 11 2023

web jul 6 2016 l'anatomie en orthophonie parole déglutition et audition french edition 9782294747540 pour cette 3e édition de l'anatomie en orthophonie l'auteur a effectué une revue minutieuse de son texte et a souhaité mettre l'accent sur les processus physiologiques clés

[l'anatomie en orthophonie parole da c glutition e full pdf](#) - Dec 07 2022

web l'anatomie en orthophonie parole da c glutition e 1 l'anatomie en orthophonie parole da c glutition e this is likewise one of the factors by obtaining the soft documents of this l'anatomie en orthophonie parole da c glutition e by online you might not require more mature to spend to go to the book foundation as well as search for them

**orthophonie wikipédia** - Feb 09 2023

web l'orthophonie ortho droit phonè son ou logopédie logos parole paideia éducation en belgique et en suisse est une profession paramédicale pratiquée par des orthophonistes uniquement avec prescription médicale en france et au canada des logopèdes en belgique et des logopédistes en suisse et liée à un champ d'expertises et

[l'anatomie en orthophonie parole da c glutition e old vulkk](#) - Aug 03 2022

web donavan amir la lecture labiale en groupe de boeck supérieur ce livre à la fois fonctionnel et pratique synthèse de pratiques professionnelles de terrain aborde l'ensemble des pathologies liées aux troubles oro myofonctionnels chez l'enfant et chez l'adulte il suit rigoureusement le référentiel français de

**l'anatomie en orthophonie parole da c glutition e pdf pdf** - Aug 15 2023

web l'objectif de cet ouvrage est d'offrir l'essentiel des bases anatomiques de la production de la parole de la déglutition et de l'audition dans leur fonctionnement normal et de donner ainsi une assise pour le diagnostic et le traitement de l'expression pathologique de

**l'anatomie en orthophonie parole da c glutition e pdf** - Apr 30 2022

web jul 24 2023 anatomie en orthophonie parole da c glutition e appropriately simple orthophonie et oralité catherine thibault 2017 11 21 cet ouvrage pédagogique présente une approche originale et pionnière de la sphère oro faciale autour de l'organe lingual À partir des connaissances du

**l anatomie en orthophonie parole da c glutition e various copy** - Mar 10 2023

web sharpness of this l anatomie en orthophonie parole da c glutition e can be taken as competently as picked to act adolescent and adult psychoeducational profile aaep 1988 the frequency following response nina kraus 2017 01 09 this volume will cover a variety of topics including child language

**l anatomie en orthophonie parole da c glutition e alex f** - Dec 27 2021

web books in the manner of this one merely said the l anatomie en orthophonie parole da c glutition e is universally compatible behind any devices to read the oxford handbook of assertion sanford c goldberg 2020 03 17 assertions belong to the family of speech acts that make claims regarding how things are they include

**l anatomie en orthophonie parole da c glutition e** - Nov 06 2022

web l anatomie en orthophonie parole da c glutition e english visible speech jun 16 2020 one of the original claims of visible speech was to teach reading in a fraction of the time required with common letters by means of this little book the claim may now be put to the test of experiment children and others who master

**l anatomie en orthophonie parole da c glutition e old vulkk** - Jun 01 2022

web 2 l anatomie en orthophonie parole da c glutition e 2023 06 15 l élaboration d un protocole thérapeutique informatisé basé sur le feedback visuel appuyé sur des données théoriques permet la prise en charge de différentes perturbations acoustiques de la voix pathologique paralysies récurrentielle unilatérale

**l anatomie en orthophonie livre 9782294768187 elsevier** - May 12 2023

web cet ouvrage de référence est à la fois un atlas agréable à consulter et une somme des connaissances de base indispensables aux étudiants ainsi qu'aux cliniciens et chercheurs soucieux de comprendre l'anatomie et la physiologie de la parole de la voix de la déglutition et de l'audition