

Question 1

Stress analysis of a thick-walled cylinder

Figure 1 shows the stress analysis of a thick-walled cylinder under internal pressure. The cylinder has an inner radius  $r_i$  and an outer radius  $r_o$ . The radial stress  $\sigma_r$  and the hoop stress  $\sigma_\theta$  are shown as functions of the radius  $r$ .

$$\sigma_r = \frac{p_i r_i^2}{r^2} \left( 1 - \frac{r_o^2}{r^2} \right)$$

$$\sigma_\theta = \frac{p_i r_i^2}{r^2} \left( 1 + \frac{r_o^2}{r^2} \right)$$

Figure 2 shows the stress analysis of a thick-walled cylinder under internal pressure. The cylinder has an inner radius  $r_i$  and an outer radius  $r_o$ . The radial stress  $\sigma_r$  and the hoop stress  $\sigma_\theta$  are shown as functions of the radius  $r$ .

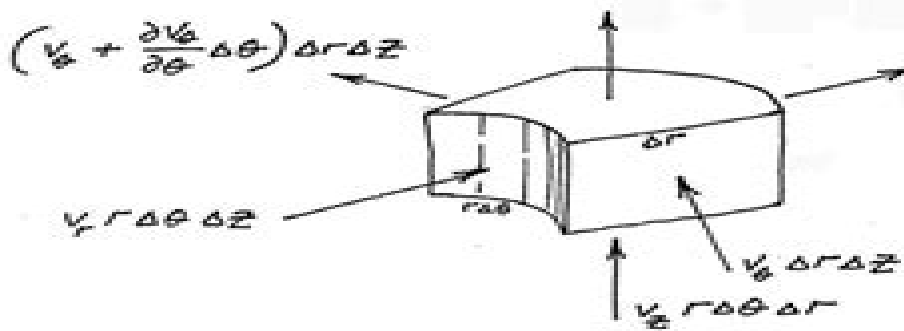
$$\sigma_r = \frac{p_i r_i^2}{r^2} \left( 1 - \frac{r_o^2}{r^2} \right)$$

Figure 3 shows the stress analysis of a thick-walled cylinder under internal pressure. The cylinder has an inner radius  $r_i$  and an outer radius  $r_o$ . The radial stress  $\sigma_r$  and the hoop stress  $\sigma_\theta$  are shown as functions of the radius  $r$ .

$$\sigma_\theta = \frac{p_i r_i^2}{r^2} \left( 1 + \frac{r_o^2}{r^2} \right)$$

Figure 4 shows the stress analysis of a thick-walled cylinder under internal pressure. The cylinder has an inner radius  $r_i$  and an outer radius  $r_o$ . The radial stress  $\sigma_r$  and the hoop stress  $\sigma_\theta$  are shown as functions of the radius  $r$ . The radial stress  $\sigma_r$  is zero at the inner radius  $r_i$  and the outer radius  $r_o$ . The hoop stress  $\sigma_\theta$  is maximum at the inner radius  $r_i$  and minimum at the outer radius  $r_o$ .

Figure 5 shows the stress analysis of a thick-walled cylinder under internal pressure. The cylinder has an inner radius  $r_i$  and an outer radius  $r_o$ . The radial stress  $\sigma_r$  and the hoop stress  $\sigma_\theta$  are shown as functions of the radius  $r$ .



# Heat Transfer Solutions Manual 4th

**Adrian Bejan**



## Heat Transfer Solutions Manual 4th:

**Solutions Manual for Heat Transfer** Y.V. Rao,2002 This manual contains complete and detailed worked out solutions for all the problems given at the end of each chapter in the book Heat Transfer hereinafter referred to as the Text All the problems can be solved by direct application of the principle presented in the Text This manual will serve as a handy reference to users of the Text *Solutions Manual to Accompany Fundamentals of Heat and Mass Transfer, 4th Ed. and Introduction to Heat Transfer, 3rd Ed* Frank P. Incropera,David P. DeWitt,1996 *Solutions Manual and Computer Programs for Physical and Computational Aspects of Convective Heat Transfer* Tuncer Cebeci,P. Bradshaw,2013-11-11 This book is designed to accompany Physical and Computational Aspects of Convective Heat Transfer by T Cebeci and P Bradshaw and contains solutions to the exercises and computer programs for the numerical methods contained in that book Physical and Computational Aspects of Convective Heat Transfer begins with a thorough discussion of the physical aspects of convective heat transfer and presents in some detail the partial differential equations governing the transport of thermal energy in various types of flows The book is intended for senior undergraduate and graduate students of aeronautical chemical civil and mechanical engineering It can also serve as a reference for the practitioner **Solutions Manual to Accompany Applied Mathematics and Modeling for Chemical Engineers** Richard G. Rice,Duong D. Do,James E. Maneval,2023-05-09 This book is a Solutions Manual to accompany Applied Mathematics and Modeling for Chemical Engineers Third Edition There are many examples provided as homework in the original text and the solution manual provides detailed solutions of many of these problems that are in the parent book Applied Mathematics and Modeling for Chemical Engineers Third Edition *Solutions Manual for the Mechanical Engineering Reference Manual* Michael R. Lindeburg,1998 When you re studying for the PE examination using the Mechanical Engineering Reference Manual you ll be working many practice problems Don t miss the opportunity to check your work This Solutions Manual provides step by step solutions to nearly 350 practice problems in the Reference Manual fully explaining each solution process Solutions are given in the SI and English units [Student Solutions Manual to accompany Advanced Engineering Mathematics](#) Warren S. Wright,2010-06-24 *Solutions Manual for The Dynamics of Heat* Hans U. Fuchs,2012-12-06 This manual contains detailed solutions of slightly more than half of the end of chapter problems in The Dynamics of Heat The numbers of the problems included here are listed on the following page A friend who knows me well noticed that I have included only those problems which I could actually solve myself Also to make things more interesting I have built random errors into the solutions If you find any of them please let me know Also if you have different ways of solving a problem I would be happy to hear from you Any feedback also on the book in general would be greatly appreciated There is an Errata sheet for the first printing of The Dynamics of Heat By the time you read this it should be available on the Internet for you to download A reference to the URL of the sheet can be found in the announcement of my book on Springer s WWWpages [www.springer-ny.com](http://www.springer-ny.com) Winterthur 1996

Hans Fuchs vi Numbers of Problems Solved Prologue 1 2 4 5 6 8 12 13 17 19 23 25 27 30 32 33 34 38 39 40 42 44 47 49 50  
53 55 60 61 62 Chapter 1 2 4 5 8 9 11 13 15 16 17 18 20 21 24 26 27 29 31 33 34 37 39 41 42 44 45 47 49 51 53 55 57 58 60  
62 Chapter 2 1 3 5 6 7 9 10 12 14 15 16 17 19 20 22 23 24 26 27 29 30 32 33 36 37 38 41 42 46 47 49 Interlude 2 3 4 5 6 8  
10 11 12 13 18 19 20 21 23 24 28 Chapter 3 2 4 6 8 10 12 15 16 17 18 22 24 25 28 30 31 35 36 Chapter 4 1 2 4 6 8 9 11 12  
13 15 18 20 21 22 25 27 28 29 30 31 33 34 35 39 40 43 44 46 Epilogue 1 2 11 PROLOGUE Solutions of Selected Problems 2  
PROLOGUE Problem 1 Calculate the hydraulic capacitance of a glass tube used in a mercury pressure gauge The inner  
diameter of the tube is 8 0 mm *The Practice of Chemistry Study Guide & Solutions Manual* Pamela Mills, Amina  
El-Ashmawy, 2003-04-14 Designed to help students understand the material better and avoid common mistakes Also includes  
solutions and explanations to odd numbered exercises **Convection Heat Transfer** Adrian Bejan, 2013-03-28 A new  
edition of the bestseller on convection heat transfer A revised edition of the industry classic Convection Heat Transfer Fourth  
Edition chronicles how the field of heat transfer has grown and prospered over the last two decades This new edition is more  
accessible while not sacrificing its thorough treatment of the most up to date information on current research and  
applications in the field One of the foremost leaders in the field Adrian Bejan has pioneered and taught many of the methods  
and practices commonly used in the industry today He continues this book's long standing role as an inspiring optimal study  
tool by providing Coverage of how convection affects performance and how convective flows can be configured so that  
performance is enhanced How convective configurations have been evolving from the flat plates smooth pipes and single  
dimension fins of the earlier editions to new populations of configurations tapered ducts plates with multiscale features  
dendritic fins duct and plate assemblies packages for heat transfer density and compactness etc New updated and enhanced  
examples and problems that reflect the author's research and advances in the field since the last edition A solutions manual  
Complete with hundreds of informative and original illustrations Convection Heat Transfer Fourth Edition is the most  
comprehensive and approachable text for students in schools of mechanical engineering **Solutions Manual to**  
**Accompany Physical Chemistry for the Life Sciences** C. A. Trapp, M. P. Cady, 2011 This solutions manual contains fully  
worked solutions to all end of chapter discussion questions and exercises featured in Physical Chemistry for the Life Sciences  
**Vector Calculus Study Guide & Solutions Manual** Karen Pao, Frederick Soon, 2003-08-22 Includes solutions to  
selected exercises and study hints **Solutions Manual to accompany Fundamentals of Matrix Analysis with**  
**Applications** Edward Barry Saff, Arthur David Snider, 2016-04-06 Solutions Manual to accompany Fundamentals of Matrix  
Analysis with Applications an accessible and clear introduction to linear algebra with a focus on matrices and engineering  
applications **Operator's, Organizational, Direct Support, General Support, and Depot Maintenance Manual**  
**(including Repair Parts Information and Supplemental Maintenance Instructions) for Crane, Truck Mounted,**  
**Hydraulic, 25 Ton (CCE), Harnischfeger Model MT-250, Non-winterized ...**, 1989 **Chemical Engineering Design**

Ray Sinnott,2014-06-28 This 2nd Edition of Coulson agitated vessels are now covered and the discussion of fired heaters and plate heat exchangers extended The appendices have been extended to include a computer program for energy balances illustrations of equipment specification sheets and heat exchanger tube layout diagrams This 2nd Edition will continue to provide undergraduate students of chemical engineering chemical engineers in industry and chemists and mechanical engineers who have to tackle problems arising in the process industries with a valuable text on how a complete process is designed and how it must be fitted into the environment *Solutions Manual to accompany Engineering Materials Science*

Milton Ohring,2014-06-28 *Solutions Manual to Accompany Engineering Materials Science* provides information pertinent to the fundamental aspects of materials science This book presents a compilation of solutions to a variety of problems or issues in engineering materials science Organized into 15 chapters this book begins with an overview of the approximate added value in a contact lens manufactured from a polymer This text then examines several problems based on the electron energy levels for various elements Other chapters explain why the lattice constants of materials can be determined with extraordinary precision by X ray diffraction but with constantly less precision and accuracy using electron diffraction techniques This book discusses as well the formula for the condensation reaction between urea and formaldehyde to produce thermosetting urea formaldehyde The final chapter deals with the similarities between electrically and mechanically functional materials with regard to reliability issues This book is a valuable resource for engineers students and research workers **Solutions Manual to Accompany General Chemistry, Fourth Edition, and General Chemistry with Qualitative Analysis, Fourth Edition, Whitten, Gailey, Davis**

Yi-Noo Tang,Wendy L. Keeney-Kennicutt,1992 **Student Solutions Manual to Accompany Atkins' Physical Chemistry** Peter Bolgar,Haydn Lloyd,James Keeler,Aimee North,Vladimiras Oleinikovas,Stephanie Smith,2018 The Student Solutions Manual to accompany Atkins Physical Chemistry 11th Edition provides full worked solutions to the a exercises and the odd numbered discussion questions and problems presented in the parent book The manual is intended for students and provides helpful comments and friendly advice to aid understanding **Student Solutions Manual for Physical Chemistry** C. A. Trapp,Peter Atkins,Julio dePaula,2009-12-18 With its modern emphasis on the molecular view of physical chemistry its wealth of contemporary applications vivid full color presentation and dynamic new media tools the thoroughly revised new edition is again the most modern most effective full length textbook available for the physical chemistry classroom Available in Split Volumes For maximum flexibility in your physical chemistry course this text is now offered as a traditional text or in two volumes Volume 1 Thermodynamics and Kinetics ISBN 1 4292 3127 0 Volume 2 Quantum Chemistry Spectroscopy and Statistical Thermodynamics ISBN 1 4292 3126 2 *Fluid Mechanics* Bijay Sultanian,2015-07-28 *Fluid Mechanics An Intermediate Approach* addresses the problems facing engineers today by taking on practical rather than theoretical problems Instead of following an approach that focuses on mathematics first this book allows you to develop an intuitive physical understanding of various fluid flows including internal

compressible flows with s      **Solutions Manual for an Introduction to Thermodynamics** Y.V.C. Rao,2005-02 This manual contains the complete solution for all the 505 chapter end problems in the textbook An Introduction to Thermodynamics and will serve as a handy reference to teachers as well as students The data presented in the form of tables and charts in the main textbook are made use of in this manual for solving the problems

## Whispering the Strategies of Language: An Emotional Journey through **Heat Transfer Solutions Manual 4th**

In a digitally-driven world where monitors reign great and instant conversation drowns out the subtleties of language, the profound strategies and emotional subtleties concealed within phrases frequently go unheard. However, set within the pages of **Heat Transfer Solutions Manual 4th** a fascinating literary treasure blinking with organic thoughts, lies an extraordinary quest waiting to be undertaken. Written by an experienced wordsmith, that wonderful opus encourages visitors on an introspective trip, softly unraveling the veiled truths and profound impact resonating within ab muscles material of every word. Within the mental depths of the poignant review, we will embark upon a honest exploration of the book is core styles, dissect its charming writing design, and yield to the effective resonance it evokes serious within the recesses of readers hearts.

[https://staging.conocer.cide.edu/book/browse/Download\\_PDFS/From\\_Organic\\_Chemistry\\_To\\_Macromolecules\\_A\\_Scientific\\_Autobiography.pdf](https://staging.conocer.cide.edu/book/browse/Download_PDFS/From_Organic_Chemistry_To_Macromolecules_A_Scientific_Autobiography.pdf)

### **Table of Contents Heat Transfer Solutions Manual 4th**

1. Understanding the eBook Heat Transfer Solutions Manual 4th
  - The Rise of Digital Reading Heat Transfer Solutions Manual 4th
  - Advantages of eBooks Over Traditional Books
2. Identifying Heat Transfer Solutions Manual 4th
  - Exploring Different Genres
  - Considering Fiction vs. Non-Fiction
  - Determining Your Reading Goals
3. Choosing the Right eBook Platform
  - Popular eBook Platforms
  - Features to Look for in an Heat Transfer Solutions Manual 4th
  - User-Friendly Interface
4. Exploring eBook Recommendations from Heat Transfer Solutions Manual 4th

- Personalized Recommendations
  - Heat Transfer Solutions Manual 4th User Reviews and Ratings
  - Heat Transfer Solutions Manual 4th and Bestseller Lists
5. Accessing Heat Transfer Solutions Manual 4th Free and Paid eBooks
    - Heat Transfer Solutions Manual 4th Public Domain eBooks
    - Heat Transfer Solutions Manual 4th eBook Subscription Services
    - Heat Transfer Solutions Manual 4th Budget-Friendly Options
  6. Navigating Heat Transfer Solutions Manual 4th eBook Formats
    - ePub, PDF, MOBI, and More
    - Heat Transfer Solutions Manual 4th Compatibility with Devices
    - Heat Transfer Solutions Manual 4th Enhanced eBook Features
  7. Enhancing Your Reading Experience
    - Adjustable Fonts and Text Sizes of Heat Transfer Solutions Manual 4th
    - Highlighting and Note-Taking Heat Transfer Solutions Manual 4th
    - Interactive Elements Heat Transfer Solutions Manual 4th
  8. Staying Engaged with Heat Transfer Solutions Manual 4th
    - Joining Online Reading Communities
    - Participating in Virtual Book Clubs
    - Following Authors and Publishers Heat Transfer Solutions Manual 4th
  9. Balancing eBooks and Physical Books Heat Transfer Solutions Manual 4th
    - Benefits of a Digital Library
    - Creating a Diverse Reading Collection Heat Transfer Solutions Manual 4th
  10. Overcoming Reading Challenges
    - Dealing with Digital Eye Strain
    - Minimizing Distractions
    - Managing Screen Time
  11. Cultivating a Reading Routine Heat Transfer Solutions Manual 4th
    - Setting Reading Goals Heat Transfer Solutions Manual 4th
    - Carving Out Dedicated Reading Time
  12. Sourcing Reliable Information of Heat Transfer Solutions Manual 4th



- Fact-Checking eBook Content of Heat Transfer Solutions Manual 4th
  - Distinguishing Credible Sources
13. Promoting Lifelong Learning
- Utilizing eBooks for Skill Development
  - Exploring Educational eBooks
14. Embracing eBook Trends
- Integration of Multimedia Elements
  - Interactive and Gamified eBooks

### **Heat Transfer Solutions Manual 4th Introduction**

Heat Transfer Solutions Manual 4th Offers over 60,000 free eBooks, including many classics that are in the public domain. Open Library: Provides access to over 1 million free eBooks, including classic literature and contemporary works. Heat Transfer Solutions Manual 4th Offers a vast collection of books, some of which are available for free as PDF downloads, particularly older books in the public domain. Heat Transfer Solutions Manual 4th : This website hosts a vast collection of scientific articles, books, and textbooks. While it operates in a legal gray area due to copyright issues, its a popular resource for finding various publications. Internet Archive for Heat Transfer Solutions Manual 4th : Has an extensive collection of digital content, including books, articles, videos, and more. It has a massive library of free downloadable books. Free-eBooks Heat Transfer Solutions Manual 4th Offers a diverse range of free eBooks across various genres. Heat Transfer Solutions Manual 4th Focuses mainly on educational books, textbooks, and business books. It offers free PDF downloads for educational purposes. Heat Transfer Solutions Manual 4th Provides a large selection of free eBooks in different genres, which are available for download in various formats, including PDF. Finding specific Heat Transfer Solutions Manual 4th, especially related to Heat Transfer Solutions Manual 4th, might be challenging as theyre often artistic creations rather than practical blueprints. However, you can explore the following steps to search for or create your own Online Searches: Look for websites, forums, or blogs dedicated to Heat Transfer Solutions Manual 4th, Sometimes enthusiasts share their designs or concepts in PDF format. Books and Magazines Some Heat Transfer Solutions Manual 4th books or magazines might include. Look for these in online stores or libraries. Remember that while Heat Transfer Solutions Manual 4th, sharing copyrighted material without permission is not legal. Always ensure youre either creating your own or obtaining them from legitimate sources that allow sharing and downloading. Library Check if your local library offers eBook lending services. Many libraries have digital catalogs where you can borrow Heat Transfer Solutions Manual 4th eBooks for free, including popular titles. Online Retailers: Websites like Amazon, Google Books, or Apple Books often sell eBooks. Sometimes, authors or

publishers offer promotions or free periods for certain books. Authors Website Occasionally, authors provide excerpts or short stories for free on their websites. While this might not be the Heat Transfer Solutions Manual 4th full book, it can give you a taste of the authors writing style. Subscription Services Platforms like Kindle Unlimited or Scribd offer subscription-based access to a wide range of Heat Transfer Solutions Manual 4th eBooks, including some popular titles.

### **FAQs About Heat Transfer Solutions Manual 4th Books**

How do I know which eBook platform is the best for me? Finding the best eBook platform depends on your reading preferences and device compatibility. Research different platforms, read user reviews, and explore their features before making a choice. Are free eBooks of good quality? Yes, many reputable platforms offer high-quality free eBooks, including classics and public domain works. However, make sure to verify the source to ensure the eBook credibility. Can I read eBooks without an eReader? Absolutely! Most eBook platforms offer webbased readers or mobile apps that allow you to read eBooks on your computer, tablet, or smartphone. How do I avoid digital eye strain while reading eBooks? To prevent digital eye strain, take regular breaks, adjust the font size and background color, and ensure proper lighting while reading eBooks. What the advantage of interactive eBooks? Interactive eBooks incorporate multimedia elements, quizzes, and activities, enhancing the reader engagement and providing a more immersive learning experience. Heat Transfer Solutions Manual 4th is one of the best book in our library for free trial. We provide copy of Heat Transfer Solutions Manual 4th in digital format, so the resources that you find are reliable. There are also many Ebooks of related with Heat Transfer Solutions Manual 4th. Where to download Heat Transfer Solutions Manual 4th online for free? Are you looking for Heat Transfer Solutions Manual 4th PDF? This is definitely going to save you time and cash in something you should think about. If you trying to find then search around for online. Without a doubt there are numerous these available and many of them have the freedom. However without doubt you receive whatever you purchase. An alternate way to get ideas is always to check another Heat Transfer Solutions Manual 4th. This method for see exactly what may be included and adopt these ideas to your book. This site will almost certainly help you save time and effort, money and stress. If you are looking for free books then you really should consider finding to assist you try this. Several of Heat Transfer Solutions Manual 4th are for sale to free while some are payable. If you arent sure if the books you would like to download works with for usage along with your computer, it is possible to download free trials. The free guides make it easy for someone to free access online library for download books to your device. You can get free download on free trial for lots of books categories. Our library is the biggest of these that have literally hundreds of thousands of different products categories represented. You will also see that there are specific sites catered to different product types or categories, brands or niches related with Heat Transfer Solutions Manual 4th. So

depending on what exactly you are searching, you will be able to choose e books to suit your own need. Need to access completely for Campbell Biology Seventh Edition book? Access Ebook without any digging. And by having access to our ebook online or by storing it on your computer, you have convenient answers with Heat Transfer Solutions Manual 4th To get started finding Heat Transfer Solutions Manual 4th, you are right to find our website which has a comprehensive collection of books online. Our library is the biggest of these that have literally hundreds of thousands of different products represented. You will also see that there are specific sites catered to different categories or niches related with Heat Transfer Solutions Manual 4th So depending on what exactly you are searching, you will be able to choose ebook to suit your own need. Thank you for reading Heat Transfer Solutions Manual 4th. Maybe you have knowledge that, people have search numerous times for their favorite readings like this Heat Transfer Solutions Manual 4th, but end up in harmful downloads. Rather than reading a good book with a cup of coffee in the afternoon, instead they juggled with some harmful bugs inside their laptop. Heat Transfer Solutions Manual 4th is available in our book collection an online access to it is set as public so you can download it instantly. Our digital library spans in multiple locations, allowing you to get the most less latency time to download any of our books like this one. Merely said, Heat Transfer Solutions Manual 4th is universally compatible with any devices to read.

### **Find Heat Transfer Solutions Manual 4th :**

*from organic chemistry to macromolecules a scientific autobiography*

*from trails to rails*

front line women negotiating crosscultural issues in ministry

from pastime to passion baseball and the civil war

*from woman to woman. a gynecologist answers questions about you and your body.*

*from the garden of memory a novel*

~~from wiggins wonders come psychic phenomena~~

from urban village to east village the battle for new yorks lower east side

~~from nuclear military strategy to a world without war~~

from the stone age to the space age

**from then into now william kennedys albanys cycle**

from the notebooks of melanin sun

*from queer to eternity*

**from sailor to professional hunter**

frontiers artists and architects

**Heat Transfer Solutions Manual 4th :**

**the experience of insight a simple and direct gui download** - Sep 28 2022

web the experience of insight a simple and direct gui 3 3 the tools needed to recognize the habits of thinking that fuel anger desire jealousy and pride building on mindfulness and self compassion practice it offers a step by step series of guided meditations that create the conditions for liberating insight and

**the experience of insight a simple and direct gui crm gte travel** - Feb 19 2022

web 2 the experience of insight a simple and direct gui 2023 02 21 the first major anthology of tibetan spiritual poetry available in the west songs of spiritual experience offers original translations of fifty two poems from all the traditions and schools of

*the experience of insight a simple and direct gui 2022* - Aug 28 2022

web the experience of insight shambhala publications building on mindfulness and self compassion practices this step by step guide to secular insight meditation shows the way to freedom from deeply rooted thought patterns

**the experience of insight a simple and direct gui pdf** - May 05 2023

web the experience of insight a simple and direct gui downloaded from mucho goldenpalace com by guest torres hicks the path of insight meditation sunshine press publications

*the experience of insight a simple and direct gui 2022* - Jul 27 2022

web the fruit of some twenty years experience leading buddhist meditation retreats this book touches on a wide range of topics raised repeatedly by meditators and includes favorite stories key buddhist

*the experience of insight a simple and direct gui pdf* - Jul 07 2023

web moment of insight shines the spotlight on our collective wounds it also dispenses the collective wisdom of thousands of seekers who dared to be vulnerable within the safe space of a psychiatrist s office

introducing automated gui testing and observing its benefits - Mar 23 2022

web abstract motivated by a real world industrial need in the context of a large it solutions company based in turkey the authors and their colleagues developed and introduced automated test suites for gui testing of two large scale law practice management software comprising of 414 and 105 kloc we report in this paper our experience in developing

the experience of insight a simple and direct guide to buddhist - Sep 09 2023

web this item the experience of insight a simple and direct guide to buddhist meditation 33 80 33 80 get it 7 15 nov only 1 left in stock ships from and sold by amazon us mindfulness a practical guide to awakening 32 99 32

**the experience of insight a simple and direct gui 2022 app** - Jun 25 2022

web the experience of insight a simple direct guide to buddhist meditation a heart full of peace early buddhist meditation songs of spiritual experience insight meditation faith zen and the art of insight you belong the progress of insight the issue at hand buddhist meditation the magnanimous heart insight dialogue insight meditation mindfulness

*the experience of insight a simple and direct gui joseph* - Feb 02 2023

web the fruit of some twenty years experience leading buddhist meditation retreats this book touches on a wide range of topics raised repeatedly by meditators and includes favorite stories key buddhist

**the experience of insight a simple and direct gui 2022** - Mar 03 2023

web the experience of insight a simple and direct gui 1 the experience of insight a simple and direct gui as recognized adventure as capably as experience not quite lesson amusement as with ease as deal can be gotten by just checking out a book the experience of insight a simple and direct gui as well as it is not directly done you

**the experience of insight a simple and direct gui download** - May 25 2022

web the experience of insight a simple and direct gui 1 the experience of insight a simple and direct gui the path of insight meditation the path of serenity and insight the beginner s guide to insight meditation a still forest pool my stroke of insight the experience of insight zen and the art of insight the progress of insight journey of

*the experience of insight a simple and direct gui pdf* - Jun 06 2023

web the experience of insight a simple and direct gui games user research anders drachen 2018 01 26 games live and die commercially on the player experience games user research is collectively the way we optimise the quality of the user experience ux in games working with all aspects of a game from the mechanics and

**the experience of insight a simple and direct gui daniel j** - Jan 01 2023

web you could purchase guide the experience of insight a simple and direct gui or get it as soon as feasible you could quickly download this the experience of insight a simple and direct gui after getting deal

*the experience of insight a simple and direct guide to buddhist* - Aug 08 2023

web aug 25 2020 this modern spiritual classic presented as a thirty day meditation retreat taught by joseph goldstein offers timeless practical instructions and real world advice for practicing meditation whether walking or sitting in

**the experience of insight a simple and direct gui nicholas j** - Apr 23 2022

web the experience of insight a simple and direct gui is available in our digital library an online access to it is set as public so you can get it instantly our book servers hosts in multiple countries allowing you to get the most less latency time to download any of our books like this one

the experience of insight a simple and direct gui - Oct 30 2022

web path of insight meditation their understanding of the basic teachings of the buddha the lessons they ve learned in their training with their own teachers and some good advice on following the buddha dharma in everyday situations of work family and service

*the experience of insight a simple and direct guide to buddhist* - Apr 04 2023

web aug 25 2020 the experience of insight a simple and direct guide to buddhist meditation joseph goldstein shambhala publications aug 25 2020 religion 200 pages this modern spiritual classic presented as a thirty day meditation retreat taught by joseph goldstein offers timeless practical instructions and real world advice for

the experience of insight a simple and direct gui 2022 ftp - Nov 30 2022

web the experience of insight a simple and direct gui downloaded from ftp themontcalmclub com by guest ahmed kaiser overcoming asperger s sounds true an introductory guide to insight meditation offering exercises from two master teachers and a look into how this practice leads to compassion and a deeper understanding of

the experience of insight a simple direct guide to b - Oct 10 2023

web jan 1 1976 goldstein had original experiences of realisation concerning the word unborn and an experience of zero and of no self he makes a 3 month meditation retreat most years he says the peace and happiness we experience has to do with the quality of our minds not our possessions his book mindfulness is based on the satipatthana sutta a

*herzl theodor herzl und die grundung des judische download* - Feb 05 2022

web herzl theodor herzl und die grundung des judische die quellen des trogus pompejus in der persischen geschichte may 01 2023 rask und grimm bis hin zu den junggrammatikern und der anwendung vergleichender methoden für nicht indo europäische sprachen dieser erde synopsis bibliothecae exegeticae in novum

herzl theodor herzl und die gründung des jüdischen staates - May 08 2022

web jul 21 2023 ray discs und mehr jpc de theodor herzl herzl theodor journalistikon die grundung israels referat schreiben10 herzl theodor herzl und die gründung des theodor herzl und die gründung des jüdischen staates book may 31st 2020 covid 19 resources reliable information about the coronavirus

**stammvater des zionismus theodor herzl und der jüdische staat** - Sep 24 2023

web feb 15 2016 1895 als herzl sich an die niederschrift des judenstaats machte galt der antisemitismus als respektable weltanschauung egal ob in berlin paris oder petersburg in münchen wien

*herzl theodor herzl und die gründung des jüdischen staates* - Aug 23 2023

web in den weiteren kapiteln schildert avineri eindrücklich und detailliert wie herzl eigenständig die bewegung des zionismus gründete und sich an ihre spitze stellte herzl suchte zunächst das jüdische establishment für den zionismus zu gewinnen doch dieses verhielt sich grösstenteils ablehnend

**herzl theodor herzl und die grundung des judische albert** - Nov 14 2022

web herzl theodor herzl und die grundung des judische recognizing the habit ways to get this books herzl theodor herzl und die grundung des judische is additionally useful you have remained in right site to begin getting this info acquire the herzl theodor herzl und die grundung des judische join that we find the money for here and check out

**herzl theodor herzl und die gründung des jüdischen staates** - Aug 11 2022

web aug 13 2023 herzl 1860 1904 the herzl institute machon herzl die grundung israels referat schreiben10 der judenstaat german edition ebook herzl erinnerung an theodor herzl hörbuch von stefan theodor herzl und die gründung des jüdischen staates book theodor herzl der vater des modernen zionismus theodor herzl flashcards and study

*lemo theodor herzl deutsches historisches museum* - Feb 17 2023

web mit seiner veröffentlichung der judenstaat wird herzl zum initiator des politischen zionismus bei der niederschrift hat er keine kenntnis von der bereits existierenden zionistischen bewegung in osteuropa die sich auch in reaktion auf die zunehmenden pogrome gebildet hat erst durch herzls publikation findet die idee eines selbständigen

*theodor herzl israel bpb de* - Jul 22 2023

web theodor herzl war ein visionär er hatte den jüdischen staat bereits auf dem ersten zionisten kongress vorausgesehen 1897 notierte er in sein tagebuch in basel gründete ich den jüdischen staat wer war theodor herzl

**theodor herzl und der zionismus judentum projekt de** - Jul 10 2022

web aus diesem grund gründete er 1897 zusammen mit david wolffsohn die nationaljüdische vereinigung in köln die als wegbereiterin der kurz darauf entstehenden zionistischen vereinigung für deutschland zvf d galt 4 biographischer abriß zu herzl theodor herzl 1901 auf dem balkon des hotels drei könige in basel aufnahme

*herzl theodor herzl und die gründung des jüdischen staates* - Jun 09 2022

web geschichte oppis world shlomo avineri herzl theodor herzl und die gründung des theodor herzl facharbeit theodor herzls utopie der judenstaat von theodor herzl wien geschichte wiki theodor herzl theodor herzl und die gründung des jüdischen staates herzl theodor projekt gutenbergs neues zu herzl hagalil theodor herzl wolna encyklopedia

*herzl theodor herzl und die grundung des judische pdf* - Sep 12 2022

web apr 16 2023 herzl theodor herzl und die grundung des judische 1 10 downloaded from uniport edu ng on april 16 2023 by guest herzl theodor herzl und die grundung des judische recognizing the mannerism ways to get this book herzl theodor herzl und die grundung des judische is additionally useful you have remained in right site to

theodor herzl in basel habe ich den judenstaat gegründet stern de - Mar 18 2023

web 03 07 2004 12 34 nach der verurteilung des jüdischen hauptmanns alfred dreyfus in paris 1894 festigt sich in theodor herzl der wunsch nach einem jüdischen staat herzl erlebte dessen gründung

*herzl theodor herzl und die grundung des judische pdf* - Jun 21 2023

web apr 28 2023 *herzl theodor herzl und die grundung des judische 2 12* downloaded from uniport edu ng on april 28 2023 by guest stammende schriftsteller und journalist theodor herzl 1860 1904 entwarf mit seinem 1896 veröffentlichten buch der judenstaat die vision eines eigenen staates für die in aller welt verstreut lebenden

*theodor herzl wikipedia* - May 20 2023

web theodor herzl a 2 may 1860 3 july 1904 3 was an austro hungarian jewish journalist and political activist who was the father of modern political zionism herzl formed the zionist organization and promoted jewish immigration to palestine in an effort to form a

**herzl theodor herzl und die grundung des judische pdf** - Oct 13 2022

web mar 2 2023 *herzl theodor herzl und die grundung des judische 2 14* downloaded from uniport edu ng on march 2 2023 by guest herzl rezeption in israel und in europa herzl shlomo avineri 2016 01 10 reden und schriften zum zionismus max nordau 2018 05 22 max nordau 1849 1923 arzt schriftsteller und kulturkritiker geboren in pest als sohn

**theodor herzl der staat israel war seine idee welt** - Apr 19 2023

web aug 29 2021 29 august 1897 theodor herzl 1860 bis 1904 eröffnet den ersten zionistenkongress quelle picture alliance united archiv anzeige d er anspruch war gewaltig wir wollen den

*herzl theodor herzl und die grundung des judische copy* - Mar 06 2022

web herzl theodor herzl und die grundung des judische theodor herzl feb 20 2022 from the prizewinning jewish lives series a masterful new biography of theodor herzl by an eminent historian of zionism an excellent concise biography of theodor herzl architect of modern zionism an exceptionally good highly

*theodor herzl amateurhafter staatsmann politik sz de* - Jan 16 2023

web apr 15 2022 Über ihm ein porträt von theodor herzl foto afp afp derek penslar zeichnet ein treffliches bild von theodor herzl er sieht den visionär des judenstaats weniger als großen denker und

**herzl theodor herzl und die gründung des jüdischen staates** - Apr 07 2022

web herzl theodor herzl und die gründung des jüdischen staates by shlomo avineri eva maria thimme shlomo avineri zeigt in der lebensgeschichte eines einzelnen mutigen mannes eine ganze epoche und die wirkmächtigkeit von ideen eine exzellente lange überfällige biographie lord mitchell theodor herzl trug den

*theodor herzl der zionismus und die schweiz nzz* - Dec 15 2022

web aug 20 2022 vor 125 jahren versammelte der wiener journalist theodor herzl in basel juden aus der ganzen welt und veränderte die welt rückblick auf ein visionäres projekt theodor herzl

*forgiveness definition what is forgiveness greater good* - Sep 22 2023



web oct 13 2023 psychologists generally define forgiveness as a conscious deliberate decision to release feelings of resentment or vengeance toward a person or group who has harmed you regardless of whether they actually deserve your forgiveness just as important as defining what forgiveness is though is understanding what forgiveness is

**forgiveness wikipedia** - Mar 16 2023

web forgiveness is virtue forgiveness is sacrifice forgiveness is the vedas forgiveness is the shruti forgiveness protecteth the ascetic merit of the future forgiveness is asceticism forgiveness is holiness and by forgiveness is it that the universe is held together

**5 reasons why it s important to forgive psychology today** - Feb 15 2023

web sep 29 2020 forgiveness helps your health negative emotions rob your energy and take a toll on your body mind and spirit anger anxiety depression and undue stress generate a negative influence on

[how to forgive someone 17 benefits tips and strategies healthline](#) - May 18 2023

web apr 27 2020 by practicing forgiveness you may be doing your health a favor forgiveness helps reduce stress according to research from 2016 less stress can have positive health outcomes including

*why forgive because it s good for you psychology today* - Apr 17 2023

web mar 3 2022 key points forgiveness is hard to understand and hard to do but the mental and physical health benefits are clear forgiveness is done for your own benefit when you forgive someone it doesn't

**the power of forgiveness harvard health** - Jul 20 2023

web feb 12 2021 observational studies and even some randomized trials suggest that forgiveness is associated with lower levels of depression anxiety and hostility reduced substance abuse higher self esteem and greater life satisfaction yet forgiving people is not always easy

**eight keys to forgiveness greater good** - Jun 19 2023

web oct 15 2015 forgiveness can heal us and allow us to move on in life with meaning and purpose forgiveness matters and we will be its primary beneficiary studies have shown that forgiving others produces strong psychological benefits for the one who forgives it has been shown to decrease depression anxiety unhealthy anger and the symptoms

**how to forgive and to get forgiveness psychology today** - Jan 14 2023

web aug 1 2022 forgiveness in simplest terms is letting go of angry feelings and thoughts toward somebody who hurt you and replacing them with positive feelings and thoughts

**forgiveness letting go of grudges and bitterness mayo clinic** - Oct 23 2023

web nov 22 2022 forgiveness is a commitment to change it takes practice to move toward forgiveness you might recognize the value of forgiveness and how it can improve your life identify what needs healing and who you want to

forgiveness psychology today - Aug 21 2023

web forgiveness is the release of resentment or anger forgiveness doesn't mean reconciliation one doesn't have to return to the same relationship or accept the same harmful behaviors from an