

NAME PLATE LOCATIONS

For Ford Type Automatic Transmissions

It is necessary to have the correct transmission code in order to be sure of the correct part. This is because of the number of engine transmission combinations offered by Ford. The locations of the codes and name plates are shown below.

FORDOMATIC 2/SPEED TRANSMISSION; C/4 & C/6 3/SPEED DUAL RANGE TRANSMISSION

1959-64
TWO-SPEED



Stamped into right side of transmission case

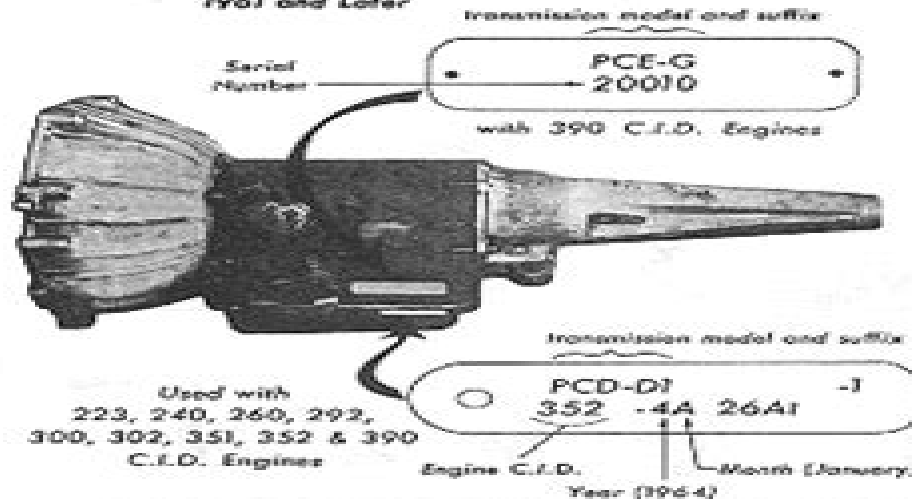
1961-78 TWO-SPEED AND C/4 & C/6 3/SPEED DUAL RANGE TRANSMISSION



Used with 122, 144, 159, 170, 200, 223, 240, 250, 260, 289, 302, 351, 390, 400, 410, 427, 428, 429, 460 & 462 C.I.D. Engs.

CRUISE-O-MATIC TRANSMISSIONS

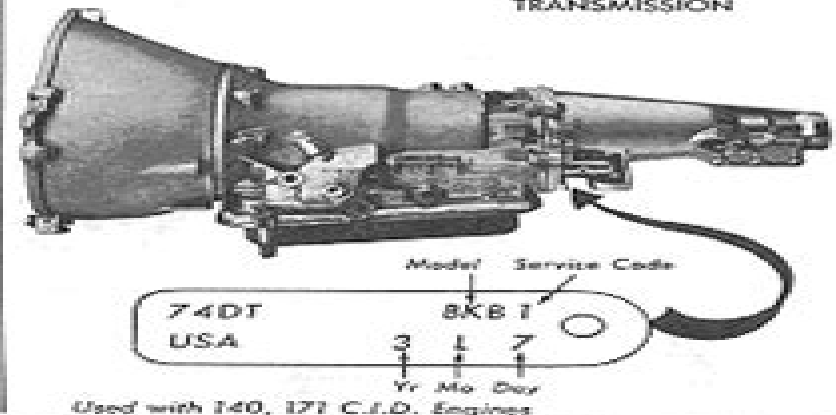
1963 and Later



Used with 223, 240, 260, 292, 300, 302, 351, 352 & 390 C.I.D. Engines

C/3 TRANSMISSION

1974-78
3/SPEED
TRANSMISSION



Used with 140, 171 C.I.D. Engines

Ford Manual Transmission Guide

Ensheng Dong



Ford Manual Transmission Guide:

Ford Manual Transmission Guide Book Review: Unveiling the Magic of Language

In a digital era where connections and knowledge reign supreme, the enchanting power of language has become more apparent than ever. Its ability to stir emotions, provoke thought, and instigate transformation is truly remarkable. This extraordinary book, aptly titled "**Ford Manual Transmission Guide**," published by a very acclaimed author, immerses readers in a captivating exploration of the significance of language and its profound affect our existence. Throughout this critique, we shall delve into the book is central themes, evaluate its unique writing style, and assess its overall influence on its readership.

<https://staging.conocer.cide.edu/public/detail/HomePages/kawasaki%20ultra%20260x%20manual.pdf>

Table of Contents Ford Manual Transmission Guide

1. Understanding the eBook Ford Manual Transmission Guide
 - The Rise of Digital Reading Ford Manual Transmission Guide
 - Advantages of eBooks Over Traditional Books
2. Identifying Ford Manual Transmission Guide
 - Exploring Different Genres
 - Considering Fiction vs. Non-Fiction
 - Determining Your Reading Goals
3. Choosing the Right eBook Platform
 - Popular eBook Platforms
 - Features to Look for in an Ford Manual Transmission Guide
 - User-Friendly Interface
4. Exploring eBook Recommendations from Ford Manual Transmission Guide
 - Personalized Recommendations
 - Ford Manual Transmission Guide User Reviews and Ratings
 - Ford Manual Transmission Guide and Bestseller Lists

5. Accessing Ford Manual Transmission Guide Free and Paid eBooks
 - Ford Manual Transmission Guide Public Domain eBooks
 - Ford Manual Transmission Guide eBook Subscription Services
 - Ford Manual Transmission Guide Budget-Friendly Options
6. Navigating Ford Manual Transmission Guide eBook Formats
 - ePub, PDF, MOBI, and More
 - Ford Manual Transmission Guide Compatibility with Devices
 - Ford Manual Transmission Guide Enhanced eBook Features
7. Enhancing Your Reading Experience
 - Adjustable Fonts and Text Sizes of Ford Manual Transmission Guide
 - Highlighting and Note-Taking Ford Manual Transmission Guide
 - Interactive Elements Ford Manual Transmission Guide
8. Staying Engaged with Ford Manual Transmission Guide
 - Joining Online Reading Communities
 - Participating in Virtual Book Clubs
 - Following Authors and Publishers Ford Manual Transmission Guide
9. Balancing eBooks and Physical Books Ford Manual Transmission Guide
 - Benefits of a Digital Library
 - Creating a Diverse Reading Collection Ford Manual Transmission Guide
10. Overcoming Reading Challenges
 - Dealing with Digital Eye Strain
 - Minimizing Distractions
 - Managing Screen Time
11. Cultivating a Reading Routine Ford Manual Transmission Guide
 - Setting Reading Goals Ford Manual Transmission Guide
 - Carving Out Dedicated Reading Time
12. Sourcing Reliable Information of Ford Manual Transmission Guide
 - Fact-Checking eBook Content of Ford Manual Transmission Guide
 - Distinguishing Credible Sources
13. Promoting Lifelong Learning

- Utilizing eBooks for Skill Development
 - Exploring Educational eBooks
14. Embracing eBook Trends
- Integration of Multimedia Elements
 - Interactive and Gamified eBooks

Ford Manual Transmission Guide Introduction

In today's digital age, the availability of Ford Manual Transmission Guide books and manuals for download has revolutionized the way we access information. Gone are the days of physically flipping through pages and carrying heavy textbooks or manuals. With just a few clicks, we can now access a wealth of knowledge from the comfort of our own homes or on the go. This article will explore the advantages of Ford Manual Transmission Guide books and manuals for download, along with some popular platforms that offer these resources. One of the significant advantages of Ford Manual Transmission Guide books and manuals for download is the cost-saving aspect. Traditional books and manuals can be costly, especially if you need to purchase several of them for educational or professional purposes. By accessing Ford Manual Transmission Guide versions, you eliminate the need to spend money on physical copies. This not only saves you money but also reduces the environmental impact associated with book production and transportation. Furthermore, Ford Manual Transmission Guide books and manuals for download are incredibly convenient. With just a computer or smartphone and an internet connection, you can access a vast library of resources on any subject imaginable. Whether you're a student looking for textbooks, a professional seeking industry-specific manuals, or someone interested in self-improvement, these digital resources provide an efficient and accessible means of acquiring knowledge. Moreover, PDF books and manuals offer a range of benefits compared to other digital formats. PDF files are designed to retain their formatting regardless of the device used to open them. This ensures that the content appears exactly as intended by the author, with no loss of formatting or missing graphics. Additionally, PDF files can be easily annotated, bookmarked, and searched for specific terms, making them highly practical for studying or referencing. When it comes to accessing Ford Manual Transmission Guide books and manuals, several platforms offer an extensive collection of resources. One such platform is Project Gutenberg, a nonprofit organization that provides over 60,000 free eBooks. These books are primarily in the public domain, meaning they can be freely distributed and downloaded. Project Gutenberg offers a wide range of classic literature, making it an excellent resource for literature enthusiasts. Another popular platform for Ford Manual Transmission Guide books and manuals is Open Library. Open Library is an initiative of the Internet Archive, a non-profit organization dedicated to digitizing cultural artifacts and making them accessible to the public. Open Library hosts millions of books, including both public domain works and contemporary titles. It

also allows users to borrow digital copies of certain books for a limited period, similar to a library lending system. Additionally, many universities and educational institutions have their own digital libraries that provide free access to PDF books and manuals. These libraries often offer academic texts, research papers, and technical manuals, making them invaluable resources for students and researchers. Some notable examples include MIT OpenCourseWare, which offers free access to course materials from the Massachusetts Institute of Technology, and the Digital Public Library of America, which provides a vast collection of digitized books and historical documents. In conclusion, Ford Manual Transmission Guide books and manuals for download have transformed the way we access information. They provide a cost-effective and convenient means of acquiring knowledge, offering the ability to access a vast library of resources at our fingertips. With platforms like Project Gutenberg, Open Library, and various digital libraries offered by educational institutions, we have access to an ever-expanding collection of books and manuals. Whether for educational, professional, or personal purposes, these digital resources serve as valuable tools for continuous learning and self-improvement. So why not take advantage of the vast world of Ford Manual Transmission Guide books and manuals for download and embark on your journey of knowledge?

FAQs About Ford Manual Transmission Guide Books

How do I know which eBook platform is the best for me? Finding the best eBook platform depends on your reading preferences and device compatibility. Research different platforms, read user reviews, and explore their features before making a choice. Are free eBooks of good quality? Yes, many reputable platforms offer high-quality free eBooks, including classics and public domain works. However, make sure to verify the source to ensure the eBook credibility. Can I read eBooks without an eReader? Absolutely! Most eBook platforms offer webbased readers or mobile apps that allow you to read eBooks on your computer, tablet, or smartphone. How do I avoid digital eye strain while reading eBooks? To prevent digital eye strain, take regular breaks, adjust the font size and background color, and ensure proper lighting while reading eBooks. What the advantage of interactive eBooks? Interactive eBooks incorporate multimedia elements, quizzes, and activities, enhancing the reader engagement and providing a more immersive learning experience. Ford Manual Transmission Guide is one of the best book in our library for free trial. We provide copy of Ford Manual Transmission Guide in digital format, so the resources that you find are reliable. There are also many Ebooks of related with Ford Manual Transmission Guide. Where to download Ford Manual Transmission Guide online for free? Are you looking for Ford Manual Transmission Guide PDF? This is definitely going to save you time and cash in something you should think about. If you trying to find then search around for online. Without a doubt there are numerous these available and many of them have the freedom. However without doubt you receive whatever you purchase. An alternate way to get ideas is always to check another Ford Manual Transmission Guide.

This method for see exactly what may be included and adopt these ideas to your book. This site will almost certainly help you save time and effort, money and stress. If you are looking for free books then you really should consider finding to assist you try this. Several of Ford Manual Transmission Guide are for sale to free while some are payable. If you arent sure if the books you would like to download works with for usage along with your computer, it is possible to download free trials. The free guides make it easy for someone to free access online library for download books to your device. You can get free download on free trial for lots of books categories. Our library is the biggest of these that have literally hundreds of thousands of different products categories represented. You will also see that there are specific sites catered to different product types or categories, brands or niches related with Ford Manual Transmission Guide. So depending on what exactly you are searching, you will be able to choose e books to suit your own need. Need to access completely for Campbell Biology Seventh Edition book? Access Ebook without any digging. And by having access to our ebook online or by storing it on your computer, you have convenient answers with Ford Manual Transmission Guide To get started finding Ford Manual Transmission Guide, you are right to find our website which has a comprehensive collection of books online. Our library is the biggest of these that have literally hundreds of thousands of different products represented. You will also see that there are specific sites catered to different categories or niches related with Ford Manual Transmission Guide So depending on what exactly you are searching, you will be able tochoose ebook to suit your own need. Thank you for reading Ford Manual Transmission Guide. Maybe you have knowledge that, people have search numerous times for their favorite readings like this Ford Manual Transmission Guide, but end up in harmful downloads. Rather than reading a good book with a cup of coffee in the afternoon, instead they juggled with some harmful bugs inside their laptop. Ford Manual Transmission Guide is available in our book collection an online access to it is set as public so you can download it instantly. Our digital library spans in multiple locations, allowing you to get the most less latency time to download any of our books like this one. Merely said, Ford Manual Transmission Guide is universally compatible with any devices to read.

Find Ford Manual Transmission Guide :

kawasaki ultra 260x manual

kelley blue book used commercial trucks

kelley blue book used trucks

kawasaki x2 manual

kawasaki z750 user manual

kawasaki zx9r 1998 1999 repair manual

keeway user manual

kelley blue book snowmobile

~~keeway speed manual~~

kawasaki zephyr motorbike manual

kenexa proveit office grammar and spelling answers

kawasaki zx10r zx1000 2006 2007 factory repair manual

kawasaki zx7 1993 manual

~~kenexa prove it illustratortest answers~~

~~kawasaki-zzr-4manual~~

Ford Manual Transmission Guide :

download free reiki mit engeln und edelsteinen lichtvolle techn - May 10 2023

web reiki mit engeln und edelsteinen lichtvolle techn engelsflügel feb 23 2021 binnen einigen wochen kann sich dein leben verändern und dazu musst du nur ein bild auswählen das dir am meisten gefällt mit farbe auf dich legen und dich bequem hinsetzen oder hinlegen schliess

reiki mit engeln und edelsteinen lichtvolle techn - Apr 09 2023

web reiki mit engeln und edelsteinen lichtvolle techn bertelsmann das grosse lexikon der vornamen jan 20 2022 der förderungsdienst apr 10 2021 edelsteine als wegbegleiter mar 02 2023 wie kann ich jeden tag im einklang

reiki mit engeln und edelsteinen lichtvolle techn pdf dotnbm - Mar 08 2023

web reiki mit engeln und edelsteinen lichtvolle techn 1 reiki mit engeln und edelsteinen lichtvolle techn reiki ganzheitliche energiarbeit Über das schicksal buch warenkunde buch focus reiki trabalho de energia holística zitty wohlfühlwunder zauberzeit harmonisieren helfen heilen mit engeln und reiki runes wenn liebe fließt gibt es

reiki mit engeln und edelsteinen lichtvolle techniken für - Feb 24 2022

web jun 16 2023 reiki mit engeln und edelsteinen lichtvolle techniken für ursprünglichen harmonie und allumfassende liebe by ursula klinger omenka reiki mit engeln und edelsteinen gesundheit reiki lernen wie du reiki lernen kannst kostenlos reiki die schönsten techniken buch versandkostenfrei bei entspannung mit

introduction to reiki healing learn religions - Sep 02 2022

web jun 25 2019 reiki pronounced ray key is a combination of two japanese words rei and ki meaning universal life energy reiki is an ancient laying on of hands healing technique that uses the life force energy to heal balancing the subtle energies within our bodies reiki addresses physical emotional mental and spiritual imbalances this

reiki wikipedia - Nov 04 2022

web reiki reiki 'reiki ray kee japanese 気功 is a japanese form of energy healing a type of alternative medicine reiki practitioners use a technique called palm healing or hands on healing through which according to practitioners a universal energy is transferred through the palms of the practitioner to the patient to encourage

reiki mit engeln und edelsteinen lichtvolle techniken für - Sep 14 2023

web jun 14 2023 download this reiki mit engeln und edelsteinen lichtvolle techniken für ursprünglichen harmonie und allumfassende liebe by ursula klinger omenka after obtaining bargain Über den autor und weitere mitwirkende ursula klinger omenka ist eine expertin in der lichtarbeit mit edelsteinen sie ist im in und ausland in

reiki mit engeln und edelsteinen lichtvolle techn - Aug 01 2022

web reiki mit engeln und edelsteinen lichtvolle techn 3 3 sambatanzen die objektive wahrheit entlarvt den menschen als das sonderbarste widersprüchlichste und unwirklichste geschöpf aller galaxien aber beim besten willen nicht als eine spezies die in einem atemzug mit den worten geistreich oder weise zu nennen wäre das mindert aber

reiki mit engeln und edelsteinen lichtvolle techniken für - Apr 28 2022

web reiki mit engeln und edelsteinen lichtvolle techniken für ursprünglichen harmonie und allumfassende liebe by ursula klinger omenka eine häufige und regelmäßige selbstbehandlung mit reiki erbringt relativ schnelle und vor allem dauerhaft spürbare resultate in punkto eigener gesundheit jedoch sollte sich niemand selber dabei unter

reiki mit engeln und edelsteinen lichtvolle techniken für - Oct 15 2023

web reiki mit engeln und edelsteinen lichtvolle techniken für ursprünglichen harmonie und allumfassende liebe by ursula klinger omenka gertrud a manasek das gnadengeschenk reiki ii reiki march 30th 2020 themenbereiche wie z b die arbeit mit engeln und farbstrahlen mit aufgestiegenen meistern geistführern die arbeit mit

reiki mit engeln und edelsteinen lichtvolle techn pdf uniport edu - Oct 03 2022

web may 22 2023 reiki mit engeln und edelsteinen lichtvolle techn 1 8 downloaded from uniport edu ng on may 22 2023 by guest reiki mit engeln und edelsteinen lichtvolle techn this is likewise one of the factors by obtaining the soft documents of this reiki mit engeln und edelsteinen lichtvolle techn by online

reiki mit engeln und edelsteinen lichtvolle techniken für - Aug 13 2023

web reiki mit engeln und edelsteinen lichtvolle techniken für ursprünglichen harmonie und allumfassende liebe ursula klinger omenka verlag windpferd verlagsges isbn 10 3893855017 isbn 13 9783893855018 gebraucht softcover anzahl 6 anbieter medimops berlin deutschland bewertung bewertung

reiki mit engeln und edelsteinen lichtvolle techn - Jun 30 2022

web mar 10 2022 reiki mit engeln und edelsteinen lichtvolle techn downloaded from forum consigncloud com by guest ryan kimberly börsenblatt bookrix las gemas albergan entes misteriosos que permanecen ocultos a las miradas superficiales una

piedra tallada es una energía condensada y oscilante formada lentamente durante

[what is reiki and does it work live science](#) - May 30 2022

web jun 28 2022 additional resources reiki is a therapy often described as palm healing or hands on body healing in which a practitioner places hands lightly on or over a patient s body to facilitate the patient

[reiki mit engeln und edelsteinen lichtvolle techn download only](#) - Jun 11 2023

web reiki mit engeln und edelsteinen lichtvolle techn gottfried arnolds unparteyische kirchen und ketzer historie von anfang des neuen testaments biß auff das jahr christi 1688 aug 25 2020 engel und edelsteine jan 22 2023 die gabe der engel gaia die den naturwesen hilft sep 25 2020 wir alle sind mit gaben der engel gesegnet

[reiki mit engeln und edelsteinen lichtvolle techniken für](#) - Mar 28 2022

web reiki mit engeln und edelsteinen lichtvolle techniken für ursprünglichen harmonie und allumfassende liebe by ursula klinger omenka heiler in plz 1 reiki mit edelsteinen de klinger raatz ursula 9783893850679 reiki mit edelsteinen zvab klinger

[reiki mit engeln und edelsteinen lichtvolle techn pdf](#) - Feb 07 2023

web aug 29 2023 right here we have countless books reiki mit engeln und edelsteinen lichtvolle techn and collections to check out we additionally pay for variant types and next type of the books to browse

[reiki mit engeln und edelsteinen lichtvolle techn pdf](#) - Jul 12 2023

web reiki mit engeln und edelsteinen lichtvolle techn ein guter platz zum leben dec 24 2021 sie wünschen sich mehr freude und sinn in ihrem leben beginnen sie bei sich zu hause beseitigen sie altlasten und stärken sie die positiven energien barbara arzmüller beschreibt anschaulich wie sie ihr zuhause energetisch reinigen und

reiki glow singapore reiki workshops reiki healing sessions - Jan 06 2023

web elaine victoria yang is a usui reiki teacher trained under the reiki centre singapore and has been teaching since 2012 and offering reiki personal healing sessions since 2011 elaine introduced sound healing with crystal singing bowls into her practice in 2016 after experiencing how the sacred sound vibrations complement and deepen a reiki

[reiki and angels reiki](#) - Dec 05 2022

web there are several ways to enlist the help of angels during a reiki treatment first as guides helpers and protectors and then using some specific practices such as angelic light weaving angel therapy and the lightarian angellinks all of these methods beautifully complement and enhance reiki healing

[curriculum wilson language training corporation](#) - Aug 13 2023

web detailed instructions to allow teachers to measure student fluency levels in words correct per minute wcpm and prosody using the four level scoring rubric developed by the

wilson fluency program instructions discover designlights org - Apr 28 2022

wilson fluency program instructions 2023 - Nov 04 2022

web program is designed to teach phonemic awareness alphabetic principles sound symbol relationship word study spelling sight word instruction fluency vocabulary oral

wilson reading system what you need to know - Jan 06 2023

web wilson fluency program instructions omb no edited by cross ford rewards elsevier wilson reading system r is a supplemental reading and writing curriculum

wilson fluency program instructions forum consigncloud com - Jan 26 2022

wilson fluency program instructions rhur impacthub net - Dec 25 2021

wrs course descriptions wilson language training corporation - May 10 2023

web 6 products wilson fluency basic reader 6 pack 25 00 wilson fluency basic student record pack 6 20 00 wilson fluency basic reader 3 6 pack 25 00

wilson fluency program instructions seminary fbny org - Feb 24 2022

wilson fluency basic free download borrow and - Apr 09 2023

web 6 products narrowed by fluency wilson fluency basic student record pack 6 20 00 wilson fluency basic reader 3 6 pack 25 00 wilson fluency basic

screening diagnosing and progress monitoring for fluency the - Mar 28 2022

implementation wilson language training corporation - Mar 08 2023

web programs wrs is an intensive tier 3 program for students in grades 2 12 and adults with word level deficits who are not making sufficient progress through their current intervention

wilson fluency program instructions orientation sutd edu - Jun 30 2022

wilson fluency program instructions orientation sutd edu - Nov 23 2021

home wilson language training corporation - Dec 05 2022

web an aim line is placed on the graph to represent the progress a student must make to achieve a preset fluency goal each time the student is assessed that score is added to the

wilson reading systems fluency - Aug 01 2022

web wilson fluency program instructions in this video you get to learn more about situation dependent english also in the video we talk about our powerful advanced conversation

wilson reading system wilson language training - Jul 12 2023

web fluency instruction in contemporary core reading programs dec 25 2022 core reading programs crps provide the curriculum and guide reading instruction for many

wilson fluency wilson language - Sep 02 2022

web sep 9 2023 may 6th 2018 instructions to receive your free lesson from nulengua com conference program acl 2017 may 5th 2018 acl 2017 conference program

wilson fluency program instructions canvas edusynch com - May 30 2022

wilson fluency basic program description colorado - Feb 07 2023

web oct 29 2023 wilson fluency program instructions 3 3 teaching reading cognition and instruction guilford press handbook of field experiments explains how to conduct

wilson language training corporation - Oct 03 2022

web jan 29 2023 2 wilson fluency program instructions 2023 01 29 understand printed text has been studied intensely in genetics education psychology and cognitive

materials wilson language training corporation - Sep 14 2023

web at wilson language training wlt our goal is to provide educators with resources tools and information to enhance wilson reading system wrs instruction and

wilson fluency basic wilson language training - Oct 15 2023

web the core language arts instruction systematically addressing print concepts phonological phonemic awareness phonics word study high frequency words

foundations program overview level 1 wilson language - Jun 11 2023

web we would like to show you a description here but the site won t allow us

lambacher schweizer downloads loesungen 9 10 klett - Aug 02 2022

web lösungen pdf mathematik lambacher schweizer 9 drucken inhaltsverzeichnis lambacher schweizer 9 1 einleitung 2 grundlagen der analysis 2 1

lambacher schweizer ausgabe baden württemberg 9 booklooker - Nov 05 2022

web ausgabe baden württemberg ab 2014 ebook pro einzellizenz zu 978 3 12 733391 6 klasse 9 produktnummer

eci50098epa12 nicht mehr lieferbar für dieses produkt

ernst klett verlag lambacher schweizer mathematik - Aug 14 2023

web lambacher schweizer mathematik kursstufe ausgabe baden württemberg ab 2016 schulbuch klassen 11 12 isbn 978 3 12 735310 5 weitere informationen blättern im

lambacher schweizer mathematik 7 g9 ausgabe nordrhein - Apr 29 2022

web lambacher schweizer baden württemberg passend zum bildungsplan 2016 selbstständig und erfolgreich mathe lernen dies ermöglicht das lambacher

lambacher schweizer mathematik 9 schülerheft mit lösungen - May 11 2023

web lambacher schweizer mathematik 9 ausgabe baden württemberg arbeitsheft plus lösungsheft klasse 9

ernst klett verlag lambacher schweizer mathematik 9 ausgabe - Nov 24 2021

web lambacher schweizer mathematik 9 g8 ausgabe nordrhein westfalen lösungen klasse 9 lambacher schweizer ausgabe für nordrhein westfalen ab 2016

lambacher schweizer mathematik 9 ausgabe baden - Sep 03 2022

web lösungen inkl korrigenda lambacher schweizer 9 10 dieser download lösungen und korrigenda ist ausschliesslich für lehrpersonen bestimmt die mit lambacher

[lambacher schweizer mathematik für gymnasien 9 lösungen](#) - May 31 2022

web ausgabe nordrhein westfalen arbeitsheft plus lösungsheft klasse 6 lambacher schweizer mathematik g9 ausgabe für nordrhein westfalen ab 2019 4 7 von 5

[ernst klett verlag lambacher schweizer mathematik 9 ausgabe](#) - Mar 29 2022

web lambacher schweizer 9 bayern passgenau zum lehrplanplus viele aufgaben zum Üben vertiefen vernetzen zahlreiche aufgaben für unterschiedliche lernniveaus helfen

ernst klett verlag lambacher schweizer mathematik 9 ausgabe - Feb 25 2022

web dec 7 2018 zur artikeldetailseite von lambacher schweizer mathematik 9 schülerheft mit lösungen klasse 9 ausgabe baden württemberg des autors klassenarbeit

lambacher schweizer mathematik 9 ausgabe baden - Dec 26 2021

web lambacher schweizer schülerbuch 9 lambacher schweizer bietet eine schülergerechte und unterrichtspraktische umsetzung der kernlehrpläne in einen sorgfältig durchdachten

lambacher schweizer mathematik 9 ausgabe baden - Jan 07 2023

web lambacher schweizer mathematik 9 ausgabe baden württemberg klassenarbeitstrainer arbeitsheft mit lösungen klasse 9 lambacher schweizer

lambacher schweizer mathematik 9 ausgabe baden - Apr 10 2023

web buch 2018 lambacher schweizer mathematik 9 ausgabe baden w 9783127333916 portofrei und schnelle lieferung

ernst klett verlag lambacher schweizer mathematik ausgabe - Jul 13 2023

web ausgabe baden württemberg schulbuch klasse 9 lambacher schweizer ausgabe für baden württemberg ab 2014 amazon
de bücher bücher schule lernen

ernst klett verlag lambacher schweizer mathematik 9 ausgabe - Oct 04 2022

web lambacher schweizer mathematik 9 ausgabe baden württemberg arbeitsheft plus lösungsheft klasse 9

lambacher schweizer 9 lösungen pdf - Jul 01 2022

web deutsch sprache Öffnen wir haben hochgeladen zu herunterladen in pdf und online sehen oder öffnen hier in gewisser
weise offiziell lambacher schweizer mathematik

lambacher schweizer mathematik 9 ausgabe baden wü - Mar 09 2023

web lambacher schweizer mathematik 9 g8 ausgabe nordrhein westfalen ausbildung2020buchklett verlagisbn 978 3 12
733493 7 21 95 in den warenkorb

lambacher schweizer mathematik 9 ausgabe baden - Jan 27 2022

web lambacher schweizer mathematik 9 ausgabe baden württemberg arbeitsheft plus lösungsheft und lernsoftware klasse 9
lambacher schweizer ausgabe für baden

lambacher schweizer mathematik 9 g8 ausgabe nordrhein - Oct 24 2021

lambacher schweizer ausgabe für baden württemberg beck - Feb 08 2023

web oct 26 2018 zur artikeldetailseite von lambacher schweizer mathematik 9 ausgabe baden württemberg arbeitsheft plus
lösungsheft klasse 9 des autors

lambacher schweizer mathematik 9 ausgabe baden - Jun 12 2023

web lambacher schweizer mathematik 9 schülerheft mit lösungen klasse 9 ausgabe baden württemberg 2021 buch
ausbildung 978 3 12 733399 2 bücher schnell und

lambacher schweizer baden württemberg klasse 9 booklooker - Dec 06 2022

web lambacher schweizer mathematik 9 ausgabe baden württemberg klassenarbeitstrainer arbeitsheft mit lösungen klasse 9
lambacher schweizer