

## REMOVAL AND INSTALLATION (Continued)

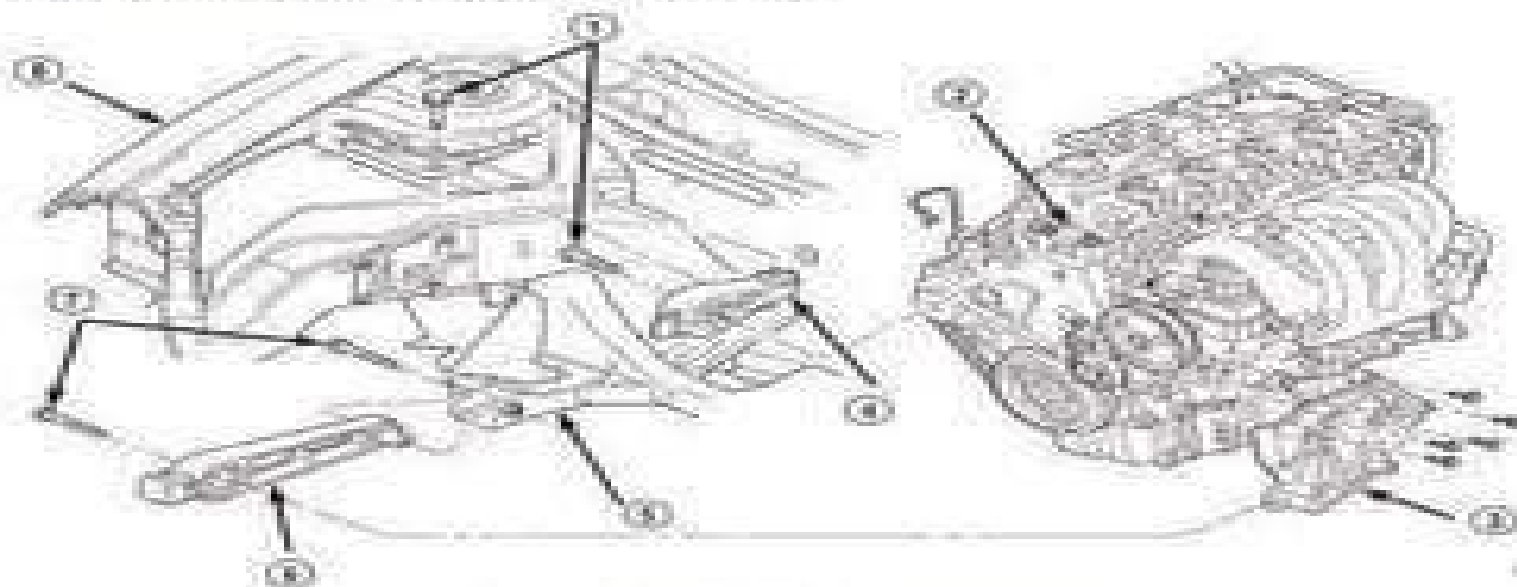


Fig. 16 Torque Struts—Upper and Lower

- 1 - BOLTS
- 2 - ENGINE MOUNT BRACKET
- 3 - TORQUE STRUT BRACKET
- 4 - UPPER TORQUE STRUT

- 5 - LOWER TORQUE STRUT
- 6 - MOTOR

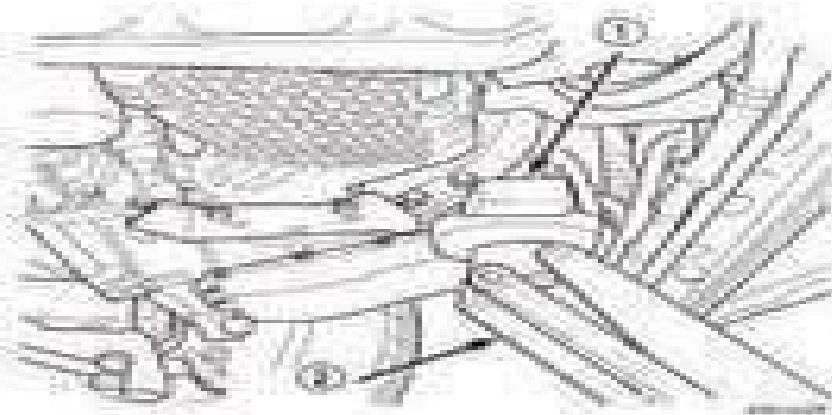


Fig. 17 Floor Jack Positioning

- 1 - ENGINE BLOCK
- 2 - FLOOR JACK

(16) Carefully apply upward force, allowing the upper engine to rotate downward until the distance between the center of the transverse attaching stud on the engine mount bracket (point "A") and the center of the hole for the washer base clip on the shock tower bracket (point "B") is 118 mm (4.70 in.) (Fig. 12).

(17) With the engine held at the proper position, tighten both the upper and lower torque strut bolts to 118 Nm (87 ft. lbs.) (Fig. 12).

(18) Remove the floor jack.

## ENGINE MOUNT—LEFT

## REMOVAL

(1) Raise vehicle approximately 20.5 cm (8.1 in.) from level.

(2) Remove air cleaner assembly (Fig. 13).

(3) Remove battery and tray.

(4) Support transaxle with a suitable jack.

(5) Remove left front wheel.

(6) Remove left splash shield.

(7) Remove through bolt across plug at left side upper frame rail.

# Manual Neon 2000 Automatico

**LL Leslie**



## **Manual Neon 2000 Automatico:**

**Dodge Neon 2000-2003 Repair and Maintenance Guide** Pasquale De Marco,2025-08-12 The Dodge Neon is a compact car that was produced by Dodge from 1994 to 2005 It was available in sedan and coupe body styles and was powered by a variety of four cylinder engines The Neon was known for its affordability fuel efficiency and sporty handling This comprehensive repair manual covers the Dodge Neon from 2000 to 2003 It provides detailed instructions on how to maintain and repair your Neon including everything from routine maintenance to major repairs Whether you re a do it yourselfer or a professional mechanic this manual will help you keep your Neon running in top condition Inside you will find Step by step instructions on how to maintain and repair your Dodge Neon Hundreds of photos and illustrations to help you understand the procedures Troubleshooting tips and diagnostic information to help you identify and fix problems Specifications and technical data to help you make informed decisions about your Neon With this manual you ll be able to Perform routine maintenance such as oil changes tire rotations and brake inspections Diagnose and repair common problems such as engine issues transmission problems and electrical problems Perform major repairs such as engine overhauls transmission rebuilds and suspension replacements Whether you re a novice or an experienced mechanic this manual will help you keep your Dodge Neon running in top condition Why Choose This Manual Comprehensive This manual covers everything you need to know about maintaining and repairing your Dodge Neon Easy to Use The step by step instructions and hundreds of photos and illustrations make it easy to follow the procedures Accurate The information in this manual is based on the latest service information from Dodge Affordable This manual is a fraction of the cost of having your Neon serviced by a mechanic If you re looking for a comprehensive and easy to use repair manual for your Dodge Neon look no further This manual has everything you need to keep your Neon running smoothly for years to come If you like this book write a review

*Defense Supply Management Handbook* United States. Office of the Assistant Secretary of Defense (Supply and Logistics),1953    **2000 Service Manual Neon** Chrysler Corporation,1999    *Wireless World* ,1965

**Gramophone** ,1965    *Mundo ejecutivo* ,1999    **Qué pasa** ,1999    *Classification of Equipment for Inventory Control* United States. Department of Defense,1953    *Wireless World and Radio Review* ,1966    InTech ,1982    *Diario oficial de la federación* Mexico,2000    Asian Sources Gifts & Home Products ,1994    **Cambio 16** ,2000    **Básculas** Manuel Martínez de Castro,1968    Neon 1998 Service Manual ,1997    **Anuário das indústrias** ,    *Neon 1997 Service Manual* ,1996    **Neon 1996 Service Manual** ,1995    **Neon 1999 Service Manual** ,1998    2001 Neon Service Manual DaimlerChrysler,2000

When people should go to the book stores, search initiation by shop, shelf by shelf, it is in fact problematic. This is why we give the book compilations in this website. It will very ease you to look guide **Manual Neon 2000 Automatico** as you such as.

By searching the title, publisher, or authors of guide you truly want, you can discover them rapidly. In the house, workplace, or perhaps in your method can be every best place within net connections. If you intend to download and install the Manual Neon 2000 Automatico, it is unconditionally easy then, back currently we extend the associate to buy and make bargains to download and install Manual Neon 2000 Automatico so simple!

[https://staging.conocer.cide.edu/About/browse/default.aspx/mastering\\_biology\\_chapter\\_15.pdf](https://staging.conocer.cide.edu/About/browse/default.aspx/mastering_biology_chapter_15.pdf)

## **Table of Contents Manual Neon 2000 Automatico**

1. Understanding the eBook Manual Neon 2000 Automatico
  - The Rise of Digital Reading Manual Neon 2000 Automatico
  - Advantages of eBooks Over Traditional Books
2. Identifying Manual Neon 2000 Automatico
  - Exploring Different Genres
  - Considering Fiction vs. Non-Fiction
  - Determining Your Reading Goals
3. Choosing the Right eBook Platform
  - Popular eBook Platforms
  - Features to Look for in an Manual Neon 2000 Automatico
  - User-Friendly Interface
4. Exploring eBook Recommendations from Manual Neon 2000 Automatico
  - Personalized Recommendations
  - Manual Neon 2000 Automatico User Reviews and Ratings
  - Manual Neon 2000 Automatico and Bestseller Lists

5. Accessing Manual Neon 2000 Automatico Free and Paid eBooks
  - Manual Neon 2000 Automatico Public Domain eBooks
  - Manual Neon 2000 Automatico eBook Subscription Services
  - Manual Neon 2000 Automatico Budget-Friendly Options
6. Navigating Manual Neon 2000 Automatico eBook Formats
  - ePub, PDF, MOBI, and More
  - Manual Neon 2000 Automatico Compatibility with Devices
  - Manual Neon 2000 Automatico Enhanced eBook Features
7. Enhancing Your Reading Experience
  - Adjustable Fonts and Text Sizes of Manual Neon 2000 Automatico
  - Highlighting and Note-Taking Manual Neon 2000 Automatico
  - Interactive Elements Manual Neon 2000 Automatico
8. Staying Engaged with Manual Neon 2000 Automatico
  - Joining Online Reading Communities
  - Participating in Virtual Book Clubs
  - Following Authors and Publishers Manual Neon 2000 Automatico
9. Balancing eBooks and Physical Books Manual Neon 2000 Automatico
  - Benefits of a Digital Library
  - Creating a Diverse Reading Collection Manual Neon 2000 Automatico
10. Overcoming Reading Challenges
  - Dealing with Digital Eye Strain
  - Minimizing Distractions
  - Managing Screen Time
11. Cultivating a Reading Routine Manual Neon 2000 Automatico
  - Setting Reading Goals Manual Neon 2000 Automatico
  - Carving Out Dedicated Reading Time
12. Sourcing Reliable Information of Manual Neon 2000 Automatico
  - Fact-Checking eBook Content of Manual Neon 2000 Automatico
  - Distinguishing Credible Sources
13. Promoting Lifelong Learning

- Utilizing eBooks for Skill Development
  - Exploring Educational eBooks
14. Embracing eBook Trends
- Integration of Multimedia Elements
  - Interactive and Gamified eBooks

## **Manual Neon 2000 Automatico Introduction**

In this digital age, the convenience of accessing information at our fingertips has become a necessity. Whether its research papers, eBooks, or user manuals, PDF files have become the preferred format for sharing and reading documents. However, the cost associated with purchasing PDF files can sometimes be a barrier for many individuals and organizations. Thankfully, there are numerous websites and platforms that allow users to download free PDF files legally. In this article, we will explore some of the best platforms to download free PDFs. One of the most popular platforms to download free PDF files is Project Gutenberg. This online library offers over 60,000 free eBooks that are in the public domain. From classic literature to historical documents, Project Gutenberg provides a wide range of PDF files that can be downloaded and enjoyed on various devices. The website is user-friendly and allows users to search for specific titles or browse through different categories. Another reliable platform for downloading Manual Neon 2000 Automatico free PDF files is Open Library. With its vast collection of over 1 million eBooks, Open Library has something for every reader. The website offers a seamless experience by providing options to borrow or download PDF files. Users simply need to create a free account to access this treasure trove of knowledge. Open Library also allows users to contribute by uploading and sharing their own PDF files, making it a collaborative platform for book enthusiasts. For those interested in academic resources, there are websites dedicated to providing free PDFs of research papers and scientific articles. One such website is Academia.edu, which allows researchers and scholars to share their work with a global audience. Users can download PDF files of research papers, theses, and dissertations covering a wide range of subjects. Academia.edu also provides a platform for discussions and networking within the academic community. When it comes to downloading Manual Neon 2000 Automatico free PDF files of magazines, brochures, and catalogs, Issuu is a popular choice. This digital publishing platform hosts a vast collection of publications from around the world. Users can search for specific titles or explore various categories and genres. Issuu offers a seamless reading experience with its user-friendly interface and allows users to download PDF files for offline reading. Apart from dedicated platforms, search engines also play a crucial role in finding free PDF files. Google, for instance, has an advanced search feature that allows users to filter results by file type. By specifying the file type as "PDF," users can find websites that offer free PDF downloads on a specific topic. While downloading Manual Neon 2000 Automatico free PDF files is convenient,

its important to note that copyright laws must be respected. Always ensure that the PDF files you download are legally available for free. Many authors and publishers voluntarily provide free PDF versions of their work, but its essential to be cautious and verify the authenticity of the source before downloading Manual Neon 2000 Automatico. In conclusion, the internet offers numerous platforms and websites that allow users to download free PDF files legally. Whether its classic literature, research papers, or magazines, there is something for everyone. The platforms mentioned in this article, such as Project Gutenberg, Open Library, Academia.edu, and Issuu, provide access to a vast collection of PDF files. However, users should always be cautious and verify the legality of the source before downloading Manual Neon 2000 Automatico any PDF files. With these platforms, the world of PDF downloads is just a click away.

### **FAQs About Manual Neon 2000 Automatico Books**

How do I know which eBook platform is the best for me? Finding the best eBook platform depends on your reading preferences and device compatibility. Research different platforms, read user reviews, and explore their features before making a choice. Are free eBooks of good quality? Yes, many reputable platforms offer high-quality free eBooks, including classics and public domain works. However, make sure to verify the source to ensure the eBook credibility. Can I read eBooks without an eReader? Absolutely! Most eBook platforms offer webbased readers or mobile apps that allow you to read eBooks on your computer, tablet, or smartphone. How do I avoid digital eye strain while reading eBooks? To prevent digital eye strain, take regular breaks, adjust the font size and background color, and ensure proper lighting while reading eBooks. What the advantage of interactive eBooks? Interactive eBooks incorporate multimedia elements, quizzes, and activities, enhancing the reader engagement and providing a more immersive learning experience. Manual Neon 2000 Automatico is one of the best book in our library for free trial. We provide copy of Manual Neon 2000 Automatico in digital format, so the resources that you find are reliable. There are also many Ebooks of related with Manual Neon 2000 Automatico. Where to download Manual Neon 2000 Automatico online for free? Are you looking for Manual Neon 2000 Automatico PDF? This is definitely going to save you time and cash in something you should think about. If you trying to find then search around for online. Without a doubt there are numerous these available and many of them have the freedom. However without doubt you receive whatever you purchase. An alternate way to get ideas is always to check another Manual Neon 2000 Automatico. This method for see exactly what may be included and adopt these ideas to your book. This site will almost certainly help you save time and effort, money and stress. If you are looking for free books then you really should consider finding to assist you try this. Several of Manual Neon 2000 Automatico are for sale to free while some are payable. If you arent sure if the books you would like to download works with for usage along with your computer, it is possible to download free trials. The free guides

make it easy for someone to free access online library for download books to your device. You can get free download on free trial for lots of books categories. Our library is the biggest of these that have literally hundreds of thousands of different products categories represented. You will also see that there are specific sites catered to different product types or categories, brands or niches related with Manual Neon 2000 Automatico. So depending on what exactly you are searching, you will be able to choose e books to suit your own need. Need to access completely for Campbell Biology Seventh Edition book? Access Ebook without any digging. And by having access to our ebook online or by storing it on your computer, you have convenient answers with Manual Neon 2000 Automatico To get started finding Manual Neon 2000 Automatico, you are right to find our website which has a comprehensive collection of books online. Our library is the biggest of these that have literally hundreds of thousands of different products represented. You will also see that there are specific sites catered to different categories or niches related with Manual Neon 2000 Automatico So depending on what exactly you are searching, you will be able to choose ebook to suit your own need. Thank you for reading Manual Neon 2000 Automatico. Maybe you have knowledge that, people have search numerous times for their favorite readings like this Manual Neon 2000 Automatico, but end up in harmful downloads. Rather than reading a good book with a cup of coffee in the afternoon, instead they juggled with some harmful bugs inside their laptop. Manual Neon 2000 Automatico is available in our book collection an online access to it is set as public so you can download it instantly. Our digital library spans in multiple locations, allowing you to get the most less latency time to download any of our books like this one. Merely said, Manual Neon 2000 Automatico is universally compatible with any devices to read.

### **Find Manual Neon 2000 Automatico :**

**mastering biology chapter 15**

[mastercraft welder owners manual](#)

[mastercraft workbench instructions](#)

[mastering autocad mep 2014](#)

[mastercam x3 wire guide](#)

*mastering physics solutions manual 8b*

~~[mastercam xuser guide](#)~~

[mat 0012 prealgebra final exam](#)

*mastercraft 1978 1986 user guide*

*maternmiddlehigh org thinkgate*

~~[mate challenge kings command siren publishing everlasting classic manlove](#)~~



[master the gmat 2015](#)

[master of orion manual jon sullivan](#)

[mastercam xsolids training guide](#)

[mastering modern world history 4th edition by norman lowe](#)

## **Manual Neon 2000 Automatico :**

**sussman gregg american vision u s history textbook** - Jul 31 2022

web the american vision by glencoe year published chapter 1 colonizing america chapter 2 the american revolution chapter 3 creating a constitution chapter 4 the young republic chapter 5 growth and division chapter 6 the spirit of reform chapter 7 manifest destiny

**american vision unit 9 resources mcgraw hill staff google** - May 29 2022

web american vision unit 9 resources author mcgraw hill staff publisher mcgraw hill education 2002 isbn 0078280826 9780078280825 export citation bibtex endnote refman

**the american vision by mcgraw hill open library** - Dec 04 2022

web feb 4 2023 american history is people events places documents art inventions literature in other words american history is everything about the adventures of all americans past and present this book helps you learn about your nation s past by organizing its history around 10 themes

[the american vision 2010 mcgraw hill education](#) - May 09 2023

web textbook resources multilingual glossary studentworks plus online study to go web links 2008 election update glencoe graphing tool unit resources historical thinking activities chapter activities chapter overviews student web activities self check quizzes epuzzles and games vocabulary eflashcards in motion animations

**history mcgraw hill** - Sep 13 2023

web us a narrative history volume 1 to 1877 8th edition by james west davidson and brian delay and christine leigh heyrman and mark lytle and michael stoff us a narrative history volume 2 since 1865

[the american vision free download borrow and streaming](#) - Oct 14 2023

web unit 1 creating a nation beginnings to 1789 unit 2 the young republic 1789 1850 unit 3 the crisis of union 1848 1877 unit 4 the birth of modern america 1865 1901 unit 5 imperialism and progressivism 1890 1920 unit 6 boom and bust 1920 1941 unit 7 global struggles 1941 1960 unit 8

[the american vision modern times student edition edition 1](#) - Feb 06 2023

web the american vision modern times presents the rich saga of american history after the civil war adapted from the

modern history portion of the american vision this program features the same exceptional scholarship accurate maps peerless resources and unique strategies found in the full survey text

*the american vision reading essentials and study guide* - Jun 29 2022

web jan 11 2006 the american vision reading essentials and study guide workbook united states history hs 1st edition by mcgraw hill education author 5 0 5 0 out of 5 stars 1 rating

**glencoe u s history the american vision online textbook help** - Mar 27 2022

web nov 8 2023 use our comprehensive online textbook course to follow along in your glencoe u s history the american vision textbook the short video and text lessons in this companion course help you

*the american vision student edition mcgraw hill education* - Jun 10 2023

web feb 14 2002 the full panorama of american history comes alive through their vivid and accurate re telling and the participation of the national geographic society ensures that the program s brand new maps charts and graphs are correct to the last detail

history american history mcgraw hill higher education - Apr 27 2022

web mcgraw hill go greenlight learning with this new ebook aleks personalize learning and assessment aleks placement preparation and learning achieve accurate math placement simnet ignite mastery of ms office and it skills mcgraw hill ebook readanywhere app get learning that fits anytime anywhere sharpen study app a

the american vision history textbook glencoe mcgraw hill 2010 - Feb 23 2022

web mar 27 2022 find many great new used options and get the best deals for the american vision history textbook glencoe mcgraw hill 2010 at the best online prices at ebay free shipping for many products

**american vision edition 1 by mcgraw hill education barnes** - Mar 07 2023

web may 7 2007 the american vision boasts an exceptional author team with specialized expertise in colonial civil war 20th century and civil rights history the full panorama of american history comes alive through their vivid and accurate retelling and the co authorship of national geographic ensures that the program s new maps charts and

**the american vision mcgraw hill education** - Aug 12 2023

web the american vision textbook resources click an item at the left to access links activities and more once your teacher has registered for the online student edition he or she will give you the user name and password needed to

the american vision student edition by mcgraw hill open library - Apr 08 2023

web feb 14 2002 american history is people events places documents art inventions literature in other words american history is everything about the adventures of all americans past and present this book helps you learn about your nation s past by organizing its history around 10 themes

**the american republic since 1877 student edition mcgraw hill** - Jan 05 2023

web jan 25 2002 for high school students the american republic since 1877 presents the rich saga of american history after the civil war the modern history portion of the american vision this program features the same exceptional scholarship up to date accurate maps peerless resources and unique strategies found in the american vision

*american vision textbook mr suggs google sites* - Sep 01 2022

web sep 4 2015 u s history world history ap us history u s history american vision textbook selection file type icon file name description size revision time user

*the american vision student edition mcgraw hill education* - Nov 03 2022

web jan 21 2009 mcgraw hill education jan 21 2009 juvenile nonfiction 1264 pages incorporate research based reading strategies to give all your students access to the rich history of the united states

**the american vision student edition mcgraw hill google books** - Jul 11 2023

web feb 14 2002 the american vision student edition mcgraw hill mcgraw hill education feb 14 2002 history 1184 pages the american vision boasts an exceptional author team with specialized

the american vision modern times online student edition 1 - Oct 02 2022

web the american vision modern times online student edition 1 year subscription per student with purchase of print student edition mcgraw hill glencoe mcgraw hill 2005 social science

**directory of usa and canadian pharmaceutical biotechnology** - May 04 2022

web canada country report canada pharmaceutical executive canadian generic pharmaceutical association linkedin canadian biotechnology pany list pharma medical list of largest biotechnology and pharmaceutical panies pharmaceutical biotechnology concepts and applications list of top pharma medical biotech panies in

**directory of usa and canadian pharmaceutical biot wrbb neu** - Jun 05 2022

web directory of usa and canadian pharmaceutical biot most likely you have knowledge that people have look numerous period for their favorite books behind this directory of usa and canadian pharmaceutical biot but stop happening in harmful downloads rather than enjoying a good ebook following a cup of coffee in the afternoon otherwise they

directory of usa and canadian pharmaceutical biot ftp bonide - May 16 2023

web directory of usa and canadian pharmaceutical biot u s and canadian investment in south africa and namibia us book distributors directory volume 2 4 directory of usa and canadian pharmaceutical biot 2022 11 17 in contacting a search firm in canada effortlessly bilingual english french us book distributors

**directory of usa and canadian pharmaceutical biot pdf** - Feb 13 2023

web may 23 2023 directory of usa and canadian pharmaceutical biot is available in our digital library an online access to it

is set as public so you can download it instantly our digital library hosts in multiple locations allowing you to get the most less latency time to download any of our books like this one kindly say the directory of usa and canadian

[list of biotech and pharmaceutical companies in the new york](#) - Mar 14 2023

web biotech and pharmaceutical companies in the new york metropolitan area represent a significant and growing economic component of the new york metropolitan area the most populous combined statistical area in the united states and one of the most populous megacities in the world the biotechnology sector is growing in the new york city area

[directory of usa and canadian pharmaceutical biot full pdf](#) - Jul 06 2022

web 2 directory of usa and canadian pharmaceutical biot 2021 03 04 auto museum directory usa supplement with canadian museums a c black drawn from the extensive database of guide to reference this up to date resource provides an annotated list of print and electronic biomedical and health related reference sources including

**about ucb in the united states ucb ucb usa com** - Dec 11 2022

web ucb a global biopharmaceutical company has several locations global headquarters are in brussels belgium with u s headquarters in atlanta georgia additional u s sites include global clinical development in raleigh north carolina our policy office in washington d c and research supporting ucb s pipeline

[biologics products establishments fda](#) - Sep 20 2023

web mar 7 2023 biologics products establishments share tweet print this page contains a listing of biological product approvals and clearances with supporting documents product manufacturer lists reports

**directory of usa and canadian pharmaceutical biot** - Feb 01 2022

web directory japanese affiliated companies in usa canada omnigraphics a keyword listing of serial titles currently received by the national library of medicine membership directory univ of california press

**directory of usa and canadian pharmaceutical biot 2023** - Aug 19 2023

web directory of usa and canadian pharmaceutical biot the united states of war jun 04 2023 2020 l a times book prize finalist history a provocative examination of how the u s military has shaped our entire world from today s costly endless wars to the prominence of violence in everyday american life

**directory of usa and canadian pharmaceutical biot pdf** - Sep 08 2022

web directory of usa and canadian pharmaceutical biot member that we come up with the money for here and check out the link you could buy guide directory of usa and canadian pharmaceutical biot or get it as soon as feasible

**directory of usa and canadian pharmaceutical biotechnology** - Jul 18 2023

web may 16 2023 directory of usa and canadian pharmaceutical biotechnology companies english edition by shanna landolt life sciences canada directory contact canada the top 10 biotechnology panies investopedia canadian journal of biotechnology

shanna landolt global major pharmaceutical panies directory 2019 category

*directory of usa and canadian pharmaceutical biot copy* - Jan 12 2023

web may 1 2023 directory of usa and canadian pharmaceutical biot 1 4 downloaded from uniport edu ng on may 1 2023 by guest directory of usa and canadian pharmaceutical biot as recognized adventure as skillfully as experience nearly lesson amusement as competently as accord

directory of usa and canadian pharmaceutical biot - Apr 03 2022

web directory of usa and canadian pharmaceutical biot link that we come up with the money for here and check out the link you could buy guide directory of usa and canadian pharmaceutical biot or get it as soon as feasible

**directory of usa and canadian pharmaceutical biot pdf** - Jun 17 2023

web directory of usa and canadian pharmaceutical biot 3 3 canada gazette university of toronto press the directory is a compendium of data on union membership and unions congresses and other labour organizations in canada it includes an alphabetical listing of union organizations the names and addresses of principal officers titles of union

list of pharmaceuticals companies in usa easyleadz - Oct 09 2022

web list of pharmaceuticals companies in usa get contact information of top decision makers like founder ceo cfo cmo cto marketing head hr head finance head along with headquarters no of employees revenue founded year industry in these companies below are the 100 companies with their top management contact details

directory of usa and canadian pharmaceutical biotechnology - Apr 15 2023

web jun 6 2023 life sciences canada directory contact canada pharmaceutical wholesalers distributors suppliers canada biotechnology master s and phd programs in canada a z index of u s government departments and agencies a pharmaceutical industry the canadian encyclopedia pharmaceutical biotechnology concepts and applications

directory of usa and canadian pharmaceutical biot 2022 - Mar 02 2022

web directory of usa and canadian pharmaceutical biot 1 directory of usa and canadian pharmaceutical biot canadian almanac directory source list of manuscripts relating to the u s a and canada directory of cancer research information resources management index directory of publishing 2012 canadian hospital directory

*text description map showing fda offices across the country* - Nov 10 2022

web district office pacific region office and laboratory southwest irvine ca office of criminal investigations los angeles ca office of criminal investigations phoenix az international

**free directory of usa and canadian pharmaceutical biot** - Aug 07 2022

web directory of usa and canadian pharmaceutical biot a combined system of microbial fuel cell and intermittently aerated nature com sep 23 2019 a combined system of microbial fuel cell and intermittently aerated nature com home war and

conflict year in review 2022 médecins sans frontières msf international dec 31 2022

*major equipment overhaul definition law insider* - Jan 25 2023

web examples of major equipment overhaul in a sentence the secretariat has approached the food and agriculture organisation to identify common grounds for future joint activities following a major equipment overhaul a functional trip test of the overhauled major equipment shall be performed and shall simulate abnormal trip conditions separately at

overhaul tgh aviation - Mar 15 2022

web why does it cost so much to overhaul my airspeed indicator overhauling an airspeed indicator is not as simple as you would think a typical overhaul includes all of the following steps total dis assembly and inspection determine and correct the cause of failure ultrasonic cleaning of all jewels pivots and gears reassemble internal

overhaul of instruments iae home docdatabase net - Apr 27 2023

web you can view this overhaul of instruments iae home pdf file on our website or you can download it as well overhaul of instruments iae home pdf view and downloadable pdf file about overhaul of instruments iae home pdf selected and prepared for you by browsing on search engines

*overhaul of instruments iae* - Sep 20 2022

web begin getting this info acquire the overhaul of instruments iae link that we present here and check out the link you could buy guide overhaul of instruments iae or acquire it as soon as feasible you could quickly download this overhaul of instruments iae after getting deal so afterward you require the ebook swiftly you can straight

*overhaul of instruments iae pdf free algoritmi pybossa* - Jul 31 2023

web introduction overhaul of instruments iae pdf free securing development bernard harbore 2017 03 01 securing development public finance and the security sector highlights the role of public finance in the delivery of security and criminal justice services

*overhaul of instruments iae* - Mar 27 2023

web 2 overhaul of instruments iae 2020 06 13 dual use goods and services ciimt ties in with the netherlands defence academy s vision on scientific education embedded in the reflective practitioners paradigm uniting both management and leadership skills needed to decide and operate in high tension and high risk knowledge intensive environments

*overhaul of instruments iae* - Sep 01 2023

web sep 22 2023 april 20th 2018 janitrol maintenance and overhaul manual 24e25 1 overhaul of instruments iae capability list issue 4 july 2003 page 2 ref caa 00588 1 filetype submitter taruas pugyahoo com read online

bangunrenovasirumahsemarang com april 18th 2018 airbus a320 engine overhaul

*overhaul of instruments iae* - Feb 23 2023

web sep 11 2023 overhaul of instruments iae iae v2500 revolvj janitrol repair manual guru10 net read online bangunrenovasi rumahsemarang com janitrol maintenance and overhaul manual 24e25 1 guru10 net free download here pdfsdocuments2 com maintenance repair amp overhaul products mrolinks power

**overhaul wiktionary the free dictionary** - Dec 24 2022

web aug 31 2023 a major repair renovation or revision coordinate terms rebuild remake reboot the engine required a complete overhaul to run properly 1961 march c p boocock the organisation of eastleigh locomotive works in trains illustrated page 159 one aim of the move from nine elms had been to speed up the overhaul of the company s

**overhaul of instruments iae** - Nov 22 2022

web april 10th 2018 webmaster instruments ready repair and overhaul services including the iae international aero engines ag iae overhaul amp maintenance 2010 11 01 aviation week february 10th 2018 overhaul amp maintenance 2010 11 01 pool access and overhaul of and it initially will repair common nacelle assemblies and tail cones for

overhaul of instruments iae cpanel urbnleaf com - Oct 02 2023

web overhaul of instruments iae rtx stock forecast price news nyse rtx marketbeat requiem for a trijet masterpiece the lockheed l 1011 airline reporter how the ec govt fixed dilapidated airport for uae royals daily maverick

**overhaul of instruments iae** - Aug 20 2022

web sep 5 2023 march 26th 2018 maintenance directory tap engines iae v2500 a1 r r 250 ae3007a1 ae2100 repair overhaul apu s instruments electrical v2500 engine maintenance manual 2017 2018 2019 ford april 24th 2018 keyword 1v2500 engine maintenance manual keyword 2 v2500 engine maintenance manual manual of

*overhaul of instruments iae* - May 29 2023

web april 23rd 2018 aircraft engine apu maintenance and overhaul amp repair this page and iae engines global mti instruments inc non contact measurement device company offers iae v2500 online kptm edu my 1 6

pdf overhaul of instruments iae pdf hipertexto udem edu co - Jun 29 2023

web inspection troubleshooting maintenance and overhaul propeller theory nomenclature and operation turbopropellers and control systems propeller installation inspection and maintenance engine indicating warning and control systems

**overhaul of instruments iae healthcheck radissonhotels com** - Apr 15 2022

web overhaul of instruments iae capability list if looking for a healthcheck radissonhotels com 2 17 overhaul of instruments iae ebook janitrol overhaul manual in pdf indian airlines jet engine overhaul complex march 25th 2018 this full fledged aero engine overhaul center is located at is equipped to test p amp w

**overhaul past tense conjugation in present past past** - Feb 11 2022

web future perfect tense he she it will shall have overhauled i will shall have overhauled you we they will shall have

overhauled

*overhaul of instruments iae* - May 17 2022

web overhaul of instruments iae 1 overhaul of instruments iae thank you very much for downloading overhaul of instruments iae as you may know people have look numerous times for their chosen novels like this overhaul of instruments iae but end up in harmful downloads rather than reading a good book with a cup of coffee in the afternoon

overhaul of instruments iae uniport edu ng - Jun 17 2022

web may 27 2023 overhaul of instruments iae 2 5 downloaded from uniport edu ng on may 27 2023 by guest reactor core materials 1958 marine propellers and propulsion john carlton 2012 10 30 the early development of the screw propeller propeller geometry the propeller environment the ship wake field propeller performance characteristics

overhaul of instruments iae portal nivbook co il - Oct 22 2022

web overhaul of instruments iae 3 3 systems and carburetors fuel injection systems reciprocating engine ignition and starting systems operation inspection maintenance and troubleshooting of reciprocating engines reciprocating engine overhaul practices principal parts construction types and nomenclature of gas turbine engines

**overhaul of instruments iae mpp2012 ime uerj** - Jul 19 2022

web manual overhaul of instruments download aspx iae capability list manufacturers for the nigerian oil and gas park scheme repair overhaul 43 iae instrumentation field instruments endress hauser for the provision of field