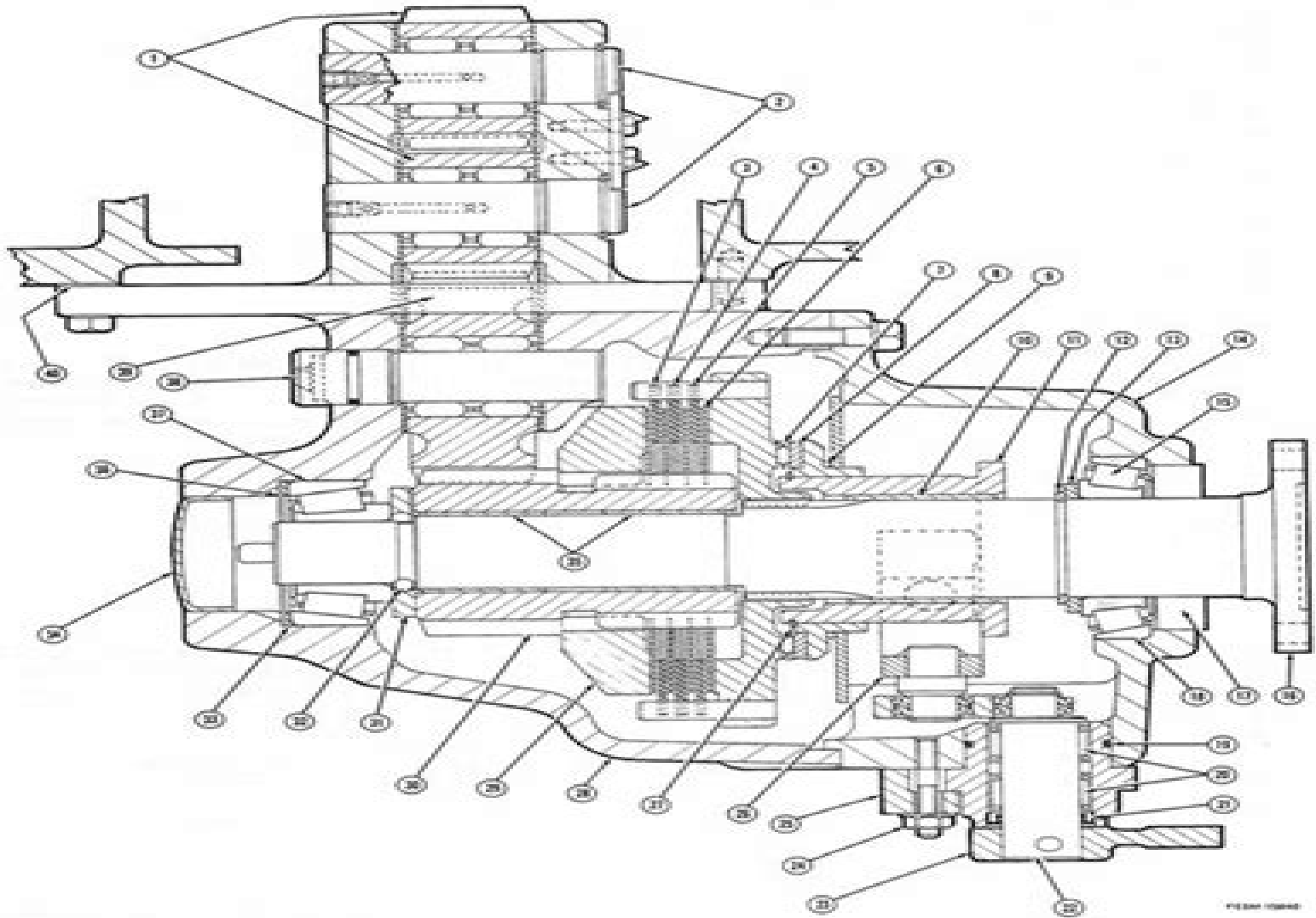


Gear Box Assembly



Ih 45engine Diagram

M Planty



Ih 45engine Diagram:

Embark on a transformative journey with Written by is captivating work, **Ih 45engine Diagram** . This enlightening ebook, available for download in a convenient PDF format PDF Size: , invites you to explore a world of boundless knowledge. Unleash your intellectual curiosity and discover the power of words as you dive into this riveting creation. Download now and elevate your reading experience to new heights .

https://staging.conocer.cide.edu/book/detail/HomePages/estimating_and_bidding_for_heavy_construction.pdf

Table of Contents Ih 45engine Diagram

1. Understanding the eBook Ih 45engine Diagram
 - The Rise of Digital Reading Ih 45engine Diagram
 - Advantages of eBooks Over Traditional Books
2. Identifying Ih 45engine Diagram
 - Exploring Different Genres
 - Considering Fiction vs. Non-Fiction
 - Determining Your Reading Goals
3. Choosing the Right eBook Platform
 - Popular eBook Platforms
 - Features to Look for in an Ih 45engine Diagram
 - User-Friendly Interface
4. Exploring eBook Recommendations from Ih 45engine Diagram
 - Personalized Recommendations
 - Ih 45engine Diagram User Reviews and Ratings
 - Ih 45engine Diagram and Bestseller Lists
5. Accessing Ih 45engine Diagram Free and Paid eBooks
 - Ih 45engine Diagram Public Domain eBooks
 - Ih 45engine Diagram eBook Subscription Services
 - Ih 45engine Diagram Budget-Friendly Options

6. Navigating Ih 45engine Diagram eBook Formats
 - ePub, PDF, MOBI, and More
 - Ih 45engine Diagram Compatibility with Devices
 - Ih 45engine Diagram Enhanced eBook Features
7. Enhancing Your Reading Experience
 - Adjustable Fonts and Text Sizes of Ih 45engine Diagram
 - Highlighting and Note-Taking Ih 45engine Diagram
 - Interactive Elements Ih 45engine Diagram
8. Staying Engaged with Ih 45engine Diagram
 - Joining Online Reading Communities
 - Participating in Virtual Book Clubs
 - Following Authors and Publishers Ih 45engine Diagram
9. Balancing eBooks and Physical Books Ih 45engine Diagram
 - Benefits of a Digital Library
 - Creating a Diverse Reading Collection Ih 45engine Diagram
10. Overcoming Reading Challenges
 - Dealing with Digital Eye Strain
 - Minimizing Distractions
 - Managing Screen Time
11. Cultivating a Reading Routine Ih 45engine Diagram
 - Setting Reading Goals Ih 45engine Diagram
 - Carving Out Dedicated Reading Time
12. Sourcing Reliable Information of Ih 45engine Diagram
 - Fact-Checking eBook Content of Ih 45engine Diagram
 - Distinguishing Credible Sources
13. Promoting Lifelong Learning
 - Utilizing eBooks for Skill Development
 - Exploring Educational eBooks
14. Embracing eBook Trends
 - Integration of Multimedia Elements

- Interactive and Gamified eBooks

Ih 45engine Diagram Introduction

In today's digital age, the availability of Ih 45engine Diagram books and manuals for download has revolutionized the way we access information. Gone are the days of physically flipping through pages and carrying heavy textbooks or manuals. With just a few clicks, we can now access a wealth of knowledge from the comfort of our own homes or on the go. This article will explore the advantages of Ih 45engine Diagram books and manuals for download, along with some popular platforms that offer these resources. One of the significant advantages of Ih 45engine Diagram books and manuals for download is the cost-saving aspect. Traditional books and manuals can be costly, especially if you need to purchase several of them for educational or professional purposes. By accessing Ih 45engine Diagram versions, you eliminate the need to spend money on physical copies. This not only saves you money but also reduces the environmental impact associated with book production and transportation. Furthermore, Ih 45engine Diagram books and manuals for download are incredibly convenient. With just a computer or smartphone and an internet connection, you can access a vast library of resources on any subject imaginable. Whether you're a student looking for textbooks, a professional seeking industry-specific manuals, or someone interested in self-improvement, these digital resources provide an efficient and accessible means of acquiring knowledge. Moreover, PDF books and manuals offer a range of benefits compared to other digital formats. PDF files are designed to retain their formatting regardless of the device used to open them. This ensures that the content appears exactly as intended by the author, with no loss of formatting or missing graphics. Additionally, PDF files can be easily annotated, bookmarked, and searched for specific terms, making them highly practical for studying or referencing. When it comes to accessing Ih 45engine Diagram books and manuals, several platforms offer an extensive collection of resources. One such platform is Project Gutenberg, a nonprofit organization that provides over 60,000 free eBooks. These books are primarily in the public domain, meaning they can be freely distributed and downloaded. Project Gutenberg offers a wide range of classic literature, making it an excellent resource for literature enthusiasts. Another popular platform for Ih 45engine Diagram books and manuals is Open Library. Open Library is an initiative of the Internet Archive, a non-profit organization dedicated to digitizing cultural artifacts and making them accessible to the public. Open Library hosts millions of books, including both public domain works and contemporary titles. It also allows users to borrow digital copies of certain books for a limited period, similar to a library lending system. Additionally, many universities and educational institutions have their own digital libraries that provide free access to PDF books and manuals. These libraries often offer academic texts, research papers, and technical manuals, making them invaluable resources for students and researchers. Some notable examples include MIT OpenCourseWare, which offers free access to course materials from the Massachusetts Institute of Technology, and the

Digital Public Library of America, which provides a vast collection of digitized books and historical documents. In conclusion, Ih 45engine Diagram books and manuals for download have transformed the way we access information. They provide a cost-effective and convenient means of acquiring knowledge, offering the ability to access a vast library of resources at our fingertips. With platforms like Project Gutenberg, Open Library, and various digital libraries offered by educational institutions, we have access to an ever-expanding collection of books and manuals. Whether for educational, professional, or personal purposes, these digital resources serve as valuable tools for continuous learning and self-improvement. So why not take advantage of the vast world of Ih 45engine Diagram books and manuals for download and embark on your journey of knowledge?

FAQs About Ih 45engine Diagram Books

1. Where can I buy Ih 45engine Diagram books? Bookstores: Physical bookstores like Barnes & Noble, Waterstones, and independent local stores. Online Retailers: Amazon, Book Depository, and various online bookstores offer a wide range of books in physical and digital formats.
2. What are the different book formats available? Hardcover: Sturdy and durable, usually more expensive. Paperback: Cheaper, lighter, and more portable than hardcovers. E-books: Digital books available for e-readers like Kindle or software like Apple Books, Kindle, and Google Play Books.
3. How do I choose a Ih 45engine Diagram book to read? Genres: Consider the genre you enjoy (fiction, non-fiction, mystery, sci-fi, etc.). Recommendations: Ask friends, join book clubs, or explore online reviews and recommendations. Author: If you like a particular author, you might enjoy more of their work.
4. How do I take care of Ih 45engine Diagram books? Storage: Keep them away from direct sunlight and in a dry environment. Handling: Avoid folding pages, use bookmarks, and handle them with clean hands. Cleaning: Gently dust the covers and pages occasionally.
5. Can I borrow books without buying them? Public Libraries: Local libraries offer a wide range of books for borrowing. Book Swaps: Community book exchanges or online platforms where people exchange books.
6. How can I track my reading progress or manage my book collection? Book Tracking Apps: Goodreads, LibraryThing, and Book Catalogue are popular apps for tracking your reading progress and managing book collections. Spreadsheets: You can create your own spreadsheet to track books read, ratings, and other details.
7. What are Ih 45engine Diagram audiobooks, and where can I find them? Audiobooks: Audio recordings of books, perfect

- for listening while commuting or multitasking. Platforms: Audible, LibriVox, and Google Play Books offer a wide selection of audiobooks.
8. How do I support authors or the book industry? Buy Books: Purchase books from authors or independent bookstores. Reviews: Leave reviews on platforms like Goodreads or Amazon. Promotion: Share your favorite books on social media or recommend them to friends.
 9. Are there book clubs or reading communities I can join? Local Clubs: Check for local book clubs in libraries or community centers. Online Communities: Platforms like Goodreads have virtual book clubs and discussion groups.
 10. Can I read Ih 45engine Diagram books for free? Public Domain Books: Many classic books are available for free as they're in the public domain. Free E-books: Some websites offer free e-books legally, like Project Gutenberg or Open Library.

Find Ih 45engine Diagram :

estimating and bidding for heavy construction

essential orthopaedics and trauma

essential mediterranean how regional cooks transform key ingredients into the worlds favorite cuisines

eternity reclaiming a passion for what endures

estonskii narodnyi kostium eesti rahvaroivad

essential php for web professionals

~~essentials of nursing research methods appraisal and utilization~~

essential otolaryngology head and neck surgery a board preparation and concise reference

essential trauma and emergency care

essentials of grammatical theory

estatuto juridico de los servicios esenciales economicos en red

essentials of anatomy and physiology for communicative disorders

eternal egypt a history of the great civ

~~essential structural technology for construction and architecture~~

estrogen power

Ih 45engine Diagram :

Example of Persuasive Business Letter I am writing you this letter in hopes that it will be published in the "Opinion" section of the Wally Grove Tribune. Swerving, speeding up, ... Writing persuasive request letters: tips and samples Nov 7, 2023 — The proper business letter format and examples of persuasive request letters: letter of recommendation request, character reference request ... 23 Example Persuasion Letters, Guides and Samples Discover persuasion letters written by experts plus guides and examples to create your own persuasion Letters. Effective Business Persuasion Letter Feb 20, 2017 — The proper business letter format and examples of persuasive request letters: letter of recommendation request, character reference request, ... Top 10 persuasive letter example ideas ... - Pinterest How to write business letters to convince your recipient to respond or act. The proper business letter format and examples of persuasive request letters: letter ... Chapter 11: Writing to Persuade Guidelines Writing to Persuade · What outcome do you want or can you realistically expect? · What exactly is your idea, cause, or product? · What are the social ... How to write a persuasive business letter Mar 15, 2021 — The first line should be the addressee's full name prefaced by their correct personal titles such as Mr, Mrs. Ms. or Dr if relevant. Your ... How to Write Persuasive Letters - wikiHow Be concise. Persuasive letters need to be brief and polite. Busy people seldom read such a letter if it's over a page or if the tone is nasty. Don' ... How To Write a Persuasive Cover Letter - Indeed Jul 3, 2023 — In order to get an interview offer, your application materials need to stand out. Here we discuss how to write a persuasive cover letter. The DNA of Customer Experience: How Emotions Drive ... If nothing else, this book is fascinating. Colin Shaw has dissected transactions into measurable steps based on the emotions agents evoke during an experience. The DNA of Customer Experience: How Emotions Drive ... by D Holder · 2008 · Cited by 3 — The premise of Colin Shaw's book The DNA of Customer Experience is that emotions drive value, and 50 per cent of customer experience is ... The DNA of Customer Experience: How emotions drive value. by C Shaw · 2001 · Cited by 293 — - Our customers tell us they feel we value them and look out for their best interest. To achieve this we spend time with them undertaking actions to make their ... The DNA of Customer Experience, How Emotions Drive ... Shaw (2007) , through his research, found the connection between customer's emotions and the effects on loyalty and spending (Figure 4). The author categorized ... How Emotions Drive a Customer Experience The DNA of Customer Experience: How Emotions Drive Value, by Colin Shaw, is available from www.beyondphilosophy.com/thought-leadership/books. Page 6. 6. The DNA of Customer Experience: How... by unknown author This book talks about the importance of creating a Customer Experience in very interesting and helpful ways. For example, Colin Shaw notes that each company has ... The DNA of Customer Experience: How Emotions Drive ... Colin Shaw demonstrates convincingly why building a great 'Customer Experience' is important to your company. He relates it to important clusters of emotions ... The DNA of Customer Experience Free Summary by Colin ... He relates it to important clusters of emotions that either destroy or drive added value, and create loyal customers. While the DNA metaphor is a bit ...

The DNA of Customer Experience: How Emotions Drive ... Aug 27, 2016 — The DNA of Customer Experience: How Emotions Drive Value (Paperback) ; 0 Items, Total: \$0.00 ; Total: \$0.00 ; Upcoming Events. We are currently ... The DNA of Customer Experience: How Emotions Drive ... The book adds to the body of knowledge about customer experience, developing a structure of 4 clusters of emotions and suggestions of ways to measure the ... Kappa alpha psi scroller manual pdf: Fill out & sign online Edit, sign, and share kappa alpha psi scroller manual pdf online. No need to install software, just go to DocHub, and sign up instantly and for free. Kappa Alpha Psi Scroller Manual 1946 Phi Nu Pi ... This primer for the pledge offers history, exercises, and a test on the pledge's knowledge. This contains information not found in ANY of the history book ... The Scroller's Club Manual by Ricky of Shambala, via Flickr Jun 1, 2012 — Jun 2, 2012 - The Scroller's Club Manual by Ricky of Shambala, via Flickr. Winter Issue - National Founders Day The fraternity originally published "The Scroller of Kappa Alpha Psi Fraternity, Inc. ... Scroller Club Manual. This manual was a guide which provided Scrollers ... The Scroller's Club Manual This book served as a guide for the pledging activities involved in preparing for initiation into Kappa Alpha Psi. Scrollers Club; Kappa Alpha PSI Fraternity Scrollers Club; Kappa Alpha PSI Fraternity ; T F P ; NYPL Catalog. This catalog provides online access to our holdings. Cataloging of the collection is ongoing ... 1964 SCROLLER CLUB HANDBOOK OF KAPPA ALPHA ... THE SCROLLER OF KAPPA ALPHA PSI edited by I W E Taylor, softbound, 108 pps., 6" by 9" cover, contents complete and binding good. Epub free Kappa alpha psi scrollers club manual (2023) Jun 9, 2023 — manual. Epub free Kappa alpha psi scrollers club manual (2023). The Scroller of Kappa Alpha Psi Fraternity, Inc Black Greek 101 Steppin' on ... Hymn Flashcards We'll keep thy faith and always will remember thee, dear scrollers club of noble Kappa Alpha Psi. ... KAPSI Study Guide. 138 terms. Profile Picture.