

FRAME

GENERAL

This section has a description and the service procedures for the parts of the frame. These parts include the frame, counterweight assembly, overhead guard, hydraulic tank, access panels, and label positions. (See FIGURE 1.) The procedure for removing the traction motor is also described in this section.

DESCRIPTION

The frame is a single weldment. The frame has mounts for the counterweight, overhead guard, tilt cylinders, steering axle, and drive axle assembly. The hydraulic tank is a plastic tank mounted in the right side of the frame on all of the XL series of lift trucks except the E3.50-5.50XL (E70-120XL, E70-120XL₂) series. On the E3.50-5.50XL (E70-120XL, E70-120XL₂) models, the hydraulic tank is part of the lift truck frame and is a welded steel unit. The lift trucks must have a hood over the battery, or a covered battery if a hood is not installed. The floor plates can be removed for access to the hydraulic systems. A panel in the bottom of the battery compartment can be removed for access to the traction

motor and the hydraulic pump motor. On the E3.50-5.50XL (E70-120XL, E70-120XL₂) models, this panel also gives access to the power steering pump motor. The SCR (silicon controlled rectifier) electronic controller and contactors are in the counterweight. A panel in the counterweight can be removed for access to the SCR controller and contactors.

The frames for the lift trucks are similar in design, but are different sizes for each XL series. The J1.25-1.75XL (E25-35XL) models with pneumatic tires have fenders welded to the frame because of the wider drive tires.

The E2.00-3.00XL (E40-60XL) lift trucks have frames made in four different configurations. The lift truck with the long [842 mm (33.1 in) battery compartment] frame has a larger battery compartment than the lift truck with the short [695 mm (27.4 in) battery compartment] frame. Some lift trucks have additional counterweight metal added to the frame in front of the steering axle because of differences in some battery weights. The remainder of the frame parts are the same.

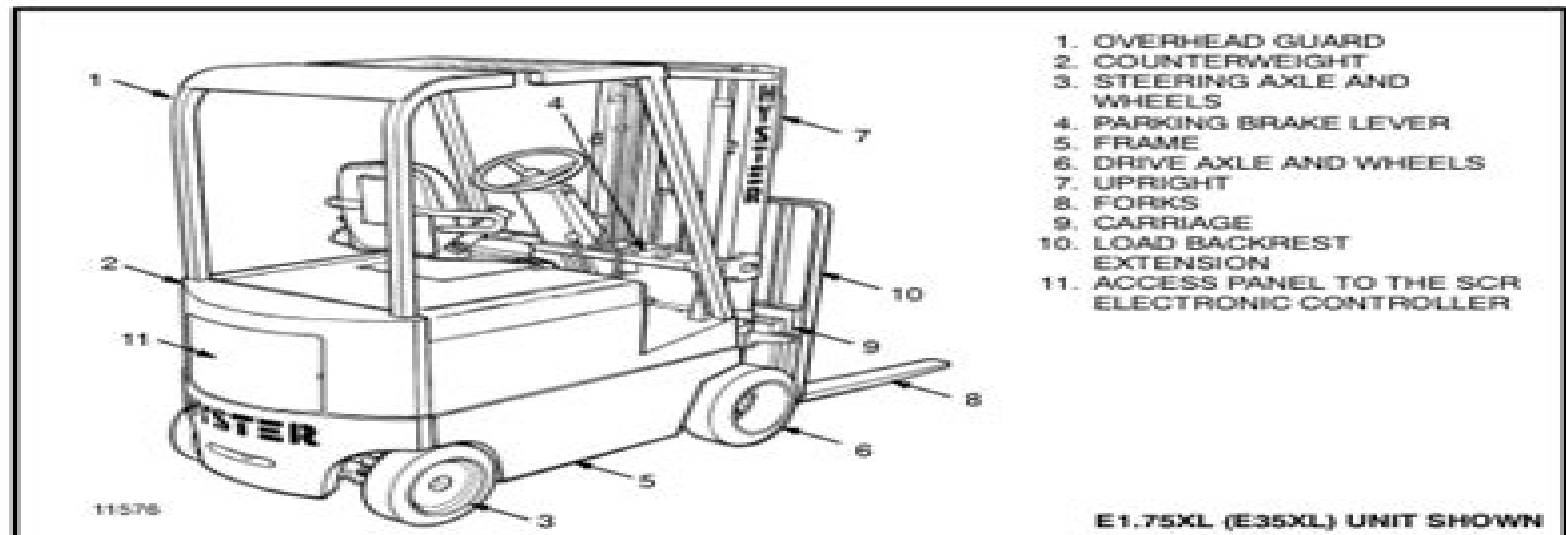


FIGURE 1. PARTS OF THE LIFT TRUCK

Hyster Forklift Repair Manual For E40xl

M Walker



Hyster Forklift Repair Manual For E40xl:

Adopting the Song of Term: An Mental Symphony within **Hyster Forklift Repair Manual For E40xl**

In a world consumed by screens and the ceaseless chatter of quick communication, the melodic beauty and psychological symphony developed by the written word often diminish in to the background, eclipsed by the constant sound and distractions that permeate our lives. But, situated within the pages of **Hyster Forklift Repair Manual For E40xl** a marvelous literary prize brimming with organic emotions, lies an immersive symphony waiting to be embraced. Crafted by an elegant musician of language, this charming masterpiece conducts visitors on a mental trip, well unraveling the hidden melodies and profound affect resonating within each cautiously crafted phrase. Within the depths of the touching examination, we can examine the book is key harmonies, analyze their enthralling writing fashion, and submit ourselves to the profound resonance that echoes in the depths of readers souls.

https://staging.conocer.cide.edu/About/browse/HomePages/go_gentle_into_the_night.pdf

Table of Contents Hyster Forklift Repair Manual For E40xl

1. Understanding the eBook Hyster Forklift Repair Manual For E40xl
 - The Rise of Digital Reading Hyster Forklift Repair Manual For E40xl
 - Advantages of eBooks Over Traditional Books
2. Identifying Hyster Forklift Repair Manual For E40xl
 - Exploring Different Genres
 - Considering Fiction vs. Non-Fiction
 - Determining Your Reading Goals
3. Choosing the Right eBook Platform
 - Popular eBook Platforms
 - Features to Look for in an Hyster Forklift Repair Manual For E40xl
 - User-Friendly Interface
4. Exploring eBook Recommendations from Hyster Forklift Repair Manual For E40xl
 - Personalized Recommendations

- Hyster Forklift Repair Manual For E40xl User Reviews and Ratings
- Hyster Forklift Repair Manual For E40xl and Bestseller Lists
- 5. Accessing Hyster Forklift Repair Manual For E40xl Free and Paid eBooks
 - Hyster Forklift Repair Manual For E40xl Public Domain eBooks
 - Hyster Forklift Repair Manual For E40xl eBook Subscription Services
 - Hyster Forklift Repair Manual For E40xl Budget-Friendly Options
- 6. Navigating Hyster Forklift Repair Manual For E40xl eBook Formats
 - ePub, PDF, MOBI, and More
 - Hyster Forklift Repair Manual For E40xl Compatibility with Devices
 - Hyster Forklift Repair Manual For E40xl Enhanced eBook Features
- 7. Enhancing Your Reading Experience
 - Adjustable Fonts and Text Sizes of Hyster Forklift Repair Manual For E40xl
 - Highlighting and Note-Taking Hyster Forklift Repair Manual For E40xl
 - Interactive Elements Hyster Forklift Repair Manual For E40xl
- 8. Staying Engaged with Hyster Forklift Repair Manual For E40xl
 - Joining Online Reading Communities
 - Participating in Virtual Book Clubs
 - Following Authors and Publishers Hyster Forklift Repair Manual For E40xl
- 9. Balancing eBooks and Physical Books Hyster Forklift Repair Manual For E40xl
 - Benefits of a Digital Library
 - Creating a Diverse Reading Collection Hyster Forklift Repair Manual For E40xl
- 10. Overcoming Reading Challenges
 - Dealing with Digital Eye Strain
 - Minimizing Distractions
 - Managing Screen Time
- 11. Cultivating a Reading Routine Hyster Forklift Repair Manual For E40xl
 - Setting Reading Goals Hyster Forklift Repair Manual For E40xl
 - Carving Out Dedicated Reading Time
- 12. Sourcing Reliable Information of Hyster Forklift Repair Manual For E40xl
 - Fact-Checking eBook Content of Hyster Forklift Repair Manual For E40xl

- Distinguishing Credible Sources
- 13. Promoting Lifelong Learning
 - Utilizing eBooks for Skill Development
 - Exploring Educational eBooks
- 14. Embracing eBook Trends
 - Integration of Multimedia Elements
 - Interactive and Gamified eBooks

Hyster Forklift Repair Manual For E40xl Introduction

In this digital age, the convenience of accessing information at our fingertips has become a necessity. Whether its research papers, eBooks, or user manuals, PDF files have become the preferred format for sharing and reading documents. However, the cost associated with purchasing PDF files can sometimes be a barrier for many individuals and organizations. Thankfully, there are numerous websites and platforms that allow users to download free PDF files legally. In this article, we will explore some of the best platforms to download free PDFs. One of the most popular platforms to download free PDF files is Project Gutenberg. This online library offers over 60,000 free eBooks that are in the public domain. From classic literature to historical documents, Project Gutenberg provides a wide range of PDF files that can be downloaded and enjoyed on various devices. The website is user-friendly and allows users to search for specific titles or browse through different categories. Another reliable platform for downloading Hyster Forklift Repair Manual For E40xl free PDF files is Open Library. With its vast collection of over 1 million eBooks, Open Library has something for every reader. The website offers a seamless experience by providing options to borrow or download PDF files. Users simply need to create a free account to access this treasure trove of knowledge. Open Library also allows users to contribute by uploading and sharing their own PDF files, making it a collaborative platform for book enthusiasts. For those interested in academic resources, there are websites dedicated to providing free PDFs of research papers and scientific articles. One such website is Academia.edu, which allows researchers and scholars to share their work with a global audience. Users can download PDF files of research papers, theses, and dissertations covering a wide range of subjects. Academia.edu also provides a platform for discussions and networking within the academic community. When it comes to downloading Hyster Forklift Repair Manual For E40xl free PDF files of magazines, brochures, and catalogs, Issuu is a popular choice. This digital publishing platform hosts a vast collection of publications from around the world. Users can search for specific titles or explore various categories and genres. Issuu offers a seamless reading experience with its user-friendly interface and allows users to download PDF files for offline reading. Apart from dedicated platforms, search engines also play a crucial role in finding free PDF files. Google, for

instance, has an advanced search feature that allows users to filter results by file type. By specifying the file type as "PDF," users can find websites that offer free PDF downloads on a specific topic. While downloading Hyster Forklift Repair Manual For E40xl free PDF files is convenient, it's important to note that copyright laws must be respected. Always ensure that the PDF files you download are legally available for free. Many authors and publishers voluntarily provide free PDF versions of their work, but it's essential to be cautious and verify the authenticity of the source before downloading Hyster Forklift Repair Manual For E40xl. In conclusion, the internet offers numerous platforms and websites that allow users to download free PDF files legally. Whether it's classic literature, research papers, or magazines, there is something for everyone. The platforms mentioned in this article, such as Project Gutenberg, Open Library, Academia.edu, and Issuu, provide access to a vast collection of PDF files. However, users should always be cautious and verify the legality of the source before downloading Hyster Forklift Repair Manual For E40xl any PDF files. With these platforms, the world of PDF downloads is just a click away.

FAQs About Hyster Forklift Repair Manual For E40xl Books

How do I know which eBook platform is the best for me? Finding the best eBook platform depends on your reading preferences and device compatibility. Research different platforms, read user reviews, and explore their features before making a choice. Are free eBooks of good quality? Yes, many reputable platforms offer high-quality free eBooks, including classics and public domain works. However, make sure to verify the source to ensure the eBook credibility. Can I read eBooks without an eReader? Absolutely! Most eBook platforms offer webbased readers or mobile apps that allow you to read eBooks on your computer, tablet, or smartphone. How do I avoid digital eye strain while reading eBooks? To prevent digital eye strain, take regular breaks, adjust the font size and background color, and ensure proper lighting while reading eBooks. What the advantage of interactive eBooks? Interactive eBooks incorporate multimedia elements, quizzes, and activities, enhancing the reader engagement and providing a more immersive learning experience. Hyster Forklift Repair Manual For E40xl is one of the best book in our library for free trial. We provide copy of Hyster Forklift Repair Manual For E40xl in digital format, so the resources that you find are reliable. There are also many Ebooks of related with Hyster Forklift Repair Manual For E40xl. Where to download Hyster Forklift Repair Manual For E40xl online for free? Are you looking for Hyster Forklift Repair Manual For E40xl PDF? This is definitely going to save you time and cash in something you should think about. If you trying to find then search around for online. Without a doubt there are numerous these available and many of them have the freedom. However without doubt you receive whatever you purchase. An alternate way to get ideas is always to check another Hyster Forklift Repair Manual For E40xl. This method for see exactly what may be included and adopt these ideas to your book. This site will almost certainly help you save time and effort, money and stress. If you are looking for free

books then you really should consider finding to assist you try this. Several of Hyster Forklift Repair Manual For E40xl are for sale to free while some are payable. If you arent sure if the books you would like to download works with for usage along with your computer, it is possible to download free trials. The free guides make it easy for someone to free access online library for download books to your device. You can get free download on free trial for lots of books categories. Our library is the biggest of these that have literally hundreds of thousands of different products categories represented. You will also see that there are specific sites catered to different product types or categories, brands or niches related with Hyster Forklift Repair Manual For E40xl. So depending on what exactly you are searching, you will be able to choose e books to suit your own need. Need to access completely for Campbell Biology Seventh Edition book? Access Ebook without any digging. And by having access to our ebook online or by storing it on your computer, you have convenient answers with Hyster Forklift Repair Manual For E40xl To get started finding Hyster Forklift Repair Manual For E40xl, you are right to find our website which has a comprehensive collection of books online. Our library is the biggest of these that have literally hundreds of thousands of different products represented. You will also see that there are specific sites catered to different categories or niches related with Hyster Forklift Repair Manual For E40xl So depending on what exactly you are searching, you will be able to choose ebook to suit your own need. Thank you for reading Hyster Forklift Repair Manual For E40xl. Maybe you have knowledge that, people have search numerous times for their favorite readings like this Hyster Forklift Repair Manual For E40xl, but end up in harmful downloads. Rather than reading a good book with a cup of coffee in the afternoon, instead they juggled with some harmful bugs inside their laptop. Hyster Forklift Repair Manual For E40xl is available in our book collection an online access to it is set as public so you can download it instantly. Our digital library spans in multiple locations, allowing you to get the most less latency time to download any of our books like this one. Merely said, Hyster Forklift Repair Manual For E40xl is universally compatible with any devices to read.

Find Hyster Forklift Repair Manual For E40xl :

go gentle into the night

~~goal your simple power guide to reach any goa~~

god among the shakers search for stillness and faith at sabbathday lake

go a guide to community outreach for youth groups

glutamine metabolism in mammalian tissues

globario del vetro veneziano dal trecento al novecento

global noise rap and hip hop outside the u. s. a.

god among us the gospel proclaimed

god calls us to maturity not perfection

god at work in israel

global employment trends world employment reports

globe high school math teachers edition

globe earth science globe earth science

global social policy international organizations and the future of welfare

global information technology and electronic commerce

Hyster Forklift Repair Manual For E40xl :

Physics for Scientists and Engineers with Modern ... Jan 4, 2016 — Physics for Scientists and Engineers with Modern Physics, 3rd & 4th Edition Solutions. Chapter 1. Chapter 1 Solutions Manual. 2 solutions. Student Solutions Manual: for Physics for Engineers and ... Amazon.com: Student Solutions Manual: for Physics for Engineers and Scientists, Third Edition: 9780393929805: Luzader, Hang-Deng, Luzader, Stephen, Marx, ... Student Solutions Manual For Physics For Scientists And ... We have solutions for your book! Solutions. Student Solutions Manual for Physics for Scientists and Engineers (3rd) Edition 0321747674 9780321747679. by ... Solutions manual for physics for scientists and engineers ... Apr 22, 2018 — Solutions Manual for Physics for Scientists and Engineers 3rd Edition by Knight Full clear download(no error formatting) at: http ... Student Solutions Manual for Physics... by Randall D. Knight ... Solutions Manual for Physics for Scientists and Engineers A Strategic Approach Vol. 2[Chs 20-42] by Knight, Randall D. [Addison-Wesley,2012] [Paperback] 3RD Physics For Scientists And Engineers Solution Manual 3rd ... Physics For Scientists And Engineers Solution Manual 3rd. Edition Pdf Pdf. INTRODUCTION Physics For Scientists And Engineers. Solution Manual 3rd Edition ... Physics for Scientists and Engineers 3e Knight Solutions ... Physics for Scientists and Engineers 3e Knight Solutions Manual. 462 likes. Solutions manual for Physics for Scientists and Engineers: A Strategic... Physics for Scientists and Engineers: A Strategic Approach ... 3rd Edition, you'll learn how to solve your toughest homework problems. Our resource for Physics for Scientists and Engineers: A Strategic Approach includes ... Solutions Manual Physics for Scientists and Engineers 3rd ... Solutions Manual Physics for Scientists and Engineers 3rd edition by Randall D. Knight. Solutions Manual Physics for Scientists and Engineers 3rd edition by ... Student Solutions Manual: for Physics for Engineers and ... Student Solutions Manual: for Physics for Engineers and Scientists, Third Edition by Luzader, Hang-Deng; Luzader, Stephen; Marx, David - ISBN 10: 0393929795 ... Vintage Mercruiser Model 888 Operation and ... - eBay Vintage Mercruiser Model 888 Operation and Maintenance Manual. Part number C-90-63570 revision 1-12-72 (1972). Average condition original manual. MERCURY MERCUISER MC888 STERN DRIVE UNITS ... Oct 17, 2021 — Read MERCURY MERCUISER MC888 STERN DRIVE UNITS AND MARINE ENGINE

(1974-1977) Service Repair Manual SN□37 by u4c2eik on Issuu and browse ... 1976 1977 Mercruiser Operation Manual Model 888 233 ... 1976 1977 Mercruiser Operation Manual Model 888 233 Pocket Service Guide Lot ; Condition. Used ; Quantity. 1 available ; Item Number. 266266005332 ; Accurate ... merCruiser MerCruiser 888-2255-233. 3784375 and Above. MerCruiser 120-260. 4890460 and Up ... proper service manual - Section 1 General Information. C Screw [torque to 28 ... Mercury mercruiser mcm888 stern drive units and marine ... Feb 11, 2018 — Mercury mercruiser mcm888 stern drive units and marine engine (1974 1977) service repair manual sn□3777490 and below - Download as a PDF or ... Mercruiser Stern Drive Operation & Maintenance Manual ... Service Tools · Throttle Shift Control Cables · 4300/43 Series Cable 1/4 - 28 ... Mercruiser Stern Drive Operation & Maintenance Manual Models 888 ... MERCUISER: Books MERCURY MERCUISER #9 MARINE ENGINES GM V-8 CYLINDER SERVICE MANUAL 90-14499 ... JULY 1973 MERCUISER 888 ENGINE PARTS MANUAL (762). by Mercruiser. Paperback. Mercruiser 888 | Boat Repair Forum Nov 18, 2013 — Hello, I am new here and trying to get a little information on this Mercruiser 888. It is in a 1976 Steury 18 foot runabout. 1977 Mercruiser 888 Repair Manual pdf - Boating Forum Apr 1, 2012 — Would anyone happen to have the repair manual for the boat I recently bought in a pdf format? 1977 Marquis with a Mercruiser 888 v8 302 Ford ... Test-Bank-for-Business-and-Society-Ethics-Sustainability- ... View Test prep - Test-Bank-for-Business-and-Society-Ethics-Sustainability-and-Stakeholder-Management-8th-Edition-Arch from MARKETING 1010 at Macomb ... Stakeholder Management Carroll 8th Edition Test Bank Business and Society Ethics Sustainability and Stakeholder Management Carroll 8th Edition Test Bank Download - Free download as PDF File (.pdf), ... Full Download Business and Society Ethics Sustainability ... Full Download Business and Society Ethics Sustainability and Stakeholder Management 8th Edition Carroll Test Bank - Free download as PDF File (.pdf), ... Business and Society Ethics Sustainability and ... Mar 2, 2023 — Business and Society Ethics Sustainability and Stakeholder Management 8th Edition Carroll Test Bank Full download: <http://testbanktip.com> ... Donloadable Test Bank for Business A Changing World ... Donloadable Test Bank for Business A Changing World 8th Edition Ferrell 2 ; Chapter 02 · True / False Questions ; Multiple Choice Questions. 7. The principles and ... Test Bank for Business and Society: Ethics, Sustainability ... Test Bank for Business and Society: Ethics, Sustainability, and Stakeholder Management, 9th Edition, Archie B. Carroll, Ann K. Buchholtz, ISBN-10: 1285734297, ... Statistics for Business and Economics 8th Edition Newbold ... Mar 14, 2023 — Statistics for Business and Economics 8th Edition Newbold Test Bank Full download: ... Test Bank for Business Driven Technology 8th Edition ... May 31, 2023 — Test Bank for Business Driven Technology 8th Edition Baltzan / All Chapters 1 - 19 / Full Complete. Ethics and Stakeholder Management, 7th Edition Business & Society: Ethics and Stakeholder Management, Seventh Edition, ... Test Bank so that they may be duplicated and used in class ! A revised Instructor's ...