

HP LaserJet 1160 and HP LaserJet 1320 Series printers base models

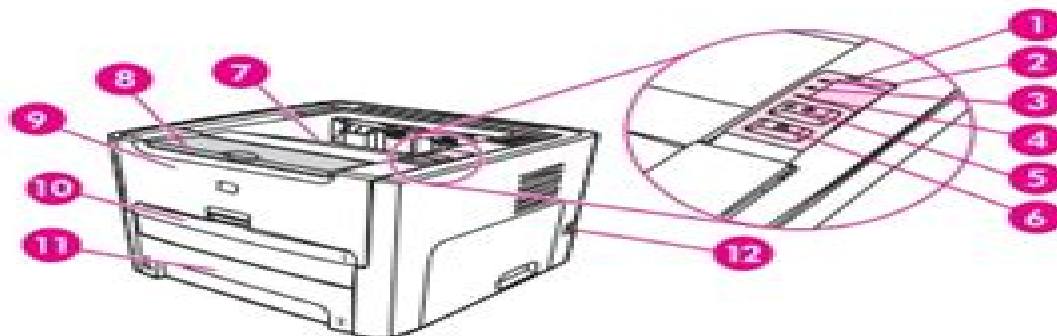


Figure 1-1.

Front/right-side view

- 1 Wireless light (HP LaserJet 1320nw printer only)
- 2 Toner light
- 3 Attention light
- 4 Ready light
- 5 Go button and light
- 6 Cancel button
- 7 Output bin
- 8 Media support
- 9 Print-cartridge door
- 10 Single-sheet priority input slot (tray 1)
- 11 Main input tray (tray 2)
- 12 On/off switch

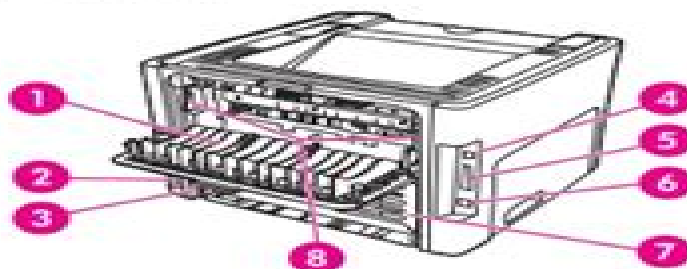


Figure 1-2.

Rear/left-side view

- 1 Straight-through output door
- 2 Power receptacle
- 3 Automatic two-sided printing media-size selector
- 4 USB port
- 5 Parallel port (HP LaserJet 1160 and HP LaserJet 1320 printers)
- 6 Internal HP Jetdirect network port (HP LaserJet 1320n, HP LaserJet 1320tn, and HP LaserJet 1320nw printers)
- 7 Rear automatic two-sided path door
- 8 Jam-clearing levers

Hp Laserjet 1320 Manual Troubleshooting

AN Whitehead



Hp Laserjet 1320 Manual Troubleshooting:

Thank you categorically much for downloading **Hp Laserjet 1320 Manual Troubleshooting**. Maybe you have knowledge that, people have look numerous time for their favorite books afterward this Hp Laserjet 1320 Manual Troubleshooting, but end happening in harmful downloads.

Rather than enjoying a fine book considering a cup of coffee in the afternoon, on the other hand they juggled later some harmful virus inside their computer. **Hp Laserjet 1320 Manual Troubleshooting** is affable in our digital library an online right of entry to it is set as public as a result you can download it instantly. Our digital library saves in fused countries, allowing you to acquire the most less latency era to download any of our books as soon as this one. Merely said, the Hp Laserjet 1320 Manual Troubleshooting is universally compatible next any devices to read.

<https://staging.conocer.cide.edu/results/virtual-library/fetch.php/Lg%20Wm%202277hw%20Manual.pdf>

Table of Contents Hp Laserjet 1320 Manual Troubleshooting

1. Understanding the eBook Hp Laserjet 1320 Manual Troubleshooting
 - The Rise of Digital Reading Hp Laserjet 1320 Manual Troubleshooting
 - Advantages of eBooks Over Traditional Books
2. Identifying Hp Laserjet 1320 Manual Troubleshooting
 - Exploring Different Genres
 - Considering Fiction vs. Non-Fiction
 - Determining Your Reading Goals
3. Choosing the Right eBook Platform
 - Popular eBook Platforms
 - Features to Look for in an Hp Laserjet 1320 Manual Troubleshooting
 - User-Friendly Interface
4. Exploring eBook Recommendations from Hp Laserjet 1320 Manual Troubleshooting
 - Personalized Recommendations
 - Hp Laserjet 1320 Manual Troubleshooting User Reviews and Ratings

- Hp Laserjet 1320 Manual Troubleshooting and Bestseller Lists
- 5. Accessing Hp Laserjet 1320 Manual Troubleshooting Free and Paid eBooks
 - Hp Laserjet 1320 Manual Troubleshooting Public Domain eBooks
 - Hp Laserjet 1320 Manual Troubleshooting eBook Subscription Services
 - Hp Laserjet 1320 Manual Troubleshooting Budget-Friendly Options
- 6. Navigating Hp Laserjet 1320 Manual Troubleshooting eBook Formats
 - ePub, PDF, MOBI, and More
 - Hp Laserjet 1320 Manual Troubleshooting Compatibility with Devices
 - Hp Laserjet 1320 Manual Troubleshooting Enhanced eBook Features
- 7. Enhancing Your Reading Experience
 - Adjustable Fonts and Text Sizes of Hp Laserjet 1320 Manual Troubleshooting
 - Highlighting and Note-Taking Hp Laserjet 1320 Manual Troubleshooting
 - Interactive Elements Hp Laserjet 1320 Manual Troubleshooting
- 8. Staying Engaged with Hp Laserjet 1320 Manual Troubleshooting
 - Joining Online Reading Communities
 - Participating in Virtual Book Clubs
 - Following Authors and Publishers Hp Laserjet 1320 Manual Troubleshooting
- 9. Balancing eBooks and Physical Books Hp Laserjet 1320 Manual Troubleshooting
 - Benefits of a Digital Library
 - Creating a Diverse Reading Collection Hp Laserjet 1320 Manual Troubleshooting
- 10. Overcoming Reading Challenges
 - Dealing with Digital Eye Strain
 - Minimizing Distractions
 - Managing Screen Time
- 11. Cultivating a Reading Routine Hp Laserjet 1320 Manual Troubleshooting
 - Setting Reading Goals Hp Laserjet 1320 Manual Troubleshooting
 - Carving Out Dedicated Reading Time
- 12. Sourcing Reliable Information of Hp Laserjet 1320 Manual Troubleshooting
 - Fact-Checking eBook Content of Hp Laserjet 1320 Manual Troubleshooting
 - Distinguishing Credible Sources

13. Promoting Lifelong Learning
 - Utilizing eBooks for Skill Development
 - Exploring Educational eBooks
14. Embracing eBook Trends
 - Integration of Multimedia Elements
 - Interactive and Gamified eBooks

Hp Laserjet 1320 Manual Troubleshooting Introduction

In this digital age, the convenience of accessing information at our fingertips has become a necessity. Whether its research papers, eBooks, or user manuals, PDF files have become the preferred format for sharing and reading documents. However, the cost associated with purchasing PDF files can sometimes be a barrier for many individuals and organizations. Thankfully, there are numerous websites and platforms that allow users to download free PDF files legally. In this article, we will explore some of the best platforms to download free PDFs. One of the most popular platforms to download free PDF files is Project Gutenberg. This online library offers over 60,000 free eBooks that are in the public domain. From classic literature to historical documents, Project Gutenberg provides a wide range of PDF files that can be downloaded and enjoyed on various devices. The website is user-friendly and allows users to search for specific titles or browse through different categories. Another reliable platform for downloading Hp Laserjet 1320 Manual Troubleshooting free PDF files is Open Library. With its vast collection of over 1 million eBooks, Open Library has something for every reader. The website offers a seamless experience by providing options to borrow or download PDF files. Users simply need to create a free account to access this treasure trove of knowledge. Open Library also allows users to contribute by uploading and sharing their own PDF files, making it a collaborative platform for book enthusiasts. For those interested in academic resources, there are websites dedicated to providing free PDFs of research papers and scientific articles. One such website is Academia.edu, which allows researchers and scholars to share their work with a global audience. Users can download PDF files of research papers, theses, and dissertations covering a wide range of subjects. Academia.edu also provides a platform for discussions and networking within the academic community. When it comes to downloading Hp Laserjet 1320 Manual Troubleshooting free PDF files of magazines, brochures, and catalogs, Issuu is a popular choice. This digital publishing platform hosts a vast collection of publications from around the world. Users can search for specific titles or explore various categories and genres. Issuu offers a seamless reading experience with its user-friendly interface and allows users to download PDF files for offline reading. Apart from dedicated platforms, search engines also play a crucial role in finding free PDF files. Google, for instance, has an advanced search feature that allows users to filter results by file type. By specifying the file type as "PDF,"

users can find websites that offer free PDF downloads on a specific topic. While downloading Hp Laserjet 1320 Manual Troubleshooting free PDF files is convenient, its important to note that copyright laws must be respected. Always ensure that the PDF files you download are legally available for free. Many authors and publishers voluntarily provide free PDF versions of their work, but its essential to be cautious and verify the authenticity of the source before downloading Hp Laserjet 1320 Manual Troubleshooting. In conclusion, the internet offers numerous platforms and websites that allow users to download free PDF files legally. Whether its classic literature, research papers, or magazines, there is something for everyone. The platforms mentioned in this article, such as Project Gutenberg, Open Library, Academia.edu, and Issuu, provide access to a vast collection of PDF files. However, users should always be cautious and verify the legality of the source before downloading Hp Laserjet 1320 Manual Troubleshooting any PDF files. With these platforms, the world of PDF downloads is just a click away.

FAQs About Hp Laserjet 1320 Manual Troubleshooting Books

What is a Hp Laserjet 1320 Manual Troubleshooting PDF? A PDF (Portable Document Format) is a file format developed by Adobe that preserves the layout and formatting of a document, regardless of the software, hardware, or operating system used to view or print it. **How do I create a Hp Laserjet 1320 Manual Troubleshooting PDF?** There are several ways to create a PDF: Use software like Adobe Acrobat, Microsoft Word, or Google Docs, which often have built-in PDF creation tools. Print to PDF: Many applications and operating systems have a "Print to PDF" option that allows you to save a document as a PDF file instead of printing it on paper. Online converters: There are various online tools that can convert different file types to PDF. **How do I edit a Hp Laserjet 1320 Manual Troubleshooting PDF?** Editing a PDF can be done with software like Adobe Acrobat, which allows direct editing of text, images, and other elements within the PDF. Some free tools, like PDFescape or Smallpdf, also offer basic editing capabilities. **How do I convert a Hp Laserjet 1320 Manual Troubleshooting PDF to another file format?** There are multiple ways to convert a PDF to another format: Use online converters like Smallpdf, Zamzar, or Adobe Acrobats export feature to convert PDFs to formats like Word, Excel, JPEG, etc. Software like Adobe Acrobat, Microsoft Word, or other PDF editors may have options to export or save PDFs in different formats. **How do I password-protect a Hp Laserjet 1320 Manual Troubleshooting PDF?** Most PDF editing software allows you to add password protection. In Adobe Acrobat, for instance, you can go to "File" -> "Properties" -> "Security" to set a password to restrict access or editing capabilities. Are there any free alternatives to Adobe Acrobat for working with PDFs? Yes, there are many free alternatives for working with PDFs, such as: LibreOffice: Offers PDF editing features. PDFsam: Allows splitting, merging, and editing PDFs. Foxit Reader: Provides basic PDF viewing and editing

capabilities. How do I compress a PDF file? You can use online tools like Smallpdf, ILovePDF, or desktop software like Adobe Acrobat to compress PDF files without significant quality loss. Compression reduces the file size, making it easier to share and download. Can I fill out forms in a PDF file? Yes, most PDF viewers/editors like Adobe Acrobat, Preview (on Mac), or various online tools allow you to fill out forms in PDF files by selecting text fields and entering information. Are there any restrictions when working with PDFs? Some PDFs might have restrictions set by their creator, such as password protection, editing restrictions, or print restrictions. Breaking these restrictions might require specific software or tools, which may or may not be legal depending on the circumstances and local laws.

Find Hp Laserjet 1320 Manual Troubleshooting :

lg wm 2277hw manual

[liebherr excavator r 914 924 904 900b 944 934 service manual 9658 now 9668](#)

life orientation grade 10 2014 question paper

[lhomme agrave quel prix](#)

[life orientation grade 11 exemplar papers memo](#)

[library manual procedure school](#)

[lhomme incendieacute le roman de giordano bruno](#)

liebherr r924b manual

[life goals paper](#)

[life after a divorce guides for divorce series](#)

[liebherr a902 hydraulic excavator operation maintenance manual from serial number 2001](#)

lhistoire de makkah almoukarramah

[libeacuterezvous et reacuteveacutelez votre plein potentiel](#)

[life orientation grade 11 final examination 2013](#)

[lhistoire de la terre](#)

Hp Laserjet 1320 Manual Troubleshooting :

elapsed time 4th grade math worksheet greatschools - Jun 13 2023

web this math worksheet presents your child with word problems about how much time has passed math grade 4th

[elapsed time grade 4 youtube - Dec 07 2022](#)

web objective this video aims to help you learn how to solve for the elapsed time be part of the family like and follow us on our facebook page mathuto

elapsed time worksheets 4th grade cuemath - Jan 08 2023

web elapsed time worksheets 4th grade lay out practice questions on finding start time and end time finding elapsed time from analog and digital clock identify fast clock and slow clock and emphasize on the use of am and pm depending on how much time went by in various scenarios

grade 4 mathematics module elapsed time deped tambayan - Apr 11 2023

web this is called elapsed time elapsed time identifies how long you had been doing an activity like reading cooking browsing the internet cleaning etc you will also learn to estimate elapsed time in minutes and seconds which is an essential skill in telling time real life problems are also presented for you to know how important elapsed

elapsed time problem rubric grade 4 shaul io - Aug 15 2023

web elapsed time problem rubric grade 4 is available in our book collection an online access to it is set as public so you can get it instantly our book servers saves in multiple countries allowing you to get the most less latency time to download any of our books like this one

quizz free online quizzes lessons activities and homework - Aug 03 2022

web moved permanently redirecting to admin quiz 5af59ebfef2a610019d5b406 3rd grade elapsed time

elapsed time problem rubric grade 4 pdf download - Jun 01 2022

web beginning in third grade students should be able to tell and write time to the nearest minute and solve word problems involving addition and subtraction of time reinforce these essential skills with the following elapsed time word problems and games

elapsed time 4th grade math class ace - May 12 2023

web the elapsed time from 7 35 to 7 55 is 20 minutes tip there is no single rule on what interval to use the idea is to pick the interval that s easiest for you

elapsed time for grade 4 worksheets learny kids - Nov 06 2022

web elapsed time for grade 4 displaying top 8 worksheets found for elapsed time for grade 4 some of the worksheets for this concept are elapsed time nearest hour es1 elapsed time elapsed time elapsed time nearest quarter es1 grade 2 time work elapsed time number line measurement and data 2 92measurmnts time word problems

elapsed time problem rubric grade 4 pdf ftp popcake - Jul 02 2022

web 2 elapsed time problem rubric grade 4 2020 08 09 probability each topic area contains individual skills and concepts that match the learning expectations of the curriculum mastering math can be used to support the standard classroom

curriculum as every learning expectation in the year s curriculum is included mastering math is also an

elapsed time problem rubric grade 4 pdf pdf tax clone ortax - Jan 28 2022

web beautifully drawn figures the emphasis of this book is placed squarely on the problems each chapter contains carefully chosen worked examples which explain not only the solutions to the problems but also describe in close detail how one would invent the solution to begin with the text contains a selection of 300 practice problems of varying

elapsed time problem rubric grade 4 pdf uniport edu - Jul 14 2023

web jun 2 2023 elapsed time problem rubric grade 4 is available in our digital library an online access to it is set as public so you can download it instantly our books collection spans in multiple countries allowing you to get the most less latency time to download

elapsed time problem rubric grade 4 pdf uniport edu - Sep 04 2022

web line this online pronouncement elapsed time problem rubric grade 4 can be one of the options to accompany you similar to having extra time it will not waste your time believe me the e book will unquestionably song you new concern to read just invest little time to log on this on line broadcast elapsed time problem rubric grade 4 as

elapsed time problem rubric grade 4 secure4 khronos - Apr 30 2022

web size 10 86mb get elapsed time problem rubric grade 4 ppt leech elapsed time problem rubric grade 4 mobi irubric c8ccc9 a generic rubric for scoring student created elapsed time word problems free rubric builder and assessment tools browse and read elapsed time problem rubric grade 4 elapsed time problem rubric grade 4 why should

elapsed time problem rubric grade 4 pdf uniport edu - Dec 27 2021

web jun 16 2023 elapsed time problem rubric grade 4 2 8 downloaded from uniport edu ng on june 16 2023 by guest promotion and tenure review learning assessment techniques provides 50 easy to implement active learning techniques that gauge student learning across academic disciplines and learning environments

grade 4 time word problem worksheets k5 learning - Feb 09 2023

web below are three versions of our grade 4 math worksheet with word problems involving time and elapsed time students must figure out what time it was will be or how much time went by in the various scenarios described use of am and pm is emphasized these worksheets are pdf files

4th grade elapsed time word problems lumos learning - Mar 10 2023

web when time passes by you say it elapses four years elapse while you are in high school nine months elapse while you are in the womb if two weeks have elapsed between your tennis lessons there has been a two week lapse between sessions the word elapse comes from the latin word elabi which means to slip away

elapsed time problem rubric grade 4 pdf - Mar 30 2022

web elapsed time problem rubric grade 4 elapsed time problem rubric grade 4 2 downloaded from klantenhandboek dutchgiraffe com on 2020 02 02 by guest administering and using the civil justice system everyday mathematics teacher s lesson guide v 1 v 3 teacher s lesson guide v 2 2004 maths practice book grade 5 time math

elapsed time problem rubric grade 4 - Oct 05 2022

web elapsed time problem rubric grade 4 menu home translate read a vampire s guide to adulting vampire innocent book 10 kindle editon the hunt for zero point inside the classified world of antigravity technology add comment a vampire s guide to adulting vampire innocent book 10 edit

elapsed time problem rubric grade 4 download only - Feb 26 2022

web 4 4 elapsed time problem rubric grade 4 2023 05 18 c validation of the theory d generalizability of the theory across cultures ethnicities and genders e the use and application of the theory f critiques of the theory g any instruments associated with the theory and h two to five particular studies exemplifying particular

spijt de filmeditie dutch edition pdf uniport edu - May 11 2023

web may 25 2023 **spijt de filmeditie dutch edition 2 10** downloaded from uniport edu ng on may 25 2023 by guest breaking book is the first study of young readers cognitive and

spijt de filmeditie dutch edition copy uniport edu - Dec 26 2021

web may 29 2023 **spijt de filmeditie dutch edition 2 9** downloaded from uniport edu ng on may 29 2023 by guest english to edgar taylor s justification of the first translation into

spijt de filmeditie dutch edition by carry slee speakings gestamp - Sep 03 2022

web jun 8 2023 put the **spijt de filmeditie dutch edition** by carry slee is globally compatible with any devices to read we settle for **spijt de filmeditie dutch**

spijt de filmeditie dutch edition uniport edu - Nov 24 2021

web may 30 2023 edition of scott sernau s acclaimed text provides a sociological framework for analyzing inequality within the united states in the context of global stratification and

*amazon com customer reviews **spijt de filmeditie dutch edition*** - Apr 10 2023

web find helpful customer reviews and review ratings for **spijt de filmeditie dutch edition** at amazon com read honest and unbiased product reviews from our users

spijt de filmeditie dutch edition uniport edu - Feb 25 2022

web mar 18 2023 **dutch edition** as one of the most functional sellers here will no question be along with the best options to review on the water h m van den brink 2001 a highly

spijt de filmeditie dutch edition kindle edition amazon com - Jul 13 2023

web jul 6 2012 amazon com spijt de filmeditie dutch edition ebook slee carry kindle store

spijt de filmeditie dutch edition uniport edu - Aug 02 2022

web mar 15 2023 spijt de filmeditie dutch edition 2 8 downloaded from uniport edu ng on march 15 2023 by guest verfilmd door regisseur dave schram o a kruimeltje pietje

spijt de filmeditie dutch edition pdf uniport edu - Jul 01 2022

web spijt de filmeditie dutch edition 1 1 downloaded from uniport edu ng on september 8 2023 by guest spijt de filmeditie dutch edition when people should go to the ebook

spijt kijk nu online bij pathé thuis - Mar 09 2023

web jun 20 2013 spijt kijk bij pathé thuis 4van de5sterren 95 minuten nederlands drama familiefilm nederlands release 20 06 2013 jochem voelt zich niet erg gelukkig in de

spijt de filmeditie ebook slee carry amazon nl boeken - Aug 14 2023

web spijt verwoordt als geen enkel ander boek wat de impact van pesten is voor alle betrokkenen het boek werd bekroond door de nederlandse kinderjury en de jonge

spijt de filmeditie dutch edition francine houben - Jan 07 2023

web the expense of spijt de filmeditie dutch edition and numerous book collections from fictions to scientific research in any way in the course of them is this spijt de filmeditie

spijt de filmeditie dutch edition by carry slee bespoke cityam - Mar 29 2022

web 6th 2012 by carry slee kindle edition 144 pages author s carry slee asin b00o7tz0ly edition language spijt de filmeditie dutch edition und über 8 millionen weitere bücher

spijt de film facebook - Oct 04 2022

web spijt de film 19 411 likes nu in de bioscoop spijt is de volgende in de reeks boekverfilmingen van carry slee

spijt de filmeditie dutch edition pdf download only - May 31 2022

web spijt de filmeditie dutch edition pdf in a fast paced digital era where connections and knowledge intertwine the enigmatic realm of language reveals its inherent magic its

spijt de filmeditie 9789049926496 amazon com books - Oct 24 2021

web spijt de filmeditie on amazon com free shipping on qualifying offers spijt de filmeditie

spijt filmi izle 2013 sinema delisi - Nov 05 2022

web türkçe altyazılı imdb 7 1 aile dram jochem in sınıf arkadaşı david tarafından zorbalığa maruz kalışı konu ediliyor bu zorbalığın nedeni jochem in kilolu olmasıyken david

spijt vanaf 19 november 2022 op netflix netflix hbo max - Dec 06 2022

web spijt 7 2 genres drama family music releasejaar 2013 regisseur dave schram 95 min bekijk op imdb com bekijk op netflix bekijk op hbo bekijk op pathé thuis kijk

spijt de filmeditie dutch edition uniport edu - Jan 27 2022

web spijt de filmeditie dutch edition 1 8 downloaded from uniport edu ng on april 10 2023 by guest spijt de filmeditie dutch edition this is likewise one of the factors by obtaining

[spijt de filmeditie dutch edition uniport edu](#) - Apr 29 2022

web aug 9 2023 spijt de filmeditie dutch edition 1 12 downloaded from uniport edu ng on august 9 2023 by guest spijt de filmeditie dutch edition this is likewise one of the

[spijt de filmeditie dutch edition kindle edition amazon co uk](#) - Jun 12 2023

web jul 6 2012 spijt de filmeditie dutch edition ebook slee carry amazon co uk kindle store

spijt de filmeditie dutch edition e lockhart 2022 - Feb 08 2023

web jan 12 2023 this spijt de filmeditie dutch edition as one of the most dynamic sellers here will definitely be in the middle of the best options to review the last time we say

check list for ies electronics telecommunication engineering - Apr 17 2022

web 2 check list for ies electronics telecommunication engineering 2020 11 18 sustainability more importantly there is more check list for ies electronics check list for ies electronics these requirements are given in luminaire efficacy rating ler which is the ratio of lamp lumen output lumens to measured electrical power input

downloadable free pdfs check list for ies electronics telecommunication - Jul 21 2022

web national level competitive examinations in electronics and communication engineering gate ece ies bel isro other psu examinations an extensive study of all the core subjects in electronics and communications is required to crack such examinations this book is written to be a one stop source for study

[pdf upsc ies ese electronics and telecommunication engineering](#) - Mar 29 2023

web download upsc ies ese electronics and telecommunication engineering objective previous years papers collections easyengineering net gives the lists of ies electronics and telecommunication engineering previous years objective papers from 1997 2023

check list for ies electronics telecommunication engineering - May 19 2022

web sep 7 2023 to see guide check list for ies electronics telecommunication engineering as you such as by searching the title publisher or authors of guide you in reality want you can discover them rapidly in the house workplace or perhaps in your method can be all best place within net connections

pdf ies electronics and telecommunication engineering subjective - Jul 01 2023

web 1 3k shares get new updates alerts through whatsapp fb tg join our official pages students join our whatsapp group telegram channel group easyengineering net gives the lists of upsc ies ese electronics and telecommunication engineering previous years subjective papers from 1987 2023

[check list for ies electronics telecommunication engineering](#) - Oct 04 2023

web check list for ies electronics telecommunication engineering signals and systems oct 05 2020 signals and systems is a comprehensive textbook designed for undergraduate students of engineering for a course on signals and systems each topic is explained lucidly by introducing the concepts first through abstract

upsc ese ies preparation strategy for electronics and telecommunication - Oct 24 2022

web complete upsc ese ies preparation strategy for electronics and telecommunication engineering students the best strategy for cracking upsc ese ece prelims mains and interviews explore exams

check list for ies electronics telecommunication engineering - Feb 13 2022

web may 24 2023 check list for ies electronics telecommunication engineering 1 5 downloaded from uniport edu ng on may 24 2023 by guest check list for ies electronics telecommunication engineering as recognized adventure as without difficulty as experience about lesson amusement as well as conformity can be gotten by just

ies electronics and telecommunication engineering syllabus - Aug 22 2022

web ies electronics and telecommunication engineering syllabus for prelims exam the electronics and telecommunication engineering paper will cover questions from each of the topics listed below the marks allocated to each topic may vary from 5 to 15 of the total marks in the paper

check list for ies gate psu electronics telecommunication - Sep 03 2023

web check list for ies gate psu electronics telecommunication engineering total no of books 47 control system theory analog electronics theory material science theory signals systems theory communication system theory electromagnetic theory theory digital electronics

must read ies electronics and telecommunication engineering - Sep 22 2022

web apr 6 2020 get the best ies electronics and telecommunication engineering books check out the list of books for ies electronics engineering preparation

[ies electronics telecommunication engineering 2023 syllabus](#) - Nov 24 2022

web jul 6 2023 ies electronics telecommunication engineering 2023 upsc conducts the ies ese electronics telecommunication exams to recruit candidates for electronics telecommunication engineering positions for the various departments working under the government of india know everything about ies exam 2023 while

ies ese 2022 syllabus for electronics telecommunication et - May 31 2023

web oct 2 2021 table 1 preliminary stage i examination objective type papers table 2 mains stage ii examination subjective type papers table 3 must read ies study material for electronics telecommunication engineering ies ese 2024 syllabus for electronics telecommunication engineering

check list for ies electronics telecommunication engineering - Mar 17 2022

web sep 19 2023 april 29th 2018 online download check list for ies electronics telecommunication engineering check list for ies electronics telecommunication engineering give us 5 minutes and we will show you the best book to read today pdf ies

check list for ies electronics telecommunication engineering - Jun 19 2022

web check list for ies electronics telecommunication engineering ieee industrial electronics society tie initial submission projects ies commercial industrial electrical and

check list for ies electronics telecommunication engineering - Jan 27 2023

web ies electronics telecommunication engineering monday 2018 03 26 issue check list for ies electronics telecommunication electronics amp telecommunication engineering paper i for both objective and conventional type papers 1 materials and components s register free to download files file name check list for ies

read free check list for ies electronics telecommunication engineering - Dec 26 2022

web selected papers cover the whole spectrum of the main four fields of electrical engineering electronic telecommunications control and power engineering objective electrical electronic and telecommunication engineering mar 27 2023 a textbook on electrical technology wireless telecommunication systems sep 09 2021

ies electronics and telecommunication engineering previous - Apr 29 2023

web nov 21 2021 solving ies previous year papers before the exams is one of the important tasks for aspirants previous year s question paper will also give you a basic idea about the exam which is very important to maintain confidence levels

throughout the exam stage ies exam question papers ese 2023 electronics and telecommunication

upsc ies electronics telecommunications engineering prep - Feb 25 2023

web sep 26 2023 with all the upsc ies electronics telecommunications engineering preparation tips below you should also check out the upsc ies electronics test series to ace your preparation hope you find the article on upsc ies electronics telecommunications engineering preparation tips informative

important topics for ies electronics and telecommunication engineering - Aug 02 2023

web sep 25 2023 candidates can check the important topics for ese electronics and telecommunication engineering for paper 1 and paper 2 below there are objective type multiple choice questions asked in the ies prelims exam the general studies and engineering aptitude tests general awareness and general engineering concepts