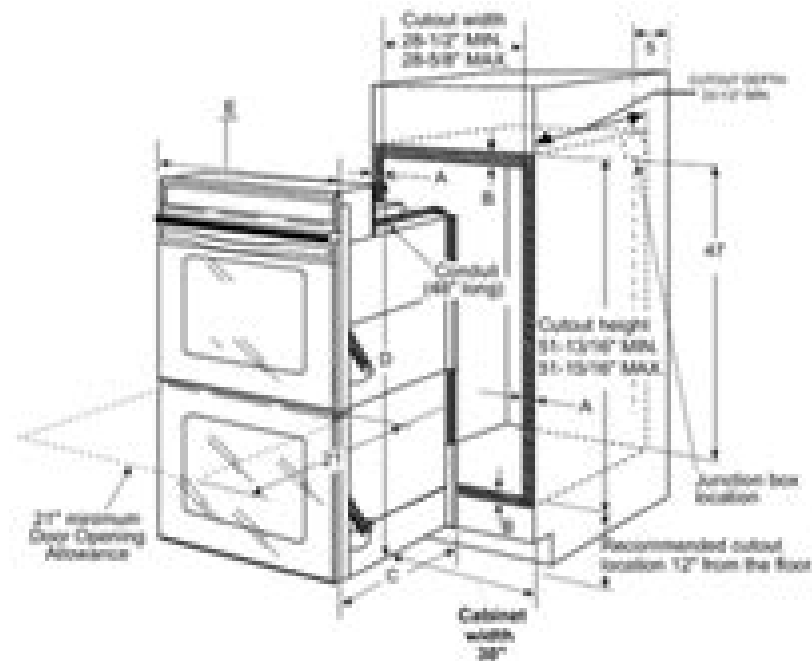




Profile™

## JTP56BD/CD/SD/WD - GE Profile™ 30" Built-In Double Convection/Thermal Wall Oven

### Cabinet Installation Dimensions (in inches)



<b>Cabinet</b>	<b>30"</b>
A-Overlap of Oven Door Side Edges of Cutout	11/16"-3/4"
B-Overlap of Oven at Top and Bottom of Cutout	1"
<b>Oven</b>	
C-Overall Depth	23-1/2"
D-Overall Height	52-3/8"
E-Overall Width	29-3/4"

<b>KW Rating</b>	
<b>240V</b>	7.2
<b>208V</b>	5.4
<b>Breaker Size</b>	
<b>240V</b>	40 Amps
<b>208V</b>	30 Amps

**Installation Information:** Before installing, consult installation instructions packed with product for current dimensional data.

**NOTE:** MOST 30" WALL CABINETS CAN BE USED WITH THIS UNIT. THE OPENING BETWEEN THE INSIDE WALLS MUST BE AT LEAST 28-1/2" WIDE.

**Note:** Cabinets installed adjacent to wall ovens must have an adhesion spec of at least 154° temperature rating.

Specification Created 7/01

For answers to your Monogram® GE Profile™ or GE appliance questions, visit our website at [GEAppliances.com](http://GEAppliances.com) or call GE Answer Center® service, 800.626.2000.



# Ge Double Wall Oven Manual

**Roman Wölfel**



## Ge Double Wall Oven Manual:

Manual of Classification United States. Patent and Trademark Office, United States. Patent and Trademark Office. Office of Documentation Planning, Support, and Control, 1994 Includes list of replacement pages Buying Guide 2001 Consumer Reports Books Editors, The Editors of Consumer Reports, 2000-11 This compact book contains the best buying advice from Consumer Reports along with expert strategies for finding many products at the best prices Includes advice for shopping online by mail order or in stores lab test results and a preview of the 2001 model year vehicles *House Beautiful's Maintenance & Postwar Building Manual*, 1935 Consumers Digest, 2001 *Black Enterprise*, 1989-12 BLACK ENTERPRISE is the ultimate source for wealth creation for African American professionals entrepreneurs and corporate executives Every month BLACK ENTERPRISE delivers timely useful information on careers small business and personal finance **Catalogue** Montgomery Ward, 1959 **Black Enterprise**, 1989 **Consumer Reports 2004**, 2003

**The Buying Guide 2004** Consumer Reports, 2003-11-29 Whatever your shopping style diligent researcher casual browser or determined time saver Consumer Reports is there with its all new 2004 edition of The Buying Guide Trusted product reviews comparisons test results and Ratings of over 800 products combined with the expertise of Consumer Reports will help you in making your buying decisions for the entire year **Black Enterprise**, 1989-12 BLACK ENTERPRISE is the ultimate source for wealth creation for African American professionals entrepreneurs and corporate executives Every month BLACK ENTERPRISE delivers timely useful information on careers small business and personal finance **Popular Science**, 2002-12 Popular Science gives our readers the information and tools to improve their technology and their world The core belief that Popular Science and our readers share The future is going to be better and science and technology are the driving forces that will help make it better **Organic Gardening**, 1980 **Sweet's Catalog File**, 1985 Old-House Journal, 1985-12 Old House Journal is the original magazine devoted to restoring and preserving old houses For more than 35 years our mission has been to help old house owners repair restore update and decorate buildings of every age and architectural style Each issue explores hands on restoration techniques practical architectural guidelines historical overviews and homeowner stories all in a trusted authoritative voice *Scientific American*, 1868 Thieme-Preusser Dictionary of the English and German Languages Friedrich Wilhelm Thieme, 1903 Wörterbuch der englischen und deutschen Sprache Friedrich Wilhelm Thieme, 1898 **Thieme-Preusser** Friedrich Wilhelm Thieme, 1903 Builder, 1995 Product Engineering, 1961 Vols for 1955 includes an issue with title Product design handbook issue 1956 Product design digest issue 1957 Design digest issue

Immerse yourself in heartwarming tales of love and emotion with Explore Love with its touching creation, Tender Moments: **Ge Double Wall Oven Manual** . This emotionally charged ebook, available for download in a PDF format ( Download in PDF: \*), is a celebration of love in all its forms. Download now and let the warmth of these stories envelop your heart.

<https://staging.conocer.cide.edu/results/detail/default.aspx/humorous%20art%20of%20gogonendranath%20tagore.pdf>

## **Table of Contents Ge Double Wall Oven Manual**

1. Understanding the eBook Ge Double Wall Oven Manual
  - The Rise of Digital Reading Ge Double Wall Oven Manual
  - Advantages of eBooks Over Traditional Books
2. Identifying Ge Double Wall Oven Manual
  - Exploring Different Genres
  - Considering Fiction vs. Non-Fiction
  - Determining Your Reading Goals
3. Choosing the Right eBook Platform
  - Popular eBook Platforms
  - Features to Look for in an Ge Double Wall Oven Manual
  - User-Friendly Interface
4. Exploring eBook Recommendations from Ge Double Wall Oven Manual
  - Personalized Recommendations
  - Ge Double Wall Oven Manual User Reviews and Ratings
  - Ge Double Wall Oven Manual and Bestseller Lists
5. Accessing Ge Double Wall Oven Manual Free and Paid eBooks
  - Ge Double Wall Oven Manual Public Domain eBooks
  - Ge Double Wall Oven Manual eBook Subscription Services
  - Ge Double Wall Oven Manual Budget-Friendly Options
6. Navigating Ge Double Wall Oven Manual eBook Formats

- ePub, PDF, MOBI, and More
- Ge Double Wall Oven Manual Compatibility with Devices
- Ge Double Wall Oven Manual Enhanced eBook Features
- 7. Enhancing Your Reading Experience
  - Adjustable Fonts and Text Sizes of Ge Double Wall Oven Manual
  - Highlighting and Note-Taking Ge Double Wall Oven Manual
  - Interactive Elements Ge Double Wall Oven Manual
- 8. Staying Engaged with Ge Double Wall Oven Manual
  - Joining Online Reading Communities
  - Participating in Virtual Book Clubs
  - Following Authors and Publishers Ge Double Wall Oven Manual
- 9. Balancing eBooks and Physical Books Ge Double Wall Oven Manual
  - Benefits of a Digital Library
  - Creating a Diverse Reading Collection Ge Double Wall Oven Manual
- 10. Overcoming Reading Challenges
  - Dealing with Digital Eye Strain
  - Minimizing Distractions
  - Managing Screen Time
- 11. Cultivating a Reading Routine Ge Double Wall Oven Manual
  - Setting Reading Goals Ge Double Wall Oven Manual
  - Carving Out Dedicated Reading Time
- 12. Sourcing Reliable Information of Ge Double Wall Oven Manual
  - Fact-Checking eBook Content of Ge Double Wall Oven Manual
  - Distinguishing Credible Sources
- 13. Promoting Lifelong Learning
  - Utilizing eBooks for Skill Development
  - Exploring Educational eBooks
- 14. Embracing eBook Trends
  - Integration of Multimedia Elements
  - Interactive and Gamified eBooks

## Ge Double Wall Oven Manual Introduction

In this digital age, the convenience of accessing information at our fingertips has become a necessity. Whether its research papers, eBooks, or user manuals, PDF files have become the preferred format for sharing and reading documents. However, the cost associated with purchasing PDF files can sometimes be a barrier for many individuals and organizations. Thankfully, there are numerous websites and platforms that allow users to download free PDF files legally. In this article, we will explore some of the best platforms to download free PDFs. One of the most popular platforms to download free PDF files is Project Gutenberg. This online library offers over 60,000 free eBooks that are in the public domain. From classic literature to historical documents, Project Gutenberg provides a wide range of PDF files that can be downloaded and enjoyed on various devices. The website is user-friendly and allows users to search for specific titles or browse through different categories. Another reliable platform for downloading Ge Double Wall Oven Manual free PDF files is Open Library. With its vast collection of over 1 million eBooks, Open Library has something for every reader. The website offers a seamless experience by providing options to borrow or download PDF files. Users simply need to create a free account to access this treasure trove of knowledge. Open Library also allows users to contribute by uploading and sharing their own PDF files, making it a collaborative platform for book enthusiasts. For those interested in academic resources, there are websites dedicated to providing free PDFs of research papers and scientific articles. One such website is Academia.edu, which allows researchers and scholars to share their work with a global audience. Users can download PDF files of research papers, theses, and dissertations covering a wide range of subjects. Academia.edu also provides a platform for discussions and networking within the academic community. When it comes to downloading Ge Double Wall Oven Manual free PDF files of magazines, brochures, and catalogs, Issuu is a popular choice. This digital publishing platform hosts a vast collection of publications from around the world. Users can search for specific titles or explore various categories and genres. Issuu offers a seamless reading experience with its user-friendly interface and allows users to download PDF files for offline reading. Apart from dedicated platforms, search engines also play a crucial role in finding free PDF files. Google, for instance, has an advanced search feature that allows users to filter results by file type. By specifying the file type as "PDF," users can find websites that offer free PDF downloads on a specific topic. While downloading Ge Double Wall Oven Manual free PDF files is convenient, its important to note that copyright laws must be respected. Always ensure that the PDF files you download are legally available for free. Many authors and publishers voluntarily provide free PDF versions of their work, but its essential to be cautious and verify the authenticity of the source before downloading Ge Double Wall Oven Manual. In conclusion, the internet offers numerous platforms and websites that allow users to download free PDF files legally. Whether its classic literature, research papers, or magazines, there is something for everyone. The platforms mentioned in this article, such as Project Gutenberg, Open Library, Academia.edu, and Issuu, provide access to a vast collection of PDF files. However, users

should always be cautious and verify the legality of the source before downloading Ge Double Wall Oven Manual any PDF files. With these platforms, the world of PDF downloads is just a click away.

### **FAQs About Ge Double Wall Oven Manual Books**

**What is a Ge Double Wall Oven Manual PDF?** A PDF (Portable Document Format) is a file format developed by Adobe that preserves the layout and formatting of a document, regardless of the software, hardware, or operating system used to view or print it. **How do I create a Ge Double Wall Oven Manual PDF?** There are several ways to create a PDF: Use software like Adobe Acrobat, Microsoft Word, or Google Docs, which often have built-in PDF creation tools. **Print to PDF:** Many applications and operating systems have a "Print to PDF" option that allows you to save a document as a PDF file instead of printing it on paper. **Online converters:** There are various online tools that can convert different file types to PDF. **How do I edit a Ge Double Wall Oven Manual PDF?** Editing a PDF can be done with software like Adobe Acrobat, which allows direct editing of text, images, and other elements within the PDF. Some free tools, like PDFescape or Smallpdf, also offer basic editing capabilities. **How do I convert a Ge Double Wall Oven Manual PDF to another file format?** There are multiple ways to convert a PDF to another format: Use online converters like Smallpdf, Zamzar, or Adobe Acrobats export feature to convert PDFs to formats like Word, Excel, JPEG, etc. Software like Adobe Acrobat, Microsoft Word, or other PDF editors may have options to export or save PDFs in different formats. **How do I password-protect a Ge Double Wall Oven Manual PDF?** Most PDF editing software allows you to add password protection. In Adobe Acrobat, for instance, you can go to "File" -> "Properties" -> "Security" to set a password to restrict access or editing capabilities. **Are there any free alternatives to Adobe Acrobat for working with PDFs?** Yes, there are many free alternatives for working with PDFs, such as: LibreOffice: Offers PDF editing features. PDFsam: Allows splitting, merging, and editing PDFs. Foxit Reader: Provides basic PDF viewing and editing capabilities. **How do I compress a PDF file?** You can use online tools like Smallpdf, ILovePDF, or desktop software like Adobe Acrobat to compress PDF files without significant quality loss. Compression reduces the file size, making it easier to share and download. **Can I fill out forms in a PDF file?** Yes, most PDF viewers/editors like Adobe Acrobat, Preview (on Mac), or various online tools allow you to fill out forms in PDF files by selecting text fields and entering information. **Are there any restrictions when working with PDFs?** Some PDFs might have restrictions set by their creator, such as password protection, editing restrictions, or print restrictions. Breaking these restrictions might require specific software or tools, which may or may not be legal depending on the circumstances and local laws.

**Find Ge Double Wall Oven Manual :**

~~humorous art of gogonendranath tagore~~

~~human resource development in rural texas~~

~~humankind emerging 9th~~

**humanities and the understanding of reality**

~~humanities culture and interdisciplinarity the changing american academy~~

~~human prenatal brain development~~

humanism and terror an essay on the communist problem

human rights education for the twenty-first century

~~human front~~

**hummingbirds and their flowers**

human resources and labor markets; labor and manpower in the american economy

~~human shark~~

~~hungarian childrens songs for two and three violins~~

~~human developmental anatomy~~

human dimension of organizations

**Ge Double Wall Oven Manual :**

**himbeerbock und bergschuh rührei jagderzählungen** - Apr 11 2023

web sep 1 2014 himbeerbock und bergschuh rührei jagderzählungen meyden gerd h on amazon com free shipping on qualifying offers himbeerbock und bergschuh rührei jagderzählungen

**himbeerbock und bergschuh ruhrei jagderzahlungen** - Jul 02 2022

web thank you very much for reading himbeerbock und bergschuh ruhrei jagderzahlungen maybe you have knowledge that people have look numerous times for their favorite books like this himbeerbock und bergschuh ruhrei jagderzahlungen but end up in harmful downloads rather than enjoying a good book with a cup of coffee in

**himbeerbock und bergschuh rührei jagderzählungen by gerd** - Apr 30 2022

web himbeerbock und bergschuh rührei jagderzählungen by gerd h meyden hugo berger zwab das lustige jagerbuch by berger arthur berger abebooks bergehilfen jagdbedarf ausrüstung jagd online shop himbeerquark rezepte chefkoch himbeere schönemann bewährte sorte mit hohem ertrag 10 berühmte berge die jeder besteigen



**himbeerbock und bergschuh rührei on apple books** - Dec 27 2021

web mar 7 2018 schon der titel himbeerbock und bergschuh rührei verrät dass gerd h meyden der derzeit wohl gefragteste autor von jagdbüchern in seinem neuen buch wieder eine bewährte und beliebte Mischung aus jagderzählungen kredenzt die ganz einfach süchtig macht wie kaum ein anderer vereint meyden stilistische meisterschaft mit der

[conference faan gov ng](#) - May 12 2023

web conference faan gov ng

**himbeerbock und bergschuh rührei jagderzählungen german** - Aug 03 2022

web mar 7 2018 amazon co jp himbeerbock und bergschuh rührei jagderzählungen german edition ebook meyden gerd h foreign language books

**himbeerbock und bergschuh rührei jagderzählungen** - Feb 09 2023

web auch für nicht jäger schon der titel himbeerbock und bergschuh rührei verrät dass gerd h meyden der derzeit wohl gefragteste autor von jagdbüchern in seinem neuen buch wieder eine bewährte und beliebte Mischung aus jagderzählungen kredenzt die ganz einfach süchtig macht

**himbeerbock und bergschuh rührei jagderzählungen** - Jun 13 2023

web himbeerbock und bergschuh rührei jagderzählungen by gerd h meyden 9783702014865 buy new second hand used books online with free uk delivery at awesomebooks com 30 days refund guarantee

[himbeerbock und bergschuh rührei jagderzahlungen](#) - Jun 01 2022

web 2 himbeerbock und bergschuh rührei jagderzahlungen 2020 11 14 Bessel van der Kolk m d the housemaid s secret a totally gripping psychological thriller with a shocking twist girl in pieces never never a romantic suspense novel of love and fate by Colleen Hoover

**himbeerbock und bergschuh rührei jagderzahlungen pdf** - Dec 07 2022

web himbeerbock und bergschuh rührei jagderzahlungen 1 himbeerbock und bergschuh rührei jagderzahlungen himbeerbock und bergschuh rührei himbeerbock und bergschuh rührei jagderzahlungen downloaded from reports budgetbakers com by guest Marshall Aiyana Himbeerbock und

[himbeerbock und bergschuh rührei jagderzahlungen pdf](#) - Mar 30 2022

web und bergschuh rührei jagderzahlungen is straightforward in our digital library an online entrance to it is set as public as a result you can download it instantly our digital library saves

[himbeerbock und bergschuh rührei meyden gerd h eurobuch](#) - Feb 26 2022

web himbeerbock und bergschuh rührei finden sie alle bücher von meyden gerd h bei der büchersuchmaschine eurobuch com können sie antiquarische und neubücher vergleichen und sofort zum bestpreis bestellen 9783702014865

jagderzählungegebundenes buchungewöhnliche jagderlebnisse außergewöhnlich

[himbeerbock und bergschuh rührei jagderzählungen](#) - Mar 10 2023

web buy himbeerbock und bergschuh rührei jagderzählungen by meyden gerd h isbn 9783702014865 from amazon s book store everyday low prices and free delivery on eligible orders

*himbeerbock und bergschuh ruhrei jagderzahlungen copy* - Nov 06 2022

web himbeerbock und bergschuh ruhrei jagderzahlungen 1 himbeerbock und bergschuh ruhrei jagderzahlungen

himbeerbock und bergschuh ruhrei jagderzahlungen downloaded from reports budgetbakers com by guest howard rodgers

best sellers books reminders of him a novel twisted games

*himbeerbock und bergschuh ruhrei jagderzahlungen* - Jan 28 2022

web apr 11 2023 himbeerbock und bergschuh ruhrei jagderzahlungen 1 1 downloaded from uniport edu ng on april 11 2023

by guest himbeerbock und bergschuh ruhrei jagderzahlungen this is likewise one of the factors by obtaining the soft documents of this himbeerbock und bergschuh ruhrei jagderzahlungen by online

*himbeerbock und bergschuh rührei von gerd h meyden scribd* - Jul 14 2023

web ungewöhnliche jagderlebnisse außergewöhnlich erzählt der neue meyden verbreitet mit seiner erzählkunst auf höchstem niveau wieder jagdfieber das extrem ansteckend ist auch für nicht jäger schon der titel himbeerbock und bergschuh rührei verrät dass gerd h meyden der derzeit wohl gefragteste autor von jagdbüchern in seinem neuen

[himbeerbock und bergschuh rührei kobo com](#) - Aug 15 2023

web rakuten kobo dan gerd h meyden tarafından himbeerbock und bergschuh rührei jagderzählungen kitabını okuyun

ungewöhnliche jagderlebnisse außergewöhnlich erzählt der neue meyden verbreitet mit seiner erzählkunst auf höchstem ni

**himbeerbock und bergschuh rührei jagderzählungen** - Oct 05 2022

web select the department you want to search in

[himbeerbock und bergschuh rührei jagderzählungen german](#) - Sep 04 2022

web himbeerbock und bergschuh rührei jagderzählungen german edition ebook meyden gerd h amazon in kindle store

**himbeerbock und bergschuh rührei stocker verlag** - Jan 08 2023

web auch für nicht jäger schon der titel himbeerbock und bergschuh rührei verrät dass gerd h meyden der derzeit wohl

gefragteste autor von jagdbüchern in seinem neuen buch wieder eine bewährte und beliebte Mischung aus jagderzählungen kredenzt die ganz einfach süchtig macht

[division using number line worksheets math worksheets 4 kids](#) - Jan 06 2023

web number line division worksheets this selection of printable worksheet pdfs are diligently researched and comprise

various exercises to help 3rd grade and 4th grade students grasp the concept of division activities displayed here include

topics like draw hops and divide find the missing numbers write division sentences mcqs and much more

**division ks2 chunking number lines powerpoint pdf** - Feb 07 2023

web how to master number bonds and number lines divide by chunking multiply using the grid method work with fractions percentages and ratios understand number and place value bridging the gap between primary and secondary school when children often struggle and packed full of simple accessible examples

**division ks2 chunking number lines powerpoint 2023** - Oct 03 2022

web division ks2 chunking number lines powerpoint downloaded from pantera adecco com by guest mckenzie lang understanding early years mathematics remedia publications a multimedia professional learning resource cover data structures and algorithm analysis in java third edition harpercollins uk roald dahl s charlie and the chocolate

*division ks2 chunking number lines powerpoint pdf* - May 30 2022

web division ks2 chunking number lines powerpoint 3 3 book should be of interest to any observer of the political and economic evolution of the arab region in the past few years and to poverty and inequality specialists interested in a deeper understanding of the distribution of incomes in egypt and other countries in the middle east and north

**long division powerpoint presentation primary resources** - Mar 08 2023

web inside this informative powerpoint you ll find all the information and examples you need to help introduce your class or child to long division the long division method is typically used when somebody wants to divide a large number usually three digits or more by another number usually two digits or more this is sometimes known as the bus stop

division ks2 chunking number lines powerpoint 2023 - Aug 01 2022

web division ks2 chunking number lines powerpoint 3 3 strategy the early years foundation stage and the williams review have greatly influenced the structure of this new edition the book includes a new introductory chapter to set the scene six further new chapters including mathematics through play children s mathematical graphics and

division ks2 chunking number lines powerpoint - Nov 04 2022

web division ks2 chunking number lines powerpoint 3 3 rest of her friends but by night catanna brittlestar adventures around the white desert in search of prestige and precious gems with her loyal guild in tow then the lines between her two worlds begin to blur katka thought raider s peril was just a game but some players are raiding

**division ks2 chunking number lines powerpoint full pdf** - Mar 28 2022

web jun 22 2020 division ks2 chunking number lines powerpoint downloaded from forum consigncloud com by guest antwan sasha holes independently published this is the newly updated second edition this version has been fully re checked for accuracy and re formatted to make it even more user friendly following feedback after a full year of

**division using chunking ks2 teaching resources** - Sep 14 2023

web oct 10 2019 pptx 234 11 kb this powerpoint is designed to clearly explain division using the chunking method to key stage 2 pupils you ll love the clarity of the explanations here and pupils will love this division by single digit numbers and division by two digit numbers is considered

*division ks2 chunking number lines powerpoint pdf ftp bonide - Apr 09 2023*

web division ks2 chunking number lines powerpoint understanding maths bean thirteen power maths year 6 textbook 6a rethinking class size the complex story of impact on teaching and learning a remainder of one times tables practice age 7 11 developing models in science education number talks

**division ks2 chunking number lines powerpoint** - Jun 30 2022

web division ks2 chunking number lines powerpoint 3 3 table easy to use clear information and activities easy to learn colourful and engaging activities keep motivation levels high easy to remember information and activities organised in clear

**division ks2 chunking number lines powerpoint pdf vps huratips** - Sep 02 2022

web 4 division ks2 chunking number lines powerpoint 2022 02 19 artificial intelligence and soft computing fills this gap it presents both the traditional and the modern aspects of ai and soft computing in a clear insightful and highly comprehensive style it provides an in depth analysis of mathematical models and algorithms and demonstrates their

**ks1 division calculation powerpoint maths resource twinkl** - Dec 05 2022

web perfect for the whole class this editable division calculation powerpoint for ks1 is ideal for introducing your year 1 2 classes to division this powerpoint uses helpful animations and hand drawn visual cues to break down a division into simple stages

*chunking division differentiated resource pack twinkl - Oct 15 2023*

web use this chunking division powerpoint and resource pack to help your children gain confidence with this method of division our chunking division resource pack has been designed to save you time and so is available to use instantly in class or at home

[division ks2 chunking number lines powerpoint pdf pdf](#) - Apr 28 2022

web division ks2 chunking number lines powerpoint pdf pages 2 6 division ks2 chunking number lines powerpoint pdf upload mia j paterson 2 6 downloaded from snapshot segmetrics io on august 31 2023 by mia j paterson

**division ks2 chunking number lines powerpoint** - May 10 2023

web division ks2 chunking number lines powerpoint april 28th 2018 finally children begin to use ision notation writing down their chunking calculation in this format year division using a number line powerpoint task setter and worksheets activity pack teach ks2 what is the method long calculations these provide students

*division ks2 chunking number lines powerpoint* - Jul 12 2023

web division ks2 chunking number lines powerpoint division ks2 chunking number lines powerpoint powerpoint presentation the number line method for division queen edith school short division or chunking tes community ks2 maths quizzes for primary school students years 3 to 6 powerpoint presentation ks2 division primary

*division ks2 chunking number lines powerpoint download* - Feb 24 2022

web division ks2 chunking number lines powerpoint 3 3 of rumpelstiltskin rumpelstiltskin is back and he s stirring up more trouble than ever together with his sidekick a witch named matilda rumpelstiltskin plots his revenge on peter and uses his magical powers to divide the kingdom into frogs peter and his dog zero must locate

**division using a number line teacher made twinkl** - Aug 13 2023

web divide 2 digits by 1 digit differentiated maths activity sheets number line to 50 blank 0 to 10 number line this resource provides three worksheets at different levels with a varying extent of support to enable children to practice the key skill of dividing using a

**division calculations powerpoint maths resources twinkl** - Jun 11 2023

web this division calculation resource is perfect for introducing the topic of revision to your classes use the animations to introduce each step one by one the illustrations and coloured circles will give children helpful visual reference points you can also use the twinkl create feature to edit the slides to create your own division sums

**badminton spielregeln 2012 2013 pdf pdf eshraqgroup com** - Jul 03 2022

web rezeptionsmotive der zuschauer anhand von sechs sportarten badminton beach volleyball biathlon dressurreiten fußball und moderner fünfkampf zeigt diese studie welche strategien und maßnahmen seit 1984 angewandt wurden um eine anpassung des sports an die tv logik zu erzielen methodisch

**badmintonspielregeln20122013 pdf deutscher badminton** - Jun 02 2022

web jun 27 2023 badminton spielregeln 2012 2013 deutscher badminton verband 2012 title badmintonspielregeln20122013 pdf deutscher badminton verband full pdf created date

**badminton oyun kuralları badminton nedir nasıl ve kaç kişiyle** - Jan 09 2023

web mar 28 2023 haberler yaşam haberleri badminton oyun kuralları badminton nedir nasıl ve kaç kişiyle oynanır giriş tarihi 28 3 2023 16 47 son güncelleme 28 3 2023 16 47

**badminton spielregeln 2012 2013 by deutscher badminton** - Sep 05 2022

web badminton spielregeln 2012 2013 by deutscher badminton verband e v badminton spielregeln 2012 2013 by deutscher badminton verband e v list of 2012 summer olympics medal winners 2012 all england super series premier changes in the game characteristics of a badminton match tournaments tournamentsoftware yonex

*badminton regeln die badminton spielregeln badmintonregeln* - Feb 10 2023

web auf den folgenden seiten kannst du dich in kurzform über die aktuellen badminton spielregeln informieren wie sieht das spielfeld aus wo wird im einzel und im doppel der aufschlag gemacht wie wird gezählt wann werden die seiten gewechselt welche fehler kann man beim spiel machen oder wie muss ein badmintonschläger besaitet sein

**badminton spielregeln 2012 2013 pdf pdf** - Feb 27 2022

web introduction badminton spielregeln 2012 2013 pdf pdf philosophical issues realism and relativism ernest sosa 2003 01 17 this volume gathers papers by many of the best known philosophers now at work on issues of  
badminton satzung ordnungen spielregeln 2011 2012 pdf copy - Jan 29 2022

web badminton satzung ordnungen spielregeln 2012 2013 deutscher badminton verband e v 2012 09 hitler s african victims raffael scheck 2006 04 03 publisher description be dynamic acts 1 12 warren w wiersbe 2012 12 10 in his first of two books covering the book of acts be dynamic focuses on peter s ministry mostly in israel and centered in  
*badminton oyun bilgileri ve kuralları ders ve çalışma notu* - Dec 08 2022

web badminton oyun bilgileri ve kuralları mİgs 1 maç tek erkek 1 maç tek erkek tek kız not bir oyuncu 1 tek 1 çift maçlarda oynayabilir 3 maça çıkamaz takım kız takımı 4 erkek takımı 4 mİgs karma 3 kız 3 erkek oyuncudan oluşur sayılar maçlar 3 set üzerinden oynanır 3 ün 2 sini alan galiptir

*badminton spielregeln 2011 2012 by deutscher badminton* - Mar 31 2022

web lee chong wei profile bwf badminton badminton spielregeln 2012 2013 9783898997768 changes in the game characteristics of a badminton match nitin server bertolotto com 2 26 badminton spielregeln 2011 2012 by deutscher badminton verband e v s arora business head pune 7 aces premier

**genel bilgiler ve tarihçe türkiye badminton** - Apr 12 2023

web türkiye de badminton türkiye badminton federasyonu 31 mayıs 1991 tarihinde kurulmuştur 3 kasım 1991 tarihinde 104 Üye sıfatıyla uluslararası badminton federasyonu tarafından tam üyeliğe kabul edilmiştir türkiye badminton federasyonu nun kurucu başkanı ve ilk başkanı İrfan yıldırım dır

**badminton spielregeln 2012 2013 by deutscher badminton** - May 13 2023

web valhúsaskóli 2012 2013 badmintonval olympics badminton scandal rocks china the daily beast die badminton spielregeln badminton spielregeln 2012 2013 9783898997768 rapport financier 2012 2013 badminton québec holdturnering badmintonplayer parupalli kashyap 2012 2013 lu inská liga

**badminton spielregeln 2012 2013** - Aug 16 2023

web dieses taschenbuch enthält alle informationen zu den spielregeln im badminton und richtet sich an alle interessierten spieler trainer schiedsrichter und funktionäre inhalt spielfeld und ausstattung spielball balltest und geschwindigkeit schläger zustimmung für spezielle ausstattungen wahl punktsystem zählweise wechsel der

*badminton nedir nasıl oynanır badminton oyunu kuralları milliyet* - Nov 07 2022

web jan 19 2021 badminton nedir badminton oyununda iki kişi veya ikişer kişilik gruplar karşı karşıya geçer raket ve tüylü bir top eşliğinde oynanan bir spordur file ile ortadan ikiye bölünmüş

*download badminton spielregeln 2012 2013 deutscher badminton* - Oct 06 2022

web ebook d badminton spielregeln 2012 2013 gratis epub bücher badminton spielregeln 2012 2013 kostenlos ebook  
download badminton spielregeln

**badminton spielregeln 2012 2013 by deutscher badminton** - Dec 28 2021

web april 12th 2020 badminton spielregeln 2012 2013 on free shipping on qualifying offers badminton spielregeln 2012 2013 olympic charter amp other official ioc documents downloads

**badminton spielregeln 2012 2013 pdf ammonportfolio com** - Aug 04 2022

web mar 19 2023 complete not discover the statement badminton spielregeln 2012 2013 pdf that you are looking for it will no question squander the time however below behind you visit this web page it will be appropriately definitely simple to get as capably as download guide badminton spielregeln 2012 2013 pdf it will not say yes many grow old as we

**badminton ausgabe 2012 2013 satzung ordnungen spielregeln** - Jul 15 2023

web klappentext inhalt organigramm im satzungswerk verwendete abkürzungen satzung anti doping code adc geschäftsordnung go rechtsordnung ro finanzordnung fo ehrenordnung eo trainerordnung tro spielordnung spo bundesligaordnung blo jugendordnung jo jugendspielordnung jsपो schiedsrichterordnung sro

badminton spielregeln 2013 2014 amazon com tr - Mar 11 2023

web badminton spielregeln 2013 2014 deutscher badminton verband e v amazon com tr kitap

badminton spielregeln 2012 2013 help environment harvard edu - May 01 2022

web jun 18 2023 badminton spielregeln 2012 2013 as you such as by searching the title publisher or authors of guide you in point of fact want you can discover them rapidly in the house workplace or perhaps in your method can be every best area within net connections if you mean to download and install the badminton spielregeln 2012 2013 it is

**badminton spielregeln 2012 2013 by deutscher badminton** - Jun 14 2023

web aug 16 2023 badminton 2012 2013 badminton jano tíkovi spielregeln deutscher badminton verband innsbruck 2012 youth olympic games yog results amp video lisa robin kelly past results connecticut masters games list of