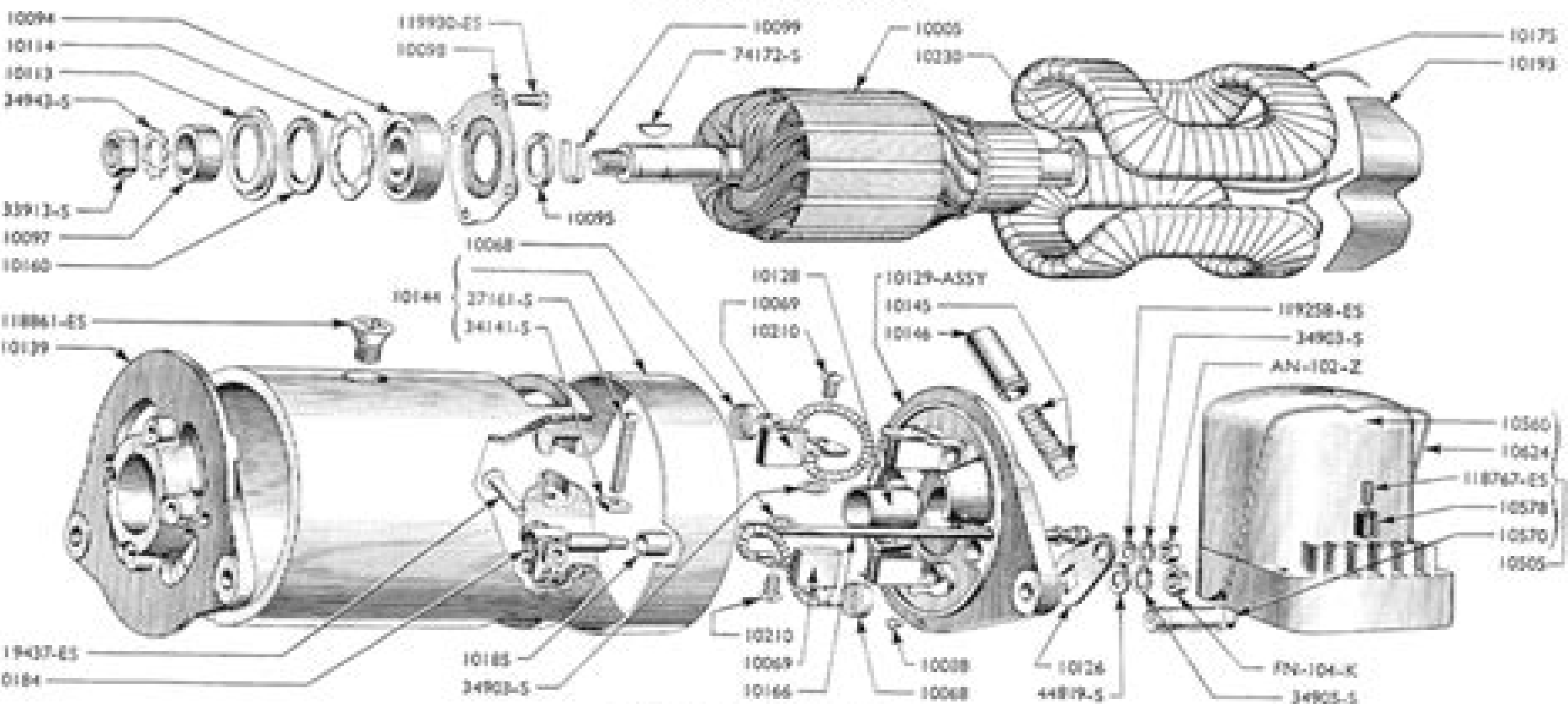


3-BRUSH TYPE GENERATOR



3-BRUSH TYPE GENERATOR

Ford Model A Generator Wiring

S Ben Porath



Ford Model A Generator Wiring:

This is likewise one of the factors by obtaining the soft documents of this **Ford Model A Generator Wiring** by online. You might not require more mature to spend to go to the ebook foundation as skillfully as search for them. In some cases, you likewise do not discover the revelation Ford Model A Generator Wiring that you are looking for. It will unconditionally squander the time.

However below, afterward you visit this web page, it will be for that reason certainly simple to acquire as well as download lead Ford Model A Generator Wiring

It will not believe many period as we run by before. You can pull off it though enactment something else at home and even in your workplace. fittingly easy! So, are you question? Just exercise just what we meet the expense of below as competently as review **Ford Model A Generator Wiring** what you in the manner of to read!

https://staging.conocer.cide.edu/About/detail/Download_PDFS/Living_Room_Retreat_Meditations_For_Home_Use_With_A_12_week_Plan_For_Group_Sharing.pdf

Table of Contents Ford Model A Generator Wiring

1. Understanding the eBook Ford Model A Generator Wiring
 - The Rise of Digital Reading Ford Model A Generator Wiring
 - Advantages of eBooks Over Traditional Books
2. Identifying Ford Model A Generator Wiring
 - Exploring Different Genres
 - Considering Fiction vs. Non-Fiction
 - Determining Your Reading Goals
3. Choosing the Right eBook Platform
 - Popular eBook Platforms
 - Features to Look for in an Ford Model A Generator Wiring
 - User-Friendly Interface

4. Exploring eBook Recommendations from Ford Model A Generator Wiring
 - Personalized Recommendations
 - Ford Model A Generator Wiring User Reviews and Ratings
 - Ford Model A Generator Wiring and Bestseller Lists
5. Accessing Ford Model A Generator Wiring Free and Paid eBooks
 - Ford Model A Generator Wiring Public Domain eBooks
 - Ford Model A Generator Wiring eBook Subscription Services
 - Ford Model A Generator Wiring Budget-Friendly Options
6. Navigating Ford Model A Generator Wiring eBook Formats
 - ePub, PDF, MOBI, and More
 - Ford Model A Generator Wiring Compatibility with Devices
 - Ford Model A Generator Wiring Enhanced eBook Features
7. Enhancing Your Reading Experience
 - Adjustable Fonts and Text Sizes of Ford Model A Generator Wiring
 - Highlighting and Note-Taking Ford Model A Generator Wiring
 - Interactive Elements Ford Model A Generator Wiring
8. Staying Engaged with Ford Model A Generator Wiring
 - Joining Online Reading Communities
 - Participating in Virtual Book Clubs
 - Following Authors and Publishers Ford Model A Generator Wiring
9. Balancing eBooks and Physical Books Ford Model A Generator Wiring
 - Benefits of a Digital Library
 - Creating a Diverse Reading Collection Ford Model A Generator Wiring
10. Overcoming Reading Challenges
 - Dealing with Digital Eye Strain
 - Minimizing Distractions
 - Managing Screen Time
11. Cultivating a Reading Routine Ford Model A Generator Wiring
 - Setting Reading Goals Ford Model A Generator Wiring
 - Carving Out Dedicated Reading Time

12. Sourcing Reliable Information of Ford Model A Generator Wiring
 - Fact-Checking eBook Content of Ford Model A Generator Wiring
 - Distinguishing Credible Sources
13. Promoting Lifelong Learning
 - Utilizing eBooks for Skill Development
 - Exploring Educational eBooks
14. Embracing eBook Trends
 - Integration of Multimedia Elements
 - Interactive and Gamified eBooks

Ford Model A Generator Wiring Introduction

In this digital age, the convenience of accessing information at our fingertips has become a necessity. Whether its research papers, eBooks, or user manuals, PDF files have become the preferred format for sharing and reading documents. However, the cost associated with purchasing PDF files can sometimes be a barrier for many individuals and organizations. Thankfully, there are numerous websites and platforms that allow users to download free PDF files legally. In this article, we will explore some of the best platforms to download free PDFs. One of the most popular platforms to download free PDF files is Project Gutenberg. This online library offers over 60,000 free eBooks that are in the public domain. From classic literature to historical documents, Project Gutenberg provides a wide range of PDF files that can be downloaded and enjoyed on various devices. The website is user-friendly and allows users to search for specific titles or browse through different categories. Another reliable platform for downloading Ford Model A Generator Wiring free PDF files is Open Library. With its vast collection of over 1 million eBooks, Open Library has something for every reader. The website offers a seamless experience by providing options to borrow or download PDF files. Users simply need to create a free account to access this treasure trove of knowledge. Open Library also allows users to contribute by uploading and sharing their own PDF files, making it a collaborative platform for book enthusiasts. For those interested in academic resources, there are websites dedicated to providing free PDFs of research papers and scientific articles. One such website is Academia.edu, which allows researchers and scholars to share their work with a global audience. Users can download PDF files of research papers, theses, and dissertations covering a wide range of subjects. Academia.edu also provides a platform for discussions and networking within the academic community. When it comes to downloading Ford Model A Generator Wiring free PDF files of magazines, brochures, and catalogs, Issuu is a popular choice. This digital publishing platform hosts a vast collection of publications from around the world. Users can search for specific titles or explore various categories and genres. Issuu offers a seamless

reading experience with its user-friendly interface and allows users to download PDF files for offline reading. Apart from dedicated platforms, search engines also play a crucial role in finding free PDF files. Google, for instance, has an advanced search feature that allows users to filter results by file type. By specifying the file type as "PDF," users can find websites that offer free PDF downloads on a specific topic. While downloading Ford Model A Generator Wiring free PDF files is convenient, its important to note that copyright laws must be respected. Always ensure that the PDF files you download are legally available for free. Many authors and publishers voluntarily provide free PDF versions of their work, but its essential to be cautious and verify the authenticity of the source before downloading Ford Model A Generator Wiring. In conclusion, the internet offers numerous platforms and websites that allow users to download free PDF files legally. Whether its classic literature, research papers, or magazines, there is something for everyone. The platforms mentioned in this article, such as Project Gutenberg, Open Library, Academia.edu, and Issuu, provide access to a vast collection of PDF files. However, users should always be cautious and verify the legality of the source before downloading Ford Model A Generator Wiring any PDF files. With these platforms, the world of PDF downloads is just a click away.

FAQs About Ford Model A Generator Wiring Books

How do I know which eBook platform is the best for me? Finding the best eBook platform depends on your reading preferences and device compatibility. Research different platforms, read user reviews, and explore their features before making a choice. Are free eBooks of good quality? Yes, many reputable platforms offer high-quality free eBooks, including classics and public domain works. However, make sure to verify the source to ensure the eBook credibility. Can I read eBooks without an eReader? Absolutely! Most eBook platforms offer webbased readers or mobile apps that allow you to read eBooks on your computer, tablet, or smartphone. How do I avoid digital eye strain while reading eBooks? To prevent digital eye strain, take regular breaks, adjust the font size and background color, and ensure proper lighting while reading eBooks. What the advantage of interactive eBooks? Interactive eBooks incorporate multimedia elements, quizzes, and activities, enhancing the reader engagement and providing a more immersive learning experience. Ford Model A Generator Wiring is one of the best book in our library for free trial. We provide copy of Ford Model A Generator Wiring in digital format, so the resources that you find are reliable. There are also many Ebooks of related with Ford Model A Generator Wiring. Where to download Ford Model A Generator Wiring online for free? Are you looking for Ford Model A Generator Wiring PDF? This is definitely going to save you time and cash in something you should think about. If you trying to find then search around for online. Without a doubt there are numerous these available and many of them have the freedom. However without doubt you receive whatever you purchase. An alternate way to get ideas is always to check another Ford Model A Generator Wiring.

This method for see exactly what may be included and adopt these ideas to your book. This site will almost certainly help you save time and effort, money and stress. If you are looking for free books then you really should consider finding to assist you try this. Several of Ford Model A Generator Wiring are for sale to free while some are payable. If you arent sure if the books you would like to download works with for usage along with your computer, it is possible to download free trials. The free guides make it easy for someone to free access online library for download books to your device. You can get free download on free trial for lots of books categories. Our library is the biggest of these that have literally hundreds of thousands of different products categories represented. You will also see that there are specific sites catered to different product types or categories, brands or niches related with Ford Model A Generator Wiring. So depending on what exactly you are searching, you will be able to choose e books to suit your own need. Need to access completely for Campbell Biology Seventh Edition book? Access Ebook without any digging. And by having access to our ebook online or by storing it on your computer, you have convenient answers with Ford Model A Generator Wiring To get started finding Ford Model A Generator Wiring, you are right to find our website which has a comprehensive collection of books online. Our library is the biggest of these that have literally hundreds of thousands of different products represented. You will also see that there are specific sites catered to different categories or niches related with Ford Model A Generator Wiring So depending on what exactly you are searching, you will be able tochoose ebook to suit your own need. Thank you for reading Ford Model A Generator Wiring. Maybe you have knowledge that, people have search numerous times for their favorite readings like this Ford Model A Generator Wiring, but end up in harmful downloads. Rather than reading a good book with a cup of coffee in the afternoon, instead they juggled with some harmful bugs inside their laptop. Ford Model A Generator Wiring is available in our book collection an online access to it is set as public so you can download it instantly. Our digital library spans in multiple locations, allowing you to get the most less latency time to download any of our books like this one. Merely said, Ford Model A Generator Wiring is universally compatible with any devices to read.

Find Ford Model A Generator Wiring :

living room retreat meditations for home use with a 12week plan for group sharing

living lanterns; luminescence in animals

[livres francais parus en amerique de 1940 a 1944 documents bibliographiques no 1](#)

[living wills simplified cd](#)

[lock bypass methods](#)

[loci ubi deus quaeritur](#)

local administration in west africa

[lizards as a new pet](#)

[living in two worlds](#)

[living japanese the complete living language course](#)

[living with divorce activities to help children cope with difficult situations for primary grades](#)

local transport in st helens 18791974 british bus heritage

[livingstons complete music business reference](#)

[locchio di cesare vecellio](#)

local heroes architects of australia's sunshone coast

Ford Model A Generator Wiring :

[foundations of finance 9th edition solutions and answers](#) - Aug 03 2022

web foundations in personal finance high school edition answer key chapter 3 foundations in personal finance chapter 3 test quiz quizizz answer choices a

foundations in personal finance ramsey dave author free - Mar 30 2022

web foundations in personal finance chapter 11 money review answer key author sportstown post gazette com 2023 03 02t00 00 00 00 01 subject foundations in

foundations in personal finance college edition 1st - Jan 08 2023

web fill foundations in personal finance chapter 3 answer key pdf edit online sign fax and printable from pc ipad tablet or mobile with pdfiller instantly try now

procedure answer key objective - Nov 06 2022

web foundations in personal finance chapter 3 test quiz quizizz answer choices a cash flow statement summarizes all of the income and outgo spending over a certain time

foundations in personal finance chapter 3 test review - Apr 11 2023

web a written budget if followed removes from your finances guilt overspending management by crisis the following are guidelines for budgeting with an irregular

[foundations in personal finance chapter 3 answer key pdf](#) - Oct 25 2021

foundations in personal finance answer key pdf - Nov 25 2021

web apr 26 2023 if you are looking for the foundations in personal finance chapter 3 answer key pdf you've come to the right place download the answer key pdf for free

foundations in personal finance chapter 3 review answer key - Feb 26 2022

web the foundations in personal finance high school curriculum consists of 13 chapters of essential personal finance principles like how to budget save avoid debt invest be a

foundations in personal finance high school curriculum - Jan 28 2022

web we re excited to announce the new fourth edition of foundations in personal finance high school curriculum for the classroom in this new edition you ll see new content experts

foundations in personal finance chapter 3 answer key personal - Apr 30 2022

web 284 pages 28 cm teaches you how to save money invest and build wealth write and follow a budget live debt free and attend college without student loans set and achieve

teacher support where to find answer keys ramsey education - Aug 15 2023

web aug 8 2022 where are the answer keys for foundations in personal finance high school 4th edition for foundations in personal finance middle school for

foundations in personal finance chapter 1 flashcards quizlet - Sep 04 2022

web find step by step solutions and answers to foundations of finance 9780134426815 as well as thousands of textbooks so you can move forward with confidence fresh features

foundations in personal finance chapter 3 budgeting - Jun 13 2023

web vocabulary for foundations in personal finance chapter 3 learn with flashcards games and more for free

new 4th edition high school personal finance curriculum - Dec 27 2021

web answer key for chapter 3 of foundations in personal finance so whether you re a first time reader or just need a refresher we ve got you covered introduction personal

foundations in personal finance chapter 3 test study - Jul 14 2023

web created by beebnsnceej teacher terms in this set 42 what are the consequences of of overdrawing your checking account bounced check fee from the store the overdraft fee

foundations in personal finance welcome to mr - Feb 09 2023

web 4 foundations in personal finance dave ramsey a personal money management expert is an extremely popular national radio personality and author of the new york times

foundations in personal finance chapter 3 answer key pdf - Jun 01 2022

web feb 16 2018 each chapter in this new edition is revised to reflect the latest in personal finance trends and information answer keys for checkpoint questions end of chapter

foundations in personal finance high school edition answer - Oct 05 2022

web study with quizlet and memorize flashcards containing terms like why should students learn about personal finance what are key components of financial planning what

foundations in personal finance chapter 3 quizlet - Mar 10 2023

web 43 terms tharper2018 foundations in personal finance chapter 1 why should students learn about persona what are key components of financial pl what best describes

foundations in personal finance chapter 3 answer key pdf - Dec 07 2022

web chapter foundations in personal finance high school dition the student budget 3 3 part 2 directions after completing the student budgets answer the following questions

foundations in personal finance answer key chapter 3 - May 12 2023

web foundations in personal finance answer key chapter 3 added by users 3854 kb s 2509 foundations in personal finance chapter 4 quizizz answer choices getting a

foundations in personal finance chapter 3 budgeting answer key - Jul 02 2022

web read book foundations in personal finance answer key chapter 3 pdf for free recognizing the habit ways to get this books foundations in personal finance

[der untergang wikipedia](#) - Aug 13 2023

web der untergang ist ein deutschsprachiger geschichtsfilm von oliver hirschbiegel aus dem jahr 2004 der film thematisiert vor allem die gescheneisse im berliner führerbunker während der schlacht um berlin in den letzten tagen des zweiten weltkriegs in europa und erhielt 2005 eine oscar nominierung in der kategorie bester fremdsprachiger film

downfall 2004 directed by oliver hirschbiegel letterboxd - Feb 07 2023

web a masterwork of breathtaking realism historical accuracy downfall der untergang recreates the events surrounding the final days of german dictator adolf hitler in the führerbunker while also depicting the fall of the third reich berlin during world war ii

downfall 2004 plot imdb - Mar 08 2023

web with the fall of germany imminent 24 year old traudl junge had just become personal secretary of the führer adolf hitler this film recreates from ms junge s recollections the final 2 weeks of the thousand year third reich beginning 20 april 1945 the day of hitler s 56th birthday spent primarily in the führer bunker she and many of

der untergang oliver hirschbiegel free download borrow - Apr 09 2023

web sep 16 2004 german in november 1942 at the wolf s lair in east prussia leader of nazi germany adolf hitler selects traudl junge as his personal secretary three years later the red army has pushed germany s forces back and surrounded berlin on hitler s 56th birthday the red army begins shelling berlin s city centre

[downfall rotten tomatoes](#) - May 10 2023

web movie info in 1942 young traudl junge alexandra maria lara lands her dream job secretary to adolf hitler bruno ganz at the peak of his power three years later hitler s empire is now his

downfall 2004 imdb - Sep 14 2023

web apr 8 2005 downfall directed by oliver hirschbiegel with bruno ganz alexandra maria lara corinna harfouch ulrich matthes traudl junge the final secretary for adolf hitler tells of the nazi dictator s final days in his berlin bunker at the end of wwii

[der untergang 2004 official hd trailer 1080p youtube](#) - Jul 12 2023

web sep 29 2014 der untergang 2004 official hd trailer 1080p review bit ly deruntergang korte inhoud de duitse tiran adolf hitler bruno ganz brengt de laatste dagen van zijn heerschappij

[downfall 2004 film wikipedia](#) - Oct 15 2023

web downfall german der untergang is a 2004 historical war drama film directed by oliver hirschbiegel from a screenplay by its producer bernd eichinger it is set during the battle of berlin in world war ii when nazi germany is on the verge of defeat and depicts the final days of adolf hitler portrayed by bruno ganz

[the famous downfall scene explained what really open culture](#) - Jun 11 2023

web dec 29 2021 downfall presents us with a convincing if highly condensed portrait of the major personalities involved but the scene that spawned a thousand youtube parodies writes alex ross at the new yorker is based in part on problematic sources one of these the so called hitler book was compiled from testimony of two hitler

nursing assistant courses in istanbul turkey - Jan 09 2023

web nursing assistant diploma level 3 adams academy duration upto 9 hours 90 off through laimoon get this deal try 689 try 4 604 pay enrol now add to wishlist read more load more courses see all current nursing assistant jobs in istanbul nursing assistant careers in istanbul

nursing auxiliary post at tshilidzini pdf pdf bukuclone ortax - Aug 04 2022

web nursing auxiliary post at tshilidzini pdf introduction nursing auxiliary post at tshilidzini pdf pdf annual report australian inland mission nursing service 1966 post basic applicant handbook english national board for nursing midwifery and health visiting nurses central clearing house 1986

career paths and opportunities for nursing in istanbul - Mar 31 2022

web nursing jobs in istanbul see all nursing jobs in istanbul job types full time part time internship freelance

auxiliary nursing vacancy post at tshilidzini ieee staff copy - Jul 03 2022

web as this auxiliary nursing vacancy post at tshilidzini it ends going on instinctive one of the favored ebook auxiliary nursing

vacancy post at tshilidzini collections that we have this is why you remain in the best website to see the unbelievable book to have supervision in social work alfred kadushin 1992

tureng auxiliary türkçe İngilizce sözlük - Jan 29 2022

web auxiliary s tali 11 genel auxiliary s destek 12 genel auxiliary s yan 13 genel auxiliary s yedek 14 genel auxiliary s ikincil 15 genel auxiliary s takviye 16 genel auxiliary s takviye edici 17 genel auxiliary s takviye eden 18 genel auxiliary s destekleyen trade economic 19 ticaret ekonomi auxiliary i

auxiliary nursing vacancy post at tshilidzini copy uniport edu - May 01 2022

web feb 23 2023 auxiliary nursing vacancy post at tshilidzini is available in our book collection an online access to it is set as public so you can get it instantly our digital library hosts in multiple countries allowing you to get the most less latency time to download any of our books like this one

nursing auxiliary post at tshilidzini wrbb neu - May 13 2023

web this nursing auxiliary post at tshilidzini as one of the most on the go sellers here will utterly be along with the best options to review nursing auxiliary post at tshilidzini 2020 04 18

most popular universities and programmes to study nursing in - Nov 07 2022

web below you can find the most popular universities and programmes to study nursing in istanbul turkey this list is based on visitors on the studyportals websites listing more than 150 000 english taught bachelor s and master s programmes world wide

nursing auxiliary post at tshilidzini pdf free red ortax - Jun 02 2022

web prepares you by sharpening the skills and abilities necessary to succeed on your upcoming entrance exam it provides hundreds of questions and answers in the areas that will likely be covered on your upcoming exam including but not limited to medical nursing surgical nursing obstetric nursing pediatric nursing psychiatric nursing and more

nursing auxiliary post at tshilidzini kelliemay - Feb 27 2022

web dec 10 2022 merely said the nursing auxiliary post at tshilidzini is universally compatible with any devices to read curing their ills megan vaughan 2013 06 06 curing their ills traces the history of encounters between europeanmedicine and african societies in the nineteenth and twentiethcenturies

nursing auxiliary post at tshilidzini - Jul 15 2023

web merely said the nursing auxiliary post at tshilidzini is universally compatible with any devices to read psychiatric nursing patricia g o brien 1999 the community is my university selina maphorogo 2003 as a result of community research and community actions through the engagement of thousands of people organized in care groups

tshilidzini hospital nursing requirements 2023 2024 - Aug 16 2023

web oct 31 2022 new nursing auxiliary to be advised general nursing science b course r683 2 years basic diploma r425 4 years post basic registration diplomas r212 child nursing science community nursing science clinical assessment treatment and care critical nursing science operating nursing

nurse jobs needed in istanbul expat com - Dec 28 2021

web nurse job applications in istanbul post your free ad here if you are looking for nurse positions and careers

nursing auxiliary post at tshildzini david pratt 2023 - Sep 05 2022

web you could buy guide nursing auxiliary post at tshildzini or acquire it as soon as feasible you could speedily download this nursing auxiliary post at tshildzini after getting deal

İstanbul Üniversitesi aziz sancar deneysel tıp araştırma enstitüsü - Mar 11 2023

web 16 12 2020 İmmünoloji anabilim dalı semineri 17 aralık 2020 günü saat 13 30 da gerçekleşecektir 14 12 2020 xii aziz sancar deneysel tıp araştırma enstitüsü günleri katılım belgeleri hakkında 06 10 2020 enstitümüzde anti sars cov 2 testi 19 ekim 2020 tarihi itibari ile çalışılmaya başlanacaktır

study nursing in turkey universities fees global academia - Dec 08 2022

web do you want to study nursing in turkey here we have universities in turkey offering nursing and tuition fees apply with scholarship now

auxiliary nursing vacancy post at tshildzini - Apr 12 2023

web april 23rd 2018 auxiliary nursing vacancy post at tshildzini finanzia deauxiliary nurses vacancy in kalafong hospital udiehl de staff nurse notification 2018 latest

tshildzini hospital nursing school 2024 intake requirements - Jun 14 2023

web feb 27 2023 the south african nursing council sanc as well as the tshildzini hospital nursing school and midwifery has released the online admission application form for prospective candidates that seek admission into the tshildzini hospital nursing school for 2024 academic year

acıbadem altunizade hospital acıbadem sağlık grubu - Oct 06 2022

web acıbadem altunizade hospital comprises many full featured units along with the technical infrastructure medical technology professional healthcare personnel in all branches and multidisciplinary approach many specialized units from oncology unit to neurosurgery unit from cell therapy unit to robotic surgery unit are located in the hospital

istanbul hasta bakıcı İş İlanı 14 eylül 2023 indeed com - Feb 10 2023

web istanbul konumundaki 23 açık hasta bakıcı iş ilanı dünyanın en büyük iş sitesi indeed com adresinde