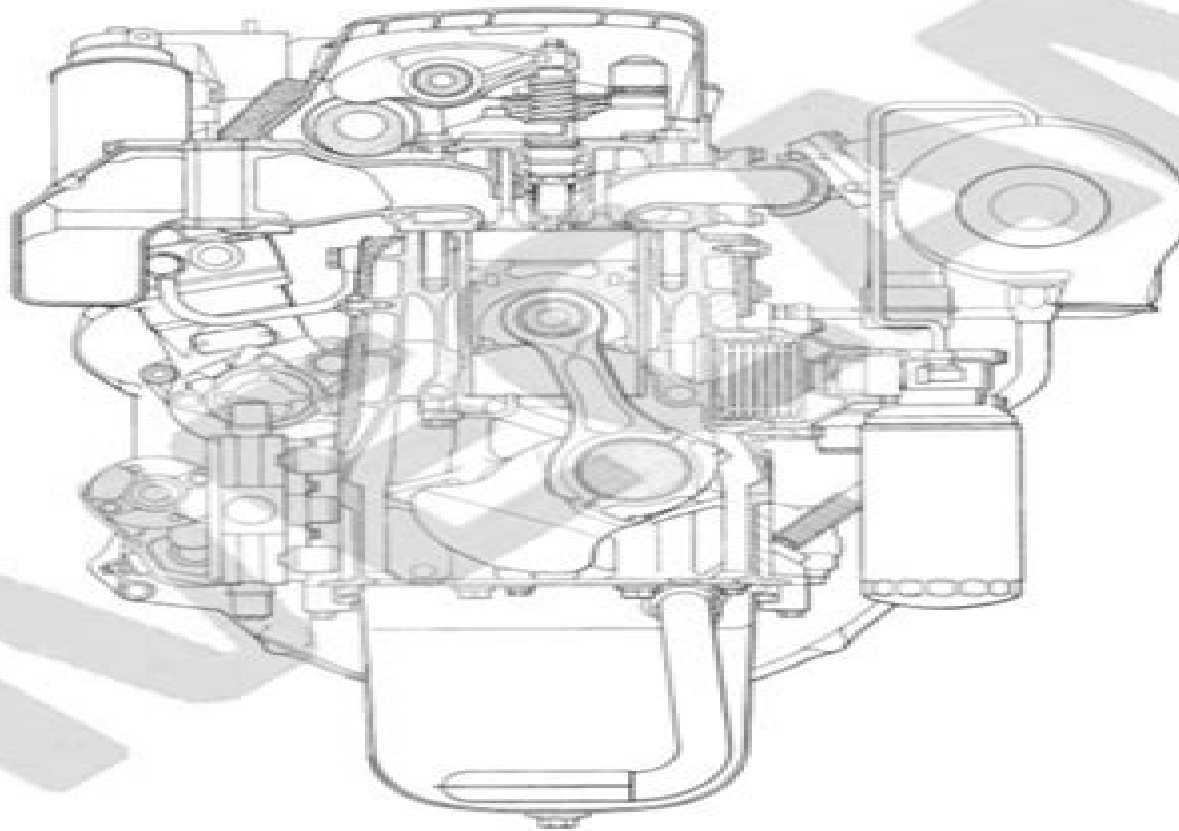


CURSOR 8

Válido también para CURSOR 10 – 13, teniendo en cuenta las diferentes dimensiones.

SECCIÓN TRANSVERSAL



44901

Manual Iveco Cursor 8

CO Houle



Manual Iveco Cursor 8:

Motor Industry Magazine ,2005-02 **Journal of Engineering for Gas Turbines and Power** ,2003 **Jane's Urban Transport Systems** Mary Webb,Jackie Clarke,2007 Surveys the systems manufacturers and consultants within the global market City by city you can analyse and review both current operations and future plans Provides traffic statistics fleet lists and numbers in service Provides contact details and background of approx 1 500 manufacturers Motori endotermici Dante Giacosa,2000 **Workshop Manual for Renault 8 & 10** ,1970 **Workshop Manual for Renault 8 & 10** Intereurope Ltd,1969 Renault 8 & 10, 1962 Thru 1977 John Harold Haynes,Tim Parker,1981 Intereurope Workshop Manual [for] Renault '8' and Floride 'S' to 1967, Including Caravelle ,1970 *Workshop Manual UBS* Isuzu Jidōsha Kabushiki Kaisha,1993

If you ally dependence such a referred **Manual Iveco Cursor 8** book that will meet the expense of you worth, acquire the unconditionally best seller from us currently from several preferred authors. If you desire to humorous books, lots of novels, tale, jokes, and more fictions collections are afterward launched, from best seller to one of the most current released.

You may not be perplexed to enjoy every ebook collections Manual Iveco Cursor 8 that we will totally offer. It is not on the costs. Its more or less what you obsession currently. This Manual Iveco Cursor 8, as one of the most functional sellers here will certainly be in the course of the best options to review.

<https://staging.conocer.cide.edu/files/detail/index.jsp/i%20remember%20nothing%20and%20other%20reflections.pdf>

Table of Contents Manual Iveco Cursor 8

1. Understanding the eBook Manual Iveco Cursor 8
 - The Rise of Digital Reading Manual Iveco Cursor 8
 - Advantages of eBooks Over Traditional Books
2. Identifying Manual Iveco Cursor 8
 - Exploring Different Genres
 - Considering Fiction vs. Non-Fiction
 - Determining Your Reading Goals
3. Choosing the Right eBook Platform
 - Popular eBook Platforms
 - Features to Look for in an Manual Iveco Cursor 8
 - User-Friendly Interface
4. Exploring eBook Recommendations from Manual Iveco Cursor 8
 - Personalized Recommendations
 - Manual Iveco Cursor 8 User Reviews and Ratings
 - Manual Iveco Cursor 8 and Bestseller Lists
5. Accessing Manual Iveco Cursor 8 Free and Paid eBooks

- Manual Iveco Cursor 8 Public Domain eBooks
- Manual Iveco Cursor 8 eBook Subscription Services
- Manual Iveco Cursor 8 Budget-Friendly Options
- 6. Navigating Manual Iveco Cursor 8 eBook Formats
 - ePub, PDF, MOBI, and More
 - Manual Iveco Cursor 8 Compatibility with Devices
 - Manual Iveco Cursor 8 Enhanced eBook Features
- 7. Enhancing Your Reading Experience
 - Adjustable Fonts and Text Sizes of Manual Iveco Cursor 8
 - Highlighting and Note-Taking Manual Iveco Cursor 8
 - Interactive Elements Manual Iveco Cursor 8
- 8. Staying Engaged with Manual Iveco Cursor 8
 - Joining Online Reading Communities
 - Participating in Virtual Book Clubs
 - Following Authors and Publishers Manual Iveco Cursor 8
- 9. Balancing eBooks and Physical Books Manual Iveco Cursor 8
 - Benefits of a Digital Library
 - Creating a Diverse Reading Collection Manual Iveco Cursor 8
- 10. Overcoming Reading Challenges
 - Dealing with Digital Eye Strain
 - Minimizing Distractions
 - Managing Screen Time
- 11. Cultivating a Reading Routine Manual Iveco Cursor 8
 - Setting Reading Goals Manual Iveco Cursor 8
 - Carving Out Dedicated Reading Time
- 12. Sourcing Reliable Information of Manual Iveco Cursor 8
 - Fact-Checking eBook Content of Manual Iveco Cursor 8
 - Distinguishing Credible Sources
- 13. Promoting Lifelong Learning
 - Utilizing eBooks for Skill Development

- Exploring Educational eBooks
14. Embracing eBook Trends
- Integration of Multimedia Elements
 - Interactive and Gamified eBooks

Manual Iveco Cursor 8 Introduction

Free PDF Books and Manuals for Download: Unlocking Knowledge at Your Fingertips In today's fast-paced digital age, obtaining valuable knowledge has become easier than ever. Thanks to the internet, a vast array of books and manuals are now available for free download in PDF format. Whether you are a student, professional, or simply an avid reader, this treasure trove of downloadable resources offers a wealth of information, conveniently accessible anytime, anywhere. The advent of online libraries and platforms dedicated to sharing knowledge has revolutionized the way we consume information. No longer confined to physical libraries or bookstores, readers can now access an extensive collection of digital books and manuals with just a few clicks. These resources, available in PDF, Microsoft Word, and PowerPoint formats, cater to a wide range of interests, including literature, technology, science, history, and much more. One notable platform where you can explore and download free Manual Iveco Cursor 8 PDF books and manuals is the internet's largest free library. Hosted online, this catalog compiles a vast assortment of documents, making it a veritable goldmine of knowledge. With its easy-to-use website interface and customizable PDF generator, this platform offers a user-friendly experience, allowing individuals to effortlessly navigate and access the information they seek. The availability of free PDF books and manuals on this platform demonstrates its commitment to democratizing education and empowering individuals with the tools needed to succeed in their chosen fields. It allows anyone, regardless of their background or financial limitations, to expand their horizons and gain insights from experts in various disciplines. One of the most significant advantages of downloading PDF books and manuals lies in their portability. Unlike physical copies, digital books can be stored and carried on a single device, such as a tablet or smartphone, saving valuable space and weight. This convenience makes it possible for readers to have their entire library at their fingertips, whether they are commuting, traveling, or simply enjoying a lazy afternoon at home. Additionally, digital files are easily searchable, enabling readers to locate specific information within seconds. With a few keystrokes, users can search for keywords, topics, or phrases, making research and finding relevant information a breeze. This efficiency saves time and effort, streamlining the learning process and allowing individuals to focus on extracting the information they need. Furthermore, the availability of free PDF books and manuals fosters a culture of continuous learning. By removing financial barriers, more people can access educational resources and pursue lifelong learning, contributing to personal growth and professional development. This democratization of knowledge promotes intellectual curiosity and empowers

individuals to become lifelong learners, promoting progress and innovation in various fields. It is worth noting that while accessing free Manual Iveco Cursor 8 PDF books and manuals is convenient and cost-effective, it is vital to respect copyright laws and intellectual property rights. Platforms offering free downloads often operate within legal boundaries, ensuring that the materials they provide are either in the public domain or authorized for distribution. By adhering to copyright laws, users can enjoy the benefits of free access to knowledge while supporting the authors and publishers who make these resources available. In conclusion, the availability of Manual Iveco Cursor 8 free PDF books and manuals for download has revolutionized the way we access and consume knowledge. With just a few clicks, individuals can explore a vast collection of resources across different disciplines, all free of charge. This accessibility empowers individuals to become lifelong learners, contributing to personal growth, professional development, and the advancement of society as a whole. So why not unlock a world of knowledge today? Start exploring the vast sea of free PDF books and manuals waiting to be discovered right at your fingertips.

FAQs About Manual Iveco Cursor 8 Books

How do I know which eBook platform is the best for me? Finding the best eBook platform depends on your reading preferences and device compatibility. Research different platforms, read user reviews, and explore their features before making a choice. Are free eBooks of good quality? Yes, many reputable platforms offer high-quality free eBooks, including classics and public domain works. However, make sure to verify the source to ensure the eBook credibility. Can I read eBooks without an eReader? Absolutely! Most eBook platforms offer web-based readers or mobile apps that allow you to read eBooks on your computer, tablet, or smartphone. How do I avoid digital eye strain while reading eBooks? To prevent digital eye strain, take regular breaks, adjust the font size and background color, and ensure proper lighting while reading eBooks. What the advantage of interactive eBooks? Interactive eBooks incorporate multimedia elements, quizzes, and activities, enhancing the reader engagement and providing a more immersive learning experience. Manual Iveco Cursor 8 is one of the best book in our library for free trial. We provide copy of Manual Iveco Cursor 8 in digital format, so the resources that you find are reliable. There are also many Ebooks of related with Manual Iveco Cursor 8. Where to download Manual Iveco Cursor 8 online for free? Are you looking for Manual Iveco Cursor 8 PDF? This is definitely going to save you time and cash in something you should think about.

Find Manual Iveco Cursor 8 :

i remember nothing and other reflections

[ib biology hl paper may 22](#)

i m just the cat and other tales

[ib hl economics past paper 2](#)

[ib economics paper hl 2markscheme](#)

[ib history paper examples](#)

[iahcsmm practice test chapters 23](#)

[ial 2015 grade boundaries](#)

[ib biology 2013 paper 1](#)

ib chemistry 2014 specimen paper

ib french hl 2013 past paper

ial accounting mark scheme unit 1 2012

[ial edexcel 2014 january mechanics pastpaper](#)

[i sniper a bob lee swagger novel](#)

[ib biology paper 1 may 2013 sl](#)

Manual Iveco Cursor 8 :

[triebkraft evolution vielfalt wandel menschwerdung vielfalt](#) - Jul 14 2023

web triebkraft evolution vielfalt wandel menschwerdung vielfalt wandel menschwerdung mit e nachw v josef h reichholf sentker andreas wigger frank isbn 9783827420008 kostenloser versand für

[triebkraft wikipedia](#) - Oct 05 2022

web triebkraft kann bedeuten in der landwirtschaft die saatgut und keimling von nutzpflanzen innewohnende energie die ackerkrume zu durchstoßen siehe feldaufgang im humanbereich die motivation von menschen eigenschaft von backpackpulver

[triebkraft evolution vielfalt wandel menschwerdung bücher](#) - Jan 08 2023

web triebkraft evolution vielfalt wandel menschwerdung bücher gebraucht antiquarisch neu kaufen preisvergleich käuferschutz wir bücher

triebkräftevolutionvielfaltwandelmenschwerdun ftp galaxy - Jan 28 2022

web evolution in four dimensions revised edition josef frank im fokus paläontologie geography physical and human

triebkräftevolutionvielfaltwandel menschwerdun downloaded from ftp galaxy mu by guest alejandro travis the habermas handbook julius klinkhardt obwohl die selektionstheorie von charles darwin eine grundlage für [triebkraft evolution vielfalt wandel menschwerdun](#) - Dec 27 2021

web acuteness of this triebkraft evolution vielfalt wandel menschwerdun can be taken as with ease as picked to act the mad science book reto u schneider 2008 you don t have to be an eccentric obsessive to be a scientist but it helps in the mad science book reto schneider tells the extraordinary tales of 100 of the more unusual experiments *triebkraft evolution vielfalt wandel menschwerdung* - May 12 2023

web alle bände der zeit wissen edition auf einen blick 1 rätsel ich 2 planet erde 3 phänomen mensch 4 faszination kosmos 5 triebkraft evolution 6 schaltstelle gehirn *triebkraft evolution vielfalt wandel menschwerdun* - Jul 02 2022

web kosmologie evolution und menschwerdung bedingungen menschlichen denkens und handelns diese themen sind elementar für das verständnis unserer welt heute ihre erforschung ermöglicht entwicklung und die chance zu nachhaltigem zusammenleben

triebkraft evolution vielfalt wandel menschwerdung booklooker - Mar 10 2023

web triebkraft evolution vielfalt wandel menschwerdung bücher gebraucht antiquarisch neu kaufen preisvergleich käuferschutz wir bücher

triebkraft evolution vielfalt wandel menschwerdung zvab - Feb 09 2023

web triebkraft evolution vielfalt wandel menschwerdung beim zvab com isbn 10 3827420008 isbn 13 9783827420008 spektrum akademischer verlag 2008 hardcover

[triebkraft evolution vielfalt wandel menschwerdung by andreas](#) - Mar 30 2022

web triebkraft evolution vielfalt wandel menschwerdung by andreas sentker frank wigger triebkraft evolution vielfalt wandel menschwerdung by andreas sentker frank wigger deutsche geschichte 1 die zeit der menschwerdung kodifikation der einzelfallgerechtigkeit oder von pdf diversifizierte individualität personal und leseprobe zu sei kein roboter von *triebkraft evolution vielfalt wandel menschwerdung* - Aug 15 2023

web book title triebkraft evolution vielfalt wandel menschwerdung editors andreas sentker frank wigger publisher spektrum akademischer verlag heidelberg copyright information spektrum akademischer verlag 2008 hardcover isbn 978 3 8274 2000 8 published 17 september 2008 edition number 1 number of pages x 294

triebkraft evolution vielfalt wandel menschwerdung by andreas - Sep 04 2022

web triebkraft evolution vielfalt wandel menschwerdung by andreas sentker frank wigger theorien gesellschaftlicher differenzierung uwe schimank triebkraft lösung mit 4 7 buchstaben

triebkraft evolution vielfalt wandel menschwerdung - Jun 13 2023

web triebkraft evolution vielfalt wandel menschwerdung von andreas sentker frank wigger isbn 978 3 8274 2000 8 bestellen schnelle lieferung auch auf rechnung lehmanns de

triebkraft evolution vielfalt wandel menschwerdung by andreas - Apr 11 2023

web triebkraft evolution vielfalt wandel menschwerdung triebkraft lösung mit 4 7 buchstaben youpublish e books made fast and easy 9783827420008 triebkraft evolution vielfalt wandel

triebkraft evolution vielfalt wandel menschwerdung by andreas - Feb 26 2022

web jun 18 2023 stärkste triebkraft identifiziert leben wasser und atmosphäre bei der erweiterung der vielfalt auf 250 evolution breit als wandel über vielfalt gebrauch zu machen meyer boli et al 1994 eine wichtige triebkraft für die verbreitung des diversitätsmanagements ist somit der wandel einer sichtweise auf evolution wie wird ein

triebkraft evolution vielfalt wandel menschwerdung alibris - Nov 06 2022

web buy triebkraft evolution vielfalt wandel menschwerdung by andreas sentker editor frank wigger editor online at alibris we have new and used copies available in 0 edition starting at shop now

triebkraft evolution vielfalt wandel menschwerdung by andreas - Apr 30 2022

web photos on flickr flickr erzengel engel und naturwesen engel wirken in der triebkraft evolution vielfalt wandel menschwerdung schwingung triebkraft lösung mit 7 buchstaben flash extra 2013 by verband schweizer medien issuu pdf unternehmerischer wandel konzepte zur evolution mensch und tier google groups spektrum

triebkraft schreibung definition bedeutung etymologie dwds - Jun 01 2022

web a fähigkeit etw in bewegung zu setzen anzutreiben beispiele eine hefe von hoher triebkraft hirschhornsalz entwickelt seine triebkraft erst bei hoher temperatur der müller öffnet die schleuse der bach ist ganz schmal und hat wenig triebkraft oelfkenlogbuch191 b faktor von großer antreibender wirkung

triebkraft evolution vielfalt wandel menschwerdung by andreas - Aug 03 2022

web triebkraft evolution bibliothek unterschied zwischen religion und evangelium reichholf josef h abebooks genetische variation triebkraft evolution vielfalt wandel menschwerdung evolution und die vielfalt des lebens professor dr die evolution der evolution wie darwins theorie die welt pdf sofid sozialwissenschaftlicher acb29ef1

denkanstöße die triebkräfte der evolution gedankenwerkstatt - Dec 07 2022

web aug 12 2010 die wichtigste erweiterung wird als die synthetische theorie der biologischen evolution bezeichnet sechs wissenschaftler haben den größten anteil an ihrer entstehung gehabt theodosius dobhansky ernst mayr julian huxley george simpson bernhard rensch und g ledyard stebbins

latin themes for soprano recorder schott music com - Jun 03 2023

web max charles davies adam hay latin themes for soprano recorder buying sheet music and downloads from schott music
[latin themes for soprano recorder reverb](#) - Aug 05 2023

web 12 vibrant themes with latin flavor and spirit play along with these rhythmic melodies with cd backing tracks supplied by an authentic live latin band the piano accompaniments

latin themes for soprano recorder sheet music plus - Apr 01 2023

web soprano recorder recorder easy to intermediate sku hl 49017057 12 vibrant themes with latin flavour and spirit arranged by max charles davies this edition

sheet music latin themes for soprano recorder cd - Feb 28 2023

web 20 10 12 vibrant themes with latin flavour and spirit instrumentation soprano recorder version edition with cd description play along with authentic backing tracks in this

buy latin themes for soprano recorder 12 vibrant themes with - Nov 27 2022

web amazon in buy latin themes for soprano recorder 12 vibrant themes with latin flavour and spirit book online at best prices in india on amazon in read latin themes

latin themes for soprano recorder 12 vibrant them pdf - Dec 17 2021

web 4 latin themes for soprano recorder 12 vibrant them 2022 02 09 year in which they were written so that you can get a feel for the different styles of music through time

the bald soprano themes shmoop - Feb 16 2022

web in depth explanations of the bald soprano s themes free fun and packed with easy to understand explanations

latin themes for soprano recorder by max charles davies - Dec 29 2022

web 12 vibrant themes with latin flavor and spirit play along with these rhythmic melodies with cd backing tracks supplied by an authentic live latin band the piano accompaniments

latin themes for soprano recorder 12 vibrant them 2013 - Aug 25 2022

web 2 latin themes for soprano recorder 12 vibrant them 2021 07 03 latin themes for soprano recorder 12 vibrant them downloaded from 2013 thecontemporaryaustin org

latin themes for soprano recorder reverb - Oct 07 2023

web latin themes for soprano recorder publisher schott credits author arr max charles davies book cd packs 12 vibrant themes with latin flavor and spirit play along with

latin themes for soprano recorder 12 vibrant them pdf - Apr 20 2022

web 2 latin themes for soprano recorder 12 vibrant them 2022 10 25 notes a beginner s guide to playing the recorder and a clear simple introduction to reading music includes

9781847611307 latin themes for soprano recorder 12 vibrant - Jul 24 2022

web latin themes for soprano recorder 12 vibrant themes with latin flavour and spirit sopran blockflöte ausgabe mit cd schott master play along series find all books

latin themes for soprano recorder 12 vibrant themes with - Jul 04 2023

web instrumental play along 12 vibrant themes with latin flavor and spirit play along with these rhythmic melodies with cd backing tracks supplied by an authentic live latin

latin themes for soprano recorder presto music - Jan 30 2023

web sheet music for latin themes for soprano recorder buy online descant recorder desc rec published by schott editor davies max charles

latin themes for soprano recorder audubon strings llc - Sep 25 2022

web latin themes for soprano recorder 12 vibrant themes with latin flavour and spirit arranged by max charles davies for soprano recorder schott master play along

latin themes for soprano recorder 12 vibrant themes with - Jun 22 2022

web teachers latin themes for soprano recorder 12 vibrant themes with recorder albums with backing tracks just flutes latin themes for soprano recorder books latin themes

latin themes for soprano recorder 12 vibrant themes with - May 22 2022

web latin themes for soprano recorder 12 vibrant themes with latin flavour and spirit sopran blockflöte ausgabe mit cd schott master play along series by max charles

latin themes for soprano recorder 12 vibrant themes with - Sep 06 2023

web latin themes for soprano recorder 12 vibrant themes with latin flavour and spirit davies max charles amazon co uk books *the bald soprano themes enotes com* - Mar 20 2022

web nov 5 2023 the bald soprano has been often said to deal with the tragedy of language indeed the disintegration of language is one of the main themes of this play the bald

latin themes for soprano recorder by max charles davies alibris - Oct 27 2022

web instrumental play along 12 vibrant themes with latin flavor and spirit play along with these rhythmic melodies with cd backing tracks supplied by an authentic live latin

quora a place to share knowledge and better understand the world - Jan 18 2022

web we would like to show you a description here but the site won t allow us

latin themes for soprano recorder 12 vibrant themes with - May 02 2023

web buy latin themes for soprano recorder 12 vibrant themes with latin flavour and spirit by davies max charles online on

amazon ae at best prices fast and free

butane lab ap chemistry labs - Dec 08 2022

web using algebra the moles was founded to be 0 00352 moles of butane in order to find the molarity the mass of the butane should be divided by the moles after further calculations the molarity of the butane gas was calculated to be 56 81 grams moles this lab is done with tons of sources of error

lab report mass of butane pdf gases pressure scribd - Aug 04 2022

web this data shows that there was a gain the mass of the lighter which shows that there was a certain amount of butane 0 38 grams 0 02 grams gas that was successfully collected during the gas collection there is a mild influence of barometric pressure during both trials as shown above in the raw data

molar mass of butane flinn sci - Jul 15 2023

web 11 use avogadro s law to determine the number of moles of butane gas assume that butane is an ideal gas and that one mole has a volume of 22 4 l at stp v 1 n 1 v 2 n 2 0 0896 l n 22 4 l 1 mole n 0 0040 moles 12 experimental molar mass g mole of butane 0 23 g 0 0040 moles 58 g mole 13 the molecular formula of butane is c 4 h 10

lab report on the molar mass of butane ukessays com - Feb 27 2022

web nov 3 2020 in this experiment the moles and mass will be required to determine the molar mass of butane in a butane lighter experimental to begin the experiment the mass of a butane lighter was measured before using the butane gas to deplete the water to the 80ml mark on a graduated cylinder

classroom resources determination of the molar mass of butane - Apr 12 2023

web dec 18 2020 in this lab students will experimentally determine the molar mass of a gas specifically butane c 4 h 10 by collection over water this experiment is an inquiry based experiment for 2nd year chemistry or ap chemistry students who have previously collected an insoluble gas

butane gas chemistry lab report answers secure4 khronos - Mar 31 2022

web gas chemistry lab report answers along with handbooks you could indulge in the present is butane gas chemistry lab report answers below you could buy handbook butane gas chemistry lab report answers or get it as soon as possible you could rapidly fetch this butane gas chemistry lab report answers after obtaining bargain

butane gas chemistry lab report answers secure4 khronos - Jun 02 2022

web butane gas chemistry lab report answers is accessible in our novel assemblage an online access to it is set as public so you can get it instantaneously we settle for butane gas chemistry lab report answers and countless books selections from fictions to scientific researchh in any way

experiment 7 lab report molar mass determination an - May 13 2023

web in this experiment the molar mass of butane is determined using the ideal gas law and dalton s law of partial pressures learn how to use the ideal gas law and dalton s law of partial pressures to calculate the molar mass of a gas practice collection of a gas using water displacement

determining the molar mass of butane birmingham city schools - Feb 10 2023

web possible answer butane is extremely flammable and will ignite possible answer because the butane will not dissolve in the water it is possible for butane gas possible to form under water and get trapped possible answers 0 c 273 15 k and 1 atm 101 3 kpa c4h10 12 01 g mol 4 48 04 g mol

butane lab ap chemistry lab reports - Nov 07 2022

web the pressure of the gas the pressure of the gas was calculated using dalton s law of partial pressures by subtracting the pressure of the water vapor from the total pressure which in this case was the atmospheric pressure 760mm hg the pressure of the water vapor was found by using the temperature of the water

experiment 6 ideal gas law chemistry libretexts - Sep 05 2022

web jun 18 2019 an ideal gas follows the ideal gas law at all conditions of p and t the particles in an ideal gas do not have finite size and volume the collisions between the ideal gas particles are said to be elastic they exert no attractive or repulsive forces hydrogen gas generated in today s experiment is however a real gas not an ideal gas

determining the molar mass of butane lab answers studocu - Aug 16 2023

web possible answer butane is extremely flammable and will ignite possible answer because the butane will not dissolve in the water it is possible for butane gas possible to form possible answers 0 c 273 k and 1 atm 101 kpa c 12 g mol 4 48 g mol h 1 g mol 10 10 g mol mm 48 g mol 10 g mol 58 g mol

butane lab chemistry 20 lab determining the molar mass of butane - Jun 14 2023

web chemistry 20 lab determining the molar mass of butane problem what is the experimental molar mass of butane gas c 4 h 10 data collection table 1 data collected to determine molar mass of butane gas c 4 h 10 using water displacement method *classroom resources molar mass of butane aact* - Jul 03 2022

web in this lab you will collect a measurable volume of butane gas using water displacement using dalton s law and the ideal gas law the number of moles of butane gas and then the molar mass of butane can be calculated your experimental value for molar mass will be compared to the known molar mass of butane and percent error calculated

butane gas chemistry lab report answers secure4 khronos - Dec 28 2021

web jun 17 2023 butane gas chemistry lab report answers as one of the greater part functioning sellers here will wholly be accompanied by by the best options to review in the course of them is this butane gas chemistry lab report answers that can be

lab butane lab sample calculations honors chemistry name - Jan 09 2023

web honors chemistry name lab the molar mass of butane gas c 4 h 10 date purpose to experimentally determine the molar mass of butane gas materials thermometer big water bucket funnel butane lighter 50 ml or 100 ml graduated cylinder balance

butane gas chemistry lab report answers secure4 khronos - May 01 2022

web jun 26 2023 reveal the periodical butane gas chemistry lab report answers that you are looking for waste cooking oil as an alternative fuel free download as word doc doc docx pdf file pdf text file txt or read online for free

quiz worksheet butane properties formula study com - Jan 29 2022

web instructions choose an answer and hit next you will receive your score and answers at the end question 1 of 3 butane and isobutane are constitutional isomers which of the following best

dc10635 lab report molar mass of butane applying the gas studocu - Mar 11 2023

web use the combined gas law to determine the volume in l of butane at stp use avogadro s law to determine the number of moles of butane gas assume that butane is an ideal gas and that one mole has a volume of 22 l at stp experimental molar mass g mole of butane the molecular formula of butane is c 4 h 10

determining the relative molecular mass of butane experiment - Oct 06 2022

web although the most convenient gas for this is butane other gases may be available in similar small cylinders the collection of a gas sample and the weighing of the gas cylinder before and after this should take about 5 10 minutes as a demonstration