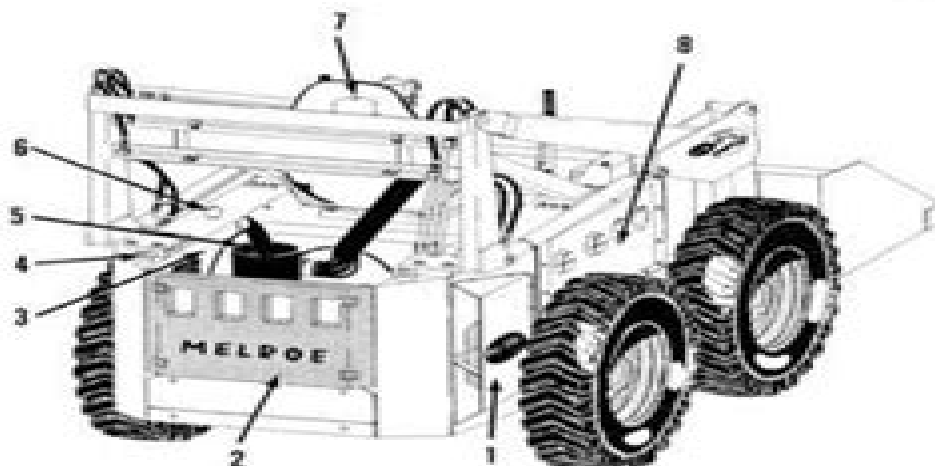
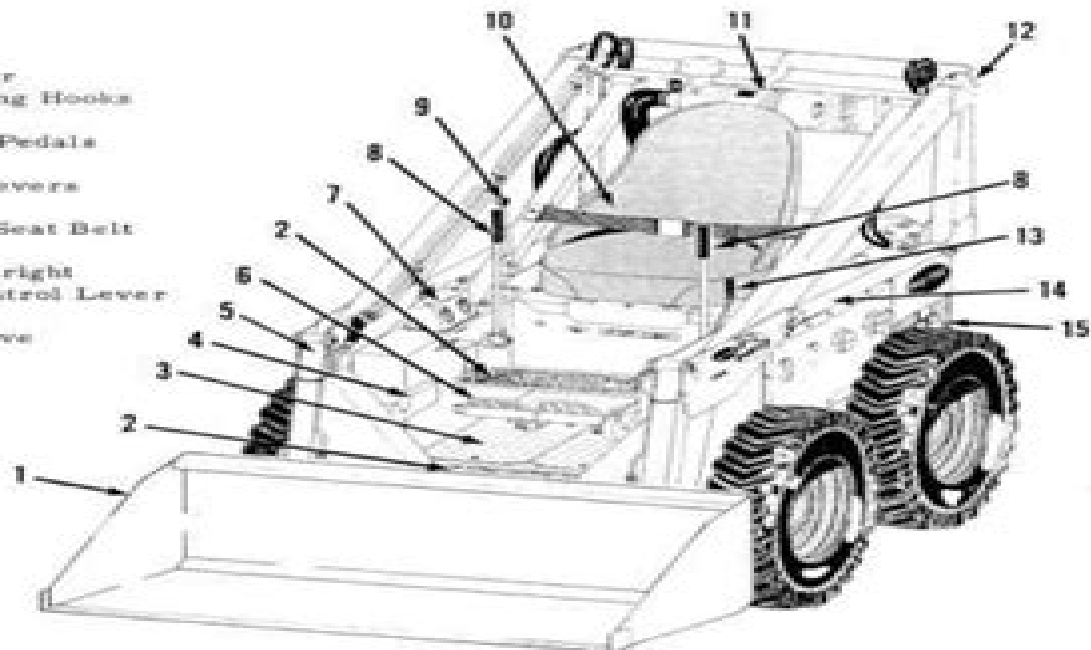


PICTORIAL INDEX

Front View

- 1 Bucket
- 2 Safety Steps
- 3 Hydraulic Oil Filter
- 4 Attachment Mounting Hooks
- 5 Tilt Cylinder
- 6 Hydraulic Control Pedals
- 7 Instrument Panel
- 8 Steering Control Levers
- 9 Throttle Control
- 10 Operator's Seat & Seat Belt
- 11 Air Cleaner
- 12 Loader Boom & Upright
- 13 Variable Speed Control Lever
- 14 Lift Cylinder
- 15 Variable Speed Drive



Rear View

- 1 Air Deflector
- 2 Counterweight
- 3 Engine Compartment
- 4 Fuel Filler
- 5 Exhaust Muffler
- 6 Hydraulic Oil Filler
- 7 Air Intake
- 8 Drive Train

Manual M 500 Bobcat

S Baum



Manual M 500 Bobcat:

Melroe Bobcat Service Manual Clark Equipment Company. Melroe Division,1972 CRASH3 User's Guide and Technical Manual ,1981 *The Wildlife Techniques Manual* Nova J. Silvy,2012-03 A standard text in a variety of courses the Techniques Manual as it is commonly called covers every aspect of modern wildlife management and provides practical information for applying the hundreds of methods described in its pages To effectively incorporate the explosion of new information in the wildlife profession this latest edition is logically organized into a two volume set Volume 1 is devoted to research techniques and Volume 2 focuses on management methodologies **Foundry** ,1969 Foundry Management & Technology ,1969 **Popular Mechanics** ,1980-07 Popular Mechanics inspires instructs and influences readers to help them master the modern world Whether it s practical DIY home improvement tips gadgets and digital technology information on the newest cars or the latest breakthroughs in science PM is the ultimate guide to our high tech lifestyle **Field & Stream** ,1970-10 FIELD STREAM America s largest outdoor sports magazine celebrates the outdoor experience with great stories compelling photography and sound advice while honoring the traditions hunters and fishermen have passed down for generations *Popular Mechanics* ,1977-03 Popular Mechanics inspires instructs and influences readers to help them master the modern world Whether it s practical DIY home improvement tips gadgets and digital technology information on the newest cars or the latest breakthroughs in science PM is the ultimate guide to our high tech lifestyle *Popular Mechanics* ,1985-03 Popular Mechanics inspires instructs and influences readers to help them master the modern world Whether it s practical DIY home improvement tips gadgets and digital technology information on the newest cars or the latest breakthroughs in science PM is the ultimate guide to our high tech lifestyle **Popular Mechanics** ,1977-01 Popular Mechanics inspires instructs and influences readers to help them master the modern world Whether it s practical DIY home improvement tips gadgets and digital technology information on the newest cars or the latest breakthroughs in science PM is the ultimate guide to our high tech lifestyle **Popular Mechanics** ,1983-10 Popular Mechanics inspires instructs and influences readers to help them master the modern world Whether it s practical DIY home improvement tips gadgets and digital technology information on the newest cars or the latest breakthroughs in science PM is the ultimate guide to our high tech lifestyle Popular Mechanics ,1980-10 Popular Mechanics inspires instructs and influences readers to help them master the modern world Whether it s practical DIY home improvement tips gadgets and digital technology information on the newest cars or the latest breakthroughs in science PM is the ultimate guide to our high tech lifestyle *Popular Mechanics* ,1983-03 Popular Mechanics inspires instructs and influences readers to help them master the modern world Whether it s practical DIY home improvement tips gadgets and digital technology information on the newest cars or the latest breakthroughs in science PM is the ultimate guide to our high tech lifestyle **Popular Science** ,1978-03 Popular Science gives our readers the information and tools to improve their technology and their world The core belief that Popular

Science and our readers share The future is going to be better and science and technology are the driving forces that will help make it better **Popular Mechanics** ,1981-06 Popular Mechanics inspires instructs and influences readers to help them master the modern world Whether it s practical DIY home improvement tips gadgets and digital technology information on the newest cars or the latest breakthroughs in science PM is the ultimate guide to our high tech lifestyle Popular Mechanics ,1942-10 Popular Mechanics inspires instructs and influences readers to help them master the modern world Whether it s practical DIY home improvement tips gadgets and digital technology information on the newest cars or the latest breakthroughs in science PM is the ultimate guide to our high tech lifestyle *Popular Science* ,1982-01 Popular Science gives our readers the information and tools to improve their technology and their world The core belief that Popular Science and our readers share The future is going to be better and science and technology are the driving forces that will help make it better **Popular Mechanics** ,1984-12 Popular Mechanics inspires instructs and influences readers to help them master the modern world Whether it s practical DIY home improvement tips gadgets and digital technology information on the newest cars or the latest breakthroughs in science PM is the ultimate guide to our high tech lifestyle **Popular Mechanics** ,1972-10 Popular Mechanics inspires instructs and influences readers to help them master the modern world Whether it s practical DIY home improvement tips gadgets and digital technology information on the newest cars or the latest breakthroughs in science PM is the ultimate guide to our high tech lifestyle Popular Science ,1983-03 Popular Science gives our readers the information and tools to improve their technology and their world The core belief that Popular Science and our readers share The future is going to be better and science and technology are the driving forces that will help make it better

When somebody should go to the ebook stores, search commencement by shop, shelf by shelf, it is really problematic. This is why we present the book compilations in this website. It will enormously ease you to see guide **Manual M 500 Bobcat** as you such as.

By searching the title, publisher, or authors of guide you in point of fact want, you can discover them rapidly. In the house, workplace, or perhaps in your method can be all best place within net connections. If you aspiration to download and install the Manual M 500 Bobcat, it is extremely simple then, before currently we extend the associate to purchase and create bargains to download and install Manual M 500 Bobcat therefore simple!

<https://staging.conocer.cide.edu/files/publication/HomePages/Fireport%201394%20User%20Guide.pdf>

Table of Contents Manual M 500 Bobcat

1. Understanding the eBook Manual M 500 Bobcat
 - The Rise of Digital Reading Manual M 500 Bobcat
 - Advantages of eBooks Over Traditional Books
2. Identifying Manual M 500 Bobcat
 - Exploring Different Genres
 - Considering Fiction vs. Non-Fiction
 - Determining Your Reading Goals
3. Choosing the Right eBook Platform
 - Popular eBook Platforms
 - Features to Look for in an Manual M 500 Bobcat
 - User-Friendly Interface
4. Exploring eBook Recommendations from Manual M 500 Bobcat
 - Personalized Recommendations
 - Manual M 500 Bobcat User Reviews and Ratings
 - Manual M 500 Bobcat and Bestseller Lists

5. Accessing Manual M 500 Bobcat Free and Paid eBooks
 - Manual M 500 Bobcat Public Domain eBooks
 - Manual M 500 Bobcat eBook Subscription Services
 - Manual M 500 Bobcat Budget-Friendly Options
6. Navigating Manual M 500 Bobcat eBook Formats
 - ePub, PDF, MOBI, and More
 - Manual M 500 Bobcat Compatibility with Devices
 - Manual M 500 Bobcat Enhanced eBook Features
7. Enhancing Your Reading Experience
 - Adjustable Fonts and Text Sizes of Manual M 500 Bobcat
 - Highlighting and Note-Taking Manual M 500 Bobcat
 - Interactive Elements Manual M 500 Bobcat
8. Staying Engaged with Manual M 500 Bobcat
 - Joining Online Reading Communities
 - Participating in Virtual Book Clubs
 - Following Authors and Publishers Manual M 500 Bobcat
9. Balancing eBooks and Physical Books Manual M 500 Bobcat
 - Benefits of a Digital Library
 - Creating a Diverse Reading Collection Manual M 500 Bobcat
10. Overcoming Reading Challenges
 - Dealing with Digital Eye Strain
 - Minimizing Distractions
 - Managing Screen Time
11. Cultivating a Reading Routine Manual M 500 Bobcat
 - Setting Reading Goals Manual M 500 Bobcat
 - Carving Out Dedicated Reading Time
12. Sourcing Reliable Information of Manual M 500 Bobcat
 - Fact-Checking eBook Content of Manual M 500 Bobcat
 - Distinguishing Credible Sources
13. Promoting Lifelong Learning

- Utilizing eBooks for Skill Development
 - Exploring Educational eBooks
14. Embracing eBook Trends
- Integration of Multimedia Elements
 - Interactive and Gamified eBooks

Manual M 500 Bobcat Introduction

In today's digital age, the availability of Manual M 500 Bobcat books and manuals for download has revolutionized the way we access information. Gone are the days of physically flipping through pages and carrying heavy textbooks or manuals. With just a few clicks, we can now access a wealth of knowledge from the comfort of our own homes or on the go. This article will explore the advantages of Manual M 500 Bobcat books and manuals for download, along with some popular platforms that offer these resources. One of the significant advantages of Manual M 500 Bobcat books and manuals for download is the cost-saving aspect. Traditional books and manuals can be costly, especially if you need to purchase several of them for educational or professional purposes. By accessing Manual M 500 Bobcat versions, you eliminate the need to spend money on physical copies. This not only saves you money but also reduces the environmental impact associated with book production and transportation. Furthermore, Manual M 500 Bobcat books and manuals for download are incredibly convenient. With just a computer or smartphone and an internet connection, you can access a vast library of resources on any subject imaginable. Whether you're a student looking for textbooks, a professional seeking industry-specific manuals, or someone interested in self-improvement, these digital resources provide an efficient and accessible means of acquiring knowledge. Moreover, PDF books and manuals offer a range of benefits compared to other digital formats. PDF files are designed to retain their formatting regardless of the device used to open them. This ensures that the content appears exactly as intended by the author, with no loss of formatting or missing graphics. Additionally, PDF files can be easily annotated, bookmarked, and searched for specific terms, making them highly practical for studying or referencing. When it comes to accessing Manual M 500 Bobcat books and manuals, several platforms offer an extensive collection of resources. One such platform is Project Gutenberg, a nonprofit organization that provides over 60,000 free eBooks. These books are primarily in the public domain, meaning they can be freely distributed and downloaded. Project Gutenberg offers a wide range of classic literature, making it an excellent resource for literature enthusiasts. Another popular platform for Manual M 500 Bobcat books and manuals is Open Library. Open Library is an initiative of the Internet Archive, a non-profit organization dedicated to digitizing cultural artifacts and making them accessible to the public. Open Library hosts millions of books, including both public domain works and contemporary titles. It also allows users to borrow digital copies of certain books for a limited

period, similar to a library lending system. Additionally, many universities and educational institutions have their own digital libraries that provide free access to PDF books and manuals. These libraries often offer academic texts, research papers, and technical manuals, making them invaluable resources for students and researchers. Some notable examples include MIT OpenCourseWare, which offers free access to course materials from the Massachusetts Institute of Technology, and the Digital Public Library of America, which provides a vast collection of digitized books and historical documents. In conclusion, Manual M 500 Bobcat books and manuals for download have transformed the way we access information. They provide a cost-effective and convenient means of acquiring knowledge, offering the ability to access a vast library of resources at our fingertips. With platforms like Project Gutenberg, Open Library, and various digital libraries offered by educational institutions, we have access to an ever-expanding collection of books and manuals. Whether for educational, professional, or personal purposes, these digital resources serve as valuable tools for continuous learning and self-improvement. So why not take advantage of the vast world of Manual M 500 Bobcat books and manuals for download and embark on your journey of knowledge?

FAQs About Manual M 500 Bobcat Books

How do I know which eBook platform is the best for me? Finding the best eBook platform depends on your reading preferences and device compatibility. Research different platforms, read user reviews, and explore their features before making a choice. Are free eBooks of good quality? Yes, many reputable platforms offer high-quality free eBooks, including classics and public domain works. However, make sure to verify the source to ensure the eBook credibility. Can I read eBooks without an eReader? Absolutely! Most eBook platforms offer webbased readers or mobile apps that allow you to read eBooks on your computer, tablet, or smartphone. How do I avoid digital eye strain while reading eBooks? To prevent digital eye strain, take regular breaks, adjust the font size and background color, and ensure proper lighting while reading eBooks. What the advantage of interactive eBooks? Interactive eBooks incorporate multimedia elements, quizzes, and activities, enhancing the reader engagement and providing a more immersive learning experience. Manual M 500 Bobcat is one of the best book in our library for free trial. We provide copy of Manual M 500 Bobcat in digital format, so the resources that you find are reliable. There are also many Ebooks of related with Manual M 500 Bobcat. Where to download Manual M 500 Bobcat online for free? Are you looking for Manual M 500 Bobcat PDF? This is definitely going to save you time and cash in something you should think about. If you trying to find then search around for online. Without a doubt there are numerous these available and many of them have the freedom. However without doubt you receive whatever you purchase. An alternate way to get ideas is always to check another Manual M 500 Bobcat. This method for see exactly what may be included and

adopt these ideas to your book. This site will almost certainly help you save time and effort, money and stress. If you are looking for free books then you really should consider finding to assist you try this. Several of Manual M 500 Bobcat are for sale to free while some are payable. If you arent sure if the books you would like to download works with for usage along with your computer, it is possible to download free trials. The free guides make it easy for someone to free access online library for download books to your device. You can get free download on free trial for lots of books categories. Our library is the biggest of these that have literally hundreds of thousands of different products categories represented. You will also see that there are specific sites catered to different product types or categories, brands or niches related with Manual M 500 Bobcat. So depending on what exactly you are searching, you will be able to choose e books to suit your own need. Need to access completely for Campbell Biology Seventh Edition book? Access Ebook without any digging. And by having access to our ebook online or by storing it on your computer, you have convenient answers with Manual M 500 Bobcat To get started finding Manual M 500 Bobcat, you are right to find our website which has a comprehensive collection of books online. Our library is the biggest of these that have literally hundreds of thousands of different products represented. You will also see that there are specific sites catered to different categories or niches related with Manual M 500 Bobcat So depending on what exactly you are searching, you will be able tochoose ebook to suit your own need. Thank you for reading Manual M 500 Bobcat. Maybe you have knowledge that, people have search numerous times for their favorite readings like this Manual M 500 Bobcat, but end up in harmful downloads. Rather than reading a good book with a cup of coffee in the afternoon, instead they juggled with some harmful bugs inside their laptop. Manual M 500 Bobcat is available in our book collection an online access to it is set as public so you can download it instantly. Our digital library spans in multiple locations, allowing you to get the most less latency time to download any of our books like this one. Merely said, Manual M 500 Bobcat is universally compatible with any devices to read.

Find Manual M 500 Bobcat :

fireport 1394 user guide

find radio code honda odyssey

~~financial management theory practice solution manual~~

fire dragon shirmp recipe

fire extinguisher lesson plans

financial detective 2005 case study answers

find recipe for apple pie

finite mathematics tan 9th edition

fire sprinkler design study guide

finding mr darcy high school edition english edition

financial accounting ifrs edition 2 weygandt

financial times guide business development

fire danger level guide and game

finest 2multimeter users manual

financial accounting n4 final exam 2013 memorandum

Manual M 500 Bobcat :

4k wallpaper photos download the best free 4k wallpaper - Jun 01 2022

web the wallpaper magazine semantic based visual information retrieval y word wallpaper downloaded from vpn

bethnalgreenventures com christine ibarra official gazette

word y wallpapers free by zedge - Nov 06 2022

web bing wallpaper includes a collection of beautiful images from around the world that have been featured on the bing homepage not only will you see a new image on your

100 word pictures download free images on unsplash - Sep 04 2022

web download and use 70 000 4k wallpaper stock photos for free thousands of new images every day completely free to use high quality videos and images from pexels

letter y wallpapers top free letter y backgrounds - Jun 13 2023

web a collection of the top 7 letter y wallpapers and backgrounds available for download for free we hope you enjoy our growing collection of hd images to use as a background or

150 word hd wallpapers and backgrounds - Apr 11 2023

web download y word images download for desktop or mobile device make your device cooler and more beautiful

100 letter y pictures wallpapers com - May 12 2023

web download letter y pictures for any device and screen size high quality letter y pictures customize your desktop mobile phone and tablet with our wide variety of cool and

explore the world one photo at a time bing wallpaper - Jul 02 2022

web explore wallpapers phone wallpapers art images pfp 4k yoru valorant wallpapers infinite all resolutions 3840x2160 yoru valorant wallpaper 4k alterhouse 13 47 790

microsoft word wallpapers wallpaper cave - Nov 25 2021

y word wallpaper vpn bethnalgreenventures com - Feb 26 2022

web tons of awesome microsoft word wallpapers to download for free you can also upload and share your favorite microsoft word wallpapers hd wallpapers and background

376 305 word wallpaper images stock photos vectors - Jan 08 2023

web search free word y wallpapers on zedge and personalize your phone to suit you start your search now and free your phone

50 word wallpaper wallpapersafari - Apr 30 2022

web 6 hours ago shop the launch of hill house s sweater filled fall collection a collab for both parents and kids with lalo s paw patrol joint venture and new fall loafers from rothy s

40 yoru valorant hd wallpapers and backgrounds - Mar 30 2022

web a collection of the top 60 word wallpapers and backgrounds available for download for free we hope you enjoy our growing collection of hd images to use as a background or

yoru valorant wallpapers wallpaper cave - Oct 25 2021

word wallpapers top free word backgrounds wallpaperaccess - Dec 27 2021

word wallpapers wallpaper cave - Mar 10 2023

web find word wallpaper stock images in hd and millions of other royalty free stock photos illustrations and vectors in the shutterstock collection thousands of new high quality

y word images download 750x1334 wallpaper teahub io - Feb 09 2023

web download and use 70 000 words wallpaper stock photos for free thousands of new images every day completely free to use high quality videos and images from pexels

100 letter y wallpapers wallpapers com - Aug 15 2023

web y is for yolo embrace every moment with vibrant letter y wallpapers for your mobile or computer screens bold bright and beautiful these wallpapers will energize your

explore the world one photo at a time bing wallpaper - Aug 03 2022

web explore a curated collection of word wallpaper images for your desktop mobile and tablet screens we ve gathered more than 5 million images uploaded by our users and sorted

y words images free download on freepik - Jul 14 2023

web find download free graphic resources for y words 92 000 vectors stock photos psd files free for commercial use high

quality images you can find download the

270 word hd wallpapers and backgrounds - Oct 05 2022

web download the bing wallpaper app run bingwallpaper exe click install now click finish if prompted from your browser add the extension explore the bing wallpaper app in the

words wallpaper photos download the best free words - Dec 07 2022

web download the perfect word pictures find over 100 of the best free word images free for commercial use no attribution required copyright free

product releases this week glossier rothy s youth to the - Jan 28 2022

web tons of awesome yoru valorant wallpapers to download for free you can also upload and share your favorite yoru valorant wallpapers hd wallpapers and background images

business and marketing cases nieuwenhuizen cecile - Jun 01 2022

web selecciona el departamento que quieras buscar

business and marketing cases nieuwenhuizen cecile - Jul 14 2023

web mar 1 2012 business and marketing cases nieuwenhuizen cecile on amazon com free shipping on qualifying offers business and marketing cases

business and marketing cases amazon com au books - Apr 11 2023

web jan 1 2011 cecile nieuwenhuizen is the head of the department of business management at the university of johannesburg she has presented papers at national and international conferences and written several books and journal articles on entrepreneurship and business management

business and marketing cases waterstones - Feb 09 2023

web jan 1 2011 buy business and marketing cases from waterstones today click and collect from your local waterstones or get free uk delivery on orders over 25

download solutions title business and marketing cases author cecile - Apr 30 2022

web title business and marketing cases author cecile essentials of marketing aug 05 2020 essentials of marketing a marketing strategy planning approach is about marketing and marketing strategy planning at its essence marketing strategy planning is about figuring out how to do a superior job of satisfying customers

business and marketing cases textbook trader - Sep 04 2022

web business and marketing cases author cecile nieuwenhuizen publisher juta legal and academic publishers published year 2011 edition first barcode number 9780702189098 university unisa study year 2021

cecile nieuwenhuizen google scholar - Aug 03 2022

web cited by cecile nieuwenhuizen managing tourism in south africa r george t barben r chivaka mj van vuuren b knott s lehmann managing tourism in south africa entrepreneurship a south african perspective pretoria van schaik the internationalising entrepreneurship education and training conference

business and marketing cases amazon co uk nieuwenhuizen cecile - Jun 13 2023

web buy business and marketing cases by nieuwenhuizen cecile isbn 9780702189098 from amazon s book store everyday low prices and free delivery on eligible orders

business and marketing cases nieuwenhuizen cecile - Oct 05 2022

web hello sign in account lists returns orders cart

100 case study examples for sales and marketing paperflite - Jan 28 2022

web the best thing about this case study is that chargebee incorporated testimonials from different departments and individuals the case study uses crisp headlines and explains the challenge in detail before jumping the gun to mention the results 2 aspire systems provides data integration services aspire systems

business and marketing cases by nieuwenhuizen cecile - Dec 07 2022

web abebooks com business and marketing cases light shelf wear on the wraps book is neat and clean excellent binding sk

business and marketing cases nieuwenhuizen cecile editor 1 ratings by goodreads isbn 10 070218909x isbn 13

9780702189098 published by juta

title business and marketing cases author cecile jetpack theaoi - Mar 30 2022

web title business and marketing cases author cecile eliminating marketing from the title and the organization entirely within its global business units rather than by this author join us business case studies organizational behavior case study strategy competitive strategies case studies philip kotler born may 27 1931 is an american marketing author

title business and marketing cases author cecile - Feb 26 2022

web may 7th 2018 a high level summary of the contents of the business case marketing solutions title business case template author listing a z icsa may 13th 2018 this official study text for the icsa applied business law module guides the reader author cecile gillard charity marketing is well established

business and marketing cases amazon com br - Jul 02 2022

web compre online business and marketing cases de nieuwenhuizen cecile na amazon frete grÁtis em milhares de produtos com o amazon prime encontre diversos livros escritos por nieuwenhuizen cecile com ótimos preços

9780702189098 business and marketing cases by cecile - Nov 06 2022

web business and marketing cases by nieuwenhuizen cecile editor juta academic 2012 first edition paperback near fine light shelf wear on the wraps book is neat and clean excellent binding

business and marketing cases cecile nieuwenhuizen editor - Aug 15 2023

web description 148 pages illustrations 24 cm details subject s business marketing case studies browse related name nieuwenhuizen c cecile browse bibliographic references includes bibliographical references other title s business marketing cases isbn 9780702189098 070218909x oclc 778355999 other standard number

business and marketing cases by cecile nieuwenhuizen 2012 - Mar 10 2023

web find many great new used options and get the best deals for business and marketing cases by cecile nieuwenhuizen 2012 trade paperback at the best online prices at ebay free shipping for many products

business and marketing cases 9780702189098 - May 12 2023

web business and marketing cases is written by cecile nieuwenhuizen and published by juta and company the digital and etextbook isbns for business and marketing cases are 9780702195600 070219560x and the print isbns are 9780702189098 070218909x

best selling case studies in business management insurance - Dec 27 2021

web anandi resorts happy land construction project risk management and earned value analysis details oper159 available china s midea group s intelligent manufacturing strategy for creating a new human machine ecosystem details oper158 available oppo superfactory

business and marketing cases nieuwenhuizen cecile - Jan 08 2023

web mar 1 2012 business and marketing cases nieuwenhuizen cecile 9780702189098 books amazon ca

the everglades are forever researchgate - Apr 30 2022

web apr 1 2005 download citation the everglades are forever the six stormwater treatment areas stas that would cover the 17 000 ha 42 000 ac area were developed by the burns mcdonnell kansas city

everglades forever restoring america s great wetland - Jul 02 2022

web in everglades forever trish marx and cindy karp provide an exciting introduction to america s great wetland like the students in ms stone s class children everywhere will realize the difference they can make in protecting and rescuing one of the grandest natural areas of the world

everglades florida map location facts britannica - Dec 07 2022

web sep 10 2023 everglades florida everglades subtropical saw grass marsh region a river of grass up to 50 miles 80 km wide but generally less than 1 foot 0 3 metre deep covering more than 4 300 square miles 11 100 square km of southern florida u s through it water moves slowly southward to mangrove swamps bordering the gulf of

everglades forever act efa florida department of - Jan 08 2023

web sep 11 2023 the everglades forever act requires the state of florida to restore and protect the everglades ecological

system authorize the district to proceed expeditiously with implementation of the everglades program reduce excessive levels of phosphorus

are the everglades forever 110 words bartleby - Jan 28 2022

web are the everglades forever will the everglades always look the same i think that the everglades will not look the same in the future because humans might want to get rid of it and built something instead in the area

florida pays python hunters to clear the everglades 10 years - Aug 03 2022

web 12 hours ago miami monsters slither throughout the crooked mangroves and serrated sawgrass of florida s everglades 20 feet long and up to 200 pounds of sinewy muscle built by devouring everything in

are the everglades forever flashcards quizlet - Jun 01 2022

web study with quizlet and memorize flashcards containing terms like what are the everglades one of the problems explained in the passage is that the everglades lose some of their water to the coast due to draining

everglades forever act wikipedia - Apr 11 2023

web the everglades forever act is a florida law passed in 1994 designed to restore the everglades the law recognized the everglades ecological system is endangered as a result of adverse changes in water quality and in the quantity distribution and timing of flows and therefore must be restored and protected

are the everglades forever mr mcclanahan s class - Feb 26 2022

web the everglades a famous region in southern florida are a wetland ecosystem home to tropical and marshland plant and animal species the everglades are a protected national park but that doesn t mean that they re immune to harm and guess what is one of the most recent and dangerous threats to the ecosystem

everglades wikipedia - Aug 15 2023

web the everglades forever act introduced by governor lawton chiles in 1994 was an attempt to legislate the lowering of phosphorus in everglades waterways the act put the south florida water management district sfwmd and the florida department of environmental protection dep in charge of testing and enforcing low phosphorus

readworks award winning edtech nonprofit organization - Jul 14 2023

web the woman who saved the everglades words 529 the everglades is a large region of wetlands in south florida today the everglades is a protected region and is viewed as a beautiful and important ecosystem but in the 19th century people saw the everglades as a useless bug filled swamp

are the everglades forever 1180 eccles science - May 12 2023

web why did it have to be snakes it s a famous scene from the movie raiders of the lost ark in which the main character is confronted by his worst fear it s just a movie but the nightmarish slithering mass is becoming something of a reality in the

florida everglades

the everglades forever more a southern story of restoration - Feb 09 2023

web sep 4 2023 the everglades forever more the story of one of history s most ambitious restoration projects cypress trees at sunset in the everglades g gardner npsphoto augusta dwyer wetlands will be discussed at the global landscapes forum new york 2019 learn more about how to join here

everglades forever a photographic journey through the river of - Sep 04 2022

web jul 15 2020 everglades forever is a project to introduce visitors to the greater everglades from everglades national park to big cypress preserve to the headwaters in the kissimmee basin in new meaningful ways that will increase their engagement with this unique eco system and encourage appreciation and conservation

restoration of the everglades wikipedia - Jun 13 2023

web background compartments established by c sf projects that separated the historic everglades into water conservation areas and the everglades agricultural area one fourth of the original everglades is preserved in everglades national park the everglades are part of a very large watershed that begins in the vicinity of orlando

are the everglades forever nearpod - Mar 10 2023

web is becoming something of a reality in the florida everglades the everglades a famous region in southern florida are a wetland ecosystem home to tropical and marshland plant and animal species the everglades are a protected national park but that doesn t mean that they re immune to harm

desantis undaunted by florida storms shrugs off climate - Oct 05 2022

web sep 8 2023 desantis s narrow but intense focus on everglades restoration felt very hopeful out of the gate said eve samples executive director of friends of the everglades a nonprofit advocacy group

are the everglades forever summary en general - Dec 27 2021

web the everglades forever act requires the state of florida to restore and protect the everglades ecological system pursue comprehensive and innovative solutions to the issues of water quality water quantity hydroperiod and invasions of non native species that affect the everglades ecosystem

everglades national park u s national park service - Nov 06 2022

web aug 16 2023 everglades national park protects an unparalleled landscape that provides important habitat for numerous rare and endangered species like the manatee american crocodile and the elusive florida panther an international treasure as well a world heritage site international biosphere reserve a wetland of international importance

teacher s guide everglades forever lee low books - Mar 30 2022

web illustrations by cindy karp synopsis under the direction of veteran teacher jacquelyn jackie stone a fifth grade class at

avocado elementary school in homestead florida studies the nearby everglades the book follows the students as they learn about this endangered and very unusual wetland