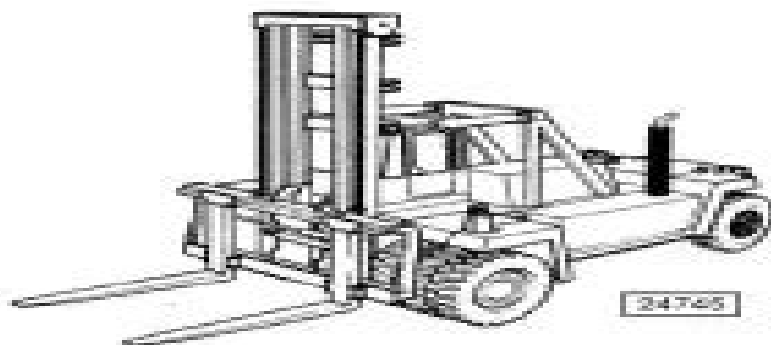


## SPARE PARTS CATALOGUE RESERVDIELSKATALOG

DC 28-52



**NOTE!** Always check the machine card and specifications for your fork lift truck before using this spare parts catalogue.

**OBS!** Kontrollera alltid truckens maskinkort och ev. maskinspecifikationer innan reservdelskatalogen används.

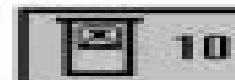
Machine Card, how to read and use it  
**NOTE!** Important that you read this!  
Maskinkort, hur det läses och används  
**OBS!** Viktigt att Du läser detta!

Catalogue Instructions

**00**

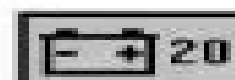
Kataloganvisningar

Truck Body and Cab



Chassi och hytt

Electrical System



Elsystem

Engine and Exhaust System



Motor och avgassystem

Power Transmission



Kraftöverföring, bromsar

Compressed Air System



Tryckluftssystem

Steering System



Styrsystem

Hydraulic System



Hydraulsystem

Lifting Mast, Carriage and Forks



Liftstativ, vagn och gafflar

Miscellaneous Equipment



Övrig utrustning

Numerical Register

**99**

Nummerregister

# Kalmar Forklift Manual Dcd 28

**RC Schank**



**Kalmar Forklift Manual Dcd 28:**

The Enthralling World of E-book Books: A Comprehensive Guide Unveiling the Advantages of Kindle Books: A World of Convenience and Versatility E-book books, with their inherent mobility and simplicity of access, have freed readers from the constraints of hardcopy books. Gone are the days of carrying bulky novels or meticulously searching for particular titles in bookstores. Kindle devices, stylish and portable, effortlessly store an wide library of books, allowing readers to immerse in their favorite reads anytime, everywhere. Whether commuting on a bustling train, relaxing on a sun-kissed beach, or simply cozying up in bed, Kindle books provide an unparalleled level of convenience. A Literary Universe Unfolded: Discovering the Vast Array of E-book Kalmar Forklift Manual Dcd 28 Kalmar Forklift Manual Dcd 28 The E-book Store, a digital treasure trove of literary gems, boasts an extensive collection of books spanning diverse genres, catering to every readers preference and preference. From gripping fiction and thought-provoking non-fiction to classic classics and contemporary bestsellers, the Kindle Shop offers an unparalleled variety of titles to explore. Whether looking for escape through immersive tales of imagination and exploration, delving into the depths of historical narratives, or expanding ones knowledge with insightful works of scientific and philosophical, the E-book Store provides a gateway to a literary universe brimming with limitless possibilities. A Revolutionary Force in the Bookish Landscape: The Lasting Influence of E-book Books Kalmar Forklift Manual Dcd 28 The advent of Kindle books has unquestionably reshaped the literary scene, introducing a paradigm shift in the way books are published, disseminated, and read. Traditional publishing houses have embraced the digital revolution, adapting their strategies to accommodate the growing demand for e-books. This has led to a rise in the accessibility of Kindle titles, ensuring that readers have access to a wide array of bookish works at their fingers. Moreover, E-book books have equalized access to books, breaking down geographical limits and offering readers worldwide with equal opportunities to engage with the written word. Regardless of their location or socioeconomic background, individuals can now immerse themselves in the intriguing world of literature, fostering a global community of readers. Conclusion: Embracing the Kindle Experience Kalmar Forklift Manual Dcd 28 Kindle books Kalmar Forklift Manual Dcd 28, with their inherent ease, versatility, and wide array of titles, have certainly transformed the way we encounter literature. They offer readers the liberty to discover the boundless realm of written expression, anytime, everywhere. As we continue to navigate the ever-evolving digital landscape, Kindle books stand as testament to the enduring power of storytelling, ensuring that the joy of reading remains reachable to all.

<https://staging.conocer.cide.edu/results/virtual-library/HomePages/Kasap%20Optoelectronics%20Photonics%20Solution%20Manual.pdf>

## **Table of Contents Kalmar Forklift Manual Dcd 28**

1. Understanding the eBook Kalmar Forklift Manual Dcd 28
  - The Rise of Digital Reading Kalmar Forklift Manual Dcd 28
  - Advantages of eBooks Over Traditional Books
2. Identifying Kalmar Forklift Manual Dcd 28
  - Exploring Different Genres
  - Considering Fiction vs. Non-Fiction
  - Determining Your Reading Goals
3. Choosing the Right eBook Platform
  - Popular eBook Platforms
  - Features to Look for in an Kalmar Forklift Manual Dcd 28
  - User-Friendly Interface
4. Exploring eBook Recommendations from Kalmar Forklift Manual Dcd 28
  - Personalized Recommendations
  - Kalmar Forklift Manual Dcd 28 User Reviews and Ratings
  - Kalmar Forklift Manual Dcd 28 and Bestseller Lists
5. Accessing Kalmar Forklift Manual Dcd 28 Free and Paid eBooks
  - Kalmar Forklift Manual Dcd 28 Public Domain eBooks
  - Kalmar Forklift Manual Dcd 28 eBook Subscription Services
  - Kalmar Forklift Manual Dcd 28 Budget-Friendly Options
6. Navigating Kalmar Forklift Manual Dcd 28 eBook Formats
  - ePub, PDF, MOBI, and More
  - Kalmar Forklift Manual Dcd 28 Compatibility with Devices
  - Kalmar Forklift Manual Dcd 28 Enhanced eBook Features
7. Enhancing Your Reading Experience
  - Adjustable Fonts and Text Sizes of Kalmar Forklift Manual Dcd 28
  - Highlighting and Note-Taking Kalmar Forklift Manual Dcd 28
  - Interactive Elements Kalmar Forklift Manual Dcd 28
8. Staying Engaged with Kalmar Forklift Manual Dcd 28

- Joining Online Reading Communities
  - Participating in Virtual Book Clubs
  - Following Authors and Publishers Kalmar Forklift Manual Dcd 28
9. Balancing eBooks and Physical Books Kalmar Forklift Manual Dcd 28
- Benefits of a Digital Library
  - Creating a Diverse Reading Collection Kalmar Forklift Manual Dcd 28
10. Overcoming Reading Challenges
- Dealing with Digital Eye Strain
  - Minimizing Distractions
  - Managing Screen Time
11. Cultivating a Reading Routine Kalmar Forklift Manual Dcd 28
- Setting Reading Goals Kalmar Forklift Manual Dcd 28
  - Carving Out Dedicated Reading Time
12. Sourcing Reliable Information of Kalmar Forklift Manual Dcd 28
- Fact-Checking eBook Content of Kalmar Forklift Manual Dcd 28
  - Distinguishing Credible Sources
13. Promoting Lifelong Learning
- Utilizing eBooks for Skill Development
  - Exploring Educational eBooks
14. Embracing eBook Trends
- Integration of Multimedia Elements
  - Interactive and Gamified eBooks

### **Kalmar Forklift Manual Dcd 28 Introduction**

Kalmar Forklift Manual Dcd 28 Offers over 60,000 free eBooks, including many classics that are in the public domain. Open Library: Provides access to over 1 million free eBooks, including classic literature and contemporary works. Kalmar Forklift Manual Dcd 28 Offers a vast collection of books, some of which are available for free as PDF downloads, particularly older books in the public domain. Kalmar Forklift Manual Dcd 28 : This website hosts a vast collection of scientific articles, books, and textbooks. While it operates in a legal gray area due to copyright issues, its a popular resource for finding various publications. Internet Archive for Kalmar Forklift Manual Dcd 28 : Has an extensive collection of digital content, including

books, articles, videos, and more. It has a massive library of free downloadable books. Free-eBooks Kalmar Forklift Manual Dcd 28 Offers a diverse range of free eBooks across various genres. Kalmar Forklift Manual Dcd 28 Focuses mainly on educational books, textbooks, and business books. It offers free PDF downloads for educational purposes. Kalmar Forklift Manual Dcd 28 Provides a large selection of free eBooks in different genres, which are available for download in various formats, including PDF. Finding specific Kalmar Forklift Manual Dcd 28, especially related to Kalmar Forklift Manual Dcd 28, might be challenging as theyre often artistic creations rather than practical blueprints. However, you can explore the following steps to search for or create your own Online Searches: Look for websites, forums, or blogs dedicated to Kalmar Forklift Manual Dcd 28, Sometimes enthusiasts share their designs or concepts in PDF format. Books and Magazines Some Kalmar Forklift Manual Dcd 28 books or magazines might include. Look for these in online stores or libraries. Remember that while Kalmar Forklift Manual Dcd 28, sharing copyrighted material without permission is not legal. Always ensure youre either creating your own or obtaining them from legitimate sources that allow sharing and downloading. Library Check if your local library offers eBook lending services. Many libraries have digital catalogs where you can borrow Kalmar Forklift Manual Dcd 28 eBooks for free, including popular titles. Online Retailers: Websites like Amazon, Google Books, or Apple Books often sell eBooks. Sometimes, authors or publishers offer promotions or free periods for certain books. Authors Website Occasionally, authors provide excerpts or short stories for free on their websites. While this might not be the Kalmar Forklift Manual Dcd 28 full book , it can give you a taste of the authors writing style. Subscription Services Platforms like Kindle Unlimited or Scribd offer subscription-based access to a wide range of Kalmar Forklift Manual Dcd 28 eBooks, including some popular titles.

## **FAQs About Kalmar Forklift Manual Dcd 28 Books**

**What is a Kalmar Forklift Manual Dcd 28 PDF?** A PDF (Portable Document Format) is a file format developed by Adobe that preserves the layout and formatting of a document, regardless of the software, hardware, or operating system used to view or print it. **How do I create a Kalmar Forklift Manual Dcd 28 PDF?** There are several ways to create a PDF: Use software like Adobe Acrobat, Microsoft Word, or Google Docs, which often have built-in PDF creation tools. Print to PDF: Many applications and operating systems have a "Print to PDF" option that allows you to save a document as a PDF file instead of printing it on paper. Online converters: There are various online tools that can convert different file types to PDF. **How do I edit a Kalmar Forklift Manual Dcd 28 PDF?** Editing a PDF can be done with software like Adobe Acrobat, which allows direct editing of text, images, and other elements within the PDF. Some free tools, like PDFescape or Smallpdf, also offer basic editing capabilities. **How do I convert a Kalmar Forklift Manual Dcd 28 PDF to another file format?**

There are multiple ways to convert a PDF to another format: Use online converters like Smallpdf, Zamzar, or Adobe Acrobats export feature to convert PDFs to formats like Word, Excel, JPEG, etc. Software like Adobe Acrobat, Microsoft Word, or other PDF editors may have options to export or save PDFs in different formats. **How do I password-protect a Kalmar Forklift Manual Dcd 28 PDF?** Most PDF editing software allows you to add password protection. In Adobe Acrobat, for instance, you can go to "File" -> "Properties" -> "Security" to set a password to restrict access or editing capabilities. Are there any free alternatives to Adobe Acrobat for working with PDFs? Yes, there are many free alternatives for working with PDFs, such as: LibreOffice: Offers PDF editing features. PDFsam: Allows splitting, merging, and editing PDFs. Foxit Reader: Provides basic PDF viewing and editing capabilities. How do I compress a PDF file? You can use online tools like Smallpdf, ILovePDF, or desktop software like Adobe Acrobat to compress PDF files without significant quality loss. Compression reduces the file size, making it easier to share and download. Can I fill out forms in a PDF file? Yes, most PDF viewers/editors like Adobe Acrobat, Preview (on Mac), or various online tools allow you to fill out forms in PDF files by selecting text fields and entering information. Are there any restrictions when working with PDFs? Some PDFs might have restrictions set by their creator, such as password protection, editing restrictions, or print restrictions. Breaking these restrictions might require specific software or tools, which may or may not be legal depending on the circumstances and local laws.

**Find Kalmar Forklift Manual Dcd 28 :**

~~kasap-optoelectronics-photonics-solution-manual~~

**kamico assessment 4english answer key**

kaeser ows 200 manual

**kawasaki 22 hp repair manual**

**k2 kreg jig manual**

karyotypes lab chapter 1 answer key

**k to 12 tle curriculum guide**

jw study guide

**kango breaker manual**

*kansas conservation program manual*

k to 10 curriculum guide mathematics in kindergarten december 18 2011

~~kaeser s 460 service manual~~

**kaplan advanced mathematics for engineers**

karma girl bigtime



[kaplan property and casualty insurance manual](#)

### **Kalmar Forklift Manual Dcd 28 :**

#### **blade runner 2049 wikipedia** - Apr 03 2023

web plot in 2049 30 years after the events of blade runner bioengineered humans known as replicants are slaves k short for serial number kd6 3 7 a nexus 9 replicant works for the los angeles police department lapd as a blade runner an officer who hunts and retires kills rogue replicants

#### **blade runner wikipedia** - Aug 07 2023

web blade runner is a 1982 science fiction film directed by ridley scott and written by hampton fancher and david peoples 7 8 starring harrison ford rutger hauer sean young and edward james olmos it is an adaptation of philip k dick s 1968 novel do androids dream of electric sheep

#### **blade runner the final cut yayını online izleyin justwatch** - May 24 2022

web blade runner the final cut bugün justwatch günlük streaming sıralamasında 5468 numarada yer alıyor film listede düne göre 35 basamak düştü türkiye popüler filmler sıralamasında taylor swift İtibar stadyum turu bir alt

#### **blade runner download** - Nov 17 2021

web blade runner is an adventure game based on the popular harrison ford film of the same title originally released by westwood studios on four cds the new downloadable version weighs in at a meager 1 3gb the new version remains a genuine classic that new gamers can experience

#### **blade runner 2049 bıçak sırtı netflix** - Sep 08 2023

web blade runner 2049 bıçak sırtı 2017 yetişkinlik düzeyi 18 2 sa 41 dk bilim kurgu gizli bir mezarda bulunanlar bir endüstri devinin ilgisini çeker kayıp efsaneyi bulması için lapd de görev yapan memur k gönderilir başroldekiler ryan gosling harrison ford ana de armas binlerce seçenek sınırsız eğlence ŞİMDİ katil

#### **blade runner franchise imdb** - Aug 27 2022

web in 2022 a powerful weapon causes a global blackout that has massive implications all over the world director shin ichirô watanabe stars jovan jackson luci christian bryson baugus edward james olmos votes 9 479 animated short movie 3 blade runner black lotus 2021 2022 tv 14 animation action drama 6 3 rate

#### **blade runner filmlerini unutulmaz kılan 10 etkileyici detay** - Dec 19 2021

web aug 12 2020 blade runner filmlerini unutulmaz kılan 10 etkileyici detay philip k dick in 1968 yılında yayınlanan ünlü do androids dream of electric sheep romanından uyarlanan kült film blade runner yoluna 2017 yılında vizyona giren blade runner 2049 ile devam etmişti bilim kurgu hayranlarının gönlünde taht kuran ilk film vizyon

[blade runner 2049 izle hdfilmcehennemi film izle hd film izle](#) - Apr 22 2022

web blade runner 2049 filminin bilgileri İlk filmdeki olaylardan 30 yıl sonra yeni blade runner los angeles polisi k ryan gosling toplumun kalanını alt üst etme potansiyeline sahip uzun süredir gizli kalan bir sırrı su yüzüne çıkarır k nin bu keşfi onu 30 yıldır kayıp olan los angeles polis departmanı eski blade runnerı

[blade runner 2049 bıçak sırtı filmi konusu nedir hürriyet](#) - Feb 01 2023

web oct 8 2020 blade runner 2049 bıçak sırtı filmi bu akşam televizyon ekranlarında izleyici karşısına çıkacak filmin oyuncularında dave bautista ryan gosling ana de armas jared leto

**blade runner 2049 bıçak sırtı filminin oyuncularını beyazperde** - Mar 02 2023

web blade runner 2049 bıçak sırtı filmin kadrosu ve ekibin tamamını yönetmen denis villeneuve oyuncular ryan gosling harrison ford ana de armas jared leto

**blade runner 1982 imdb** - Jul 06 2023

web jun 25 1982 blade runner 1982 r 1h 57m imdb rating 8 1 10 805k your rating rate popularity 370 12 play trailer 1 02 7 videos 99 photos action drama sci fi a blade runner must pursue and terminate four replicants who stole a ship in space and have returned to earth to find their creator director ridley scott writers hampton fancher

[blade runner franchise wikipedia](#) - Nov 29 2022

web blade runner is an american neo noir science fiction media franchise originating from the 1968 novel do androids dream of electric sheep by philip k dick about the character of rick deckard the book has been adapted into several media including films comics a stage play and a radio serial

**blade runner 1982 official trailer ridley scott harrison ford** - Feb 18 2022

web jan 27 2014 rotten tomatoes classic trailers 1 57m subscribers subscribe subscribed 1 2 3 4 5 6 7 8 9 0 1 2 3 4 5 6 7 8 9 0 1 2 3 4 5 6 7 8 9 1 2 3 4

[büyük bir evrenin yapı taşı blade runner bilimkurgu kulübü](#) - Jan 20 2022

web may 8 2021 1979 yapımı ilk alien filmi 2122 yılında geçerken blade runner 2019 dadır her iki filmde de şirketler ön plandadır alien da weylend yutani öne çıkarken blade runner da tyrell şirketini başrolde görebiliriz ancak 1999 yılında yayımlanan ve alien 20 yıl Özel dvd sinde görülen bir bilgi bu iki şirketin ortak

**blade runner 2049 bıçak sırtı sinemalar com** - Sep 27 2022

web blade runner 2049 bıçak sırtı film konusu İlk filmin olaylarının üstünden 30 yıldan fazla zaman geçmişken los angeles polis departmanı nda görev yapan memur k ryan gosling insanlığı büyük kargaşaya sürükleyecek hatta sonunu

[blade runner 2049 2017 imdb](#) - Oct 09 2023

web oct 6 2017 young blade runner k s discovery of a long buried secret leads him to track down former blade runner rick

deckard who s been missing for thirty years director denis villeneuve writers hampton fancher michael green philip k dick stars harrison ford ryan gosling ana de armas see production box office company info watch on max

**bıçak sırtı wikipedi** - May 04 2023

web bıçak sırtı İngilizce blade runner ridley scott tarafından yönetilen 1982 tarihli abd yapımı bilimkurgu filmidir başrollerde harrison ford rutger hauer ve sean young yer almıştır philip k dick in android ler elektrikli koyun düşler mi adlı romanını temel alan senaryoyu hampton fancher ve david peoples yazmıştır

**blade runner 2049 bıçak sırtı beyazperde** - Jun 05 2023

web oct 6 2017 beyazperde 4 0 arkadaşlarım puanım İzlemek İstiyorum eleştiri yaz Özet blade runner 2049 da ilk filmdeki hikayenin üzerinden geçen 30 yıl sonrası anlatılmaktadır los angeles polis departmanı nda görev yapan memur k toplum yaşamını kaosa sokacak olan ve uzun zamandır saklı kalan bir sırrı açığa çıkartır

**blade runner on gog com** - Mar 22 2022

web in the game you take the role of detective ray mccoys armed with your investigative skills and tools of the blade runner trade you must roam the dark rainy streets of los angeles a d 2019 in pursuit of androids gone rogue searching for those so called replicants is a tough nut to crack because they look and behave almost exactly like real

**bıçak sırtı blade runner izle filmmax** - Jun 24 2022

web dram gerilim yapım yılı 1982 süre 1 saat 57 dakika İzlenme 865 orijinal İsim blade runner uzaydaki bir madende çalışan androidler kaçıp dünyada rehine alıyorlar rick deckard harrison ford ın işi onları bulup yok etmektir kaçanları ararken anroidlerle insanları birbirinden ayırmak zorundadır

**bıçak sırtı 2049 blade runner 2049 izle filmmax** - Jul 26 2022

web süre 2 saat 44 dakika İzlenme 13 394 orijinal İsim blade runner 2049 2019 yılında geçen ilk filmde tyrell gibi devasa üretici firmalar replikant isimli dış görünüm olarak insan türünden ayırt edilemeyen robotlar üretiyorlardı dünya dışı kolonilerin tehlikeli ve illegal işlerinin halledilmesi için kullanılan bu

**bıçak sırtı blade runner beyazperde com** - Oct 29 2022

web Özet bıçak sırtı çekildiği yıldan çok uzak bir dönemde 2019 yılında dünyanın artık distopik bir yaşam alanı haline geldiği bir dönemde geçer tyrell gibi devasa üretici firmalar replikant isimli dış görünüm olarak insan türünden ayırt edilemeyen robotlar üretmektedirler

**blade runner rotten tomatoes** - Dec 31 2022

web blade runner works on every level dark intelligent visually breathtaking as well as having great performances blade runner is a sci fi masterpiece that i would implore you to watch if you haven t

**quiz worksheet the structure of the atmosphere study com** - Jan 19 2022

web a planet retains an atmosphere when the gravity is great and the temperature of the atmosphere is low the atmosphere of earth is composed of nitrogen 78 oxygen

**layers of earth s atmosphere center for science** - Mar 01 2023

web atmosphere one of the main components of earth s interdependent physical systems is the atmosphere an atmosphere is made of the layers of gases surrounding a planet or

chapter17 the atmosphere structure and temperature - Aug 26 2022

web jan 26 2015 height and structure of the atmosphere 17 1 atmosphere characteristics temperature changes the atmosphere can be divided vertically into four layers

**earth s atmosphere article khan academy** - Apr 02 2023

web earth s atmosphere is composed of a series of layers each with its own specific traits moving upward from ground level these layers are called the troposphere stratosphere

*composition structure of the atmosphere ncert upsc* - Dec 18 2021

web jul 10 2023 99 of clean and dry air is made up of nitrogen and oxygen and remaining gases like inert and constitute contribute only about 1 of the atmosphere besides

**prentice hall earth science chapter 17 the atmosphere** - Mar 21 2022

web there are five layers in the structure of the atmosphere depending upon temperature these layers are troposphere stratosphere mesosphere thermosphere exosphere

chapter 16 the atmosphere composition structure and - Nov 28 2022

web atmospheric structure part 1 the troposphere and tropopause and atmospheric structure part 2 the stratosphere and beyond and the functional layers of the

16 questions about earth s atmosphere and weather answered - Sep 26 2022

web chapter17 the atmosphere structure and temperature section 1 atmosphere characteristics key concepts how does weather differ from climate why do seasonal

**3 1 atmospheric composition temperature and function** - Jun 04 2023

web feb 19 2022 the vertical pattern of temperature consists of a series of layers in which temperature alternately increases and decreases with a relatively thin transitional zone

*atmosphere education national geographic society* - Jan 31 2023

web composition and structure of the atmosphere atmosphere refers to the layer of gases that surrounds earth and is held in place by earth s gravitational attraction gravity the

**lab 03 atmospheric structure and pressure systems** - Oct 28 2022

web what is air made of air is a mixture of gases that circle earth kept in place by gravity air makes up earth s atmosphere the air we breathe is 78 percent nitrogen gas 21

[the atmosphere structure and temperature ppt slideshare](#) - Jul 25 2022

web answer the significance of atmosphere can be summarised as follows it maintains the temperature of the earth by trapping the heat of solar radiation it provides us important

**temperature structure of the atmosphere encyclopedia of** - Apr 21 2022

web prentice hall earth science chapter 17 the atmosphere structure and temperature practice test questions chapter exam study com science courses prentice hall

[atmosphere national geographic society](#) - May 23 2022

web the atmosphere is then warmed at the surface by latent and sensible heat flows so it makes sense that in general air farther from the earth s surface will be cooler we call

[layers of the atmosphere structure of earth s](#) - May 03 2023

web earth s atmosphere consists of five distinct layers that are distinguished by temperature gradients the layers alternate between having temperatures that increase or decrease

**chapter 17 atmosphere structure temperature flashcards** - Oct 08 2023

web the layer of the atmosphere immediately above the troposphere characterized by increasing temperatures with height due to the concentration of ozone mesosphere the layer of the atmosphere immediately above the stratosphere and characterized by

[earth science chapter 17 the atmosphere structure and](#) - Sep 07 2023

web troposphere is the lowermost layer of the atmosphere it is generally characterized by a decrease in temperature with height stratosphere is the layer of atmosphere

[structure of atmosphere ncert notes for geography byju s](#) - Feb 17 2022

web additional learning to learn more about earth s atmosphere review the accompanying lesson called the structure of the atmosphere this lesson covers the following

*structure of atmosphere geography ncert notes for upsc* - Nov 16 2021

*composition and structure of the atmosphere* - Dec 30 2022

web the atmosphere composition structure and temperature all with video answers educators chapter questions 03 25 problem 1 determine which statements refer to

*composition and structure of the atmosphere knowledgeboat* - Jun 23 2022

web oct 19 2023 the atmosphere is divided into five different layers based on temperature the layer closest to earth's surface is the troposphere reaching from about seven and

*3 2 atmospheric structure geosciences libretexts* - Aug 06 2023

web feb 19 2022 looking back at atmospheric structure pageindex 1 explain what normally happens to air temperature as one moves upward through the troposphere

**3 1 structure and composition of the atmosphere** - Jul 05 2023

web jan 21 2023 structure of the atmosphere the main divisions of the atmosphere are defined by the elevations at which the sign of the temperature gradient changes the

**apprendre les animaux de la ferme apprendre le français** - May 12 2023

web sep 29 2016 learn in this video all the vocabulary of farm animals in english duck hen rooster turkey chick goat sheep goat pig cow bull horse donkey rabbit

*animaux de la ferme imagier à imprimer toupty com* - Mar 30 2022

web mar 26 2021 comptine animaux de la ferme compilation abonnez vous c est gratuit goo gl bzgnjx publicité itunes cd 1 apple co 2e3yqbv cd 2

*les animaux de la ferme en français fle flemotion* - Mar 10 2023

web a l école on apprend à découvrir la vie de la ferme et les animaux qui la composent la chèvre l oie ou encore la vache sont de véritables sujets d observation pour nos petits

les contes avec les animaux de la ferme storyplay r - Jul 14 2023

web les contes avec les animaux de la ferme les contes et histoires avec des animaux de la ferme sont des classiques des histoires pour enfants le loup le mouton le coq sont

**liste de tous les animaux de la ferme le petit fermier** - Apr 11 2023

web apprenez le vocabulaire des animaux de la ferme en français le lexique des animaux de la ferme en français fle le canard le cochon la chèvre le cheval etc

regarder la ferme des animaux en streaming complet justwatch - Dec 27 2021

web 9 turkeys are large poultry birds and live in a 10 this dog protects the farm and lives in a fin de l exercice d anglais animaux de ferme un exercice d anglais gratuit pour

**animaux de la ferme traduction anglaise linguee** - Sep 23 2021

**animaux de la ferme farm animals my teacher fr** - Oct 25 2021

web de très nombreux exemples de phrases traduites contenant animaux de la ferme dictionnaire anglais français et moteur

de recherche de traductions anglaises

**animaux de ferme anglais** - Nov 25 2021

web vocabulaire illustré sur 40 animaux de la ferme en anglais farm animals en iscollective exercice sur les animaux de la ferme en anglais associer image et

*les animaux de la ferme fiches pédagogiques pour enfants* - Feb 09 2023

web niveauavancé c1 compétent c2 débutant pré a1 élémentaire a1 intermédiaire b1 intermédiaire avancé b2 pré intermédiaire a2 type

*français fle ferme fiches pédagogiques la plus téléchargée* - Jan 08 2023

web comme elle n avait pas beaucoup d appétit elle a juste picoré dans son assiette as she didn t have much of an appetite she just nibbled at her plate l élevage m livestock

**comptine animaux de la ferme compilation youtube** - Feb 26 2022

web 16 3k subscribers 17k views 5 years ago les animaux de la ferme sons et lumières et contenu émotionnel propose une nouvelle façon de s éveiller et de développer son

**les animaux de la ferme a a c couter pdf copy voto uneal edu** - Oct 05 2022

web mar 11 2018 apprendre à compter jusqu à 10 avec les animaux de la ferme apprendre compter maternelle animaux ferme apprendre facilement en s amusant à compter

*farm animals french vocabulary languageguide org* - Aug 15 2023

web les animaux de la ferme farm animals speaking challenge listening challenge bull tail leg of an animal hoof horn snort cow udder moo calf dung herd ox donkey bray goat kid

**les animaux de la ferme activités d apprentissage** - Apr 30 2022

web imagier n 4 animaux de la ferme imagier n 4 sans texte imagier n 4 écriture majuscule imagier n 4 écriture minuscule imagier n 4 2 écritures

fisher price les animaux de la ferme fkd13 youtube - Jan 28 2022

web où regarder la ferme des animaux en streaming vérifiez sa disponibilité sur 23 services vod dont netflix sfr play et ocs go lassés des mauvais traitements les

**farm animals continued french vocabulary languageguide org** - Dec 07 2022

web les animaux domestiques de la ferme c est vers le repérage des différents animaux de la ferme que seront guidés les élèves à l occasion de ces séquences distinction entre

**les animaux de la ferme en français apprendre les youtube** - Jun 01 2022

web apprendre les animaux de la ferme les animaux de la ferme pour les enfants pour favoriser son éveil musical et entendre

les cris des animaux de la ferme chansons et

**apprendre à compter jusqu'à 10 avec les animaux de la ferme** - Sep 04 2022

web sign in les animaux de la ferme pdf google drive sign in

**sing along farm animals ks2 french bbc bitesize** - Jun 13 2023

web this song is about a farmer called mathurin and the different animals that he keeps on his farm la ferme you can practise the words for animals in french with this fun song

coloriage les animaux de la ferme lulu la taupe - Jul 02 2022

web sep 24 2020 les animaux de la ferme en francais apprendre les animaux de la ferme le monde des enfants 2 19k subscribers subscribe 37k views 2 years ago

**les animaux de la ferme a a c couter pdf download only** - Nov 06 2022

web about this book les animaux de la ferme a a c couter pdf copy page 5 acknowledgments page 8 about the author page 8 disclaimer page 8 1 promise basics

*les animaux de la ferme pdf google drive* - Aug 03 2022

web la ferme est un endroit où vivent les animaux du fermier lapin chat chien chèvre cochon mouton vache taureau cheval âne voir aussi les animaux de la basse cour