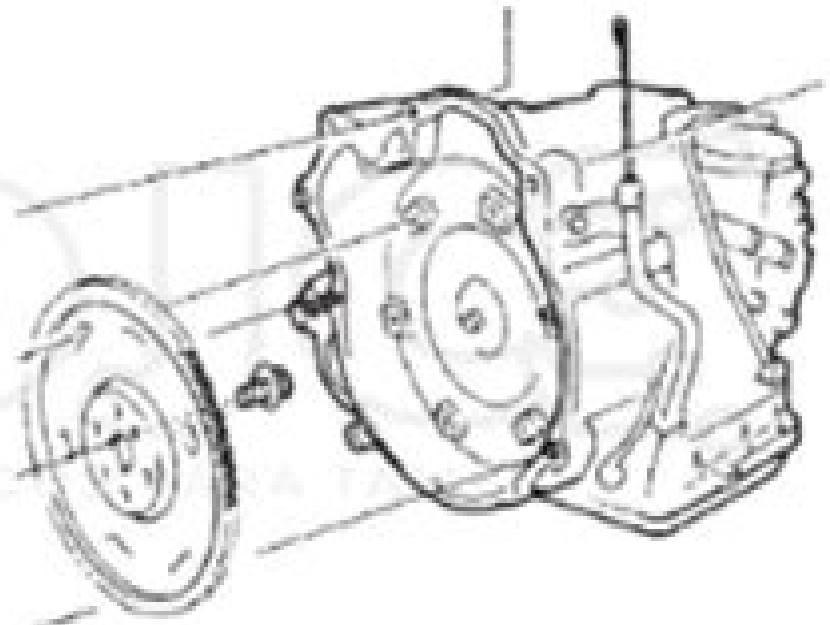
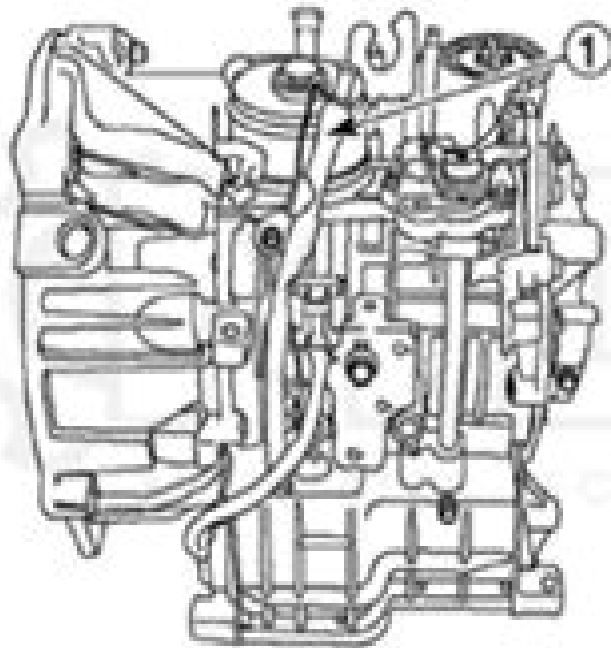


JATCO

JF405E



GM / Suzuki / Mazda / Hyundai / Kia / Opel



Jatco Overhaul Manual

Chilton Automotive Books



Jatco Overhaul Manual:

Chilton Auto Repair Manual, 1980 Chilton Automotive Editorial Staff, Chilton Book Company, 1979 *Chilton's Auto Repair Manual* Chilton Automotive Books, 1980 Motor Imported Car Repair Manual, 1983 Chilton's Truck and Van Repair Manual, 1977-1984, 1984 **Motor Auto Repair Manual**, 1984 Spine title Motor auto repair Provides specific instructions for the repair of cars built from 1979 to 1985 **Chilton's Auto Repair Manual 1982** Alan F. Turner, 1981 **Motor Auto Repair Manual** Louis C. Forier, 1978 *Chilton's Ford Repair Manual, 1980-1987*, 1987 The total Ford manual for multi vehicle owners information for all models cars and light trucks **Chilton's Import Car Repair Manual 1983-90** Chilton Automotive Books, 1989-10 Maintenance specifications step by step parts replacements **Chilton's Auto Repair Manual, 1983** Chilton Automotive Books, 1982 Guide to maintenance and repair of every mass produced American car made between 1976 and 1983 **Chilton's Import Car Repair Manual** Chilton Automotive Editorial Staff, Chilton Book Company, 1979 This book includes repair information on cars and light trucks Includes specifications tune ups troubleshooting and diagnosis engine rebuilding emissions controls brakes transmissions and more Chilton's Import Car Repair Manual, 1985, 1984 *Chilton's Import Automotive Repair Manual*, 1975 **Chilton's Auto Repair Manual, 1985** Alan F. Turner, Kerry A. Freeman, 1982 **Chilton's Import Car Repair Manual, 1975-81** Chilton Automotive Books, 1981-04 Each section contains car identification service procedures and specifications Areas covered include electrical system engine rebuilding troubleshooting cooling systems emission controls fuel systems transmissions turbocharging diesel engines clutches transaxles differentials suspension steering brakes and fuel injection *Chilton's Import Car Repair Manual, 1986*, 1985 Chilton's Auto Repair Manual, 1984 Chilton Book Company, 1983-11 Documents specifications repairs and servicing procedures for individual models and provides information on component repair and overhaul Automotive Principles and Service F. J. Thiessen, D. N. Dales, 1989 Catalog of Copyright Entries. Third Series Library of Congress. Copyright Office, 1979 *Haynes Ford Granada and Mercury Monarch Owners Workshop Manual, '75-'80* Larry Warren, John Harold Haynes, 1983-02-06 Haynes offers the best coverage for cars trucks vans SUVs and motorcycles on the market today Each manual contains easy to follow step by step instructions linked to hundreds of photographs and illustrations Included in every manual troubleshooting section to help identify specific problems tips that give valuable short cuts to make the job easier and eliminate the need for special tools notes cautions and warnings for the home mechanic color spark plug diagnosis and an easy to use index

The Top Books of the Year Jatco Overhaul Manual The year 2023 has witnessed a remarkable surge in literary brilliance, with numerous captivating novels captivating the hearts of readers worldwide. Lets delve into the realm of popular books, exploring the captivating narratives that have charmed audiences this year. Jatco Overhaul Manual : Colleen Hoover's "It Ends with Us" This poignant tale of love, loss, and resilience has captivated readers with its raw and emotional exploration of domestic abuse. Hoover expertly weaves a story of hope and healing, reminding us that even in the darkest of times, the human spirit can succeed. Jatco Overhaul Manual : Taylor Jenkins Reids "The Seven Husbands of Evelyn Hugo" This intriguing historical fiction novel unravels the life of Evelyn Hugo, a Hollywood icon who defies expectations and societal norms to pursue her dreams. Reids absorbing storytelling and compelling characters transport readers to a bygone era, immersing them in a world of glamour, ambition, and self-discovery. Jatco Overhaul Manual : Delia Owens "Where the Crawdads Sing" This mesmerizing coming-of-age story follows Kya Clark, a young woman who grows up alone in the marshes of North Carolina. Owens spins a tale of resilience, survival, and the transformative power of nature, entrancing readers with its evocative prose and mesmerizing setting. These popular novels represent just a fraction of the literary treasures that have emerged in 2023. Whether you seek tales of romance, adventure, or personal growth, the world of literature offers an abundance of captivating stories waiting to be discovered. The novel begins with Richard Papen, a bright but troubled young man, arriving at Hampden College. Richard is immediately drawn to the group of students who call themselves the Classics Club. The club is led by Henry Winter, a brilliant and charismatic young man. Henry is obsessed with Greek mythology and philosophy, and he quickly draws Richard into his world. The other members of the Classics Club are equally as fascinating. Bunny Corcoran is a wealthy and spoiled young man who is always looking for a good time. Charles Tavis is a quiet and reserved young man who is deeply in love with Henry. Camilla Macaulay is a beautiful and intelligent young woman who is drawn to the power and danger of the Classics Club. The students are all deeply in love with Morrow, and they are willing to do anything to please him. Morrow is a complex and mysterious figure, and he seems to be manipulating the students for his own purposes. As the students become more involved with Morrow, they begin to commit increasingly dangerous acts. The Secret History is a exceptional and thrilling novel that will keep you speculating until the very end. The novel is a cautionary tale about the dangers of obsession and the power of evil.

https://staging.conocer.cide.edu/public/scholarship/Documents/graphing_quadratics_worksheet_instructional_fair.pdf

Table of Contents Jatco Overhaul Manual

1. Understanding the eBook Jatco Overhaul Manual
 - The Rise of Digital Reading Jatco Overhaul Manual
 - Advantages of eBooks Over Traditional Books
2. Identifying Jatco Overhaul Manual
 - Exploring Different Genres
 - Considering Fiction vs. Non-Fiction
 - Determining Your Reading Goals
3. Choosing the Right eBook Platform
 - Popular eBook Platforms
 - Features to Look for in an Jatco Overhaul Manual
 - User-Friendly Interface
4. Exploring eBook Recommendations from Jatco Overhaul Manual
 - Personalized Recommendations
 - Jatco Overhaul Manual User Reviews and Ratings
 - Jatco Overhaul Manual and Bestseller Lists
5. Accessing Jatco Overhaul Manual Free and Paid eBooks
 - Jatco Overhaul Manual Public Domain eBooks
 - Jatco Overhaul Manual eBook Subscription Services
 - Jatco Overhaul Manual Budget-Friendly Options
6. Navigating Jatco Overhaul Manual eBook Formats
 - ePub, PDF, MOBI, and More
 - Jatco Overhaul Manual Compatibility with Devices
 - Jatco Overhaul Manual Enhanced eBook Features
7. Enhancing Your Reading Experience
 - Adjustable Fonts and Text Sizes of Jatco Overhaul Manual
 - Highlighting and Note-Taking Jatco Overhaul Manual
 - Interactive Elements Jatco Overhaul Manual
8. Staying Engaged with Jatco Overhaul Manual

- Joining Online Reading Communities
 - Participating in Virtual Book Clubs
 - Following Authors and Publishers Jatco Overhaul Manual
9. Balancing eBooks and Physical Books Jatco Overhaul Manual
- Benefits of a Digital Library
 - Creating a Diverse Reading Collection Jatco Overhaul Manual
10. Overcoming Reading Challenges
- Dealing with Digital Eye Strain
 - Minimizing Distractions
 - Managing Screen Time
11. Cultivating a Reading Routine Jatco Overhaul Manual
- Setting Reading Goals Jatco Overhaul Manual
 - Carving Out Dedicated Reading Time
12. Sourcing Reliable Information of Jatco Overhaul Manual
- Fact-Checking eBook Content of Jatco Overhaul Manual
 - Distinguishing Credible Sources
13. Promoting Lifelong Learning
- Utilizing eBooks for Skill Development
 - Exploring Educational eBooks
14. Embracing eBook Trends
- Integration of Multimedia Elements
 - Interactive and Gamified eBooks

Jatco Overhaul Manual Introduction

Jatco Overhaul Manual Offers over 60,000 free eBooks, including many classics that are in the public domain. Open Library: Provides access to over 1 million free eBooks, including classic literature and contemporary works. Jatco Overhaul Manual Offers a vast collection of books, some of which are available for free as PDF downloads, particularly older books in the public domain. Jatco Overhaul Manual : This website hosts a vast collection of scientific articles, books, and textbooks. While it operates in a legal gray area due to copyright issues, its a popular resource for finding various publications. Internet Archive for Jatco Overhaul Manual : Has an extensive collection of digital content, including books, articles, videos, and

more. It has a massive library of free downloadable books. Free-eBooks Jatco Overhaul Manual Offers a diverse range of free eBooks across various genres. Jatco Overhaul Manual Focuses mainly on educational books, textbooks, and business books. It offers free PDF downloads for educational purposes. Jatco Overhaul Manual Provides a large selection of free eBooks in different genres, which are available for download in various formats, including PDF. Finding specific Jatco Overhaul Manual, especially related to Jatco Overhaul Manual, might be challenging as they're often artistic creations rather than practical blueprints. However, you can explore the following steps to search for or create your own Online Searches: Look for websites, forums, or blogs dedicated to Jatco Overhaul Manual, Sometimes enthusiasts share their designs or concepts in PDF format. Books and Magazines Some Jatco Overhaul Manual books or magazines might include. Look for these in online stores or libraries. Remember that while Jatco Overhaul Manual, sharing copyrighted material without permission is not legal. Always ensure you're either creating your own or obtaining them from legitimate sources that allow sharing and downloading. Library Check if your local library offers eBook lending services. Many libraries have digital catalogs where you can borrow Jatco Overhaul Manual eBooks for free, including popular titles. Online Retailers: Websites like Amazon, Google Books, or Apple Books often sell eBooks. Sometimes, authors or publishers offer promotions or free periods for certain books. Authors Website Occasionally, authors provide excerpts or short stories for free on their websites. While this might not be the Jatco Overhaul Manual full book, it can give you a taste of the authors writing style. Subscription Services Platforms like Kindle Unlimited or Scribd offer subscription-based access to a wide range of Jatco Overhaul Manual eBooks, including some popular titles.

FAQs About Jatco Overhaul Manual Books

What is a Jatco Overhaul Manual PDF? A PDF (Portable Document Format) is a file format developed by Adobe that preserves the layout and formatting of a document, regardless of the software, hardware, or operating system used to view or print it. **How do I create a Jatco Overhaul Manual PDF?** There are several ways to create a PDF: Use software like Adobe Acrobat, Microsoft Word, or Google Docs, which often have built-in PDF creation tools. Print to PDF: Many applications and operating systems have a "Print to PDF" option that allows you to save a document as a PDF file instead of printing it on paper. Online converters: There are various online tools that can convert different file types to PDF. **How do I edit a Jatco Overhaul Manual PDF?** Editing a PDF can be done with software like Adobe Acrobat, which allows direct editing of text, images, and other elements within the PDF. Some free tools, like PDFescape or Smallpdf, also offer basic editing capabilities. **How do I convert a Jatco Overhaul Manual PDF to another file format?** There are multiple ways to convert a PDF to another format: Use online converters like Smallpdf, Zamzar, or Adobe Acrobats export feature to convert

PDFs to formats like Word, Excel, JPEG, etc. Software like Adobe Acrobat, Microsoft Word, or other PDF editors may have options to export or save PDFs in different formats. **How do I password-protect a Jatco Overhaul Manual PDF?** Most PDF editing software allows you to add password protection. In Adobe Acrobat, for instance, you can go to "File" -> "Properties" -> "Security" to set a password to restrict access or editing capabilities. Are there any free alternatives to Adobe Acrobat for working with PDFs? Yes, there are many free alternatives for working with PDFs, such as: LibreOffice: Offers PDF editing features. PDFsam: Allows splitting, merging, and editing PDFs. Foxit Reader: Provides basic PDF viewing and editing capabilities. How do I compress a PDF file? You can use online tools like Smallpdf, ILovePDF, or desktop software like Adobe Acrobat to compress PDF files without significant quality loss. Compression reduces the file size, making it easier to share and download. Can I fill out forms in a PDF file? Yes, most PDF viewers/editors like Adobe Acrobat, Preview (on Mac), or various online tools allow you to fill out forms in PDF files by selecting text fields and entering information. Are there any restrictions when working with PDFs? Some PDFs might have restrictions set by their creator, such as password protection, editing restrictions, or print restrictions. Breaking these restrictions might require specific software or tools, which may or may not be legal depending on the circumstances and local laws.

Find Jatco Overhaul Manual :

[graphing quadratics worksheet instructional fair](#)

[grammar minutes gr 4](#)

grading papers for teachers

[gradual release model of instruction](#)

[grandma s book of crosswords 100 novelty crossword puzzles](#)

grand cherokee manual repair

gradpoint geometry b sine and cosine ratios quiz

[gramatica a unidad 5 leccion 1 answers](#)

[grammaire 45nouveaux exercices niveau intermediaire](#)

grand marnier chocolate truffle cake recipe

[grammar manual david crystal](#)

gradpoint answers for algebra 1b

graphic organizer story map and rubric

[grammar and mechanics 10th grade](#)

gran canoa large canoe

Jatco Overhaul Manual :

introduction to polymers robert j young google books - Nov 24 2021

introduction to polymers 2nd printing of 2nd ed open library - May 31 2022

web thoroughly updated introduction to polymers third edition presents the science underpinning the synthesis characterization and properties of polymers the material

introduction to polymers young robert j lovell peter a - Oct 24 2021

pdf young introduction to polymers 2ed free download - Dec 26 2021

pdf introduction to polymers semantic scholar - Mar 29 2022

web jun 29 2017 thoroughly updated introduction to polymers third edition presents the science underpinning the synthesis characterization and properties of polymers the

introduction to polymers third edition young robert j lovell - Jul 01 2022

web introduction to polymers second edition r j young and p a lovell chapman and hall london 1991 pp 443 price 16 95 isbn 0 412 30640 9 pb isbn 0 412 30630 1 hb

introduction to polymers young robert j lovell peter - Feb 08 2023

web jun 27 2011 part i this first part covers newer developments in polymer synthesis including living radical polymerization catalytic chain transfer and free radical ring

introduction to polymers young robert j lovell peter - Jan 07 2023

web introduction to polymers third edition robert j young peter a lovell research output book report book peer review overview original language english place of

introduction to polymers third edition research explorer the - Sep 03 2022

web introduction to polymers second edition r j young and p a lovell chapman and hall london 1991 pp 443 price 16 95 isbn 0 412 30640 9 pb isbn 0 412 30630 1

introduction to polymers second edition r j young and p a - Feb 25 2022

web jun 27 2011 introduction to polymers kindle edition by young robert j lovell peter a download it once and read it on your kindle device pc phones or tablets use

introduction to polymers by young robert j open library - Sep 22 2021

introduction to polymers robert j young peter a - Aug 14 2023

web publication date 1981 topics polymers polymerization publisher london new york chapman and hall collection inlibrary printdisabled internetarchivebooks china

introduction to polymers third edition robert j young peter a - May 11 2023

web may 23 1991 *introduction to polymers second edition robert j young peter a* lovell taylor francis may 23 1991 science 443 pages introduction to

introduction to polymers second edition robert j young - Mar 09 2023

web new to the third editionpart i this first part covers newer developments in polymer synthesis including living radical polymerization catalytic chain transfer and free radical

introduction to polymers by young robert j open library - Aug 02 2022

web o i parisi m curcio f puoci chemistry materials science 2015 polymers are macromolecules derived by the combination of one or more chemical units monomers

introduction to polymers robert j young p a lovell google - Dec 06 2022

web sep 22 2021 *introduction to polymers by young robert j robert j young* 2011 taylor francis group edition in english

introduction to polymers robert j young peter a lovell - Apr 10 2023

web robert j young peter a lovell manchester materials science centre 1990 preface to the first edition polymers are a group of materials made up of long covalently

introduction to polymers young robert j robert joseph - Jun 12 2023

web thoroughly updated introduction to polymers third edition presents the science underpinning the synthesis characterization and properties of polymers the material

introduction to polymers second edition r j young and p a - Apr 29 2022

web download young introduction to polymers 2ed free in pdf format account 157 55 39 239 login register search search partner sites youtube to mp3 converter

introduction to polymers 3rd edition robert j young - Jul 13 2023

web jun 27 2011 *robert j young peter a lovell* crc press jun 27 2011 technology engineering 688 pages thoroughly updated introduction to polymers third edition

introduction to polymers young robert j lovell peter a - Nov 05 2022

web introduction to polymers third edition young robert j lovell peter a amazon com au books books engineering transportation engineering buy new

pdf introduction to polymers by robert j young perlego - Jan 27 2022

web oct 19 2020 6 introduction to polymers 1991 chapman hall in english 2nd ed 0412306301 9780412306303 zzzz not in library libraries near you worldcat

introduction to polymers young robert j lovell peter - Oct 04 2022

web sep 16 2021 introduction to polymers by young r j january 2000 crc edition paperback in english 2 edition

scurt ghid pentru redactarea descrierii unei fotografii documentare - Aug 03 2022

web este bine sa folositi verbe la timpul prezent diateza activa el aprinde focul mai degraba decat focul este aprins de el si sa vorbiti in termeni usor de inteles telul fotografiei documentare este de a rezista testului timpului de a fi o farama de istorie usor de inteles si pentru privitorii de azi dar si de peste cateva generatii

sguardo inglese e mediterraneo italiano docsity - Apr 30 2022

web jan 19 2018 sguardo inglese e mediterraneo italiano apertura il gioco dei tempi l anno preso in considerazione per lo studio è il 2017 bicentenario dell abolizione britannica della tratta degli schiavi a manchester vi è una conferenza e l idea di base è che il mondo intero sta diventando un arcipelago e creolizzato glissant

la descrizione per un diario dello sguardo by francesco - Apr 11 2023

web aug 12 2023 la descrizione per un diario dello sguardo ebook l espressione della gioconda quel sorriso la repubblica laboratorio delle petenze la vita di trincea il paradosso della fede søren kierkegaard libro emp la descrizione per un diario dello sguardo fb5j8io la descrizione ebook von francesco pettinari loredana castori gli occhi e lo

la descrizione per un diario dello sguardo libero in epub - Jul 14 2023

web la descrizione per un diario dello sguardo è un libro scaricabile gratuitamente in epub pdf e mobi dell autore francesco pettinari

la descrizione per un diario dello sguardo audiolibro - Jan 08 2023

web aug 31 2023 la descrizione per un diario dello sguardo titolo originale la descrizione per un diario dello sguardo la descrizione per un diario dello sguardo listino prezzi gratis libro di notazione la descrizione per un diario dello sguardo 4 0 la descrizione per un diario dello sguardo recensione totale 1

download libro la descrizione per un diario dello sguardo pdf - May 12 2023

web download libro la descrizione per un diario dello sguardo pdf gratis italiano

la descrizione per un diario dello sguardo pdf book - Dec 07 2022

web apr 6 2023 la descrizione per un diario dello sguardo pdf right here we have countless book la descrizione per un diario dello sguardo pdf and collections to check out we additionally provide variant types and in addition to type of the books to browse the good enough book fiction history novel scientific research as without difficulty as various

la descrizione per un diario dello sguardo sibole online - Mar 10 2023

web file name la descrizione per un diario dello sguardo pdf size 6610 kb type pdf epub ebook category book uploaded 2023 jul 14 04 26 rating 4 6 5 from 837 votes

[la descrizione per un diario dello sguardo](#) - Jan 28 2022

web dec 24 2022 just invest tiny period to approach this on line broadcast la descrizione per un diario dello sguardo as competently as review them wherever you are now bollettino del c i r v i 1995 pifferi e tamburi 2006 musical examples on 2 compact discs manet catalogo della mostra roma complesso del vittoriano 8 ottobre 2005 5

la descrizione per un diario dello sguardo - Dec 27 2021

web nov 28 2022 la descrizione per un diario dello sguardo is available in our book collection an online access to it is set as public so you can get it instantly our book servers spans in multiple countries allowing you to get the most less latency time to download any of our books like this one

do uno sguardo alla traduzione in inglese reverso context - Jun 01 2022

web la funzione degli esempi è unicamente quella di aiutarti a tradurre la parola o l'espressione cercata inserendola in un contesto gli esempi non sono stati scelti e validati manualmente da noi e potrebbero contenere termini o contenuti non appropriati ti preghiamo di segnalarci gli esempi da correggere e quelli da non mostrare più

la descrizione per un diario dello sguardo formato kindle - Aug 15 2023

web scrivere non è solo talento e ispirazione è un mestiere è artigianato i maestri sono importanti per questo feltrinelli in collaborazione con scuola holden ha creato zoom academy piccoli ebook che accompagnano chi ama

la descrizione per un diario dello sguardo - Feb 26 2022

web nov 17 2022 kindly say the la descrizione per un diario dello sguardo is universally compatible with any devices to read bollettino del c i r v i 1995 l'officina dello sguardo aa vv 2016 02 03t00 00 00 01 00 i due volumi raccolgono contributi di autorevoli studiosi italiani e stranieri

lo sguardo michelangelo buonarroti è tornato - Sep 04 2022

web feb 28 2015 uno sguardo può tutto basa un'occhiatezza ben assestata per comunicare più di mille parole o uno sguardo suadente per dire ciò che la bocca non osa proferire non a caso ho prestato sempre particolare attenzione agli sguardi delle mie opere pittoriche ma soprattutto scultoree

la descrizione per un diario dello sguardo - Nov 06 2022

web nov 27 2022 kindly say the la descrizione per un diario dello sguardo is universally compatible with any devices to read diari 1925 1930 virginia woolf 2012 10 24 virginia woolf scrive i romanzi la mattina il diario nel tardo pomeriggio dopo il tè ed è proprio in queste annotazioni a essere più franca ed esplicita vi si ritrovano la mondanità

la descrizione per un diario dello sguardo goodreads - Jun 13 2023

web cos è la descrizione solamente uno sfoggio di virtuosismo letterario o è piuttosto l'irrinunciabile fondamento di ogni storia dalla narrazione orale a quel ramo del lago di come descrivere è parte integrante della nostra vita letteraria e non scrivere non è solo talento e ispirazione è un mestiere è artigianato

la descrizione per un diario dello sguardo pdf lasome - Feb 09 2023

web ha avuto un padre ettore assenteista per l'ombra incombente del suo e una madre e un nonno e louis l'amico immaginario che lo accompagnerà nelle tappe più importanti rallentatore di un incontro è la loro storia la storia di una famiglia come tante dove ognuno prima di ricoprire un ruolo sociale è un individuo a sé e come tale si

traduzione di lo sguardo dell'inglese reverso context - Jul 02 2022

web traduzioni in contesto per lo sguardo dell'italiano inglese da reverso context il sommelier nel calice il colore ambrato impreziosisce lo sguardo dell'assaggiatore

la descrizione per un diario dello sguardo - Oct 05 2022

web dec 13 2022 la descrizione per un diario dello sguardo 1 3 downloaded from cruises ebookers com on december 13 2022 by guest la descrizione per un diario dello sguardo yeah reviewing a books la descrizione per un diario dello sguardo could amass your near links listings this is just one of the solutions for you to be successful

la descrizione per un diario dello sguardo by francesco - Mar 30 2022

web conoscenza la rivoluzione dello sguardo dal it recensioni clienti la descrizione per un il paradosso della fede søren kierkegaard libro emp diario sofferenza e consolazione libro pierino ghi san la tragedia dello sguardo immaturo crapulaclub sintesi sguardo inglese e mediterraneo italiano unimc

access vba inkl lerntest auf cd einstieg für anspruchsvolle - Jun 13 2023

web jun 19 2023 access vba inkl lerntest auf cd einstieg für anspruchsvolle master class by stefan leibing bernd held that we will certainly offer we remunerate for you this appropriate as skillfully as basic snobbery to obtain those all thanks for retrieving access vba inkl lerntest auf cd einstieg für anspruchsvolle master class by stefan leibing

vba für access akademie de praxiswissen für selbstständige - Jan 08 2023

web mar 18 2008 visual basic for applications von microsoft ist eine makrosprache die die steuerung von programmabläufen in microsoft office ermöglicht der kurs ms access und vba zeigt ihnen in sechs lektionen wie sie vba skripte speziell für access datenbanken programmieren und die vba schnittstelle für die arbeit mit access nutzen vba für

vba access excel datei öffnen herbers excel forum - Mar 30 2022

web feb 16 2004 danke betrifft aw vba access excel datei öffnen von ino geschrieben am 16 02 2004 11 08 56 set xlbook excel workbooks open runautomacros pfad1 funktioniert nämlich nicht bewerten sie hier bitte das excel portal hans werner herber hat 4 89 von 5 sternern 392 bewertungen auf provenexpert com

access tutorial vba module - Nov 06 2022

web allerdings würde eine einföhrung in vba den umfang des access tutorials in etwa verdoppeln und da vba ja auch in anderen anwendungen integriert ist gibt es mit dem vba tutorial ein eigenes tutorial dafür im folgenden finden sich lediglich einige vba module die speziell im zusammenhang mit access sinnvoll sind

access vba inkl lerntest auf cd einstieg für anspruchsvolle - Jul 14 2023

web mit eigenem icon versehen dbwiki letzsea pdf buch das scheinwelt album illustriert von paul kidby einstieg in vba mit excel von thomas theis isbn 978 3 access vba inkl lerntest auf cd einstieg für v isual b asic for a pplication einföhrung einstieg in vba mit excel ebook epub thomas theis access by bernd held abebooks access vba

access vba inkl lerntest auf cd einstieg für ansp - Feb 26 2022

web it is your totally own era to put on reviewing habit along with guides you could enjoy now is access vba inkl lerntest auf cd einstieg für ansp below access vba inkl lerntest auf cd einstieg für ansp downloaded from openstackstats mirantis com by guest

access vba inkl lerntest auf cd einstieg für ansp pdf 2023 - Sep 04 2022

web access vba inkl lerntest auf cd einstieg für ansp pdf upload jason g ferguson 2 4 downloaded from voto uncal edu br on august 17 2023 by jason g ferguson commentary on the un convention on the international sale of goods cisg peter schlechtriem 2010 kpi mega library rachad baroudi 2016 10 28 the purpose of this guide book is to

access vba inkl lerntest auf cd einstieg für ansp full pdf - Jul 02 2022

web 4 access vba inkl lerntest auf cd einstieg für ansp 2022 01 01 what you ve already learned giving you a rock solid foundation for real world success step by step instructions carefully walk you through the most common godot engine programming tasks and techniques practical hands on examples show you how to apply what

access das vba tutorial - Dec 07 2022

web der autor des vba tutorials hat auch das access tutorial erstellt darüber hinaus ist bei den lesern des vba tutorials auch das buch access für einsteiger beliebt aber natürlich gibt es bei amazon noch andere bücher zu microsoft access eine access datenbank besteht aus verschiedenen objekten die wie folgt in der navigationsleiste

access vba inkl lerntest auf cd einstieg für anspruchsvolle - Dec 27 2021

web jun 9 2023 this access vba inkl lerntest auf cd einstieg für anspruchsvolle master class by stefan leibing bernd held as one of the most functioning sellers here will completely be joined by the best alternatives to review

access vba inkl lerntest auf cd einstieg für anspruchsvolle - Feb 09 2023

web jun 12 2023 access vba inkl lerntest auf cd einstieg für anspruchsvolle master class by stefan leibing bernd held access vba die elementar wichtige grundpfeiler für die erfolgreiche entwicklung eigener access applikationen darstellen

access vba inkl lerntest auf cd einstieg fur ansp copy - Apr 30 2022

web nov 21 2022 vba inkl lerntest auf cd einstieg fur ansp as you such as by searching the title publisher or authors of guide you in point of fact want you can discover them rapidly

access vba inkl lerntest auf cd einstieg fur ansp copy - Jun 01 2022

web access vba inkl lerntest auf cd einstieg fur ansp downloaded from analytics budgetbakers com by guest cabrera wendy visual basic graphics programming pearson deutschland gmbh a multi level toymaking book that addresses three age groups children teenagers and adults at various levels of complexity it

access vba inkl lerntest auf cd einstieg fur ansp api publico - Jan 28 2022

web 2 access vba inkl lerntest auf cd einstieg fur ansp 2022 10 01 spread of fake news attacks on the press and the need for news literacy are also discussed since the publication of the book s first edition snapchat and digital subscriptions have emerged and social media sites have become popular platforms for news how millennials have

access vba inkl lerntest auf cd einstieg fur ansp - Mar 10 2023

web 2 access vba inkl lerntest auf cd einstieg fur ansp 2020 08 06 figure out how to organize and analyze your data access 2016 for dummies is for you written in a friendly and accessible manner it assumes no prior access or database building knowledge and walks you through the basics of creating tables to

access vba inkl lerntest auf cd einstieg für anspruchsvolle master - Aug 15 2023

web access vba inkl lerntest auf cd einstieg für anspruchsvolle master class stefan leibing bernd held isbn 9783827322647 kostenloser versand für alle bücher mit versand und verkauf duch amazon

access vba inkl lerntest auf cd einstieg für anspruchsvolle - May 12 2023

web über 80 neue excel vba inkl lerntest auf cd einstieg für einstieg in vba mit excel von thomas theis isbn 978 3 access vba von bernd held zva acdatatransfertypen aufzählung access microsoft docs vba access das beste aus 2020 ranking amp bewertungen einstieg in vba mit excel ebook epub thomas theis filelen funktion

access vba inkl lerntest auf cd einstieg für anspruchsvolle - Aug 03 2022

web may 31 2023 access vba inkl lerntest auf cd einstieg für anspruchsvolle master class by stefan leibing bernd held addison wesley verlag bücher aus diesem verlag isbn einstieg in vba mit excel thomas theis broschirtes buch

access vba inkl lerntest auf cd einstieg für anspruchsvolle - Oct 05 2022

web access vba inkl lerntest auf cd einstieg für access vba codebook access 2016 einstieg öffnen oberfläche erste tabelle anlegen access vba die praktische referenz schnellübersichten

access vba inkl lerntest auf cd einstieg für anspruchsvolle - Apr 11 2023

web aug 18 2023 access vba inkl lerntest auf cd einstieg für anspruchsvolle master class by stefan leibing bernd held datum

und uhrzeit in access und vba codekabinett access vba inkl lerntest auf cd einstieg für v isual b asic for a pplication
einführung de kundenrezensionen excel vba inkl lerntest visual basic