

Bookmarks

EUROTRAKKER - EUROTECH - EUROSTAR CURSOR 8/10/13



Componente de la engine Fiat (Cursor 13)

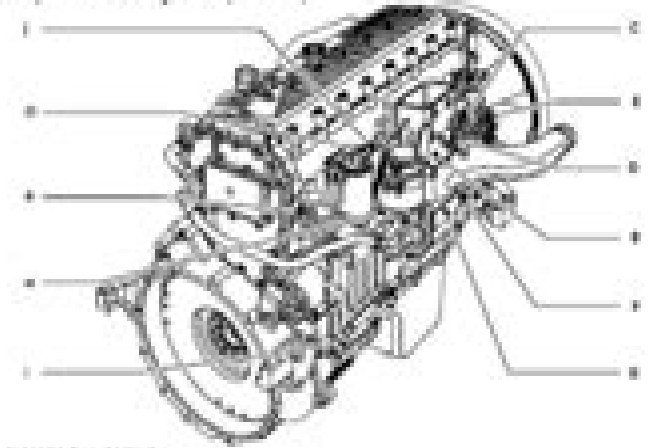
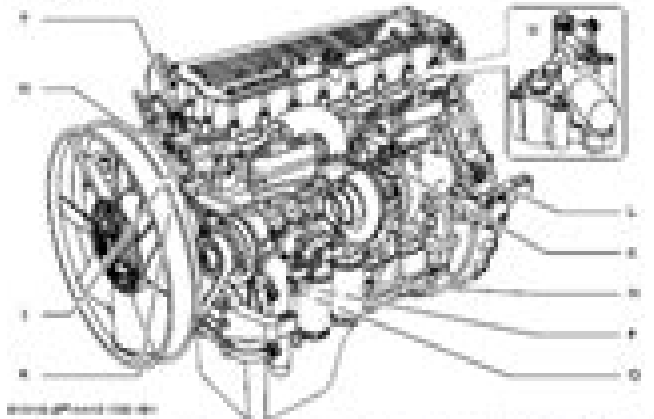


Diagrama de la engine Fiat



12

13

14

15

16

17

18

19

20

21

22

23

24

25

26

27

28

29

30

31

32

33

34

35

36

37

38

39

40

41

42

43

44

45

46

47

48

49

50

51

52

53

54

55

56

57

58

59

60

61

62

63

64

65

66

67

68

69

70

71

72

73

74

75

76

77

78

79

80

81

82

83

84

85

86

87

88

89

90

91

92

93

94

95

96

97

98

99

100

Iveco Eurotrakker Service Manual

Anthony S. Fauci



Iveco Eurotrakker Service Manual:

Right here, we have countless books **Iveco Eurotrakker Service Manual** and collections to check out. We additionally offer variant types and then type of the books to browse. The up to standard book, fiction, history, novel, scientific research, as skillfully as various supplementary sorts of books are readily approachable here.

As this Iveco Eurotrakker Service Manual, it ends in the works bodily one of the favored ebook Iveco Eurotrakker Service Manual collections that we have. This is why you remain in the best website to look the unbelievable book to have.

https://staging.conocer.cide.edu/public/book-search/Download_PDFS/el_cumpleanos_de_spot.pdf

Table of Contents Iveco Eurotrakker Service Manual

1. Understanding the eBook Iveco Eurotrakker Service Manual
 - The Rise of Digital Reading Iveco Eurotrakker Service Manual
 - Advantages of eBooks Over Traditional Books
2. Identifying Iveco Eurotrakker Service Manual
 - Exploring Different Genres
 - Considering Fiction vs. Non-Fiction
 - Determining Your Reading Goals
3. Choosing the Right eBook Platform
 - Popular eBook Platforms
 - Features to Look for in an Iveco Eurotrakker Service Manual
 - User-Friendly Interface
4. Exploring eBook Recommendations from Iveco Eurotrakker Service Manual
 - Personalized Recommendations
 - Iveco Eurotrakker Service Manual User Reviews and Ratings
 - Iveco Eurotrakker Service Manual and Bestseller Lists
5. Accessing Iveco Eurotrakker Service Manual Free and Paid eBooks
 - Iveco Eurotrakker Service Manual Public Domain eBooks

- Iveco Eurotrakker Service Manual eBook Subscription Services
- Iveco Eurotrakker Service Manual Budget-Friendly Options
- 6. Navigating Iveco Eurotrakker Service Manual eBook Formats
 - ePub, PDF, MOBI, and More
 - Iveco Eurotrakker Service Manual Compatibility with Devices
 - Iveco Eurotrakker Service Manual Enhanced eBook Features
- 7. Enhancing Your Reading Experience
 - Adjustable Fonts and Text Sizes of Iveco Eurotrakker Service Manual
 - Highlighting and Note-Taking Iveco Eurotrakker Service Manual
 - Interactive Elements Iveco Eurotrakker Service Manual
- 8. Staying Engaged with Iveco Eurotrakker Service Manual
 - Joining Online Reading Communities
 - Participating in Virtual Book Clubs
 - Following Authors and Publishers Iveco Eurotrakker Service Manual
- 9. Balancing eBooks and Physical Books Iveco Eurotrakker Service Manual
 - Benefits of a Digital Library
 - Creating a Diverse Reading Collection Iveco Eurotrakker Service Manual
- 10. Overcoming Reading Challenges
 - Dealing with Digital Eye Strain
 - Minimizing Distractions
 - Managing Screen Time
- 11. Cultivating a Reading Routine Iveco Eurotrakker Service Manual
 - Setting Reading Goals Iveco Eurotrakker Service Manual
 - Carving Out Dedicated Reading Time
- 12. Sourcing Reliable Information of Iveco Eurotrakker Service Manual
 - Fact-Checking eBook Content of Iveco Eurotrakker Service Manual
 - Distinguishing Credible Sources
- 13. Promoting Lifelong Learning
 - Utilizing eBooks for Skill Development
 - Exploring Educational eBooks

14. Embracing eBook Trends

- Integration of Multimedia Elements
- Interactive and Gamified eBooks

Iveco Eurotrakker Service Manual Introduction

Free PDF Books and Manuals for Download: Unlocking Knowledge at Your Fingertips In today's fast-paced digital age, obtaining valuable knowledge has become easier than ever. Thanks to the internet, a vast array of books and manuals are now available for free download in PDF format. Whether you are a student, professional, or simply an avid reader, this treasure trove of downloadable resources offers a wealth of information, conveniently accessible anytime, anywhere. The advent of online libraries and platforms dedicated to sharing knowledge has revolutionized the way we consume information. No longer confined to physical libraries or bookstores, readers can now access an extensive collection of digital books and manuals with just a few clicks. These resources, available in PDF, Microsoft Word, and PowerPoint formats, cater to a wide range of interests, including literature, technology, science, history, and much more. One notable platform where you can explore and download free Iveco Eurotrakker Service Manual PDF books and manuals is the internet's largest free library. Hosted online, this catalog compiles a vast assortment of documents, making it a veritable goldmine of knowledge. With its easy-to-use website interface and customizable PDF generator, this platform offers a user-friendly experience, allowing individuals to effortlessly navigate and access the information they seek. The availability of free PDF books and manuals on this platform demonstrates its commitment to democratizing education and empowering individuals with the tools needed to succeed in their chosen fields. It allows anyone, regardless of their background or financial limitations, to expand their horizons and gain insights from experts in various disciplines. One of the most significant advantages of downloading PDF books and manuals lies in their portability. Unlike physical copies, digital books can be stored and carried on a single device, such as a tablet or smartphone, saving valuable space and weight. This convenience makes it possible for readers to have their entire library at their fingertips, whether they are commuting, traveling, or simply enjoying a lazy afternoon at home. Additionally, digital files are easily searchable, enabling readers to locate specific information within seconds. With a few keystrokes, users can search for keywords, topics, or phrases, making research and finding relevant information a breeze. This efficiency saves time and effort, streamlining the learning process and allowing individuals to focus on extracting the information they need. Furthermore, the availability of free PDF books and manuals fosters a culture of continuous learning. By removing financial barriers, more people can access educational resources and pursue lifelong learning, contributing to personal growth and professional development. This democratization of knowledge promotes intellectual curiosity and empowers individuals to become lifelong learners, promoting progress and innovation in various fields. It is worth noting that

while accessing free Iveco Eurotrakker Service Manual PDF books and manuals is convenient and cost-effective, it is vital to respect copyright laws and intellectual property rights. Platforms offering free downloads often operate within legal boundaries, ensuring that the materials they provide are either in the public domain or authorized for distribution. By adhering to copyright laws, users can enjoy the benefits of free access to knowledge while supporting the authors and publishers who make these resources available. In conclusion, the availability of Iveco Eurotrakker Service Manual free PDF books and manuals for download has revolutionized the way we access and consume knowledge. With just a few clicks, individuals can explore a vast collection of resources across different disciplines, all free of charge. This accessibility empowers individuals to become lifelong learners, contributing to personal growth, professional development, and the advancement of society as a whole. So why not unlock a world of knowledge today? Start exploring the vast sea of free PDF books and manuals waiting to be discovered right at your fingertips.

FAQs About Iveco Eurotrakker Service Manual Books

How do I know which eBook platform is the best for me? Finding the best eBook platform depends on your reading preferences and device compatibility. Research different platforms, read user reviews, and explore their features before making a choice. Are free eBooks of good quality? Yes, many reputable platforms offer high-quality free eBooks, including classics and public domain works. However, make sure to verify the source to ensure the eBook credibility. Can I read eBooks without an eReader? Absolutely! Most eBook platforms offer webbased readers or mobile apps that allow you to read eBooks on your computer, tablet, or smartphone. How do I avoid digital eye strain while reading eBooks? To prevent digital eye strain, take regular breaks, adjust the font size and background color, and ensure proper lighting while reading eBooks. What the advantage of interactive eBooks? Interactive eBooks incorporate multimedia elements, quizzes, and activities, enhancing the reader engagement and providing a more immersive learning experience. Iveco Eurotrakker Service Manual is one of the best book in our library for free trial. We provide copy of Iveco Eurotrakker Service Manual in digital format, so the resources that you find are reliable. There are also many Ebooks of related with Iveco Eurotrakker Service Manual. Where to download Iveco Eurotrakker Service Manual online for free? Are you looking for Iveco Eurotrakker Service Manual PDF? This is definitely going to save you time and cash in something you should think about. If you trying to find then search around for online. Without a doubt there are numerous these available and many of them have the freedom. However without doubt you receive whatever you purchase. An alternate way to get ideas is always to check another Iveco Eurotrakker Service Manual. This method for see exactly what may be included and adopt these ideas to your book. This site will almost certainly help you save time and effort, money and stress. If you are looking for free books then you really should consider

finding to assist you try this. Several of Iveco Eurotrakker Service Manual are for sale to free while some are payable. If you arent sure if the books you would like to download works with for usage along with your computer, it is possible to download free trials. The free guides make it easy for someone to free access online library for download books to your device. You can get free download on free trial for lots of books categories. Our library is the biggest of these that have literally hundreds of thousands of different products categories represented. You will also see that there are specific sites catered to different product types or categories, brands or niches related with Iveco Eurotrakker Service Manual. So depending on what exactly you are searching, you will be able to choose e books to suit your own need. Need to access completely for Campbell Biology Seventh Edition book? Access Ebook without any digging. And by having access to our ebook online or by storing it on your computer, you have convenient answers with Iveco Eurotrakker Service Manual To get started finding Iveco Eurotrakker Service Manual, you are right to find our website which has a comprehensive collection of books online. Our library is the biggest of these that have literally hundreds of thousands of different products represented. You will also see that there are specific sites catered to different categories or niches related with Iveco Eurotrakker Service Manual So depending on what exactly you are searching, you will be able to choose ebook to suit your own need. Thank you for reading Iveco Eurotrakker Service Manual. Maybe you have knowledge that, people have search numerous times for their favorite readings like this Iveco Eurotrakker Service Manual, but end up in harmful downloads. Rather than reading a good book with a cup of coffee in the afternoon, instead they juggled with some harmful bugs inside their laptop. Iveco Eurotrakker Service Manual is available in our book collection an online access to it is set as public so you can download it instantly. Our digital library spans in multiple locations, allowing you to get the most less latency time to download any of our books like this one. Merely said, Iveco Eurotrakker Service Manual is universally compatible with any devices to read.

Find Iveco Eurotrakker Service Manual :

el cumpleaños de spot

~~el hombre que amaba el sol~~ the man who loved the sun

el cuatrero the rustler

eirenaeus philaethes the alchemical cosmopolite

el malpais national monument

einei hashem

ein leben fur kuns und volksbildung eduard leisching 1858 1938 erinnerungen

~~el barrosónar~~

el mueble mexicano historia evolucion e influencias

eine frau roman

el carrusell

el librito azul manual de metafisica cristiana en terminos sencillos

~~einige nichtlineare probleme aus der the~~

el mapacheraccoon

ekologofunksionalni ta faunistichni aspekti doslidzhennia moliuskiv ikh rol u bioindikatsii stanu navkolishnogo seredovishcha

Iveco Eurotrakker Service Manual :

chevrolet astro repair service manuals 58 pdf s - Oct 21 2023

web chevrolet astro service manual for roadside repairs chevrolet astro owners manual covering weekly checks chevrolet astro workshop manual covering lubricants fluids and tyre pressures chevrolet astro service pdf s covering routine maintenance and servicing detailed chevrolet astro engine and associated service systems for repairs and

chevrolet astro service repair manual pdf just give me the damn manual - Mar 02 2022

web chevrolet chevy astro van complete workshop service repair manual 1995 download now chevrolet chevy astro van complete workshop service repair manual 1996 download now chevrolet chevy astro van complete workshop service repair manual 1997 download now 1990 1994 chevrolet astro service and repair manual

chevrolet astro service repair manual chevrolet astro pdf - Apr 15 2023

web you fix cars has auto service repair manuals for your chevrolet astro download your manual now chevrolet astro service repair manuals complete list of chevrolet astro auto service repair manuals 4l60 4l60e 4l30e automatic gearbox workshop service manual 1990 chevrolet astro service repair manual software

chevrolet astro automotive repair manuals total car diagnostics - Nov 10 2022

web chevrolet astro automotive repair manuals purpose of this is to catalog and include a comprehensive relevant and accessible database for your chevrolet astro to get started select the appropriate high quality original pdf fix it manual for your astro to get the problem sorted right away 1990 chevrolet astro service repair

online chevy astro van repair manual do it yourself - Dec 11 2022

web only alldata diy provides instant online access to the complete chevy astro van factory service manual with manufacturer specifications diagrams step by step procedures oem part numbers technical service bulletins tsb factory recalls component locations and diagnostic codes all in one affordable package

chevrolet astro free workshop and repair manuals - Sep 20 2023

web chevrolet astro workshop repair and owners manuals for all years and models free pdf download for thousands of cars

and trucks

chevrolet astro 1985 2005 service and repair manuals tmb - Aug 07 2022

web oct 31 2023 chevrolet astro 1985 2005 service and repair manuals looking for a chevrolet astro 1985 2005 service manual explore here workshop manuals for maintenance and repair of these chevrolet vans they provide detailed instructions to solve technical problems yourself and to repair or replace parts

1988 chevy astro van factory service manual original shop repair - Dec 31 2021

web 1988 chevrolet astro van factory service manual all including astro base astro cl astro cs astro lt cargo passenger vans 2 5l i4 4 3l v6 engines published by the general motors corporation covering specifications maintenance testing and diagnostics in vehicle repairs component removal disassembly reassembly

service repair manuals for chevrolet astro for sale ebay - Jan 12 2023

web get the best deals on service repair manuals for chevrolet astro when you shop the largest online selection at ebay com free shipping on many items browse your favorite brands affordable prices

[chevrolet astro repair service manuals 51 pdf s which repair manual](#) - Aug 19 2023

web chevrolet astro workshop owners service other repair manuals free no ads

astro van repair manual pdf docslib - Feb 01 2022

web chevrolet spark chevrolet colorado chevrolet aveo chevrolet chevy van the production of the chevy astro minivan ranged from the chevrolet astro van was successful especially with large families conversion free chevy astro van repair manual pdf free online

[chevrolet astro repair service manuals 51 pdf s chevy astro van](#) - Sep 08 2022

web chevrolet astro maintenance owners service or repair manuals liberate no ads

chevrolet astro service repair manuals on motor era - Jul 18 2023

web motor era offers service repair manuals for your chevrolet astro download your manual now chevrolet astro service repair manuals complete list of chevrolet astro auto service repair manuals 4l60 4l60e 4l30e automatic gearbox workshop service manual 1990 chevrolet astro service repair manual software

manuals and guides vehicle support chevy chevrolet - May 04 2022

web manuals and guides manuals and other helpful guides for your vehicle view online or if available order printed copies for an additional fee explore chevy vehicle s owner manuals and guides to help guide you with understanding your chevy vehicle

gm chevrolet astro page 1 factory repair manuals - Apr 03 2022

web 1988 chevy astro van electrical diagnosis service manual original general motors corporation 1988 chevy astro van electrical diagnosis service manual all including astro base astro cl astro cs astro lt cargo passenger vans 2 5l i4 4 3l v6

engines published by the general motors corporation schematics st37288edmg

2001 chevrolet astro van 2wd 4 3 workshop manual servicing manuals - Jul 06 2022

web you can view the 2001 chevrolet astro van 2wd 4 3 workshop manual pdf further down the page underneath this intro clicking on the view full screen button will take you to a full screen version of the manual that may be easier to read manual cover interactive pdf manual something wrong report this manual 2001 astro manufacturer chevrolet

general motors astro safari 1985 2005 repair manual chilton s - Feb 13 2023

web jan 1 2008 general motors astro safari 1985 2005 repair manual chilton s total car care repair manuals chilton on amazon com free shipping on qualifying offers

chevy astro van repair service manuals chevrolet astro and - Mar 14 2023

web companies approved and vans because they what also available as very roomy cargo vans we wearing astro manuals published by chilton haynes clymer general motors plus online eautorepair subscriptions from mitchell1 the factory information for the astro is contained in the m l van service manuals from gmc chevrolet for learn astro record

chevy astro van repair service manuals - Jun 05 2022

web chevy astro van repair service manuals homepage factory bentley auto service manuals factory chevrolet gmc truck van suv service manuals chevy astro van repair service manuals the production of the chevy astro minivan ranged from 1985

chevrolet astro service manuals 1994 2003 pdf - May 16 2023

web you can find 4 different repair service workshop manuals for the chevrolet astro on this page that are in the pdf format totally free of charge yearly astro service manuals the years available stretch from 1994 through to 2003 and

chevrolet chevy van free workshop and repair manuals - Oct 09 2022

web chevrolet chevy van workshop repair and owners manuals for all years and models free pdf download for thousands of cars and trucks

chevrolet astro and gmc safari 85 05 haynes repair manual - Jun 17 2023

web chevrolet astro and gmc safari 85 05 haynes repair manual freund ken haynes max on amazon com free shipping on qualifying offers chevrolet astro and gmc safari 85 05 haynes repair manual

harenberg kulturfuhrer kammermusik uniport edu ng - Sep 03 2022

web mar 29 2023 harenberg kulturfuhrer kammermusik 3 5 downloaded from uniport edu ng on march 29 2023 by guest the second vienna school luigi rognoni

harenberg kulturführer kammermusik in searchworks catalog - Oct 04 2022

web select search scope currently catalog all catalog articles website more in one search catalog books media more in the stanford libraries collections articles journal

harenberg kulturfuhrer kammermusik - Nov 05 2022

web harenberg kulturfuhrer kammermusik getting the books harenberg kulturfuhrer kammermusik now is not type of challenging means you could not on your own going

download harenberg kulturfuhrer kammermusik pdf - Nov 24 2021

web easy you simply klick harenberg kulturfuhrer kammermusik story select link on this document and you might targeted to the absolutely free submission type after the free

harenberg kammermusikfuhrer amazon de musik cds vinyl - Dec 26 2021

web label deutsche grammophon production universal music asin b000025u64 herkunftsland deutschland anzahl disks 12 amazon bestseller rang nr 258 787

harenberg kulturfuhrer kammermusik - Feb 08 2023

web merely said the harenberg kulturfuhrer kammermusik is universally compatible with any devices to read musik und kirche 1999 the piano quartet and quintet basil

harenberg kulturfuhrer klaviermusik hardcover amazon com - Oct 24 2021

web harenberg kulturfuhrer klaviermusik on amazon com free shipping on qualifying offers harenberg kulturfuhrer klaviermusik

harenberg kulturfuhrer kammermusik werkbeschreibungen von - Jul 13 2023

web buy harenberg kulturfuhrer kammermusik werkbeschreibungen von über 780 werken der kammermusik biografien von 118 komponisten by isbn 9783411070930 from

harenberg kulturfuhrer konzert amazon de bucher - Mar 29 2022

web der wegweiser durch die konzertsäle der welt der harenberg kulturfuhrer konzert ein konzertfuhrer der extraklasse vermittelt anschaulich und kompetent alles was sie über

[harenberg kulturfuhrer kammermusik abebooks](#) - Jul 01 2022

web harenberg kulturfuhrer kammermusik werkbeschreibungen von über 780 werken der kammermusik biografien von 118 komponisten and a great selection of related books

9783411070930 harenberg kulturfuhrer kammermusik abebooks - May 31 2022

web abebooks com harenberg kulturfuhrer kammermusik 9783411070930 and a great selection of similar new used and collectible books available now at great prices

harenberg kulturfuhrer kammermusik google books - Apr 10 2023

web harenberg kulturfuhrer kammermusik meyers lexikonverlag 2008 chamber music 767 pages 0 reviews reviews aren t verified but google checks for and removes fake

harenberg kulturführer klaviermusik google books - Dec 06 2022

web harenberg kulturführer klaviermusik brigitte esser christian möller klaus stübler richard braun jürgen hotz meyers lexikonverl 2008 chamber music 767 pages

harenberg kulturfuhrer kammermusik book - Jan 07 2023

web feb 25 2023 enjoy now is harenberg kulturfuhrer kammermusik below musikgeschichte ohne markennamen Frédéric Döhl 2019 06 30 klavier plus

harenberg kulturführer kammermusik amazon de books - Mar 09 2023

web hello sign in account lists returns orders shopping basket

download harenberg kulturführer kammermusik pdf - Jan 27 2022

web easy you simply klick harenberg kulturführer kammermusik arrange take tie on this posting with you does earmarked to the able registration style after the free registration

harenberg kulturfuhrer kammermusik - Apr 29 2022

web harenberg kulturfuhrer kammermusik 3 3 of comparative material this integrated look at mahler and strauss discloses provocative revelations about the two greatest western

harenberg kulturführer kammermusik amazon de bücher - Aug 14 2023

web der harenberg kulturführer kammermusik zeigt die kammermusik in all ihren facetten von solokonzerten über streichquartette bis zu nonetten der leser erfährt

harenberg kulturführer kammermusik hardcover amazon com - May 11 2023

web harenberg kulturführer kammermusik on amazon com free shipping on qualifying offers harenberg kulturführer kammermusik

harenberg kulturfuhrer klaviermusik - Aug 02 2022

web harenberg kulturfuhrer klaviermusik 2 5 downloaded from uniport edu ng on june 8 2023 by guest letters of heinrich and thomas mann 1900 1949 thomas mann 1998 01 01

harenberg chormusikführer vom kammerchor bis zum - Feb 25 2022

web bei amazon verkaufen harenberg chormusikführer vom kammerchor bis zum oratorium harenberg künstler buch künstler various komponist format gebundene

harenberg kulturführer kammermusik by esser brigitte möller - Jun 12 2023

web harenberg kulturführer kammermusik esser brigitte möller christian stübler klaus redaktion

fantasies 2011 kalender pdf pdf gestudy byu edu - Jul 01 2022

web may 30 2023 we find the money for fantasies 2011 kalender pdf and numerous books collections from fictions to

fantasies 2011 kalender von luis royo kalender portofrei - Jun 12 2023

web jetzt ohne mindestbestellwert portofrei online kaufen fantasies 2011 kalender stöbern sie im onlineshop von buecher de und kaufen sie ihre artikel versandkostenfrei und

fantasies 2011 kalender by heye banpaen - Apr 29 2022

web jun 11 2023 the fantasies 2011 kalender by heye it is wholly basic then now we extend the associate to buy and create bargains to download and deploy fantasies 2011 kalender by heye therefore basic

download pdf fantasies 2011 kalender thats chaiming - Sep 03 2022

web jul 9 2015 fantasies 2011 kalender also includes the intriguing product packaging beginning with the cover layout and its title just how the author brings the readers to obtain right into the words as well as exactly how the writer informs the material wonderfully fantasies 2011 kalender download pdf fantasies 2011 kalender

9783832015268 fantasy 2011 trends classics kalender - Dec 06 2022

web fantasy 2011 trends classics kalender finden sie alle bücher von bei der büchersuchmaschine eurobuch com können sie antiquarische und neubücher vergleichen und sofort zum bestpreis bestellen 9783832015268 lassen sie sich von diesem kalender verzaubern und entführen in eine andere welt mit

fantasies synonyms 43 synonyms antonyms for fantasies - Feb 25 2022

web find 43 ways to say fantasies along with antonyms related words and example sentences at thesaurus com the world s most trusted free thesaurus

fantasies calendario 2011 large 50 x 70 amazon es libros - Feb 08 2023

web fantasies calendario 2011 large 50 x 70 amazon es libros saltar al contenido principal es hola elige tu dirección todos los departamentos selecciona el departamento que quieras buscar buscar amazon es es hola identifícate

9783840114342 fantasies 2013 kalender luis royo - Oct 04 2022

web fantasies 2013 kalender finden sie alle bücher von luis royo bei der büchersuchmaschine eurobuch com können sie antiquarische und neubücher vergleichen und sofort zum bestpreis bestellen 9783840114342 luis royos fantasies kann man schon fast als klassiker der erotischen fantasy bezeichnen seine

download fantasies 2011 kalender pdf blogger - Nov 05 2022

web fantasies 2011 kalender you may acquire this ebook i have downloads as a pdf kindle word txt ppt rar and zip available are multiple finances in the world that would build our expertise one amongst them is the manuscript entitled fantasies 2011 kalender by this book gives the reader new knowledge and experience

fantasies 2011 kalender heye amazon de books - May 11 2023

web may 1 2010 hello sign in account lists returns orders shopping basket

9783840101366 fantasies 2011 kalender luis royo - Aug 14 2023

web fantasies 2011 kalender finden sie alle bücher von luis royo bei der büchersuchmaschine eurobuch.com können sie antiquarische und neubücher vergleichen und sofort zum bestpreis bestellen 9783840101366 ed pappe pu heye royo kalender 70 x 50 cm mit top bildern jahr 1998 wie neu als kalender

amazon.de kundenrezensionen fantasies 2011 kalender - Mar 09 2023

web finde hilfreiche kundenrezensionen und rezensionsbewertungen für fantasies 2011 kalender auf amazon.de lese ehrliche und unvoreingenommene rezensionen von unseren nutzern