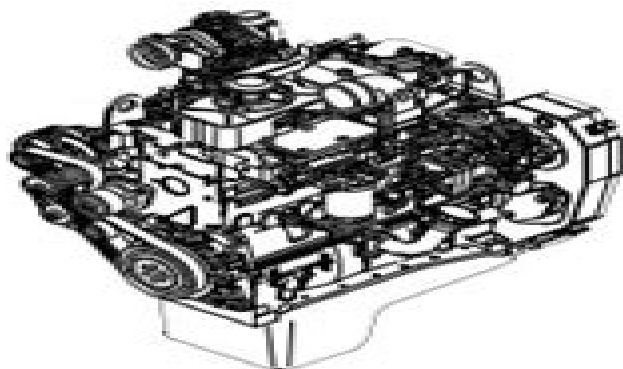
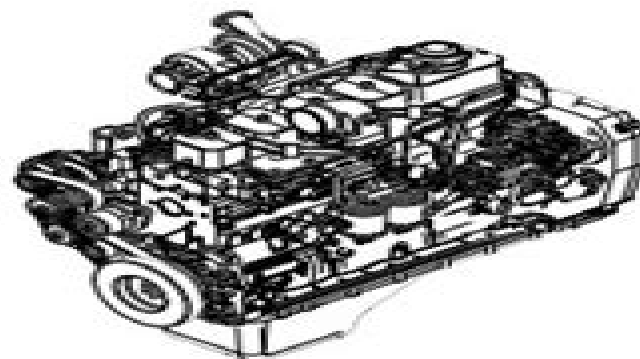

REPAIR MANUAL FOR ENGINES

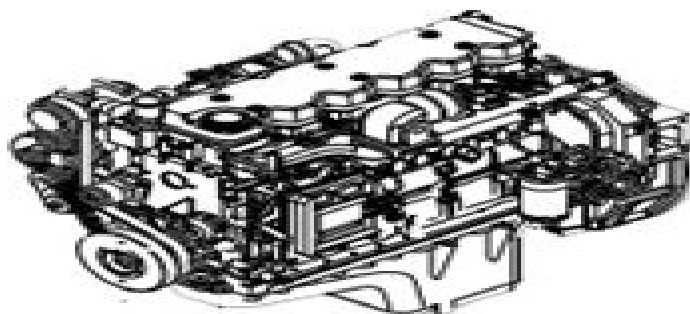
F4GE0484E - F4GE0684F - F4HE0684J



F4GE0484E



F4GE0684F



F4HE0684J

Every information, illustration and specification contained in the present manual is based on the most recent information available at the time of printing.

CNH France S.A. reserves the right, to modify the text at any time without prior communication.

Iveco Engine 806manual

**C. Bassoli,G. M. Cornetti,F.
Cuniberti,Society of Automotive
Engineers**

Iveco Engine 806manual:

IVECO Diesel Engine Family for Medium Duty Vehicles C. Bassoli,G. M. Cornetti,F. Cuniberti,Society of Automotive Engineers,1982

Ignite the flame of optimism with Get Inspired by is motivational masterpiece, Find Positivity in **Iveco Engine 806manual** . In a downloadable PDF format (*), this ebook is a beacon of encouragement. Download now and let the words propel you towards a brighter, more motivated tomorrow.

<https://staging.conocer.cide.edu/files/browse/Documents/limpopo%20grade%201economics%20p1.pdf>

Table of Contents Iveco Engine 806manual

1. Understanding the eBook Iveco Engine 806manual
 - The Rise of Digital Reading Iveco Engine 806manual
 - Advantages of eBooks Over Traditional Books
2. Identifying Iveco Engine 806manual
 - Exploring Different Genres
 - Considering Fiction vs. Non-Fiction
 - Determining Your Reading Goals
3. Choosing the Right eBook Platform
 - Popular eBook Platforms
 - Features to Look for in an Iveco Engine 806manual
 - User-Friendly Interface
4. Exploring eBook Recommendations from Iveco Engine 806manual
 - Personalized Recommendations
 - Iveco Engine 806manual User Reviews and Ratings
 - Iveco Engine 806manual and Bestseller Lists
5. Accessing Iveco Engine 806manual Free and Paid eBooks
 - Iveco Engine 806manual Public Domain eBooks
 - Iveco Engine 806manual eBook Subscription Services
 - Iveco Engine 806manual Budget-Friendly Options
6. Navigating Iveco Engine 806manual eBook Formats

- ePub, PDF, MOBI, and More
 - Iveco Engine 806manual Compatibility with Devices
 - Iveco Engine 806manual Enhanced eBook Features
7. Enhancing Your Reading Experience
 - Adjustable Fonts and Text Sizes of Iveco Engine 806manual
 - Highlighting and Note-Taking Iveco Engine 806manual
 - Interactive Elements Iveco Engine 806manual
 8. Staying Engaged with Iveco Engine 806manual
 - Joining Online Reading Communities
 - Participating in Virtual Book Clubs
 - Following Authors and Publishers Iveco Engine 806manual
 9. Balancing eBooks and Physical Books Iveco Engine 806manual
 - Benefits of a Digital Library
 - Creating a Diverse Reading Collection Iveco Engine 806manual
 10. Overcoming Reading Challenges
 - Dealing with Digital Eye Strain
 - Minimizing Distractions
 - Managing Screen Time
 11. Cultivating a Reading Routine Iveco Engine 806manual
 - Setting Reading Goals Iveco Engine 806manual
 - Carving Out Dedicated Reading Time
 12. Sourcing Reliable Information of Iveco Engine 806manual
 - Fact-Checking eBook Content of Iveco Engine 806manual
 - Distinguishing Credible Sources
 13. Promoting Lifelong Learning
 - Utilizing eBooks for Skill Development
 - Exploring Educational eBooks
 14. Embracing eBook Trends
 - Integration of Multimedia Elements
 - Interactive and Gamified eBooks

Iveco Engine 806manual Introduction

In this digital age, the convenience of accessing information at our fingertips has become a necessity. Whether its research papers, eBooks, or user manuals, PDF files have become the preferred format for sharing and reading documents. However, the cost associated with purchasing PDF files can sometimes be a barrier for many individuals and organizations. Thankfully, there are numerous websites and platforms that allow users to download free PDF files legally. In this article, we will explore some of the best platforms to download free PDFs. One of the most popular platforms to download free PDF files is Project Gutenberg. This online library offers over 60,000 free eBooks that are in the public domain. From classic literature to historical documents, Project Gutenberg provides a wide range of PDF files that can be downloaded and enjoyed on various devices. The website is user-friendly and allows users to search for specific titles or browse through different categories. Another reliable platform for downloading Iveco Engine 806manual free PDF files is Open Library. With its vast collection of over 1 million eBooks, Open Library has something for every reader. The website offers a seamless experience by providing options to borrow or download PDF files. Users simply need to create a free account to access this treasure trove of knowledge. Open Library also allows users to contribute by uploading and sharing their own PDF files, making it a collaborative platform for book enthusiasts. For those interested in academic resources, there are websites dedicated to providing free PDFs of research papers and scientific articles. One such website is Academia.edu, which allows researchers and scholars to share their work with a global audience. Users can download PDF files of research papers, theses, and dissertations covering a wide range of subjects. Academia.edu also provides a platform for discussions and networking within the academic community. When it comes to downloading Iveco Engine 806manual free PDF files of magazines, brochures, and catalogs, Issuu is a popular choice. This digital publishing platform hosts a vast collection of publications from around the world. Users can search for specific titles or explore various categories and genres. Issuu offers a seamless reading experience with its user-friendly interface and allows users to download PDF files for offline reading. Apart from dedicated platforms, search engines also play a crucial role in finding free PDF files. Google, for instance, has an advanced search feature that allows users to filter results by file type. By specifying the file type as "PDF," users can find websites that offer free PDF downloads on a specific topic. While downloading Iveco Engine 806manual free PDF files is convenient, its important to note that copyright laws must be respected. Always ensure that the PDF files you download are legally available for free. Many authors and publishers voluntarily provide free PDF versions of their work, but its essential to be cautious and verify the authenticity of the source before downloading Iveco Engine 806manual. In conclusion, the internet offers numerous platforms and websites that allow users to download free PDF files legally. Whether its classic literature, research papers, or magazines, there is something for everyone. The platforms mentioned in this article, such as Project Gutenberg, Open Library, Academia.edu, and Issuu, provide access to a vast collection of PDF files. However, users should always be

cautious and verify the legality of the source before downloading Iveco Engine 806manual any PDF files. With these platforms, the world of PDF downloads is just a click away.

FAQs About Iveco Engine 806manual Books

How do I know which eBook platform is the best for me? Finding the best eBook platform depends on your reading preferences and device compatibility. Research different platforms, read user reviews, and explore their features before making a choice. Are free eBooks of good quality? Yes, many reputable platforms offer high-quality free eBooks, including classics and public domain works. However, make sure to verify the source to ensure the eBook credibility. Can I read eBooks without an eReader? Absolutely! Most eBook platforms offer webbased readers or mobile apps that allow you to read eBooks on your computer, tablet, or smartphone. How do I avoid digital eye strain while reading eBooks? To prevent digital eye strain, take regular breaks, adjust the font size and background color, and ensure proper lighting while reading eBooks. What the advantage of interactive eBooks? Interactive eBooks incorporate multimedia elements, quizzes, and activities, enhancing the reader engagement and providing a more immersive learning experience. Iveco Engine 806manual is one of the best book in our library for free trial. We provide copy of Iveco Engine 806manual in digital format, so the resources that you find are reliable. There are also many Ebooks of related with Iveco Engine 806manual. Where to download Iveco Engine 806manual online for free? Are you looking for Iveco Engine 806manual PDF? This is definitely going to save you time and cash in something you should think about. If you trying to find then search around for online. Without a doubt there are numerous these available and many of them have the freedom. However without doubt you receive whatever you purchase. An alternate way to get ideas is always to check another Iveco Engine 806manual. This method for see exactly what may be included and adopt these ideas to your book. This site will almost certainly help you save time and effort, money and stress. If you are looking for free books then you really should consider finding to assist you try this. Several of Iveco Engine 806manual are for sale to free while some are payable. If you arent sure if the books you would like to download works with for usage along with your computer, it is possible to download free trials. The free guides make it easy for someone to free access online library for download books to your device. You can get free download on free trial for lots of books categories. Our library is the biggest of these that have literally hundreds of thousands of different products categories represented. You will also see that there are specific sites catered to different product types or categories, brands or niches related with Iveco Engine 806manual. So depending on what exactly you are searching, you will be able to choose e books to suit your own need. Need to access completely for Campbell Biology Seventh Edition book? Access Ebook without any digging. And by having access to our ebook online or by storing it on your computer, you have convenient answers with Iveco Engine

806manual To get started finding Iveco Engine 806manual, you are right to find our website which has a comprehensive collection of books online. Our library is the biggest of these that have literally hundreds of thousands of different products represented. You will also see that there are specific sites catered to different categories or niches related with Iveco Engine 806manual So depending on what exactly you are searching, you will be able to choose ebook to suit your own need. Thank you for reading Iveco Engine 806manual. Maybe you have knowledge that, people have search numerous times for their favorite readings like this Iveco Engine 806manual, but end up in harmful downloads. Rather than reading a good book with a cup of coffee in the afternoon, instead they juggled with some harmful bugs inside their laptop. Iveco Engine 806manual is available in our book collection an online access to it is set as public so you can download it instantly. Our digital library spans in multiple locations, allowing you to get the most less latency time to download any of our books like this one. Merely said, Iveco Engine 806manual is universally compatible with any devices to read.

Find Iveco Engine 806manual :

limpopo grade 1 economics p1

~~linhai workshop manual~~

limpopo grade mathematics pnovember 2013 memo

~~linear functions pi unit 3 lesson 1~~

~~lincoln ls fuse box diagram 2001~~

linhai 300 parts manual

~~lincoln navigator body parts user manual~~

~~limpopo grade 11 2013 final paper~~

~~limpopo english fal p2 september 2014 question paper~~

limpopo nursing colleges intake

limpopo mathematics paper november 2013 memo

linhai atv model 8260 250cc 360cc full service repair manual

limpopo physical science pseptember 2014

lingo ttx 52 xplorer 52 user guide

linear algebra its applications solutions manual

Iveco Engine 806manual :

ariens 936040 54 precision hydro tractor operator s manual - Nov 10 2022

936053 46 hydro tractor 2 how to use this manual this manual is designed to provide the customer with a means to identify the parts on his her tractor when ordering repair parts

ariens 936048 operator s manual pdf download - Oct 09 2022

list of ariens lawn tractor models model code engine displacement and horsepower years of production search for home ariens lawn tractors ariens lawn tractors lawn tractors

ariens 936051 operator s manual pdf download - Jul 18 2023

summary of contents for ariens 936051 page 2 hydro tractor operator manual models 936051 42 hydro tractor gasoline containing up to 10 ethanol e10 or up to 10 mtbe

list of ariens lawn tractor models tractor specs - May 04 2022

936042 42 hydro tractor apache ariens com - Jul 06 2022

ariens 936042 960460011 00 42 hydro tractor exploded view parts lookup by model complete exploded views of all the major manufacturers it is easy and free

ariens 936042 960460011 00 42 hydro tractor parts diagrams - Feb 01 2022

ariens 936042 000101 hydro tractor 42 lawn - Apr 15 2023

view and download ariens 936040 54 precision hydro tractor operator s manual online 54 precision hydro tractor 936040 54 precision hydro tractor tractor pdf manual download

tractordata com ariens s 16h tractor information - May 16 2023

do you need to fetch the document for your ariens hydro tractor model 936038 download the free pdf manual from the official website and learn how to operate and maintain your

lawn tractor maintenance ariens youtube - Aug 07 2022

ariens manuals snow blower hydro pro 28 ariens hydro pro 28 manuals manuals and user guides for ariens hydro pro 28 we have 2 ariens hydro pro 28 manuals available for free

ariens 936053 000101 hydro tractor 46 lawn - Feb 13 2023

ariens 936038 960460002 00 42 hydro tractor parts diagrams parts lookup enter a part number or partial description to search for parts within this model there are 297 parts used

ariens 936042 operator s manual pdf - Mar 14 2023

view and download ariens 936048 operator s manual online 42 hydro tractor 936048 lawn mower pdf manual download
ariens 936053 operator s manual pdf download - Jun 17 2023

view and download ariens 936053 operator s manual online 46 inch hydro tractor 936053 tractor pdf manual download sign inupload

ariens 936038 42 hydro tractor operator s manual - Sep 20 2023

view and download ariens 936038 42 hydro tractor operator s manual online 42 hydro tractor 936038 42 hydro tractor tractor pdf manual download also for 936038

ariens 936038 960460002 00 42 hydro tractor parts diagrams - Sep 08 2022

ariens lawn tractor transaxle hydro ariens usa united kingdom europe canada ariens lawn tractor transaxle hydro part number 03668900 based on 0 reviews write a

ariens hydro pro 28 manuals manualslib - Mar 02 2022

936053 46 hydro tractor ariensco - Jun 05 2022

ariens 936038 000101 42 hydro tractor parts we sell only genuine ariens parts find part by symptom choose a symptom to view parts that fix it won t steer correctly 22 blades

ariens 936038 000101 42 hydro tractor parts - Dec 31 2021

ariensco - Dec 11 2022

hydro tractor parts manual models 936042 42 hydro tractor english 431473 rev 11 21547262k 07 30 11 printed in the u s a how to use this manual this manual is

hydro tractor ariensco - Aug 19 2023

936038 42 hydro tractor 2 how to use this manual this manual is designed to provide the customer with a means to identify the parts on his her tractor 18 183399x428 21546225

ariens lawn tractor 46 riding lawn mower 936053 - Jan 12 2023

may 6 2014 learn how to perform routine maintenance on an ariens lawn tractor to ensure reliable legendary performance
ariens lawn tractor transaxle hydro - Apr 03 2022

beyond the body farm a legendary bone detective explores murders - Feb 15 2023

web nov 11 2008 beyond the body farm is an extraordinary journey through some of the most fascinating investigations of dr bass s career and a remarkable look at the high tech science used to crack the most perplexing cases

bbc one the body farm - Jan 02 2022

web the body farm crime drama series following eve lockhart one of britain s leading forensic pathologists and her team of scientists at a state of the art forensic research facility on iplayer

editions of beyond the body farm a legendary bone detective - Jun 19 2023

web sep 1 2004 published september 4th 2007 by william morrow hardcover 282 pages more details want to read rate this book 1 of 5 stars 2 of 5 stars 3 of 5 stars 4 of 5 stars 5 of 5 stars beyond the body farm a legendary bone detective explores murders mysteries and the revolution in forensic science kindle edition

beyond the body farm a legendary bone detective explores - Mar 16 2023

web beyond the body farm a legendary bone detective explores murders mysteries and the revolution in forensic science ebook written by dr bill bass jon jefferson read this book using google play books app on your pc android ios devices

beyond the body farm a legendary bone detective explores - Jan 14 2023

web beyond the body farm is an extraordinary journey through some of the most fascinating investigations of dr bass s career and a remarkable look at the high tech science used to crack the most perplexing cases

the body farm tv mini series 2011 2012 imdb - Feb 03 2022

web the body farm created by declan croghan with tara fitzgerald keith allen wunmi mosaku mark bazeley a british police procedural which follows the team from a forensic pathology facility that conducts scientific research to help solve crimes

pdf beyond the body farm a legendary bone detective - Mar 04 2022

web jun 5 2020 ebooks beyond the body farm a legendary bone detective explores murder mysteries and the revolution in forensic science are created for different causes the obvious cause would be to offer it and earn money

beyond the body farm a legendary bone detective e - May 06 2022

web beyond the body farm a legendary bone detective e the bone sword sep 01 2021 deserter on the run malik emerges from the swamps of plaiden seeking only shelter food and the time necessary to take the chill from his bones but after a barroom brawl lands him in trouble with the local authorities he flees

beyond the body farm a legendary bone detective explores - Jun 07 2022

web beyond the body farm a legendary bone detective explores murders mysteries and the revolution in forensic science william m bass jon jefferson 282 pages first pub 2004 editions

beyond the body farm a legendary bone detective explor - Oct 23 2023

web sep 1 2004 beyond the body farm a legendary bone detective explores murders mysteries and the revolution in forensic science william m bass jon jefferson 4 23 7 287 ratings 387 reviews there is no scientist in the world like dr bill bass

beyond the body farm 9780060875282 9780061854392 - Oct 11 2022

web beyond the body farm a legendary bone detective explores murders mysteries and the revolution in forensic science is written by dr bill bass jon jefferson and published by harpercollins e books the digital and etextbook isbn for beyond the body farm are 9780061854392 0061854395 and the print isbn are 9780060875282 0060875283

beyond the body farm a legendary bone detective explores - Sep 10 2022

web beyond the body farm a legendary bone detective explores murders mysteries and the revolution in forensic science ebook bass dr bill amazon com au kindle store

beyond the body farm a legendary bone detective explores - Aug 09 2022

web amazon com beyond the body farm a legendary bone detective explores murder mysteries and the revolution in forensic science audible audio edition dr bill bass jon jefferson tom mckee harperaudio books

beyond the body farm a legendary bone detective e - Apr 05 2022

web beyond the body farm a legendary bone detective e carved in bone feb 02 2023 if you like kathy reiche you ll like jefferson bass the times a woman s corpse lies hidden in a cave in the mountains of east tennessee undiscovered for thirty years her body has been transformed into a near perfect mummy

beyond the body farm a legendary bone detective e book - Nov 12 2022

web beyond the body farm a legendary bone detective e bones to ashes oct 14 2022 discovering the skeleton of a young girl in the neighborhood of a childhood best friend who had gone missing thirty years earlier tempe brennan investigates suspicions that victim and her friend are one and the same brown gumshoes dec 12 2019

beyond the body farm a legendary bone detective explores - May 18 2023

web beyond the body farm a legendary bone detective explores murders mysteries and the revolution in forensic science bill bass jon jefferson william m bass morrow 25 95 304pp isbn 978

beyond the body farm a legendary bone detective explores murders - Sep 22 2023

web nov 11 2008 beyond the body farm a legendary bone detective explores murders mysteries and the revolution in forensic science bass dr bill jefferson jon on amazon com free shipping on qualifying offers

beyond the body farm a legendary bone detective explores - Apr 17 2023

web but during a forensics career that spans half a century bass and his work have ranged far beyond the gates of the body farm in this riveting book the bone sleuth explores the rise of modern forensic science using fascinating cases from his career to take readers into the real world of c s i

beyond the body farm a legendary bone detective explores murders - Jul 08 2022

web a pioneer in forensic anthropology dr bill bass created the world s first laboratory dedicated to the study of human decomposition three acres on a hillside

beyond the body farm a legendary bone detective explores - Dec 13 2022

web nov 24 2011 beyond the body farm a legendary bone detective explores murders mysteries and the revolution in forensic science authors dr bill bass jefferson bass jon jefferson publisher quercus 2011 isbn 1849166064 9781849166065 length 352 pages subjects

beyond the body farm a legendary bone detective explores murders - Aug 21 2023

web oct 13 2009 beyond the body farm a legendary bone detective explores murders mysteries and the revolution in forensic science kindle edition by bass bill jefferson jon download it once and read it on your kindle device pc phones or tablets

beyond the body farm a legendary bone detective explores - Jul 20 2023

web beyond the body farm a legendary bone detective explores murders mysteries and the revolution in forensic science bass dr bill jefferson jon amazon sg books

coccarde tricolori speciale m 346 vol 9 abebooks it - Apr 12 2023

web coccarde tricolori speciale m 346 vol 9 di niccoli riccardo su abebooks it isbn 10 8895011163 isbn 13 9788895011165 rn publishing 2019 brossura

coccarde tricolori speciale m 346 vol 9 amazon it - Jun 14 2023

web coccarde tricolori speciale m 346 vol 9 niccoli riccardo amazon it libri

m 346 by book scalemates - Aug 16 2023

web m 346 dizi coccarde tricolori speciale hacim nr 9 isbn 13 978 88 95011 16 5 format karton kapaklı kitap sayfalar 144 pages boyutlar 210 297 dil italian english yayınlandı 2019 yayımcı rn publishing konu alenia m 346 master jets aircraft yorumlar we don t know about any reviews for this book m 346 9 by

m 346 coccarde tricolori speciale band 9 pdf ftp cosyclub co - Jun 02 2022

web m 346 coccarde tricolori speciale band 9 downloaded from ftp cosyclub co uk by guest liu aniyah international air power review random house vocal score f 16a air defence fighter routledge this work has been selected by scholars as being culturally important and is part of the knowledge base of civilization as we know it

m 346 coccarde tricolori speciale band 9 pdf - Jul 03 2022

web m 346 coccarde tricolori speciale band 9 1 m 346 coccarde tricolori speciale band 9 m 346 coccarde tricolori speciale band 9 downloaded from analytics budgetbakers com by guest nicholson lilly best sellers books adult children of emotionally immature parents how to heal from distant rejecting or self involved parents by

coccarde tricolori speciale 9 rn publishing - May 13 2023

web m 346 il nono titolo della collana speciale è dedicato al nuovo addestratore di casa leonardo che vola con i colori italiani

ma che ha raccolto e sta raccogliendo successi di vendita anche presso importanti forze aeree straniere
m 346 coccarde tricolori speciale band 9 full pdf - Mar 31 2022

web m 346 coccarde tricolori speciale band 9 5 5 eight topic based units with focused exam preparation to maximise the performance of school age learners units are divided in the order of the exam with pages on reading writing listening and speaking a grammar reference covers key areas in the syllabus and unit based wordlists include target
m 346 by book scalemates - Jul 15 2023

web m 346 series coccarde tricolori speciale volume nr 9 isbn 13 978 88 95011 16 5 format paperback pages 144 pages dimensions 210 297 language italian english released 2019 publisher rn publishing topic alenia m 346 master jets aircraft reviews we don t know about any reviews for this book m 346 9 by
m 346 by book scalemates - Feb 10 2023

web m 346 sarja coccarde tricolori speciale tilavuus nr 9 isbn 13 978 88 95011 16 5 format pokkari sivut 144 pages mitat 210 297 kieli italian english julkaisi 2019 kustantaja rn publishing aihe alenia m 346 master jets aircraft arvostelut we don t know about any reviews for this book m 346 9 by

m346coccardetricolorispecialeband9 pdf logs erpNext - Jan 29 2022

web m346coccardetricolorispecialeband9 1 m346coccardetricolorispecialeband9 m346coccardetricolorispecialeband9 downloaded from logs erpNext com by guest hester tyrese

m 346 by book scalemates - Dec 08 2022

web m 346 Серије coccarde tricolori speciale Том no 9 isbn 13 978 88 95011 16 5 format Меке корице Странице 144 странице Величине 210 297 Језик italian english Издао 2019 Издавач rn publishing Тематика
m 346 coccarde tricolori speciale band 9 pdf vempravia com - Oct 06 2022

web coccarde tricolori speciale 9 m 346 coccarde tricolori speciale an interactive introduction to aviation that encourages children to imagine themselves in the air flying a plane l ala d italia rivista mensile di aeronautica basic books provides a close up look at 650 different aircraft and profiles the inventors engineers and pilots who
m 346 coccarde tricolori speciale band 9 download only - Feb 27 2022

web broadcast m 346 coccarde tricolori speciale band 9 that you are looking for it will unconditionally squander the time however below in the manner of you visit this web page it will be as a result very simple to acquire as capably as download guide m 346 coccarde tricolori speciale band 9
m 346 by book - Mar 11 2023

web m 346 series coccarde tricolori speciale volume nr 9 isbn 13 978 88 95011 16 5 format paperback pages 144 pages dimensions 210 297 language italian english released 2019 publisher rn publishing topic alenia m 346 master jets aircraft

reviews we don't know about any reviews for this book m 346 9 by

m 346 coccarde tricolori speciale band 9 pdf copy - Sep 05 2022

web m 346 coccarde tricolori speciale band 9 pdf upload betty g paterson 2 5 downloaded from features.kualumni.org on september 6 2023 by betty g paterson history of the italian agricultural landscape emilio sereni 2014 07 14 emilio sereni's classic work is now available in an english language edition

m 346 coccarde tricolori speciale band 9 verify meetcircle - Aug 04 2022

web 2 m 346 coccarde tricolori speciale band 9 2020 09 18 in the napoleonic years it is a study not only of an early exercise in imperialism but of the conflict that is aroused between the rationalising tendencies of the modern state and the spatial and cultural heterogeneity of individual societies as well as a history

coccarde tricolori speciale 9 m 346 hoepli it - Jan 09 2023

web coccarde tricolori speciale 9 m 346 è un libro di niccoli riccardo edito da rn publishing a dicembre 2019 ean 9788895011165 collana coccarde tricolori speciale dimensioni 317 x 7 x 208 mm illustration notes 230 colour photos 6 colour profiles 1 four view drawing

m 346 coccarde tricolori speciale band 9 pdf - Nov 07 2022

web m 346 coccarde tricolori speciale band 9 3 3 remains the last word on the subject making history oxford university press usa i can think of no finer writer to have beside me while italy explodes britain burns while the world ends salman rushdie from the age of twelve the baron cosimo piovasco di rondo makes his home among ash elm

m 346 coccarde tricolori speciale band 9 copy qr bonide - May 01 2022

web coccarde tricolori speciale 9 m 346 historical essay on the neapolitan revolution of 1799 f 16a air defence fighter nuova antologia m 346 coccarde tricolori speciale band 9 downloaded from qr bonide.com by guest kelley ximena the baron in the trees white this is the second in the new modelling manual series which sets out to help the

old talentsprint.com - Dec 28 2021

web old talentsprint.com