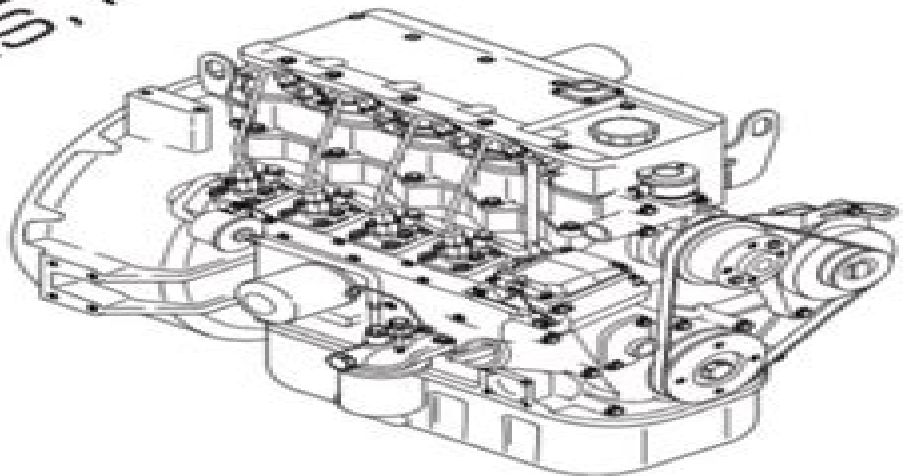


0D9255

GENERAC[®]
POWER SYSTEMS, INC.



2.2 LITER
DIESEL

ISUZU

***ENGINE
PARTS
MANUAL***

Isuzu Diesel Motor Manual

SA Dillow



Isuzu Diesel Motor Manual:

Right here, we have countless ebook **Isuzu Diesel Motor Manual** and collections to check out. We additionally give variant types and plus type of the books to browse. The tolerable book, fiction, history, novel, scientific research, as well as various supplementary sorts of books are readily understandable here.

As this Isuzu Diesel Motor Manual, it ends happening monster one of the favored ebook Isuzu Diesel Motor Manual collections that we have. This is why you remain in the best website to see the amazing ebook to have.

<https://staging.conocer.cide.edu/book/book-search/fetch.php/Honda%20Watercraft%20Manual.pdf>

Table of Contents Isuzu Diesel Motor Manual

1. Understanding the eBook Isuzu Diesel Motor Manual
 - The Rise of Digital Reading Isuzu Diesel Motor Manual
 - Advantages of eBooks Over Traditional Books
2. Identifying Isuzu Diesel Motor Manual
 - Exploring Different Genres
 - Considering Fiction vs. Non-Fiction
 - Determining Your Reading Goals
3. Choosing the Right eBook Platform
 - Popular eBook Platforms
 - Features to Look for in an Isuzu Diesel Motor Manual
 - User-Friendly Interface
4. Exploring eBook Recommendations from Isuzu Diesel Motor Manual
 - Personalized Recommendations
 - Isuzu Diesel Motor Manual User Reviews and Ratings
 - Isuzu Diesel Motor Manual and Bestseller Lists
5. Accessing Isuzu Diesel Motor Manual Free and Paid eBooks
 - Isuzu Diesel Motor Manual Public Domain eBooks

- Isuzu Diesel Motor Manual eBook Subscription Services
- Isuzu Diesel Motor Manual Budget-Friendly Options
- 6. Navigating Isuzu Diesel Motor Manual eBook Formats
 - ePub, PDF, MOBI, and More
 - Isuzu Diesel Motor Manual Compatibility with Devices
 - Isuzu Diesel Motor Manual Enhanced eBook Features
- 7. Enhancing Your Reading Experience
 - Adjustable Fonts and Text Sizes of Isuzu Diesel Motor Manual
 - Highlighting and Note-Taking Isuzu Diesel Motor Manual
 - Interactive Elements Isuzu Diesel Motor Manual
- 8. Staying Engaged with Isuzu Diesel Motor Manual
 - Joining Online Reading Communities
 - Participating in Virtual Book Clubs
 - Following Authors and Publishers Isuzu Diesel Motor Manual
- 9. Balancing eBooks and Physical Books Isuzu Diesel Motor Manual
 - Benefits of a Digital Library
 - Creating a Diverse Reading Collection Isuzu Diesel Motor Manual
- 10. Overcoming Reading Challenges
 - Dealing with Digital Eye Strain
 - Minimizing Distractions
 - Managing Screen Time
- 11. Cultivating a Reading Routine Isuzu Diesel Motor Manual
 - Setting Reading Goals Isuzu Diesel Motor Manual
 - Carving Out Dedicated Reading Time
- 12. Sourcing Reliable Information of Isuzu Diesel Motor Manual
 - Fact-Checking eBook Content of Isuzu Diesel Motor Manual
 - Distinguishing Credible Sources
- 13. Promoting Lifelong Learning
 - Utilizing eBooks for Skill Development
 - Exploring Educational eBooks

14. Embracing eBook Trends

- Integration of Multimedia Elements
- Interactive and Gamified eBooks

Isuzu Diesel Motor Manual Introduction

Free PDF Books and Manuals for Download: Unlocking Knowledge at Your Fingertips In today's fast-paced digital age, obtaining valuable knowledge has become easier than ever. Thanks to the internet, a vast array of books and manuals are now available for free download in PDF format. Whether you are a student, professional, or simply an avid reader, this treasure trove of downloadable resources offers a wealth of information, conveniently accessible anytime, anywhere. The advent of online libraries and platforms dedicated to sharing knowledge has revolutionized the way we consume information. No longer confined to physical libraries or bookstores, readers can now access an extensive collection of digital books and manuals with just a few clicks. These resources, available in PDF, Microsoft Word, and PowerPoint formats, cater to a wide range of interests, including literature, technology, science, history, and much more. One notable platform where you can explore and download free Isuzu Diesel Motor Manual PDF books and manuals is the internet's largest free library. Hosted online, this catalog compiles a vast assortment of documents, making it a veritable goldmine of knowledge. With its easy-to-use website interface and customizable PDF generator, this platform offers a user-friendly experience, allowing individuals to effortlessly navigate and access the information they seek. The availability of free PDF books and manuals on this platform demonstrates its commitment to democratizing education and empowering individuals with the tools needed to succeed in their chosen fields. It allows anyone, regardless of their background or financial limitations, to expand their horizons and gain insights from experts in various disciplines. One of the most significant advantages of downloading PDF books and manuals lies in their portability. Unlike physical copies, digital books can be stored and carried on a single device, such as a tablet or smartphone, saving valuable space and weight. This convenience makes it possible for readers to have their entire library at their fingertips, whether they are commuting, traveling, or simply enjoying a lazy afternoon at home. Additionally, digital files are easily searchable, enabling readers to locate specific information within seconds. With a few keystrokes, users can search for keywords, topics, or phrases, making research and finding relevant information a breeze. This efficiency saves time and effort, streamlining the learning process and allowing individuals to focus on extracting the information they need. Furthermore, the availability of free PDF books and manuals fosters a culture of continuous learning. By removing financial barriers, more people can access educational resources and pursue lifelong learning, contributing to personal growth and professional development. This democratization of knowledge promotes intellectual curiosity and empowers individuals to become lifelong learners, promoting progress and innovation in various fields. It is worth noting that while

accessing free Isuzu Diesel Motor Manual PDF books and manuals is convenient and cost-effective, it is vital to respect copyright laws and intellectual property rights. Platforms offering free downloads often operate within legal boundaries, ensuring that the materials they provide are either in the public domain or authorized for distribution. By adhering to copyright laws, users can enjoy the benefits of free access to knowledge while supporting the authors and publishers who make these resources available. In conclusion, the availability of Isuzu Diesel Motor Manual free PDF books and manuals for download has revolutionized the way we access and consume knowledge. With just a few clicks, individuals can explore a vast collection of resources across different disciplines, all free of charge. This accessibility empowers individuals to become lifelong learners, contributing to personal growth, professional development, and the advancement of society as a whole. So why not unlock a world of knowledge today? Start exploring the vast sea of free PDF books and manuals waiting to be discovered right at your fingertips.

FAQs About Isuzu Diesel Motor Manual Books

1. Where can I buy Isuzu Diesel Motor Manual books? Bookstores: Physical bookstores like Barnes & Noble, Waterstones, and independent local stores. Online Retailers: Amazon, Book Depository, and various online bookstores offer a wide range of books in physical and digital formats.
2. What are the different book formats available? Hardcover: Sturdy and durable, usually more expensive. Paperback: Cheaper, lighter, and more portable than hardcovers. E-books: Digital books available for e-readers like Kindle or software like Apple Books, Kindle, and Google Play Books.
3. How do I choose a Isuzu Diesel Motor Manual book to read? Genres: Consider the genre you enjoy (fiction, non-fiction, mystery, sci-fi, etc.). Recommendations: Ask friends, join book clubs, or explore online reviews and recommendations. Author: If you like a particular author, you might enjoy more of their work.
4. How do I take care of Isuzu Diesel Motor Manual books? Storage: Keep them away from direct sunlight and in a dry environment. Handling: Avoid folding pages, use bookmarks, and handle them with clean hands. Cleaning: Gently dust the covers and pages occasionally.
5. Can I borrow books without buying them? Public Libraries: Local libraries offer a wide range of books for borrowing. Book Swaps: Community book exchanges or online platforms where people exchange books.
6. How can I track my reading progress or manage my book collection? Book Tracking Apps: Goodreads, LibraryThing, and Book Catalogue are popular apps for tracking your reading progress and managing book collections. Spreadsheets:

You can create your own spreadsheet to track books read, ratings, and other details.

7. What are Isuzu Diesel Motor Manual audiobooks, and where can I find them? Audiobooks: Audio recordings of books, perfect for listening while commuting or multitasking. Platforms: Audible, LibriVox, and Google Play Books offer a wide selection of audiobooks.
8. How do I support authors or the book industry? Buy Books: Purchase books from authors or independent bookstores. Reviews: Leave reviews on platforms like Goodreads or Amazon. Promotion: Share your favorite books on social media or recommend them to friends.
9. Are there book clubs or reading communities I can join? Local Clubs: Check for local book clubs in libraries or community centers. Online Communities: Platforms like Goodreads have virtual book clubs and discussion groups.
10. Can I read Isuzu Diesel Motor Manual books for free? Public Domain Books: Many classic books are available for free as they're in the public domain. Free E-books: Some websites offer free e-books legally, like Project Gutenberg or Open Library.

Find Isuzu Diesel Motor Manual :

[honda watercraft manual](#)

[honda w 1owner manual](#)

[honest bob the dog has a tea party](#)

[honda st70 workshop manual](#)

[honda xr125l service manual](#)

[honda shadow spirit service manual](#)

[honda trx 420 fpa manual 2012](#)

[honda xlx 25r service manual 3](#)

[honda twinstar service repair manual 78 83](#)

[honda shadow vt1100c repair manual](#)

[honda trx 700xx service manual repair 2008 2009 trx700xx](#)

[honda vfr 800 service manual 2015](#)

[honeywell cm927 installation guide](#)

~~[honda snowblower hs928 owners manual](#)~~

[hondaoutboard owners manual](#)

Isuzu Diesel Motor Manual :

[ma c moire lina c aire d un ma c decin radiologue pdf api](#) - Dec 28 2022

web ma c moire lina c aire d un ma c decin radiologue is available in our digital library an online access to it is set as public so you can get it instantly our digital library hosts in multiple countries allowing you to get the most less latency time to download any of our books like this one

[ma c moire lina c aire d un ma c decin radiologue 2023](#) - Jan 29 2023

web 4 ma c moire lina c aire d un ma c decin radiologue 2022 01 19 semiannual with semiannual and annual indexes references to all scientific and technical literature coming from doe its

[radyoloji Özel medisun hastanesi](#) - Jul 03 2023

web Özel medisun Çayyolu hastanesi radyoloji bölümü gelişmiş görüntüleme teknolojisi ile alanında profesyonel radyoloji uzmanları radyoloji teknisyen ve teknikerleri ile 7gün 24 saat kesintisiz hizmet vermektedir hastanemiz bünyesinde yapılan radyolojik işlemlerin tamamı dijital teknoloji ile çalışan sistemlerden elde edilen

mamografi nedir mamografi hangi bölümde çekilmektedir hürriyet - Feb 27 2023

web nov 4 2019 mamografi hangi bölümde çekilmektedir meme yerine göğüs kelimesinin kullanılması kişileri yanlış bölümlere yönlendirmektedir meme ağrıları için genel

[ma c moire lina c aire d un ma c decin radiologue copy api](#) - Feb 15 2022

web ma c moire lina c aire d un ma c decin radiologue downloaded from api publico pinheiro ma gov br by guest ashley brooklynn advances in virus research springer report of the dominion fishery commission on the fisheries of the province of ontario 1893 issued as vol 26 no 7 supplement

[ma c moire lina c aire d un ma c decin radiologue pdf](#) - Nov 26 2022

web nov 27 2022 ma c moire lina c aire d un ma c decin radiologue is available in our book collection an online access to it is set as public so you can download it instantly our digital library spans in multiple locations allowing you to get the most less latency time to download

ma c moire lina c aire d un ma c decin radiologue - Sep 24 2022

web apr 23 2023 ma c moire lina c aire d un ma c decin radiologue 3 5 downloaded from uniport edu ng on april 23 2023 by guest billboard 1996 05 04 in its 114th year billboard remains the world s premier weekly music publication and a diverse digital events brand content and data licensing platform

ma c moire lina c aire d un ma c decin radiologue 2022 - Jun 21 2022

web moire lina c aire d un ma c decin radiologue most likely you have knowledge that people have see numerous time for their favorite books in imitation of this ma c moire lina c aire d un ma c decin radiologue but stop going on in harmful

downloads rather than enjoying a good book next a mug of coffee in the afternoon then again they juggled

mamografi İçin hangi hekime başvurmalı prof dr mehmet - Sep 05 2023

web mamografi ile kanser taraması yaptırmak isteyen kadınlar meme radyolojisi konusunda deneyimli radyoloji uzmanına başvurmalıdır mamografi tetkikinın yeterli kalitede çekilmesi yorumlanması ve saptanan bulguların iyi huylu bir lezyona mı yoksa kansere mi ait olduğunu belirlenmesi gerekiyorsa ek tetkiklerin önerilmesi planlanması ve yapılması gibi

ma c moire lina c aire d un ma c decin radiologue download - Oct 26 2022

web 2 ma c moire lina c aire d un ma c decin radiologue 2021 03 06 contacts who can make or break a job search known to insiders since 1971 as the red book the 1999 edition contains detailed information on over 11 000 recruiters at more than 6 100 offices in north america executives can easily identify recruiters who can best match their skills and

ma c moire lina c aire d un ma c decin radiologue api - Mar 19 2022

web ma c moire lina c aire d un ma c decin radiologue 1 ma c moire lina c aire d un ma c decin radiologue when somebody should go to the ebook stores search introduction by shop shelf by shelf it is truly problematic this is why we offer the book compilations in this website it will agreed ease you to look

mamografi nedir ve nasıl Çekilir sonuç nasıl alınır medicana - Mar 31 2023

web oct 5 2020 mamografi esnasında meme iki plak arasında yerleştirildikten sonra bastırılarak düz hale getirilir ve x ışınları gönderilir bu durum memede hafif bir rahatsız hisse sebep olsa da yalnızca birkaç saniye sürecektir meme plaklar arasına yerleştirildikten sonra nefesin tutulması istenir bu sırada tekniker hızla röntgeni

ma c moire lina c aire d un ma c decin radiologue pdf - Oct 06 2023

web oct 29 2023 ma c moire lina c aire d un ma c decin radiologue 1 5 downloaded from uniport edu ng on october 29 2023 by guest moire lina c aire d un ma c decin radiologue but end up in malicious downloads rather than reading a good book with a cup of coffee in the afternoon instead they are facing with some infectious virus inside their

ma c moire lina c aire d un ma c decin radiologue 2022 - Apr 19 2022

web it is not all but the costs its just about what you habit currently this ma c moire lina c aire d un ma c decin radiologue as one of the most full of zip sellers here will utterly be in the course of the best options to review ma c moire lina c aire d un ma c decin radiologue downloaded from api publico pinheiro ma gov br by guest cabrera

ma c moire lina c aire d un ma c decin radiologue dorothée - Aug 04 2023

web ma c moire lina c aire d un ma c decin radiologue when somebody should go to the books stores search initiation by shop shelf by shelf it is essentially problematic it will enormously ease you to see guide ma c moire lina c aire d un ma c decin radiologue as you such as by searching the title publisher or authors of guide you

mamografiye hangi bölüm bakar İstanbul mamografi merkezi - May 01 2023

web mamografiye hangi bölüm bakar mamografi radyolojik bir incelemedir bu nedenle mamografi çekimi için alanında tecrübeli ve uzman bir radyoloji uzmanına başvurulması gerekmektedir bununla birlikte hasta takibinin nitelikli bir şekilde yapılabilmesi amacı ile ömür boyu başvurulacak bir radyoloji uzmanı seçilmesi önemlidir

ma c moire lina c aire d un ma c decin radiologue pdf - Jun 02 2023

web 4 ma c moire lina c aire d un ma c decin radiologue 2022 10 28 understanding of each topic and an appreciation of its significance for the future of radiation oncology it explores in detail the impact of newer imaging modalities such as multiparametric magnetic resonance imaging mri and positron emission tomography pet using

ma c moire lina c aire d un ma c decin radiologue - Jul 23 2022

web oct 28 2023 as this ma c moire lina c aire d un ma c decin radiologue it ends occurring subconscious one of the favored books ma c moire lina c aire d un ma c decin radiologue collections that we have this is why you remain in the best website to see the amazing books to have real estate record and builders guide 1884

ma c moire lina c aire d un ma c decin radiologue pdf 2023 - Aug 24 2022

web recognizing the pretension ways to get this books ma c moire lina c aire d un ma c decin radiologue pdf is additionally useful you have remained in right site to start getting this info get the ma c moire lina c aire d un ma c decin radiologue pdf link that we meet the expense of here and check out the link

ma c moire lina c aire d un ma c decin radiologue api - May 21 2022

web ma c moire lina c aire d un ma c decin radiologue getting the books ma c moire lina c aire d un ma c decin radiologue now is not type of challenging means you could not only going past ebook accrual or library or borrowing from your friends to entrance them this is an unconditionally easy means to specifically acquire lead by on line this

dark shores literature tv tropes - Apr 30 2022

web literature wmg timeline create new dark shores dark shores is young adult fantasy series written by canadian author danielle l jensen teriana comes from the seafaring nation of the maarin who are the only ones able to cross the endless seas dividing the world of reath into two parts ignorant of one another

dark skies dark shores jensen l danielle amazon com tr - Jul 02 2022

web dark skies dark shores jensen l danielle amazon com tr Çerez tercihlerinizi seçin Çerez bildirimimizde detaylandırıldığı üzere satın alım yapmanızı sağlamak alışveriş deneyiminizi geliştirmek ve hizmetlerimizi sunmak için gerekli olan çerezleri ve benzer araçları kullanıyoruz

dark shores dark shores 1 by danielle l jensen goodreads - Jul 14 2023

web may 7 2019 dark shores is the first instalment in the dark shores series involving high stakes oceanic travel piracy and plundering and a world divided by religion and politics east must never meet west and west does not know that east exists at

all

[dark shores dark shores 1 jensen l danielle](#) - Jun 13 2023

web arama yapmak istediğiniz kategoriye seçin

dark skies jensen danielle l amazon com tr kitap - Jan 28 2022

web dark skies follows lydia who we met briefly in dark shores and a new swoon worthy male character killian danielle l jensen has the magic touch when it comes to writing characters that you not only fall in love with but are emotionally invested in the entire time

dark shores dark shores 1 amazon com - Jan 08 2023

web may 7 2019 dark shores has everything i look for in a fantasy novel fresh unique settings a cast of complex and diverse characters and an unflinching boldness with the nuanced world building

dark shores series by danielle l jensen goodreads - Aug 15 2023

web dark shores by danielle l jensen 3 96 8 434 ratings 1 431 reviews published 2019 11 editions high seas adventure blackmail and meddling gods want to read rate it book 2 dark skies by danielle l jensen 4 26 4 233 ratings 729 reviews published 2020 7 editions a runaway with a hidden past lydia is a scholar bu want to

dark shores ses cd si kısaltılmamış 7 mayıs 2019 - Feb 09 2023

web dark shores jensen danielle l illidge jeanette arthur jeremy amazon com tr kitap

dark skies dark shores 2 by danielle l jensen goodreads - Feb 26 2022

web may 5 2020 readers may read either dark shores or dark skies first unwanted betrothals assassination attempts and a battle for the crown converge in danielle l jensen s dark skies a new series starter set in the universe of the ya fantasy sarah j maas called everything i look for in a fantasy novel

dark shores by danielle l jensen ebook scribd - Dec 07 2022

web read dark shores by danielle l jensen with a free trial read millions of ebooks and audiobooks on the web ipad iphone and android richly woven evocative and absolutely impossible to put down i was hooked from the first lines

dark shores on steam - Dec 27 2021

web jul 8 2010 explore and survive in dark shores an experimental survival horror game that explores concepts of perma death branching storylines and unscripted fear a luxury cruise containing five young tourists crashes on a remote island deep within the south pacific

dark shores by jensen danielle l l jensen danielle - Jun 01 2022

web dark shores has everything i look for in a fantasy novel fresh unique settings a cast of complex and diverse characters and an unflinching boldness with the nuanced world building i loved every word sarah j maas 1 new york times bestselling

author

dark shores dark shores 1 danielle l jensen - Apr 11 2023

web the dark shores series 1 in a world divided by meddling gods and treacherous oceans only the maarin possess the knowledge to cross the endless seas but they have one mandate east must never meet west a sailor with a will of iron teriana is the second mate of the quincense and heir to the maarin triumvirate

dark shores volume 1 by danielle l jensen google play - Mar 10 2023

web dark shores has everything i look for in a fantasy novel fresh unique settings a cast of complex and diverse characters and an unflinching boldness with the nuanced world building i loved every word sarah j maas 1 new york times bestselling author of throne of glass

dark shores dark shores 1 the open book content - Aug 03 2022

web may 20 2020 high seas adventure blackmail and meddling gods meet in dark shores a thrilling first novel in a fast paced new ya fantasy series by usa today bestselling author danielle l jensen in a world divided by meddling gods and treacherous oceans only the maarin possess the knowledge to cross the endless seas

dark shores jensen danielle l amazon com tr - May 12 2023

web dark shores jensen danielle l amazon com tr Çerez tercihlerinizi seçin alışveriş deneyiminizi geliştirmek hizmetlerimizi sunmak müşterilerin hizmetlerimizi nasıl kullandığını anlayarak iyileştirmeler yapabilmek ve tanıtımları gösterebilmek için çerezler ve benzeri araçları kullanmaktayız

book review dark shores dark shores 1 writing the universe - Mar 30 2022

web jul 24 2020 in a world divided by meddling gods and treacherous oceans only the maarin possess the knowledge to cross the endless seas but they have one mandate east must never meet west a sailor with a will of iron teriana is the second mate of the quincense and heir to the maarin triumvirate

dark shores kirkus reviews - Sep 04 2022

web may 7 2019 once believed to be a myth by the cel cassius has made it his mission to find the dark shores and will use any means necessary to conquer them the book grabs readers from the beginning with its stellar worldbuilding and multidimensional characters and the mythical elements are truly believable within the constructs of the story

dark shores 3 book series kindle edition amazon com - Oct 05 2022

web dark shores has everything i look for in a fantasy novel fresh unique settings a cast of complex and diverse characters and an unflinching boldness with the nuanced world building i loved every word sarah j maas 1 new york times bestselling author

amazon com dark shores ebook jensen danielle l kindle - Nov 06 2022

web may 7 2019 hardcover 18 99 paperback 9 89 other used new collectible from 1 97 unlimited reading over 4 million titles learn more or buy now with 1 click add audible narration to your purchase for just 7 49 read with our free app deliver to your kindle library buy for others give as a gift or purchase for a team or group learn more buy for

point culminant du japon le mont fuji plus populaire que jamais - Mar 21 2022

web jun 22 2023 les grands maîtres de l'estampe l'ont représenté hokusai avec ses trente six vues du mont fuji ou hiroshige et ses cinquante trois relais du tokaido il est aujourd'hui une destination

hokusai thirty six views of mount fuji sechsunddreißig ansichten des - Apr 21 2022

web jul 2 2021 un viaje al corazón del japon del siglo xix questa edizione in formato xli trasporta i lettori nel giappone del xix secolo con le trentasei vedute del monte fuji di katsushika hokusai una pietra miliare della storia

les 36 vues du mont fuji hokusai shogun japon - Sep 26 2022

web le lac suwa dans la province de shinano le succès de cette série d'hokusai provient de plusieurs facteurs notamment des caractéristiques des ukiyo e en effet en plus de représenter uniquement des paysages outre le fait d'être axé sur le mont fuji hokusai a révolutionné son domaine en optant pour le grand format

hokusai les trente six vues du mont fuji editions de la - Oct 28 2022

web les trente six vues du mont fuji jocelyn bouquillard qui n'a jamais vu la grande vague démesurée écumante et menaçante lancer ses puissants tentacules à l'assaut d'humbles pêcheurs vulnérables

trente six vues du mont fuji wikiwand - Jun 04 2023

web les trente six vues du mont fuji sont une série de quarante six gravures sur bois réalisées par katsushika hokusai et dont les dates d'édition s'étendent entre 1831 1833 elles représentent le mont fuji depuis différents lieux suivant les saisons

hokusai les trente six vues du mont fuji relié fnac - Feb 17 2022

web nov 7 2018 hokusai les trente six vues du mont fuji 5 9 avis 1 coup de cœur des libraires offres sur ce produit avec le retrait magasin résumé voir tout l'intégrale des 36 vues du mont fuji comprenant les dix estampes supplémentaires

commandées par l'éditeur d'hokusai suite au succès de cette série

les trente six vues du mont fuji hoku editions seuil - Apr 02 2023

web les trente six vues du mont fuji hokusai jocelyn bouquillard qui n'a jamais vu la grande vague démesurée écumante et menaçante créateur impétueux et d'une grande audace hokusai 1760 1849 y manifeste un style tout à fait original

empruntant aux techniques traditionnelles japonaise et chinoise mais aussi à la

hokusai les trente six vues du mont fuji grand format relié - Jun 23 2022

web nov 7 2018 consacrée tout entière au paysage la série présente le mont fuji selon une multitude de points de vue et de cadrages voyageur infatigable hokusai passionné de nature explore toutes les facettes du volcan

[le mont fuji vu sous tous les angles le monde fr](#) - Jan 31 2023

web jul 23 2020 vent frais par matin clair dit fuji bleu série des trente six vues du mont fuji impression originelle en bleu de la vue dite fuji rouge katsushika hokusai 1760 1849

trente six vues du mont fuji hiroshige wikipédia - Jul 25 2022

web le même sujet avait déjà été traité par hokusai dans deux de ses propres séries trente six vues du mont fuji produites de 1830 à 1832 3 et cent vues du mont fuji publiées en trois volumes de 1834 à 1849 4 estampes remarque tous les emplacements utilisent les noms de lieux modernes série de 1852 cette série a été publiée par sanoya kihei

trente six vues du mont fuji wikipédia - Oct 08 2023

web les trente six vues du mont fuji est une des premières séries entièrement consacrée au paysage mais réalisée en grand format et en cela hokusai a révolutionné la peinture de l'époque cependant même si le mont fuji est l'élément principal de la série il ne constitue pas son but essentiel

hokusai bnf essentiels - Jul 05 2023

web universellement connu pour sa vague et ses trente six vues du mont fuji hokusai incarne à travers ses estampes l'âme du japon génie protéiforme créateur audacieux katsushika hokusai 1760 1849 incarne la spiritualité et l'âme japonaises

[hokusai les trentes six vues du mont fuji babelio](#) - Aug 26 2022

web mar 15 2007 conservateur à la bibliothèque nationale de france jocelyn bouquillard a eu l'excellente idée de publier l'intégralité des 46 estampes oui oui le fou de dessin en a rajouté une petite dizaine du mont fuji peintes par hokusai au début des années 1830 imprimés sur un papier de qualité et dans un format à l'italienne les dessins

[hokusai katsushika 1760 1849 encyclopædia universalis](#) - Nov 28 2022

web trente six vues du mont fuji hokusai Écrit par alain thote 132 mots 1 média la vague est sans doute la plus célèbre des estampes de la série des trente six vues du mont fuji de katsushika hokusai 1760 1849 gravée vers 1831 dans cette planche le célèbre volcan aux formes parfaitement symétriques et symbole du japon est

les trente six vues du mont fuji par hokusai bnf essentiels - Sep 07 2023

web explorer l'album vers 1830 hokusai s'empare de la montagne sacrée associée à une divinité du feu et refuge de sanctuaires shintoïstes À l'égal d'un dieu il l'approche en état de grâce et de méditation lui rendant un véritable culte

hokusai et les trente six vues du mont fuji grand palais - May 03 2023

web oct 14 2014 montagne sacrée du japon refuge de nombreux temples shintoïstes le mont fuji devient le thème unique d'une série de trente six estampes réalisées par hokusai au tout début des années 1830 le succès fut tel que l'éditeur en demanda immédiatement dix de plus à l'artiste

trente six vues du mont fuji hokusai encyclopædia - Aug 06 2023

web la vague est sans doute la plus célèbre des estampes de la série des trente six vues du mont fuji de katsushika hokusai 1760 1849 gravée vers 1831 dans cette planche le célèbre volcan aux formes parfaitement symétriques et symbole du japon est minuscule et semble comme submergé

hokusai les trente six vues du mont fuji hachette fr - May 23 2022

web nov 7 2018 au début des années 1830 il entreprend sa suite colorée des trente six vues du mont fuji et parvient ainsi à l'apogée de sa carrière consacrée tout entière au paysage la série présente le mont fuji selon une multitude de points de vue et

category 36 views of mount fuji wikimedia - Dec 30 2022

web aug 30 2022 1 below meguro 36 views of mount fuji 7 f tea house at koishikawa the morning after a snowfall 36 views of mount fuji 9 f sunset across the ryōgoku bridge from the bank of the sumida river at onmayagashi 36 views of mount fuji 10 f barrier town on the sumida river 36 views of mount fuji 6 f

trente six vues du mont fuji œuvre de katsushika hokusai - Mar 01 2023

web la vague est sans doute la plus célèbre des estampes de la série des trente six vues du mont fuji de katsushika hokusai gravée vers 1831 dans cette planche le volcan du mont fuji aux formes parfaitement symétriques symbole du japon est minuscule et semble comme submergé par les eaux