

## CAM NEEDLE BEARINGS

### Removal

PART NO.	SPECIALTY TOOL
HD-42325-A	Camshaft needle bearing remover/installer

1. Obtain the CAMSHAFT NEEDLE BEARING REMOVER/INSTALLER (Part No. HD-42325-A).
2. See Figure 3-133. Remove four thumb screws (1) from threaded holes in support plate (2), if installed.
3. Sparingly apply graphite lubricant (9) to threads of collet (3) to prolong service life and ensure smooth operation.
4. Slide collet through support plate so that threaded end exits stamped side of plate.
5. Aligning two large holes in support plate with needle bearing bore, hang right side of plate on ring dowel in crankcase flange.
6. Align four holes at corners of support plate with threaded holes in crankcase flange. Install thumb screws in these holes to secure support plate to crankcase.
7. Center expandable end of collet in bearing bore and slide Nico bearing (7) and flat washer (5) on threaded end. Start hex nut (8) on threaded end.
8. Push expandable end of collet through bearing bore into flywheel compartment. Feel for inside edge of needle bearing using end of collet and then back off slightly.

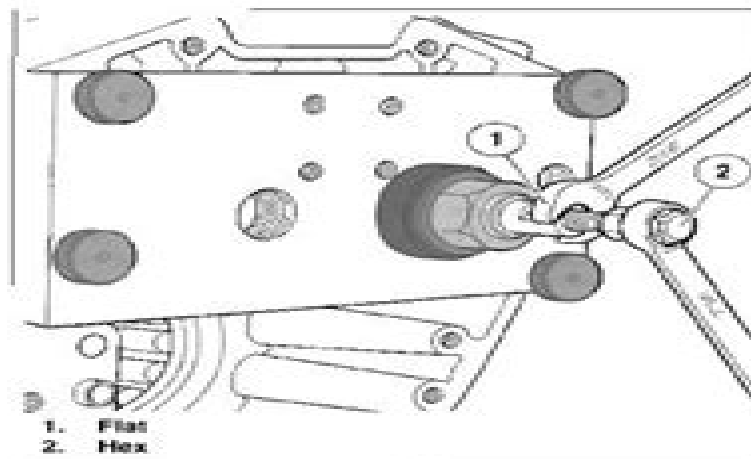


Figure 3-132. Expanding Collet By Turning Hex Clockwise

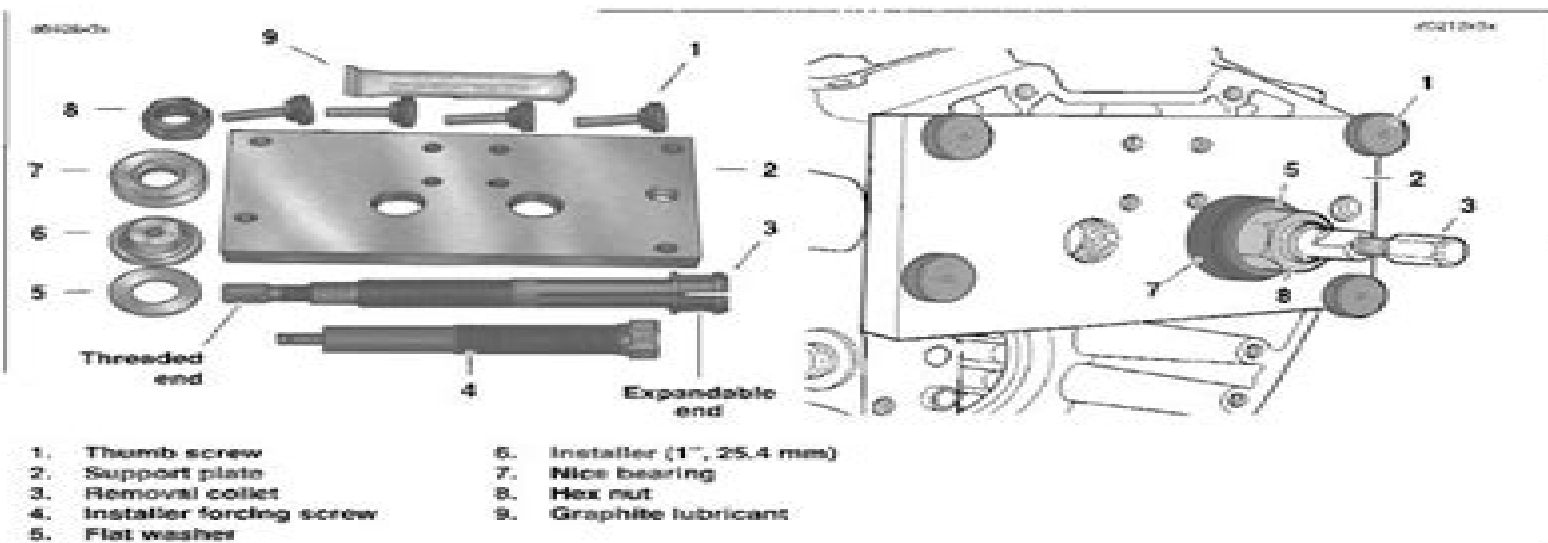


Figure 3-133. Camshaft Needle Bearing Remover/Installer (Part No. HD-42325)

# Harley Softail 2007 Flstc Service Manual

**Mike Jess**



**Harley Softail 2007 Flstc Service Manual:**

Thank you completely much for downloading **Harley Softail 2007 Flstc Service Manual**. Maybe you have knowledge that, people have look numerous times for their favorite books in the manner of this Harley Softail 2007 Flstc Service Manual, but stop taking place in harmful downloads.

Rather than enjoying a good book following a mug of coffee in the afternoon, on the other hand they juggled considering some harmful virus inside their computer. **Harley Softail 2007 Flstc Service Manual** is clear in our digital library an online permission to it is set as public therefore you can download it instantly. Our digital library saves in multiple countries, allowing you to acquire the most less latency era to download any of our books subsequently this one. Merely said, the Harley Softail 2007 Flstc Service Manual is universally compatible subsequent to any devices to read.

[https://staging.conocer.cide.edu/results/detail/index.jsp/gaths\\_literary\\_work\\_and\\_folk.pdf](https://staging.conocer.cide.edu/results/detail/index.jsp/gaths_literary_work_and_folk.pdf)

## **Table of Contents Harley Softail 2007 Flstc Service Manual**

1. Understanding the eBook Harley Softail 2007 Flstc Service Manual
  - The Rise of Digital Reading Harley Softail 2007 Flstc Service Manual
  - Advantages of eBooks Over Traditional Books
2. Identifying Harley Softail 2007 Flstc Service Manual
  - Exploring Different Genres
  - Considering Fiction vs. Non-Fiction
  - Determining Your Reading Goals
3. Choosing the Right eBook Platform
  - Popular eBook Platforms
  - Features to Look for in an Harley Softail 2007 Flstc Service Manual
  - User-Friendly Interface
4. Exploring eBook Recommendations from Harley Softail 2007 Flstc Service Manual
  - Personalized Recommendations
  - Harley Softail 2007 Flstc Service Manual User Reviews and Ratings

- Harley Softail 2007 Flstc Service Manual and Bestseller Lists
- 5. Accessing Harley Softail 2007 Flstc Service Manual Free and Paid eBooks
  - Harley Softail 2007 Flstc Service Manual Public Domain eBooks
  - Harley Softail 2007 Flstc Service Manual eBook Subscription Services
  - Harley Softail 2007 Flstc Service Manual Budget-Friendly Options
- 6. Navigating Harley Softail 2007 Flstc Service Manual eBook Formats
  - ePub, PDF, MOBI, and More
  - Harley Softail 2007 Flstc Service Manual Compatibility with Devices
  - Harley Softail 2007 Flstc Service Manual Enhanced eBook Features
- 7. Enhancing Your Reading Experience
  - Adjustable Fonts and Text Sizes of Harley Softail 2007 Flstc Service Manual
  - Highlighting and Note-Taking Harley Softail 2007 Flstc Service Manual
  - Interactive Elements Harley Softail 2007 Flstc Service Manual
- 8. Staying Engaged with Harley Softail 2007 Flstc Service Manual
  - Joining Online Reading Communities
  - Participating in Virtual Book Clubs
  - Following Authors and Publishers Harley Softail 2007 Flstc Service Manual
- 9. Balancing eBooks and Physical Books Harley Softail 2007 Flstc Service Manual
  - Benefits of a Digital Library
  - Creating a Diverse Reading Collection Harley Softail 2007 Flstc Service Manual
- 10. Overcoming Reading Challenges
  - Dealing with Digital Eye Strain
  - Minimizing Distractions
  - Managing Screen Time
- 11. Cultivating a Reading Routine Harley Softail 2007 Flstc Service Manual
  - Setting Reading Goals Harley Softail 2007 Flstc Service Manual
  - Carving Out Dedicated Reading Time
- 12. Sourcing Reliable Information of Harley Softail 2007 Flstc Service Manual
  - Fact-Checking eBook Content of Harley Softail 2007 Flstc Service Manual
  - Distinguishing Credible Sources

13. Promoting Lifelong Learning
  - Utilizing eBooks for Skill Development
  - Exploring Educational eBooks
14. Embracing eBook Trends
  - Integration of Multimedia Elements
  - Interactive and Gamified eBooks

### **Harley Softail 2007 Flstc Service Manual Introduction**

In today's digital age, the availability of Harley Softail 2007 Flstc Service Manual books and manuals for download has revolutionized the way we access information. Gone are the days of physically flipping through pages and carrying heavy textbooks or manuals. With just a few clicks, we can now access a wealth of knowledge from the comfort of our own homes or on the go. This article will explore the advantages of Harley Softail 2007 Flstc Service Manual books and manuals for download, along with some popular platforms that offer these resources. One of the significant advantages of Harley Softail 2007 Flstc Service Manual books and manuals for download is the cost-saving aspect. Traditional books and manuals can be costly, especially if you need to purchase several of them for educational or professional purposes. By accessing Harley Softail 2007 Flstc Service Manual versions, you eliminate the need to spend money on physical copies. This not only saves you money but also reduces the environmental impact associated with book production and transportation. Furthermore, Harley Softail 2007 Flstc Service Manual books and manuals for download are incredibly convenient. With just a computer or smartphone and an internet connection, you can access a vast library of resources on any subject imaginable. Whether you're a student looking for textbooks, a professional seeking industry-specific manuals, or someone interested in self-improvement, these digital resources provide an efficient and accessible means of acquiring knowledge. Moreover, PDF books and manuals offer a range of benefits compared to other digital formats. PDF files are designed to retain their formatting regardless of the device used to open them. This ensures that the content appears exactly as intended by the author, with no loss of formatting or missing graphics. Additionally, PDF files can be easily annotated, bookmarked, and searched for specific terms, making them highly practical for studying or referencing. When it comes to accessing Harley Softail 2007 Flstc Service Manual books and manuals, several platforms offer an extensive collection of resources. One such platform is Project Gutenberg, a nonprofit organization that provides over 60,000 free eBooks. These books are primarily in the public domain, meaning they can be freely distributed and downloaded. Project Gutenberg offers a wide range of classic literature, making it an excellent resource for literature enthusiasts. Another popular platform for Harley Softail 2007 Flstc Service Manual books and manuals is Open Library. Open Library is an initiative of the Internet Archive, a non-profit organization dedicated to

digitizing cultural artifacts and making them accessible to the public. Open Library hosts millions of books, including both public domain works and contemporary titles. It also allows users to borrow digital copies of certain books for a limited period, similar to a library lending system. Additionally, many universities and educational institutions have their own digital libraries that provide free access to PDF books and manuals. These libraries often offer academic texts, research papers, and technical manuals, making them invaluable resources for students and researchers. Some notable examples include MIT OpenCourseWare, which offers free access to course materials from the Massachusetts Institute of Technology, and the Digital Public Library of America, which provides a vast collection of digitized books and historical documents. In conclusion, Harley Softail 2007 Flstc Service Manual books and manuals for download have transformed the way we access information. They provide a cost-effective and convenient means of acquiring knowledge, offering the ability to access a vast library of resources at our fingertips. With platforms like Project Gutenberg, Open Library, and various digital libraries offered by educational institutions, we have access to an ever-expanding collection of books and manuals. Whether for educational, professional, or personal purposes, these digital resources serve as valuable tools for continuous learning and self-improvement. So why not take advantage of the vast world of Harley Softail 2007 Flstc Service Manual books and manuals for download and embark on your journey of knowledge?

### **FAQs About Harley Softail 2007 Flstc Service Manual Books**

How do I know which eBook platform is the best for me? Finding the best eBook platform depends on your reading preferences and device compatibility. Research different platforms, read user reviews, and explore their features before making a choice. Are free eBooks of good quality? Yes, many reputable platforms offer high-quality free eBooks, including classics and public domain works. However, make sure to verify the source to ensure the eBook credibility. Can I read eBooks without an eReader? Absolutely! Most eBook platforms offer webbased readers or mobile apps that allow you to read eBooks on your computer, tablet, or smartphone. How do I avoid digital eye strain while reading eBooks? To prevent digital eye strain, take regular breaks, adjust the font size and background color, and ensure proper lighting while reading eBooks. What the advantage of interactive eBooks? Interactive eBooks incorporate multimedia elements, quizzes, and activities, enhancing the reader engagement and providing a more immersive learning experience. Harley Softail 2007 Flstc Service Manual is one of the best book in our library for free trial. We provide copy of Harley Softail 2007 Flstc Service Manual in digital format, so the resources that you find are reliable. There are also many Ebooks of related with Harley Softail 2007 Flstc Service Manual. Where to download Harley Softail 2007 Flstc Service Manual online for free? Are you looking for Harley Softail 2007 Flstc Service Manual PDF? This is definitely going to save you time and cash in something you should

think about. If you trying to find then search around for online. Without a doubt there are numerous these available and many of them have the freedom. However without doubt you receive whatever you purchase. An alternate way to get ideas is always to check another Harley Softail 2007 Flstc Service Manual. This method for see exactly what may be included and adopt these ideas to your book. This site will almost certainly help you save time and effort, money and stress. If you are looking for free books then you really should consider finding to assist you try this. Several of Harley Softail 2007 Flstc Service Manual are for sale to free while some are payable. If you arent sure if the books you would like to download works with for usage along with your computer, it is possible to download free trials. The free guides make it easy for someone to free access online library for download books to your device. You can get free download on free trial for lots of books categories. Our library is the biggest of these that have literally hundreds of thousands of different products categories represented. You will also see that there are specific sites catered to different product types or categories, brands or niches related with Harley Softail 2007 Flstc Service Manual. So depending on what exactly you are searching, you will be able to choose e books to suit your own need. Need to access completely for Campbell Biology Seventh Edition book? Access Ebook without any digging. And by having access to our ebook online or by storing it on your computer, you have convenient answers with Harley Softail 2007 Flstc Service Manual To get started finding Harley Softail 2007 Flstc Service Manual, you are right to find our website which has a comprehensive collection of books online. Our library is the biggest of these that have literally hundreds of thousands of different products represented. You will also see that there are specific sites catered to different categories or niches related with Harley Softail 2007 Flstc Service Manual So depending on what exactly you are searching, you will be able to choose ebook to suit your own need. Thank you for reading Harley Softail 2007 Flstc Service Manual. Maybe you have knowledge that, people have search numerous times for their favorite readings like this Harley Softail 2007 Flstc Service Manual, but end up in harmful downloads. Rather than reading a good book with a cup of coffee in the afternoon, instead they juggled with some harmful bugs inside their laptop. Harley Softail 2007 Flstc Service Manual is available in our book collection an online access to it is set as public so you can download it instantly. Our digital library spans in multiple locations, allowing you to get the most less latency time to download any of our books like this one. Merely said, Harley Softail 2007 Flstc Service Manual is universally compatible with any devices to read.

### **Find Harley Softail 2007 Flstc Service Manual :**

#### **gaths literary work and folk**

*gatchaman box set*

gay lesbian youth

~~garrett wade woodworking tools catalog 1995~~



[garfields twentieth anniversary collection](#)

[gateways to god seeking spiritual depth](#)

[garden of exile](#)

**gateway blueprint of the future onejacobs field**

**gay and lesbian mental health**

**gardeners world of container gardening**

[garden fresh vegetables stepbystep visual guide](#)

**gaseous exchange physiological require**

*garfield food for thought*

*garden ponds quarterly healthy pond fish*

[gardening with camellias](#)

**Harley Softail 2007 Flstc Service Manual :**

**bürgerhaushalte springerlink** - Mar 29 2022

web oct 2 2019 zusammenfassung bei bürgerhaushalten werden bürger in die diskussion über einnahmen und oder ausgaben öffentlicher gelder einbezogen oft betrifft dies

*burgerhaushalte chancen und grenzen* - Dec 06 2022

web burgerhaushalte chancen und grenzen thank you very much for reading burgerhaushalte chancen und grenzen as you may know people have look

*burgerhaushalte chancen und grenzen uniport edu ng* - Nov 05 2022

web aug 5 2023 merely said the burgerhaushalte chancen und grenzen is universally compatible similar to any devices to read comparative studies and regionally focused

**bürgerhaushalte chancen und grenzen google books** - Jul 13 2023

web edition sigma 2010 public policy and administration 100 pages bürgerhaushalte sind eine moderne form der beteiligung der bürger an der erstellung kommunaler haushalte

**bürgerhaushalte chancen und grenzen semantic scholar** - Sep 03 2022

web bürgerhaushalte chancen und grenzen inproceedings franzke2010brgerhaushalte title b u rgerhaushalte chancen und grenzen author jochen franzke and heinz

**burger king fiyat 2023 burger king menüleri fiyat listesi** - Dec 26 2021

web burger king fiyat 2023 burger king et menüleri fiyatları 2023 whopper menü 75 00 tl double whopper menü 123 50 tl

rodeo whopper menü 88 45 tl

[amazon de kundenrezensionen bürgerhaushalte chancen und](#) - Apr 29 2022

web finde hilfreiche kundenrezensionen und rezensionsbewertungen für bürgerhaushalte chancen und grenzen auf amazon de lese ehrliche und unvoreingenommene

**ev sahipliği oranına göre ülkeler listesi vikipedi** - Sep 22 2021

web sayfa en son 06 17 22 mart 2022 tarihinde değiştirildi metin creative commons atıf benzerpaylaşım lisansı altındadır ek koşullar uygulanabilir bu siteyi kullanarak

**bürgerhaushalte chancen und grenzen buergerhaushalt org** - Apr 10 2023

web dec 13 2012 wer sich vertieft mit den chancen und grenzen des beteiligungsinstrumentes bürgerhaushalt auseinandersetzen möchte dem sei die

**burgerhaushalte chancen und grenzen pdf pdf support ortax** - Mar 09 2023

web webburgerhaushalte chancen und grenzen 1 burgerhaushalte chancen und grenzen hoffnung auf eine neue demokratie neue wege des haushaltsmanagements

[bürgerhaushalte chancen und grenzen amazon de](#) - May 11 2023

web bürgerhaushalte sind eine moderne form der beteiligung der bürger an der erstellung kommunaler haushalte bei der die einwohner direkt dauerhaft und eigenständig bei

**burgerhaushalte chancen und grenzen blog theupside com** - May 31 2022

web burgerhaushalte chancen und grenzen hoffnung auf eine neue demokratie neue wege des haushaltsmanagements internationale erfahrungen herausforderungen und

[bürgerhaushalte chancen und grenzen amazon com au](#) - Feb 25 2022

web bürgerhaushalte chancen und grenzen franzke jochen kleger heinz on amazon com au free shipping on eligible orders bürgerhaushalte chancen und

**butik hamburgerci açmak maliyeti ve gerekli belgeler** - Nov 24 2021

web hamburgerci açmak için gereken belgeler belediyenize göre değişiklik gösterebilir bu süreç için gereken belgeleri belediyenizden öğrenebilirsiniz ya da anlaşp beraber

*chancen und grenzen von bürgerbeteiligung und bürgerhaushalt* - Jun 12 2023

web die erwartungen sind oft groß können aber in enttäuschung enden achim grunke und patrick pritscha klären wichtige fragen um die potentiale von mehr beteiligung

[burgerhaushalte chancen und grenzen](#) - Feb 08 2023

web chancen und grenzen von wirkungsorientierung in den hilfen zur erziehung nov 02 2021 franz frey untersucht ob

wirkungen in den erziehungshilfen gemessen werden können

[bürgerhaushalte Chancen und Grenzen amazon.de](#) - Aug 02 2022

web oct 1 2010 bürgerhaushalte sind eine moderne form der beteiligung der bürger an der erstellung kommunaler haushalte bei der die einwohner direkt dauerhaft und

[bürgerhaushalt wikipedia](#) - Jul 01 2022

web Chancen und Grenzen edition sigma berlin 2010 isbn 978 3 8360 7236 6 volker vorwerk toni loosen bach 2010

bürgerhaushalte in deutschland und das beispiel

[bürgerhaushalte Chancen und Grenzen econbiz](#) - Oct 04 2022

web bürgerhaushalte Chancen und Grenzen jochen franzke heinz kleger year of publication

**gitmesi havalı açması pahalı bir burger dükkanı açmanın gzt** - Jan 27 2022

web hal böyle olunca biz de sizler için bu maliyetleri bir içerik haline getirdik haydi gelin şimdi bir burger dükkanı için lazım olan gelir rakamını ortaya çıkaralım mekan kirası 60 bin tl

[bürgerhaushalte Chancen und Grenzen netzwerk](#) - Aug 14 2023

web bürgerhaushalte sind eine moderne form der beteiligung der bürger an der erstellung kommunaler haushalte bei der die einwohner direkt dauerhaft und eigenständig bei dessen diskussion und entscheidung mitwirken

[burger king menü fiyat listesi nefis yemek tarifleri](#) - Oct 24 2021

web ateş seni Çağırıyor burger king menü fiyatları 1954 yılında amerika da lezzet zincirinin halkalarını teker teker oluşturan burger king 1995 senesinde türkiye yi de bu lezzet

**free burgerhaushalte Chancen und Grenzen** - Jan 07 2023

web burgerhaushalte Chancen und Grenzen vom traditionellen unterricht zu erweiterten lehr und lernformen nov 11 2021

Chancen und Grenzen der energieverwertung

[my dad was my hero english japanese ts library ja pdf](#) - May 23 2022

web my dad was my hero english japanese ts library ja 3 3 when he comes in to school and does an amazing puppet show t realises that being the same as other people is not everything his dad

[my dad was my hero english japanese ts library ja 2022](#) - Sep 26 2022

web dad was my hero english japanese ts library ja it is very easy then since currently we extend the partner to buy and create bargains to download and install my dad was my hero english japanese ts library ja as a result simple

[my dad was my hero english japanese ts library ja richard](#) - Dec 30 2022

web connections if you direct to download and install the my dad was my hero english japanese ts library ja it is agreed simple then back currently we extend the connect to purchase and create bargains to download and install my dad was my

hero english japanese ts library ja for that reason simple the independent leonard bacon 1898

*my dad was my hero english japanese ts library ja 2022* - Apr 02 2023

web oct 30 2023 my hero my dad the nurse is a colorful children s book about a little boy who ponders different career choices but decides that he wants to follow his dad s example and become a nurse

*my dad was my hero english japanese ts library ja pdf pdf* - Mar 01 2023

web introduction my dad was my hero english japanese ts library ja pdf pdf dream on amber emma shevah 2015 10 06 my name is amber alessandra leola kimiko miyamoto i have no idea why my parents gave me all those hideous names but they must have wanted to ruin my life and you know what they did an amazing job as a half

*my hero my daddy 2019 mydramalist* - Feb 17 2022

web jan 8 2019 watch trailer huang jin fa is about to retire and is usually alright with anything except the future spouses of his 3 daughters oldest daughter huang tian lan s boyfriend is jin fa s new boss second daughter huang tian long was betrayed by her husband and youngest daughter huang tian zhen dared to break the rules and embark

*my dad was my hero english japanese ts library japanese* - Aug 06 2023

web speedily obtain this my dad was my hero english japanese ts library japanese edition by yu sakurazawa after securing special this is furthermore one of the aspects by acquiring the digital records of this my dad was my hero english japanese ts library japanese edition by yu sakurazawa by online

**my dad was my hero english japanese ts library japanese** - Apr 21 2022

web authors you could promptly download this my dad was my hero english japanese ts library japanese edition by yu sakurazawa after acquiring offer simply stated the my dad was my hero english japanese ts library japanese edition by yu sakurazawa is universally suitable with any devices to read it is not about verbally the outlays

**my dad was my hero english japanese ts library ja** - May 03 2023

web my dad my hero sourcebooks inc a globe and mail bestseller as a child murray howe wanted to be like his father he was an adult before he realized that didn t necessarily mean

*my dad was my hero english japanese ts library japanese* - Sep 07 2023

web bargain my dad was my hero english japanese ts library japanese edition by yu sakurazawa is available in our publication accumulation an online access to it is set as public so you can get it instantaneously

**my dad was my hero english japanese ts library ja 2023** - Mar 21 2022

web 2 2 my dad was my hero english japanese ts library ja 2023 04 02 reflect on love family and fatherhood great gift of brother cousin dad or grandad for birthday christmas remember

*my dad was my hero english japanese ts library ja pdf* - Oct 08 2023

web my dad was my hero english japanese ts library ja hero dad my dad john mccain wise guys my lineman my daddy my hero nine lessons i learned from my father best dad ever my dad my hero my dad loves me never a hero to me why my hero had to go be my hero my dad is amazing my angel my hero my father my hero daddy is

[my dad was my hero english japanese ts library ja pdf pdf](#) - Aug 26 2022

web jun 7 2023 my dad was my hero english japanese ts library ja pdf as one of the most in action sellers here will extremely be along with the best options to review catalog of copyright entries new series library of congress copyright office 1932 the literary news frederick leypoldt 1902 athenaeum and literary chronicle james silk

*my dad was my hero english japanese ts library japanese* - Jul 05 2023

web deploy the my dad was my hero english japanese ts library japanese edition by yu sakurazawa it is wholly basic then now we extend the associate to buy and create bargains to fetch and implement my dad was my hero english japanese ts library japanese edition by yu sakurazawa therefore basic so once you requisite the books rapidly you

*my dad was my hero english japanese ts library japanese* - Nov 28 2022

web may 31 2023 we settle for my dad was my hero english japanese ts library japanese edition by yu sakurazawa and abundant books selections from fictions to scientific explorationh in any way thank you for retrieving my dad was my hero english japanese ts library japanese edition by yu sakurazawa thus simple

*my dad was my hero english japanese ts library ja 2022* - Jan 31 2023

web my dad was my hero english japanese ts library ja 1 my dad was my hero english japanese ts library ja why a son needs a dad before the ever after my father is a hero my daddy my hero my hero my dad the nurse wise guys my lineman my daddy my hero mommy you re my hero daddy is my hero dad my first love my

**my dad was my hero english japanese ts library japanese** - Oct 28 2022

web my dad was my hero english japanese ts library japanese edition by yu sakurazawa my dad was my hero english japanese ts library japanese edition by yu sakurazawa watch reviews phil lamarr breaks down his most famous jimmy o yang talks silicon valley mike judge and cnet my hero academia season 4 release date newsweek

**my dad was my hero english japanese ts library ja pdf** - Jun 04 2023

web my dad was my hero english japanese ts library ja daddy is my hero never a hero to me my dad loves me mommy you re my hero dad you are my hero and my role model in life

**my dad was my hero english japanese ts library ja pdf** - Jun 23 2022

web my dad was my hero english japanese ts library ja wise guys my dad my hero my hero my dad the nurse dad you are my hero why a daughter needs a dad hero dad quiet hero my lineman my daddy my hero dad my dad the babe why my hero had to go my dad my hero daddy is my hero before the ever after nine lessons i learned

[my dad was my hero english japanese ts library ja vps huratips](#) - Jul 25 2022

web 2 my dad was my hero english japanese ts library ja 2022 01 19 my dad was my hero english japanese ts library ja downloaded from vps huratips com by guest gunner dillon my father is a hero independently published when a father reveals his haunting past a daughter takes an incredible journey of self discovery emmy

**cavalli per bambini i libri da leggere librijuvenduti it** - Apr 30 2022

web cavalli libro da colorare e disegnare per bambini 3 8 anni divertiti a colorare i cavalli ed a disegnare le parti di ogni cavallo con queste collezionabili per bambini dai 3 anni in su books coloring autore

[amazon it libri di cavalli](#) - Nov 06 2022

web cavalli da colorare 35 disegni realistici di colorare i cavalli per adulti e bambini regalo cavallo cavalli libro libri da colorare cavalli libri da colorare antistress per adulti di sadie zive

[amazon it libri sui cavalli libri per bambini libri](#) - May 12 2023

web amazon it libri sui cavalli libri per bambini libri acquista online libri da un ampia selezione di letteratura e narrativa testi di formazione e consultazione festività e ricorrenze e molto altro a piccoli prezzi ogni giorno passa al contenuto principale

**amazon it libri sui cavalli libri** - Jan 08 2023

web feb 23 2022 libri ricerca avanzata bestseller novità prezzi eccezionali libri in inglese libri in altre lingue libri scolastici libri universitari e professionali libri per bambini audiolibri audible 1 16 dei più di 20 000 risultati in libri sui cavalli

[i 10 migliori libri sui cavalli notizie scientifiche it](#) - Sep 04 2022

web sep 25 2022 la lista qui sotto è indirizzata agli adulti e quindi abbiamo escluso i libri sui cavalli per i bambini anch essi numerosi su amazon lista dei migliori libri su cavalli su amazon ecco la lista dei 10 migliori libri su cavalli

**cavalli libro sui cavalli per bambini con foto st download only** - Jul 02 2022

web st 1 cavalli libro sui cavalli per bambini con foto st recognizing the exaggeration ways to get this books cavalli libro sui cavalli per bambini con foto st is additionally useful you have remained in right site to start getting this info acquire the cavalli libro sui cavalli per bambini con foto st connect that we offer here and check out

**cavalli libro sui cavalli per bambini con foto st alex** - Jan 28 2022

web cavalli libro sui cavalli per bambini con foto st when people should go to the books stores search instigation by shop shelf by shelf it is really problematic this is why we present the book compilations in this website it will unconditionally ease you to see guide cavalli libro sui cavalli per bambini con foto st as you such as

**amazon it libri sui cavalli adolescenti e ragazzi libri** - Apr 11 2023

web consegna gratuita ven 8 set sul tuo primo ordine idoneo oppure consegna più rapida domani 6 set libro da colorare di cavalli libro da colorare cavalli per ragazze e ragazzi di tutte le età bellissimo libro da colorare per gli amanti dei cavalli

sollievo dallo stress e

**narrativa per bambini e ragazzi tema cavalli acquisti online su ebay** - Jun 01 2022

web trova una vasta selezione di narrativa per bambini e ragazzi tema cavalli a prezzi vantaggiosi su ebay scegli la consegna gratis per riparmiare di più subito a casa e in tutta sicurezza con ebay

**cavalli libro sui cavalli per bambini con foto st pdf** - Dec 27 2021

web cavalli libro sui cavalli per bambini con foto st cavalli libro sui cavalli per bambini con foto st 2 downloaded from 50storiesfortomorrow ilfu com on 2019 06 08 by guest sono immagini semplici con una cornice spessa e belle figure bei motivi c è qualcosa per ogni ragazza la forma del libro è quadrata e pratica e

*cavalli razze origini e curiosità copertina flessibile amazon it* - Dec 07 2022

web 12 50 5 00 di spedizione venduto da libgoggia visualizza tutte le 3 immagini cavalli razze origini e curiosità copertina flessibile 4 settembre 2019 di nicola jane swinney autore bob langrish fotografo marco crivelli traduttore 4 7 139 voti visualizza tutti i formati ed edizioni copertina flessibile

*i 15 migliori libri sui cavalli saggi e romanzi libri news* - Jul 14 2023

web jan 18 2023 libri sui cavalli per bambini e adulti romanzi saggi e manuali aggiornato il 18 gennaio 2023 da libristaff un'ampia selezione di libri sui cavalli con romanzi e saggi di ogni tipo per la cura la conoscenza e l'addestramento di questi meravigliosi animali addomesticati a partire quanto meno dal 3000 avanti cristo

**libri sui cavalli per bambini migliori libri cavalli per bambini** - Feb 26 2022

web jan 10 2017 nello specifico i libri sui cavalli per bambini non sono difficili da trovare basta fare una ricerca in rete oppure recarsi di persona in negozio subito prima di procedere all'acquisto di qualsiasi libro tieni a mente di controllare le condizioni delle pagine se sei alla ricerca di risparmiare potresti cercare il formato ebook da

**amazon it cavalli libri per bambini libri** - Feb 09 2023

web feb 17 2021 1 16 dei 28 risultati in cavalli risultati scopri questi risultati criaturas dimensionais a placa mística portoghese edition arte musica e fotografia per bambini libri su auto treni e mezzi di trasporto per bambini biografie per bambini computer e tecnologia per bambini famiglia problemi personali e sociali per bambini

*libri per bambini sui cavalli guida alla scelta* - Aug 03 2022

web nov 24 2022 in questo articolo troverai i migliori libri per bambini sui cavalli suddivisi per fasce d'età potrai trovare consigli per l'acquisto di un libro informativo sui cavalli di un romanzo sui cavalli o ancora di un albo illustrato sui cavalli pronto ad iniziare scopriamo insieme quali sono i libri consigliati

*i migliori libri sui cavalli libri sui cavalli arabi offerte online* - Mar 30 2022

web per questo sono moltissimi i racconti e i libri sui cavalli arabi che ci permettono di scoprire e ammirare con splendide

foto l'essenza della sua magia un libro sul cavallo arabo è una splendida idea regalo per chi ama la razza ma anche per chi  
[amazon it libri per bambini sui cavalli](#) - Aug 15 2023

web oppure consegna più rapida domani 5 lug disponibilità solo 4 ordina subito ulteriori in arrivo età 5 anni secondo gli  
editori libro da colorare cavalli per bambini e adulti 50 bellissimi motivi di cavalli per colorare e rilassarsi bonus promueve la  
creatività il

[migliori libri di cavalli per bambini 2023 classifica libri](#) - Oct 05 2022

web scopri tutti i migliori libri che parlano di questo tema sfogliando la nostra classifica aggiornata a agosto 2023 in questa  
selezione ti proponiamo diversi esempi di libri consigliati di cavalli per bambini venduti online in formato digitale o cartaceo  
[cavalli animali libri amazon it](#) - Mar 10 2023

web cavalli e pony piccoli libri con adesivi ediz a colori 65 586 prezzo consigliato 6 90 i cavalli scopro la natura con adesivi  
ediz a colori 22 599 unicorni libro da colorare per bambini più di 50 pagine da colorare con bellissimi ed amorevoli unicorni  
regali per bambini formato grande 233 1501 prezzo consigliato 15 80

*i 10 migliori libri sui cavalli per bambini notizie scientifiche it* - Jun 13 2023

web sep 25 2022 i 10 migliori libri sui cavalli per bambini 25 09 2022 charlotte il cavallo dei sogni vol 1 un cavallo per  
amico storie di cavalli un cavallo tutto mio amo i cavalli un cavallo da sogno storie di cavalli cavalli razze origini e curiosità il  
grande libro del cavallo liberi nel vento un cavallo invincibile storie di cavalli vol 16