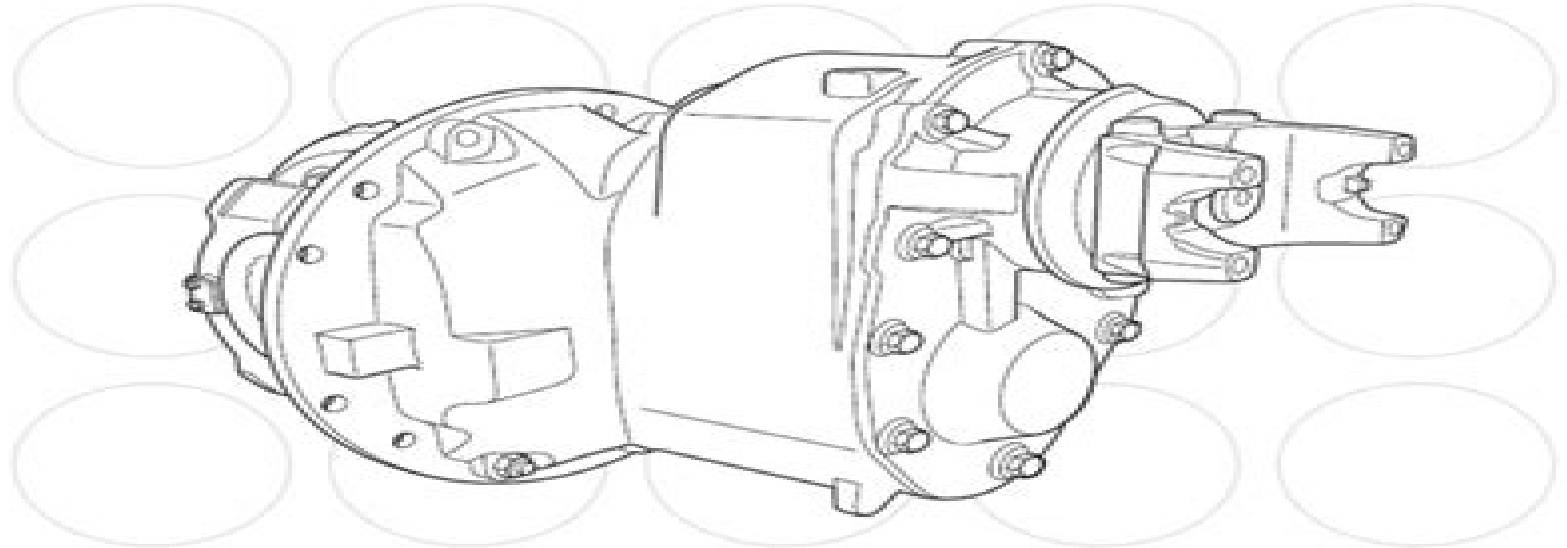


Maintenance Manual MM-0970

MT-14X Series Single-Reduction Forward Differential Carriers on Tandem Axles

Revised 07-12



Meritor Parts Manual

WJ Hussar



Meritor Parts Manual:

Uncover the mysteries within Crafted by is enigmatic creation, Embark on a Mystery with **Meritor Parts Manual** . This downloadable ebook, shrouded in suspense, is available in a PDF format (PDF Size: *). Dive into a world of uncertainty and anticipation. Download now to unravel the secrets hidden within the pages.

<https://staging.conocer.cide.edu/results/Resources/HomePages/nasser%20ma%20vie%20avec%20lui%20meacutemoires%20dune%20femme%20de%20preacutesident.pdf>

Table of Contents Meritor Parts Manual

1. Understanding the eBook Meritor Parts Manual
 - The Rise of Digital Reading Meritor Parts Manual
 - Advantages of eBooks Over Traditional Books
2. Identifying Meritor Parts Manual
 - Exploring Different Genres
 - Considering Fiction vs. Non-Fiction
 - Determining Your Reading Goals
3. Choosing the Right eBook Platform
 - Popular eBook Platforms
 - Features to Look for in an Meritor Parts Manual
 - User-Friendly Interface
4. Exploring eBook Recommendations from Meritor Parts Manual
 - Personalized Recommendations
 - Meritor Parts Manual User Reviews and Ratings
 - Meritor Parts Manual and Bestseller Lists
5. Accessing Meritor Parts Manual Free and Paid eBooks
 - Meritor Parts Manual Public Domain eBooks
 - Meritor Parts Manual eBook Subscription Services
 - Meritor Parts Manual Budget-Friendly Options

6. Navigating Meritor Parts Manual eBook Formats
 - ePub, PDF, MOBI, and More
 - Meritor Parts Manual Compatibility with Devices
 - Meritor Parts Manual Enhanced eBook Features
7. Enhancing Your Reading Experience
 - Adjustable Fonts and Text Sizes of Meritor Parts Manual
 - Highlighting and Note-Taking Meritor Parts Manual
 - Interactive Elements Meritor Parts Manual
8. Staying Engaged with Meritor Parts Manual
 - Joining Online Reading Communities
 - Participating in Virtual Book Clubs
 - Following Authors and Publishers Meritor Parts Manual
9. Balancing eBooks and Physical Books Meritor Parts Manual
 - Benefits of a Digital Library
 - Creating a Diverse Reading Collection Meritor Parts Manual
10. Overcoming Reading Challenges
 - Dealing with Digital Eye Strain
 - Minimizing Distractions
 - Managing Screen Time
11. Cultivating a Reading Routine Meritor Parts Manual
 - Setting Reading Goals Meritor Parts Manual
 - Carving Out Dedicated Reading Time
12. Sourcing Reliable Information of Meritor Parts Manual
 - Fact-Checking eBook Content of Meritor Parts Manual
 - Distinguishing Credible Sources
13. Promoting Lifelong Learning
 - Utilizing eBooks for Skill Development
 - Exploring Educational eBooks
14. Embracing eBook Trends
 - Integration of Multimedia Elements

- Interactive and Gamified eBooks

Meritor Parts Manual Introduction

Meritor Parts Manual Offers over 60,000 free eBooks, including many classics that are in the public domain. Open Library: Provides access to over 1 million free eBooks, including classic literature and contemporary works. Meritor Parts Manual Offers a vast collection of books, some of which are available for free as PDF downloads, particularly older books in the public domain. Meritor Parts Manual : This website hosts a vast collection of scientific articles, books, and textbooks. While it operates in a legal gray area due to copyright issues, its a popular resource for finding various publications. Internet Archive for Meritor Parts Manual : Has an extensive collection of digital content, including books, articles, videos, and more. It has a massive library of free downloadable books. Free-eBooks Meritor Parts Manual Offers a diverse range of free eBooks across various genres. Meritor Parts Manual Focuses mainly on educational books, textbooks, and business books. It offers free PDF downloads for educational purposes. Meritor Parts Manual Provides a large selection of free eBooks in different genres, which are available for download in various formats, including PDF. Finding specific Meritor Parts Manual, especially related to Meritor Parts Manual, might be challenging as theyre often artistic creations rather than practical blueprints. However, you can explore the following steps to search for or create your own Online Searches: Look for websites, forums, or blogs dedicated to Meritor Parts Manual, Sometimes enthusiasts share their designs or concepts in PDF format. Books and Magazines Some Meritor Parts Manual books or magazines might include. Look for these in online stores or libraries. Remember that while Meritor Parts Manual, sharing copyrighted material without permission is not legal. Always ensure youre either creating your own or obtaining them from legitimate sources that allow sharing and downloading. Library Check if your local library offers eBook lending services. Many libraries have digital catalogs where you can borrow Meritor Parts Manual eBooks for free, including popular titles. Online Retailers: Websites like Amazon, Google Books, or Apple Books often sell eBooks. Sometimes, authors or publishers offer promotions or free periods for certain books. Authors Website Occasionally, authors provide excerpts or short stories for free on their websites. While this might not be the Meritor Parts Manual full book , it can give you a taste of the authors writing style. Subscription Services Platforms like Kindle Unlimited or Scribd offer subscription-based access to a wide range of Meritor Parts Manual eBooks, including some popular titles.

FAQs About Meritor Parts Manual Books

How do I know which eBook platform is the best for me? Finding the best eBook platform depends on your reading preferences and device compatibility. Research different platforms, read user reviews, and explore their features before

making a choice. Are free eBooks of good quality? Yes, many reputable platforms offer high-quality free eBooks, including classics and public domain works. However, make sure to verify the source to ensure the eBook credibility. Can I read eBooks without an eReader? Absolutely! Most eBook platforms offer web-based readers or mobile apps that allow you to read eBooks on your computer, tablet, or smartphone. How do I avoid digital eye strain while reading eBooks? To prevent digital eye strain, take regular breaks, adjust the font size and background color, and ensure proper lighting while reading eBooks. What the advantage of interactive eBooks? Interactive eBooks incorporate multimedia elements, quizzes, and activities, enhancing the reader engagement and providing a more immersive learning experience. Meritor Parts Manual is one of the best book in our library for free trial. We provide copy of Meritor Parts Manual in digital format, so the resources that you find are reliable. There are also many Ebooks of related with Meritor Parts Manual. Where to download Meritor Parts Manual online for free? Are you looking for Meritor Parts Manual PDF? This is definitely going to save you time and cash in something you should think about.

Find Meritor Parts Manual :

[nasser ma vie avec lui meacutemoires dune femme de preacutesident](#)

[n2 question paper mathematics march 2014](#)

n3 mathematics question paper for november 2014 and memos

na basic text 6th edition

[n2 industrial electronics question papers and memorandum](#)

[nakita the hedonists book 1](#)

[naked and horny in the woods hot lesbian erotica](#)

narco escort ii installation manual

[na step working guide step 1](#)

[nasa 4page report](#)

[nailed by dragons dragon erotica](#)

[name something people pull down family feud](#)

n3 electrical trade theory question paper

[nakamichi cd 700 manual](#)

nakamichi dragon user guide

Meritor Parts Manual :

hydrocarbon structures and isomers article khan academy - Mar 10 2023

web hydrocarbon chains are formed by a series of bonds between carbon atoms these chains may be long or short for instance ethane contains just two carbons in a row while decane contains ten not all hydrocarbons are straight chains

organic chemistry are hydrocarbons compounds of hydrogen and carbon - Jun 01 2022

web dec 28 2022 viewed 118 times 2 is it the same to say hydrocarbons are compounds of hydrogen and carbon as saying hydrocarbons are compounds of carbon and hydrogen i got a b in my chemistry test just because of writing hydrogen and carbon instead of carbon and hydrogen

hydrocarbons test questions edexcel gcse chemistry single - Mar 30 2022

web what is meant by the term saturated when applied to hydrocarbons molecules containing at least one c c double bond that all carbon atoms are joined by c c single bonds molecules containing

carbon and hydrocarbons article khan academy - Feb 09 2023

web the element carbon and why it s essential to life as we know it properties and bonding patterns of carbon atoms

hydrocarbons national 4 chemistry revision bbc - Sep 04 2022

web chemistry fuels and hydrocarbons revise test 1 2 3 hydrocarbons hydrocarbons are chemical compounds that contain the elements carbon and hydrogen only they are compounds that are obtained

hydrocarbon chemical reactions britannica - Nov 06 2022

web home science chemistry chemical reactions as is true for all hydrocarbons alkanes burn in air to produce carbon dioxide CO_2 and water H_2O and release heat the combustion of 2 2 4 trimethylpentane is expressed by the following chemical equation

organic chemistry questions and answers hydrocarbons - Jul 02 2022

web this set of organic chemistry multiple choice questions answers mcqs focuses on hydrocarbons 1 hydrocarbons are organic compounds with element a hydrogen b oxygen c carbon d both hydrogen and carbon view answer 2

hydrocarbon compounds - Dec 27 2021

web organic chemistry and hydrocarbons hydrocarbons are carbon containing organic compounds that provide a source of energy carbon has four valence electrons so a carbon atom always forms four covalent bonds hydrocarbons are nonpolar molecules alkanes alkanes are hydrocarbons that contain only single covalent bonds either

hydrocarbon definition types facts britannica - Apr 11 2023

web hydrocarbon any of a class of organic chemical compounds composed only of the elements carbon and hydrogen hydrocarbons are the principal constituents of petroleum and natural gas and serve as fuels lubricants and raw materials for

various products learn about the types structures and uses of hydrocarbons

[chapter 1 organic chemistry review hydrocarbons che 120](#) - Jan 28 2022

web dec 10 2022 hydrocarbons are the simplest organic compounds but they have interesting physiological effects these effects depend on the size of the hydrocarbon molecules and where on or in the body they are applied alkanes of low molar mass those with from 1 to approximately 10 or so carbon atoms are gases or light liquids that act

[carbon capture technology is running out of time to prove itself](#) - Aug 03 2022

web sep 13 2023 it s been a frustrating journey some 78 of large scale demonstration and pilot projects initiated between 1995 to 2018 have been canceled or put on hold according to a 2021 study high costs

[hydrocarbons and functional groups practice khan academy](#) - Jan 08 2023

web choose 1 answer hydrocarbons that contain only single covalent bonds between carbon atoms are known as alkanes hydrocarbons that contain only single covalent bonds between carbon atoms are known as alkenes hydrocarbons can have the same molecular formula but different molecular geometries b

biology chapter 4 flashcards quizlet - Apr 30 2022

web carbon s atomic number is 6 this means that it has 6 electrons after completing the first energy level carbon has 4 valence electrons and can form 4 bonds 4 molecules that contain only carbon and hydrogen are called hydrocarbons

hydrocarbons quiz questions with solutions vedantu - Feb 26 2022

web solve these hydrocarbons questions and sharpen your practice problem solving skills we have quizzes covering each and every topic of organic chemistry and other concepts of chemistry we have carefully curated multiple quizzes with varying difficulty levels for a well rounded practice session 1066 attempts made on this topic created by experts

[2 1 hydrocarbons chem openstax chemistry libretexts](#) - Oct 05 2022

web jul 21 2020 alkanes or saturated hydrocarbons contain only single covalent bonds between carbon atoms each of the carbon atoms in an alkane has sp^3 hybrid orbitals and is bonded to four other atoms each of which is either carbon or hydrogen the lewis structures and models of methane ethane and pentane are illustrated in figure 2 1

10 2 hydrocarbons chemistry libretexts - Jun 13 2023

web feb 13 2021 the simplest organic compounds are hydrocarbons and are composed of carbon and hydrogen hydrocarbons can be aliphatic or aromatic aliphatic hydrocarbons are divided into alkanes alkenes and alkynes the combustion of hydrocarbons is a primary source of energy for our society define hydrocarbon

[hydrocarbons organic chemistry worksheets 14 16](#) - Jul 14 2023

web resources hydrocarbons by rob king bookmark differentiated editable worksheets providing a wide range of assessment questions exploring hydrocarbons including structural formulae writing word equations and balancing symbol

22 2 hydrocarbons compounds containing only carbon and - May 12 2023

web most hydrocarbons are nonpolar because of the close electronegativities of the c and h atoms as such they dissolve only sparingly in h₂o and other polar solvents small hydrocarbons such as methane and ethane are gases at room temperature while larger hydrocarbons such as hexane and octane are liquids

hydrocarbon overview video khan academy - Dec 07 2022

web william h 7 years ago no those are names of types hydrocarbons alkaline is another word for basic 26 votes upvote flag show more

carbon and hydrocarbons article khan academy - Aug 15 2023

web carbon and hydrocarbons ap bio ene 1 eu ene 1 a lo ene 1 a 2 ek google classroom the element carbon and why it s essential to life as we know it properties and bonding patterns of carbon atoms introduction carbon isn t a

le deuxime sexe tome 1 folio essais french edition biblio - Feb 25 2022

web we have 12 copies of le deuxime sexe tome 1 folio essais french edition for sale starting from 3 98

le deuxième sexe tome 1 folio essais french edition - Mar 29 2022

web outre le célèbre deuxième sexe paru en 1949 et devenu l ouvrage de référence du mouvement féministe mondial l oeuvre théorique de simone de beauvoir comprend de

le deuxième sexe tome 1 folio essais french edition - Jan 07 2023

web abebooks com le deuxième sexe tome 1 folio essais french edition 9782070323517 by beauvoir simone de and a great selection of similar new used

le deuxième sexe tome 1 les faits et les mythes a32351 - Apr 29 2022

web viennent ensuite le sang des autres 1945 tous les hommes sont mortels 1946 les mandarins prix goncourt 1954 les belles images 1966 et la femme rompue 1968

le deuxième sexe tome 1 les faits et les mythes beauvoir - Sep 03 2022

web le deuxième sexe tome 1 les faits et les mythes de beauvoir simone de sur abebooks fr isbn 10 207032351x isbn 13 9782070323517 folio essais

le deuxieme sexe tome 1 les faits et les mythes - May 11 2023

web apr 21 1986 buy le deuxieme sexe tome 1 les faits et les mythes a32351 folio essais by beauvoir simone de isbn 9782070323517 from amazon s book store

pdf le deuxième sexe i par simone de beauvoir yumpu - Dec 26 2021

web aug 17 2020 participer au mitsein humain simone de beauvoir livre le deuxième sexe i par simone de beauvoir lire en ligne le deuxième sexe i par simone de beauvoir

le deuxième sexe tome 1 les faits et les mythes babelio - Jul 01 2022

web alors lisons cet essai sur les femmes écrit par une femme simone de beauvoir premier des deux tomes qui composent le deuxième sexe cet ouvrage est divisé en 3

le deuxième sexe 1 les faits et les mythes folio essais band - Feb 08 2023

web le deuxième sexe 1 les faits et les mythes folio essais band 1 beauvoir simone de isbn 9782070323517 kostenloser versand für alle bücher mit versand und verkauf

le deuxième sexe tome 1 folio essais french edition - Apr 10 2023

web apr 21 1986 le deuxième sexe tome 1 folio essais french edition pocket book april 21 1986 french edition by simone de beauvoir author 4 6 894 ratings book 1 of

le deuxième sexe tome 1 poche decitre - Mar 09 2023

web 07 07 2003 editeur gallimard collection folio essais

le deuxième sexe the second sex 2 folio essais french - Jan 27 2022

web abebooks com le deuxième sexe the second sex 2 folio essais french edition 9782070323524 by simone de beauvoir and a great selection of similar new used

le deuxième sexe 1 thalia - Aug 02 2022

web folio essais le deuxième sexe 1 les faits et les mythes simone de beauvoir buch taschenbuch französisch

livre le deuxième sexe folio - Jul 13 2023

web livre le deuxième sexe folio accueil folio essais le deuxième sexe voir la dernière de couverture télécharger la couverture simone de beauvoir le deuxième sexe tome 1

le deuxième sexe 1 les faits et les mythes folio - Jun 12 2023

web le deuxième sexe 1 les faits et les mythes folio essais beauvoir simone de amazon com tr kitap

207032351x le deuxième sexe tome 1 folio essais french - Dec 06 2022

web le deuxième sexe tome 1 folio essais french edition by beauvoir simone de and a great selection of related books art and collectibles available now at abebooks com

folio folio essais librairie gallimard tout le fonds - Oct 04 2022

web comment l orgueil humain a t il dévié de violentes polémiques ont accompagné la sortie de cet essai les contemporains de camus n étaient pas mûrs pour admettre des

9782070323524 le deuxième sexe the second sex 2 folio - Oct 24 2021

web le deuxième sexe the second sex folio essais french edition french language soft cover simone de beauvoir published by gallimard 1976 isbn 10

le deuxieme sexe the second sex 2 folio essais french - Nov 24 2021

web apr 1 1986 le deuxieme sexe the second sex 2 folio essais french edition simone de beauvoir 9782070323524 amazon com books books

deuxieme sexe folio essais mitpressbookstore - May 31 2022

web deuxieme sexe folio essais simone de beauvoir simone beauvoir beauvoir current price 33 95 publication date april 1st 1986 publisher gallimard education isbn

ferrari domine les essais libre reuters - Aug 22 2021

web 7 hours ago vainqueur des essais libres 1 et 2 ce week end de formule 1 est peut être enfin pour ferrari vainqueur des premiers essais libres de la journée charles leclerc a

2070323528 le deuxieme sexe the second sex 2 folio essais - Sep 22 2021

web le deuxieme sexe tome 2 l esperience vecue folio essais by simone de beauvoir and a great selection of related books art and collectibles available now at

le deuxime sexe tome 1 folio essais french edition by - Nov 05 2022

web noté 5 retrouvez le deuxime sexe tome 1 folio essais french edition by simone de beauvoir 1986 04 21 et des millions de livres en stock sur amazon fr achetez neuf

le deuxième sexe folio essais folio gallimard site - Aug 14 2023

web le deuxième sexe tome i les faits et les mythes collection folio essais n 37 gallimard parution 21 04 1986 nous commencerons par discuter les points de vue

tietz textbook of clinical chemistry and molecular diagnostics - Dec 07 2022

web the tietz textbook of clinical chemistry and molecular diagnostics 6th edition provides the most current and authoritative guidance on selecting performing and evaluating the results of new and established laboratory tests

tietz textbook of clinical chemistry third edition carl a burtis - Oct 05 2022

web jun 1 1999 tietz textbook of clinical chemistry third edition carl a burtis and edward r ashwood eds philadelphia pa wb saunders 1998 1917 pp 195 00 isbn 0 7216 5610 2 martin kroll clinical chemistry volume 45 issue 6 1 june 1999 pages 913 914 doi org 10 1093 clinchem 45 6 913 published 01 june 1999 pdf split

tietz textbook of clinical chemistry open library - Feb 26 2022

web mar 4 2023 tietz textbook of clinical chemistry by norbert w tietz 1994 saunders edition in english 2nd ed edited by carl a burtis edward r ashwood

tietz fundamentals of clinical chemistry 6th edition carl a - Jan 08 2023

web nov 1 2008 tietz fundamentals of clinical chemistry 6th edition carl a burtis edward r ashwood and david e bruns

editors st louis mo saunders elsevier 2008 976 pp 96 95 isbn 978 0 7216 3865 2 klaus jung clinical chemistry volume 54 issue 11 1 november 2008 page 1933 doi org 10 1373 clinchem 2007 101378

tietz fundamentals of clinical chemistry fifth edition carl a - Nov 06 2022

web jan 1 2002 tietz fundamentals of clinical chemistry fifth edition carl a burtis and edward r ashwood eds philadelphia wb saunders 2001 1091 pp 75 00 isbn 0 7216 8634 6

tietz textbook of clinical chemistry and molecular diagnostics - Jun 01 2022

web dec 16 2011 as the definitive reference for clinical chemistry tietz textbook of clinical chemistry and molecular diagnostics 5th edition offers the most current and authoritative guidance on

pdf tietz textbook of clinical chemistry and molecular diagnostics - Mar 10 2023

web the following section on appendix containing reference interval information molecular diagnostics and genetics is a comprehensive everything from setting up a method through to inborn guide to this newly emerging aspect of the clinical chemistry errors of metabolism is covered over the 60 chapters the laboratory

tietz fundamentals of clinical chemistry and molecular elsevier - Aug 03 2022

web dec 7 2018 get the foundational knowledge you need to successfully work in a real world clinical lab with tietz fundamentals of clinical chemistry and molecular diagnostics 8th edition from highly respected clinical chemistry expert nader rifai this condensed easier to understand version of the acclaimed tietz textbook of clinical chemistry and

[tietz fundamentals of clinical chemistry and molecular diagnostics](#) - Jan 28 2022

web jul 16 2019 from highly respected clinical chemistry expert nader rifai this condensed easier to understand version of the acclaimed tietz textbook of clinical chemistry and molecular diagnostics

[tietz textbook of clinical chemistry and molecular elsevier](#) - Jun 13 2023

web feb 27 2017 elsevier ebook on vitalsource the tietz textbook of clinical chemistry and molecular diagnostics 6th edition provides the most current and authoritative guidance on selecting performing and evaluating the results of new and established laboratory tests

tietz fundamentals of clinical chemistry and molecular diagnostics - Feb 09 2023

web dec 21 2018 tietz fundamentals of clinical chemistry and molecular diagnostics 134 99 this title has not yet been released get the foundational knowledge you need to successfully work in a real world clinical lab with tietz fundamentals of clinical chemistry and molecular diagnostics 8th edition

tietz textbook of clinical chemistry and molecular diagnostics - May 12 2023

web jun 1 2006 tietz textbook of clinical chemistry and molecular diagnostics fourth edition carl a burtis edward r ashwood and david e bruns editors st louis mo elsevier saunders 2006 2448 pp 229 00 hardcover isbn 0 7216 0189 8

tietz textbook of clinical chemistry and molecular diagnostics - Apr 30 2022

web tietz textbook of clinical chemistry and molecular diagnostics bridging the gap between the clinical laboratory and medical management by relating pathophysiology to analytical results in health and disease this classic resource provides the guidance necessary to select perform and evaluate the results of new and established laboratory

tietz textbook of clinical chemistry and molecular diagnostics - Sep 04 2022

web oct 4 2012 tietz textbook of clinical chemistry and molecular diagnostics is an internationally recognized definitive reference text for clinical laboratory scientists and chemical pathologists this fifth edition has been produced six years after the preceding one by the same editorial team and is split into five main sections principles of laboratory

tietz fundamentals of clinical chemistry and molecular - Mar 30 2022

web feb 26 2014 carl a burtis david e bruns elsevier health sciences feb 26 2014 medical 1104 pages a condensed easier to understand student version of the acclaimed tietz textbook of clinical chemistry and molecular diagnostics tietz fundamentals of clinical chemistry and molecular diagnostics 7th edition uses a laboratory

tietz textbook of clinical chemistry and molecular diagnostics - Dec 27 2021

web summary as the definitive reference for clinical chemistry tietz textbook of clinical chemistry and molecular diagnostics 5th edition offers the most current and authoritative guidance on selecting performing and evaluating

tietz fundamentals of clinical chemistry and molecular elsevier - Apr 11 2023

web from highly respected clinical chemistry expert nader rifai this condensed easier to understand version of the acclaimed tietz textbook of clinical chemistry and molecular diagnostics uses a laboratory perspective to guide you through selecting and performing diagnostic lab tests and accurately evaluating the results coverage includes

tietz textbook of laboratory medicine 7th edition - Jul 02 2022

web jun 6 2022 comprehensive coverage includes the latest advances in topics such as clinical chemistry genetic metabolic disorders molecular diagnostics hematology and coagulation clinical microbiology transfusion medicine and clinical immunology

tietz textbook of clinical chemistry and molecular diagnostics - Jul 14 2023

web jan 16 2017 the tietz textbook of clinical chemistry and molecular diagnostics 6th edition provides the most current and authoritative guidance on selecting performing and evaluating the results of new

tietz fundamentals of clinical chemistry and molecular - Aug 15 2023

web jun 22 2018 from highly respected clinical chemistry expert nader rifai this condensed easier to understand version of the acclaimed tietz textbook of clinical chemistry and molecular diagnostics uses a laboratory perspective to guide you through selecting and performing diagnostic lab tests and accurately evaluating the results

