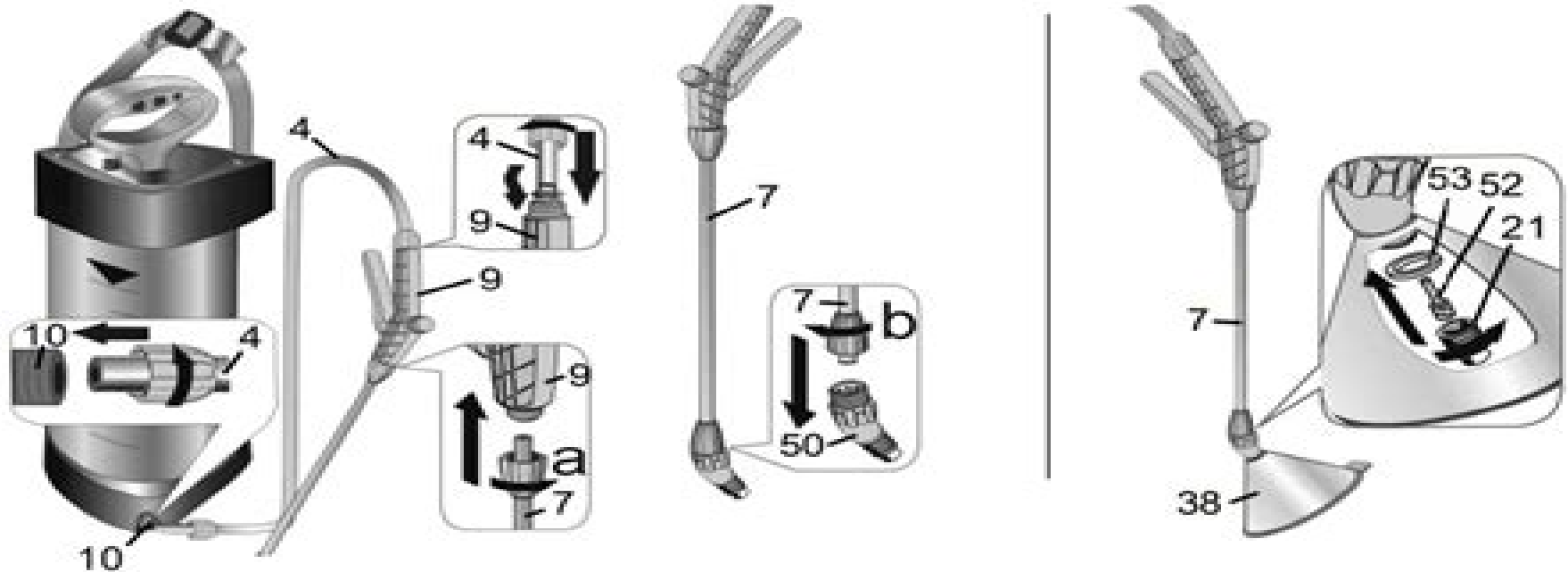




1



3

Mesto Parts Manual

Guillaume Favre



Mesto Parts Manual:

Proceedings of AF-SD/Industry/NASA Conference and Workshops on Mission Assurance ,1984 **A Musical Manual, or Technical directory, etc** Thomas BUSBY,1828 **The Lincoln Library of Essential Information an Up to Date Manual for Daily Reference, for Self Instruction, and for General Culture Named in Appreciative Remembrance of Abraham Lincoln, the Foremost American Exemplar of Self Education** ,1924 Novello's Catalogue of Orchestral Music A. Rosenkranz,1902 Catalog of Copyright Entries. Part 1. [B] Group 2. Pamphlets, Etc. New Series Library of Congress. Copyright Office,1945 *Mergent Industrial Manual* ,2003 Pipe Organ Method Clarence Eddy,1917
Recorded Sound ,1976 **A Method for Pipe Organ** Clarence Eddy,1917 **A Manual of Ancient Geography** Leonhard Schmitz,1857

Delve into the emotional tapestry woven by Emotional Journey with in Experience **Mesto Parts Manual** . This ebook, available for download in a PDF format (*), is more than just words on a page; it's a journey of connection and profound emotion. Immerse yourself in narratives that tug at your heartstrings. Download now to experience the pulse of each page and let your emotions run wild.

<https://staging.conocer.cide.edu/results/virtual-library/fetch.php/ehardware%20verification%20language.pdf>

Table of Contents Mesto Parts Manual

1. Understanding the eBook Mesto Parts Manual
 - The Rise of Digital Reading Mesto Parts Manual
 - Advantages of eBooks Over Traditional Books
2. Identifying Mesto Parts Manual
 - Exploring Different Genres
 - Considering Fiction vs. Non-Fiction
 - Determining Your Reading Goals
3. Choosing the Right eBook Platform
 - Popular eBook Platforms
 - Features to Look for in an Mesto Parts Manual
 - User-Friendly Interface
4. Exploring eBook Recommendations from Mesto Parts Manual
 - Personalized Recommendations
 - Mesto Parts Manual User Reviews and Ratings
 - Mesto Parts Manual and Bestseller Lists
5. Accessing Mesto Parts Manual Free and Paid eBooks
 - Mesto Parts Manual Public Domain eBooks
 - Mesto Parts Manual eBook Subscription Services
 - Mesto Parts Manual Budget-Friendly Options

6. Navigating Mesto Parts Manual eBook Formats
 - ePub, PDF, MOBI, and More
 - Mesto Parts Manual Compatibility with Devices
 - Mesto Parts Manual Enhanced eBook Features
7. Enhancing Your Reading Experience
 - Adjustable Fonts and Text Sizes of Mesto Parts Manual
 - Highlighting and Note-Taking Mesto Parts Manual
 - Interactive Elements Mesto Parts Manual
8. Staying Engaged with Mesto Parts Manual
 - Joining Online Reading Communities
 - Participating in Virtual Book Clubs
 - Following Authors and Publishers Mesto Parts Manual
9. Balancing eBooks and Physical Books Mesto Parts Manual
 - Benefits of a Digital Library
 - Creating a Diverse Reading Collection Mesto Parts Manual
10. Overcoming Reading Challenges
 - Dealing with Digital Eye Strain
 - Minimizing Distractions
 - Managing Screen Time
11. Cultivating a Reading Routine Mesto Parts Manual
 - Setting Reading Goals Mesto Parts Manual
 - Carving Out Dedicated Reading Time
12. Sourcing Reliable Information of Mesto Parts Manual
 - Fact-Checking eBook Content of Mesto Parts Manual
 - Distinguishing Credible Sources
13. Promoting Lifelong Learning
 - Utilizing eBooks for Skill Development
 - Exploring Educational eBooks
14. Embracing eBook Trends
 - Integration of Multimedia Elements

- Interactive and Gamified eBooks

Mesto Parts Manual Introduction

In the digital age, access to information has become easier than ever before. The ability to download Mesto Parts Manual has revolutionized the way we consume written content. Whether you are a student looking for course material, an avid reader searching for your next favorite book, or a professional seeking research papers, the option to download Mesto Parts Manual has opened up a world of possibilities. Downloading Mesto Parts Manual provides numerous advantages over physical copies of books and documents. Firstly, it is incredibly convenient. Gone are the days of carrying around heavy textbooks or bulky folders filled with papers. With the click of a button, you can gain immediate access to valuable resources on any device. This convenience allows for efficient studying, researching, and reading on the go. Moreover, the cost-effective nature of downloading Mesto Parts Manual has democratized knowledge. Traditional books and academic journals can be expensive, making it difficult for individuals with limited financial resources to access information. By offering free PDF downloads, publishers and authors are enabling a wider audience to benefit from their work. This inclusivity promotes equal opportunities for learning and personal growth. There are numerous websites and platforms where individuals can download Mesto Parts Manual. These websites range from academic databases offering research papers and journals to online libraries with an expansive collection of books from various genres. Many authors and publishers also upload their work to specific websites, granting readers access to their content without any charge. These platforms not only provide access to existing literature but also serve as an excellent platform for undiscovered authors to share their work with the world. However, it is essential to be cautious while downloading Mesto Parts Manual. Some websites may offer pirated or illegally obtained copies of copyrighted material. Engaging in such activities not only violates copyright laws but also undermines the efforts of authors, publishers, and researchers. To ensure ethical downloading, it is advisable to utilize reputable websites that prioritize the legal distribution of content. When downloading Mesto Parts Manual, users should also consider the potential security risks associated with online platforms. Malicious actors may exploit vulnerabilities in unprotected websites to distribute malware or steal personal information. To protect themselves, individuals should ensure their devices have reliable antivirus software installed and validate the legitimacy of the websites they are downloading from. In conclusion, the ability to download Mesto Parts Manual has transformed the way we access information. With the convenience, cost-effectiveness, and accessibility it offers, free PDF downloads have become a popular choice for students, researchers, and book lovers worldwide. However, it is crucial to engage in ethical downloading practices and prioritize personal security when utilizing online platforms. By doing so, individuals can make the most of the vast array of free PDF resources available and embark on a journey of continuous learning and intellectual growth.

FAQs About Mesto Parts Manual Books

How do I know which eBook platform is the best for me? Finding the best eBook platform depends on your reading preferences and device compatibility. Research different platforms, read user reviews, and explore their features before making a choice. Are free eBooks of good quality? Yes, many reputable platforms offer high-quality free eBooks, including classics and public domain works. However, make sure to verify the source to ensure the eBook credibility. Can I read eBooks without an eReader? Absolutely! Most eBook platforms offer web-based readers or mobile apps that allow you to read eBooks on your computer, tablet, or smartphone. How do I avoid digital eye strain while reading eBooks? To prevent digital eye strain, take regular breaks, adjust the font size and background color, and ensure proper lighting while reading eBooks. What the advantage of interactive eBooks? Interactive eBooks incorporate multimedia elements, quizzes, and activities, enhancing the reader engagement and providing a more immersive learning experience. Mesto Parts Manual is one of the best book in our library for free trial. We provide copy of Mesto Parts Manual in digital format, so the resources that you find are reliable. There are also many Ebooks of related with Mesto Parts Manual. Where to download Mesto Parts Manual online for free? Are you looking for Mesto Parts Manual PDF? This is definitely going to save you time and cash in something you should think about.

Find Mesto Parts Manual :

[ehardware verification language](#)

[effects of the roadless policy on rural small business and rural communities](#)

[ei fin de la locura](#)

[edward gibbon](#)

[edward wilmot blyden pan-negro patriot 1832-1912](#)

eighth grade

een leven in brieven meulenhoff pocket editie

[eec fisheries law](#)

edwin morgan collected translations

eimar oduffy

ein glaubenswort fur jeden tag first edition

[edward lears nonsense abes](#)

[effectiveness of innovative approaches in the treatment of drug abuse](#)

[egyptian ancient eastern painting](#)

effects of atomic radiation a half-century of studies from hiroshima and nagasaki

Mesto Parts Manual :

10 fascinating facts about the liberty bell constitution center - Jan 24 2023

web jul 8 2023 here are some of the facts we do know about the liberty bell and some theories to answer the other big questions about the bell s travels 1 the liberty bell pre dates the revolution the pennsylvania assembly had the liberty bell made in 1751 to mark the 50 year anniversary of william penn s 1701 charter of privileges which served

top 10 outstanding facts about the liberty bell discover walks - Jan 12 2022

web apr 17 2022 the bell is said to have rang to mark the reading of the united states of america declaration of independence 2 the bell was adopted as liberty bell in 1830 after american independence was secured the bell fell into relative obscurity until in the 1830s the bell was adopted as a symbol by abolitionist societies who dubbed it the

liberty bell facts softschools com - Jun 16 2022

web the original liberty bell was cast in 1752 in london england it was hung in the pennsylvania state house in philadelphia pennsylvania united states which was later renamed independence hall it cracked the first time it was rung and was then recast by local artisans twice for the same reason some believe that in 1846 it was rung to

[liberty bell facts for kids](#) - Oct 01 2023

web oct 16 2023 images for kids pennsylvania state house as it appeared in the 1770s the liberty bell s arrival at zion reformed church in allentown pennsylvania on september 24 1777 is depicted in this watercolor painting the liberty bell was hidden in allentown for nine months until its june 27 1778 return to philadelphia

[liberty bell facts for kids the edvocate](#) - Oct 21 2022

web here are some interesting facts about the liberty bell that kids will enjoy learning about 1 it weighs over 2 000 pounds the liberty bell is made of copper and tin and weighs 2 080 pounds 2 it was made in 1752 the liberty bell was made in london england and was shipped to philadelphia in 1752

liberty bell facts for kids archives american history for kids - Nov 09 2021

web april 1 2016 sometimes ordinary objects become special over time the liberty bell is just such an object the liberty bell began its life as an ordinary bell ordered from london to ring at the pennsylvania state house in philadelphia everyone was excited when the bell was delivered to the state house in 1751

[liberty bell museum facts for kids](#) - Nov 21 2022

web liberty bell museum facts for kids the liberty bell museum also the liberty bell shrine museum is a non profit

organization and museum located in zion s united church of christ formerly zion s reformed church in allentown pennsylvania in the united states

21 fun facts about the liberty bell tripsavvy - Feb 22 2023

web sep 20 2019 found in philadelphia the liberty bell has been a treasured american icon for centuries drawing visitors from near and far who come to marvel at its size beauty and of course its infamous crack in philadelphia but do you know what note the bell strikes or when it was last rung

fun liberty bell facts for kids - Aug 31 2023

web the liberty bell is just such an object the liberty bell began its life as an ordinary bell ordered from london to ring at the pennsylvania state house in philadelphia everyone was excited when the bell was delivered to the state house in 1751

liberty bell facts for kids konnecthq - May 28 2023

web liberty bell facts for kids its a symbol of the united states independence the bell cracked the first time it rang it was recast by john pass and john stow it was named the liberty bell in the 1830s by anti slavery supporters a liberty bell image can be found on stamps and money it was a symbol of freedom during the cold war

the liberty bell facts worksheets first bell for kids - May 16 2022

web jun 27 2023 the liberty bell is a significant symbol of american independence the bell is located in the liberty bell center independence national historical park in philadelphia pennsylvania worksheets social studies us history the liberty bell facts worksheets premium download the the liberty bell facts worksheets

liberty bell students britannica kids homework help - Apr 14 2022

web article images videos related at the first public reading of the declaration of independence on july 8 1776 in philadelphia a large bell is said to have been rung now called the liberty bell it has become a well known symbol of

the story of the liberty bell social studies for kids - Sep 19 2022

web the liberty bell one of america s most treasured artifacts first tolled on july 8 1776 announcing a new birth of freedom throughout the land since then it has endured as a symbol of the liberty that americans enjoy under their representative form of government

liberty bell facts for kids kidzsearch com - Mar 26 2023

web language kidzsearch com wiki liberty bell the liberty bell is an important symbol of american freedom the liberty bell is an important and famous symbol of american independence freedom it used to be in the pennsylvania state house now known as independence hall

fascinating facts of liberty bell facts for kids 2023 cool kid facts - Jun 28 2023

web interesting facts for kids about the liberty bell the abolitionist society inspired the name of the bell after america won its

independence everyone forgot the bell for some time the abolitionist societies used the bell as a symbol later in the 1830s and gave it the name liberty bell but this was not its original name

liberty bell ruby facts for kids - Feb 10 2022

web the liberty bell ruby is a sculpture crafted from the world s largest mined ruby discovered in east africa in the 1950s it weighs four pounds is eight and a half thousand carats and is sculpted into a miniature form of the liberty bell it

the liberty bell annual facts for kids - Jul 18 2022

web background in 1834 maria chapman of boston massachusetts her sisters caroline anne deborah and eight other women formed the boston female anti slavery society as part of their abolitionist activities the anti slavery fair first held in boston in 1834 was a way to raise money for the society s work

50 unknown liberty bell facts for kids agkidzone - Dec 23 2022

web jun 10 2022 historical liberty bell facts for kids the liberty bell was ordered from london to ring at the pennsylvania state house in philadelphia but the first time it was rung a terrible noise occurred and a wide crack appeared on its side after the bell cracked two workers named john pass and john stow offered to fix it

liberty bell facts lesson for kids study com - Aug 19 2022

web 13k views the writing on the side of the liberty bell the liberty bell as a bell when the liberty bell was first made it was called the state house bell because of its place in the

11 liberty bell facts for kids facts net - Apr 26 2023

web sep 23 2023 a prominent symbol of american independence the liberty bell it s not just any bell it s a symbol that reminds us of freedom courage and the exciting journey of the united states let s uncover 11 liberty bell facts for kids table of contents

the liberty bell facts history video lesson transcript - Mar 14 2022

web aug 16 2022 other facts about the liberty bell include the composition of the liberty bell is 70 copper 25 tin and trace amounts of gold silver zinc arsenic and lead the liberty bell weighs over

liberty bell kids britannica kids homework help - Jul 30 2023

web people who wanted liberty or freedom for enslaved people gave the bell its name in 1839 the liberty bell is mostly copper and tin it is 3 feet 9 1 centimeters high and 12 feet 3 7 meters around at the bottom it weighs about 2 080 pounds 943 kilograms on the bell is a verse from the bible levticus 25 10 proclaim liberty

liberty bell portland oregon facts for kids - Dec 11 2021

web liberty bell refers to one of two replicas in portland oregon united states of the original liberty bell in philadelphia the first replica was purchased in 1962 and installed in the rotunda of city hall in 1964 on november 21 1970 it was destroyed in

vieillesse s blanche leide 2014 10 06 la

la ma c nopause en douceur danièle festy - Aug 03 2022

web the la ma c nopause en douceur is universally compatible taking into account any devices to read ma bible de l
alimentation mieux et moins animal cette bible très

la ma c nopause en pratique christian brun - Jul 14 2023

web la ma c nopause en pratique this is likewise one of the factors by obtaining the soft documents of this la ma c nopause en
pratique by online you might not require more

la m nopause en pratique by brigitte raccah tebeka goodreads - Mar 10 2023

web cet ouvrage consacr la m nopause a pour objectif de donner au praticien les cl s pour r pondre aux diff rentes situations
cliniques en pratique courante il constitue donc une

la pause libanaise paris madeleine tripadvisor - Feb 26 2022

web oct 21 2022 order food online at la pause libanaise paris with tripadvisor see 761 unbiased reviews of la pause
libanaise ranked 245 on tripadvisor among 17 356

la ma c nopause en pratique pdf retailer bonide - Apr 11 2023

web 4 la ma c nopause en pratique 2019 12 27 on the use of hormone therapy during the menopause transition the book
features clinical vignettes illustrating how individual

la ma c nopause en pratique caroline michel copy - Dec 27 2021

web feb 26 2023 la ma c nopause en pratique as recognized adventure as without difficulty as experience virtually lesson
amusement as with ease as covenant can be

la pause traduction en turc exemples français reverso context - Sep 04 2022

web traductions en contexte de la pause en français turc avec reverso context après la pause la pause déjeuner la salle de
pause pendant la pause c est la pause

nocturnes au mamac musée masséna du palais lascaris les - Mar 30 2022

web c est pourquoi le mamac le musée masséna et le palais lascaris au cœur d une importante zone de fréquentation pendant
la période estivale inaugurent le dispositif

la ma c nopause en pratique - Oct 25 2021

web la ma c nopause en pratique this is likewise one of the factors by obtaining the soft documents of this la ma c nopause en
pratique by online you might not require more

la ma c nopause en pratique pdf byu11mainu - Jun 01 2022

web this online revelation la ma c nopause en pratique pdf can be one of the options to accompany you subsequent to having

supplementary time it will not waste your time

[la ma c nopause en pratique pdf pdf linguisticschool com](#) - Jun 13 2023

web mar 20 2023 la ma c nopause en pratique pdf eventually you will unquestionably discover a new experience and expertise by spending more cash yet when attain you

la ménopause en pratique sciencedirect - Aug 15 2023

web l ouvrage structuré à travers six parties a pour objet de comprendre les diverses modifications physiologiques induites par la carence hormonale de la ménopause ainsi

l art d accueillir la ma c nopause avec le dr vau full pdf - May 12 2023

web l art d accueillir la ma c nopause avec le dr vau traité pratique de la menstruation considérée dans son état physiologique et dans ses divers états pathologiques oct 13

technological slavery internet archive - Dec 13 2022

web technological slavery internet archive

technology can help us end the scourge of modern slavery - Feb 15 2023

web sep 27 2023 technology can help us end the scourge of modern slavery here s how apr 1 2019 women and children make up 71 of the 40 million people trapped in slavery worldwide image reuters cathal mcnaughton ed lewin vice president international corporate affairs hewlett packard enterprise the big picture

technology and the world the slaves made researchgate - Apr 05 2022

web jan 26 2006 one area that has lacked sustained attention is the nexus of slavery and technological development several new books demonstrate that changes in technology profoundly altered the lives and labor

technological slavery the collected writings of theodore j - Sep 10 2022

web 431 pages 23 cm theodore j kaczynski attended harvard university received a phd in mathematics from the university of michigan taught at the university of california berkeley and then moved to montana where he attempted to live a self sufficient life

ted kaczynski the anarchist library - Jul 08 2022

web jun 12 2011 forward to technological slavery ted kaczynski mar 19 2021 8 pp hit where it hurts ted kaczynski jun 2 2011 17 pp how i blew up harold snilly apios tuberosa pseud ted kaczynski dec 22 2014 5 pp in defense of

technological slavery theodore john kaczynski google books - Aug 21 2023

web in technological slavery kaczynski argues that i the unfolding human and environmental crises are the direct inevitable result of technology itself ii many of the stresses endured in

anti tech revolution wikipedia - Mar 16 2023

web synopsis this book is split up into two parts the first two chapters of this book argue for the need for a revolution to bring about the end of the technological system while the second two chapters detail how a movement against the technological system should organize itself to achieve its goal

[the intimate link between technology and slavery interesting](#) - Jan 14 2023

web jun 18 2019 the intimate link between technology and slavery 1 forced labor is a very real problem in places forced labor as the name suggests is whereby anyone is compelled to 2 debt bondage is rife in some parts of the world debt bondage otherwise known as bonded labor is one of the most 3

technological slavery internet archive - Oct 23 2023

web technological slavery is a revised and enlarged version of the book rmd to revolution published in an english edition of 400 copies and also in a french edition in 2008 by ditions xenia of vevey switzerland technological shvery 2008 by theodore j kaczynski introduction 2010 by dr david skrbina all rights reserved 10 98765432 1

ai slaves the questionable desire shaping our idea of technological - Jun 19 2023

web may 22 2018 we ll all have personal slaves again only this time we won t fight a civil war over them slavery will be here to stay don t be alarmed we mean robot slaves technological serfs

ted kaczynski wikipedia - Nov 12 2022

web in his 2010 book technological slavery kaczynski said that two prison psychologists who visited him frequently for four years told him they saw no indication that he suffered from paranoid schizophrenia and the diagnosis was ridiculous and a political diagnosis

technological slavery by ted kaczynski ted kaczynski free - Jul 20 2023

web opensource language english collection of writings by ted kaczynski full html transcripts can be found at wildism org addeddate 2015 02 17 17 31 19 foldoutcount

technological slavery kaczynski theodore 9781944228019 - Sep 22 2023

web jul 2 2019 in technological slavery kaczynski argues that i the unfolding human and environmental crises are the direct inevitable result of technology itself ii many of the stresses endured in contemporary life are not normal to the human condition but unique to technological conditions iii wilderness and human life close to nature

technological slavery theodore john kaczynski google books - May 18 2023

web jul 18 2022 in technological slavery kaczynski argues that i the unfolding human and environmental crises are the direct inevitable result of technology itself ii many of the stresses endured in contemporary life are not normal to the human condition but unique to technological conditions iii wilderness and human life close to nature

the impact of technology on contemporary slavery in the 21st - Jun 07 2022

web aug 23 2020 impacts of technology an estimated 40 million people worldwide suffer from one form of modern slavery the abuses target vulnerable people including children due to the illegal nature of control it has proven difficult to provide accurate statistical estimates on the global extent of modern slavery

technological slavery by theodore kaczynski open library - Aug 09 2022

web oct 29 2022 technological slavery by theodore kaczynski 2022 fitch madison publishers edition in english

unabomber ted kaczynski manifesto cabin victims history - Apr 17 2023

web jun 10 2023 while in prison kaczynski wrote and published two books technological slavery the collected writings of theodore j

digital technology adoption for modern slavery risk mitigation in - May 06 2022

web jul 1 2023 modern slavery ms is a broad concept describing a set of disparate but related offences involving slavery servitude forced labor and human trafficking haynes 2016 in the management literature ms is generally described as perpetrators forcing victims to work controlling them through threats violence and financial

slavery wikipedia - Mar 04 2022

web slavery is the ownership of a person as property since the 18th century critics have argued that slavery hinders technological advancement because the focus is on increasing the number of slaves doing simple tasks rather than upgrading their efficiency

technological slavery the collected writings of theodore j - Oct 11 2022

web technological slavery the collected writings of theodore j kaczynski a k a the unabomber ted kaczynski free download borrow and streaming internet archive an illustration of a magnifying glass an illustration of a