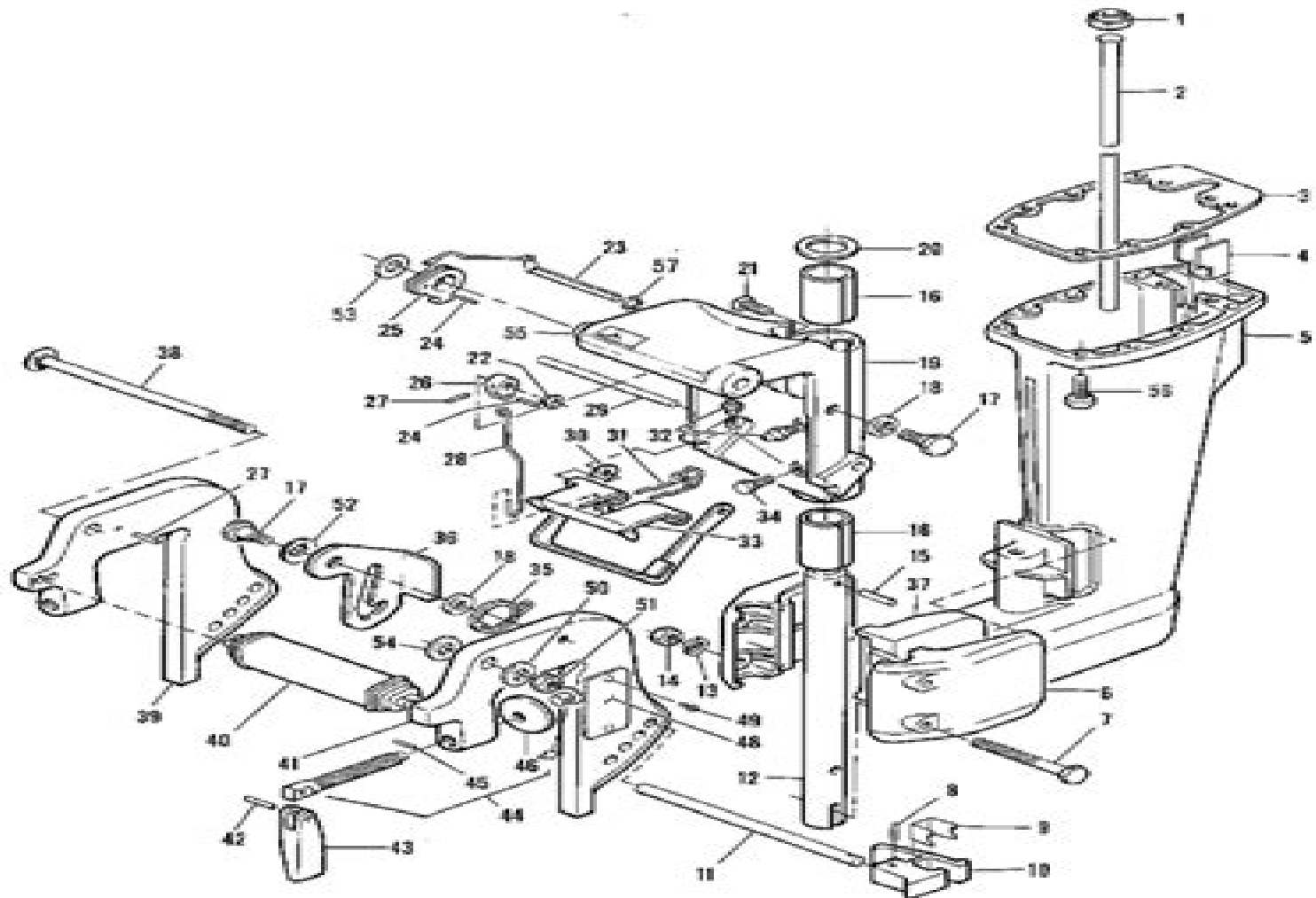


MONTGOMERY WARD 7.5 HP W/C OUTBOARD MOTOR
MODEL VMS-52179A**Motor Leg**

Mercury Outboard Repair Manual 9 8 Hp

K Morrison



Mercury Outboard Repair Manual 9 8 Hp:

This is likewise one of the factors by obtaining the soft documents of this **Mercury Outboard Repair Manual 9 8 Hp** by online. You might not require more time to spend to go to the ebook establishment as capably as search for them. In some cases, you likewise attain not discover the pronouncement Mercury Outboard Repair Manual 9 8 Hp that you are looking for. It will completely squander the time.

However below, when you visit this web page, it will be so totally easy to get as competently as download lead Mercury Outboard Repair Manual 9 8 Hp

It will not receive many mature as we notify before. You can complete it even though accomplishment something else at home and even in your workplace. thus easy! So, are you question? Just exercise just what we meet the expense of below as with ease as review **Mercury Outboard Repair Manual 9 8 Hp** what you similar to to read!

https://staging.conocer.cide.edu/data/detail/Download_PDFS/Gpb_Chemistry_Electron_Distribution_Answers.pdf

Table of Contents Mercury Outboard Repair Manual 9 8 Hp

1. Understanding the eBook Mercury Outboard Repair Manual 9 8 Hp
 - The Rise of Digital Reading Mercury Outboard Repair Manual 9 8 Hp
 - Advantages of eBooks Over Traditional Books
2. Identifying Mercury Outboard Repair Manual 9 8 Hp
 - Exploring Different Genres
 - Considering Fiction vs. Non-Fiction
 - Determining Your Reading Goals
3. Choosing the Right eBook Platform
 - Popular eBook Platforms
 - Features to Look for in an Mercury Outboard Repair Manual 9 8 Hp
 - User-Friendly Interface
4. Exploring eBook Recommendations from Mercury Outboard Repair Manual 9 8 Hp

- Personalized Recommendations
 - Mercury Outboard Repair Manual 9 8 Hp User Reviews and Ratings
 - Mercury Outboard Repair Manual 9 8 Hp and Bestseller Lists
5. Accessing Mercury Outboard Repair Manual 9 8 Hp Free and Paid eBooks
 - Mercury Outboard Repair Manual 9 8 Hp Public Domain eBooks
 - Mercury Outboard Repair Manual 9 8 Hp eBook Subscription Services
 - Mercury Outboard Repair Manual 9 8 Hp Budget-Friendly Options
 6. Navigating Mercury Outboard Repair Manual 9 8 Hp eBook Formats
 - ePub, PDF, MOBI, and More
 - Mercury Outboard Repair Manual 9 8 Hp Compatibility with Devices
 - Mercury Outboard Repair Manual 9 8 Hp Enhanced eBook Features
 7. Enhancing Your Reading Experience
 - Adjustable Fonts and Text Sizes of Mercury Outboard Repair Manual 9 8 Hp
 - Highlighting and Note-Taking Mercury Outboard Repair Manual 9 8 Hp
 - Interactive Elements Mercury Outboard Repair Manual 9 8 Hp
 8. Staying Engaged with Mercury Outboard Repair Manual 9 8 Hp
 - Joining Online Reading Communities
 - Participating in Virtual Book Clubs
 - Following Authors and Publishers Mercury Outboard Repair Manual 9 8 Hp
 9. Balancing eBooks and Physical Books Mercury Outboard Repair Manual 9 8 Hp
 - Benefits of a Digital Library
 - Creating a Diverse Reading Collection Mercury Outboard Repair Manual 9 8 Hp
 10. Overcoming Reading Challenges
 - Dealing with Digital Eye Strain
 - Minimizing Distractions
 - Managing Screen Time
 11. Cultivating a Reading Routine Mercury Outboard Repair Manual 9 8 Hp
 - Setting Reading Goals Mercury Outboard Repair Manual 9 8 Hp
 - Carving Out Dedicated Reading Time
 12. Sourcing Reliable Information of Mercury Outboard Repair Manual 9 8 Hp

- Fact-Checking eBook Content of Mercury Outboard Repair Manual 9 8 Hp
 - Distinguishing Credible Sources
13. Promoting Lifelong Learning
- Utilizing eBooks for Skill Development
 - Exploring Educational eBooks
14. Embracing eBook Trends
- Integration of Multimedia Elements
 - Interactive and Gamified eBooks

Mercury Outboard Repair Manual 9 8 Hp Introduction

In the digital age, access to information has become easier than ever before. The ability to download Mercury Outboard Repair Manual 9 8 Hp has revolutionized the way we consume written content. Whether you are a student looking for course material, an avid reader searching for your next favorite book, or a professional seeking research papers, the option to download Mercury Outboard Repair Manual 9 8 Hp has opened up a world of possibilities. Downloading Mercury Outboard Repair Manual 9 8 Hp provides numerous advantages over physical copies of books and documents. Firstly, it is incredibly convenient. Gone are the days of carrying around heavy textbooks or bulky folders filled with papers. With the click of a button, you can gain immediate access to valuable resources on any device. This convenience allows for efficient studying, researching, and reading on the go. Moreover, the cost-effective nature of downloading Mercury Outboard Repair Manual 9 8 Hp has democratized knowledge. Traditional books and academic journals can be expensive, making it difficult for individuals with limited financial resources to access information. By offering free PDF downloads, publishers and authors are enabling a wider audience to benefit from their work. This inclusivity promotes equal opportunities for learning and personal growth. There are numerous websites and platforms where individuals can download Mercury Outboard Repair Manual 9 8 Hp. These websites range from academic databases offering research papers and journals to online libraries with an expansive collection of books from various genres. Many authors and publishers also upload their work to specific websites, granting readers access to their content without any charge. These platforms not only provide access to existing literature but also serve as an excellent platform for undiscovered authors to share their work with the world. However, it is essential to be cautious while downloading Mercury Outboard Repair Manual 9 8 Hp. Some websites may offer pirated or illegally obtained copies of copyrighted material. Engaging in such activities not only violates copyright laws but also undermines the efforts of authors, publishers, and researchers. To ensure ethical downloading, it is advisable to utilize reputable websites that prioritize the legal distribution of content. When downloading Mercury Outboard Repair Manual 9 8

Hp, users should also consider the potential security risks associated with online platforms. Malicious actors may exploit vulnerabilities in unprotected websites to distribute malware or steal personal information. To protect themselves, individuals should ensure their devices have reliable antivirus software installed and validate the legitimacy of the websites they are downloading from. In conclusion, the ability to download Mercury Outboard Repair Manual 9 8 Hp has transformed the way we access information. With the convenience, cost-effectiveness, and accessibility it offers, free PDF downloads have become a popular choice for students, researchers, and book lovers worldwide. However, it is crucial to engage in ethical downloading practices and prioritize personal security when utilizing online platforms. By doing so, individuals can make the most of the vast array of free PDF resources available and embark on a journey of continuous learning and intellectual growth.

FAQs About Mercury Outboard Repair Manual 9 8 Hp Books

How do I know which eBook platform is the best for me? Finding the best eBook platform depends on your reading preferences and device compatibility. Research different platforms, read user reviews, and explore their features before making a choice. Are free eBooks of good quality? Yes, many reputable platforms offer high-quality free eBooks, including classics and public domain works. However, make sure to verify the source to ensure the eBook credibility. Can I read eBooks without an eReader? Absolutely! Most eBook platforms offer webbased readers or mobile apps that allow you to read eBooks on your computer, tablet, or smartphone. How do I avoid digital eye strain while reading eBooks? To prevent digital eye strain, take regular breaks, adjust the font size and background color, and ensure proper lighting while reading eBooks. What the advantage of interactive eBooks? Interactive eBooks incorporate multimedia elements, quizzes, and activities, enhancing the reader engagement and providing a more immersive learning experience. Mercury Outboard Repair Manual 9 8 Hp is one of the best book in our library for free trial. We provide copy of Mercury Outboard Repair Manual 9 8 Hp in digital format, so the resources that you find are reliable. There are also many Ebooks of related with Mercury Outboard Repair Manual 9 8 Hp. Where to download Mercury Outboard Repair Manual 9 8 Hp online for free? Are you looking for Mercury Outboard Repair Manual 9 8 Hp PDF? This is definitely going to save you time and cash in something you should think about. If you trying to find then search around for online. Without a doubt there are numerous these available and many of them have the freedom. However without doubt you receive whatever you purchase. An alternate way to get ideas is always to check another Mercury Outboard Repair Manual 9 8 Hp. This method for see exactly what may be included and adopt these ideas to your book. This site will almost certainly help you save time and effort, money and stress. If you are looking for free books then you really should consider finding to assist you try this. Several of Mercury Outboard Repair

Manual 9 8 Hp are for sale to free while some are payable. If you arent sure if the books you would like to download works with for usage along with your computer, it is possible to download free trials. The free guides make it easy for someone to free access online library for download books to your device. You can get free download on free trial for lots of books categories. Our library is the biggest of these that have literally hundreds of thousands of different products categories represented. You will also see that there are specific sites catered to different product types or categories, brands or niches related with Mercury Outboard Repair Manual 9 8 Hp. So depending on what exactly you are searching, you will be able to choose e books to suit your own need. Need to access completely for Campbell Biology Seventh Edition book? Access Ebook without any digging. And by having access to our ebook online or by storing it on your computer, you have convenient answers with Mercury Outboard Repair Manual 9 8 Hp To get started finding Mercury Outboard Repair Manual 9 8 Hp, you are right to find our website which has a comprehensive collection of books online. Our library is the biggest of these that have literally hundreds of thousands of different products represented. You will also see that there are specific sites catered to different categories or niches related with Mercury Outboard Repair Manual 9 8 Hp So depending on what exactly you are searching, you will be able to choose ebook to suit your own need. Thank you for reading Mercury Outboard Repair Manual 9 8 Hp. Maybe you have knowledge that, people have search numerous times for their favorite readings like this Mercury Outboard Repair Manual 9 8 Hp, but end up in harmful downloads. Rather than reading a good book with a cup of coffee in the afternoon, instead they juggled with some harmful bugs inside their laptop. Mercury Outboard Repair Manual 9 8 Hp is available in our book collection an online access to it is set as public so you can download it instantly. Our digital library spans in multiple locations, allowing you to get the most less latency time to download any of our books like this one. Merely said, Mercury Outboard Repair Manual 9 8 Hp is universally compatible with any devices to read.

Find Mercury Outboard Repair Manual 9 8 Hp :

~~gpb chemistry electron distribution answers~~

~~grade 10 mathematics paper 1~~

grade 10 june exam geography question paper

government packet answer key

gp30 forklift manual

government in america 1edition

grade 10 agricultural final exam

graco 35 snugride manual

gr11 mechanical exam papers caps

grade 10 exam papers visual art

grace sunday school lesson

governing metropolitan organisation co operation development

~~graad11 wiskunde geletterheid vraestel2 memo 2014~~

grade 10 geography june exam memo

grade 10 mapwork test 14 05 2015

Mercury Outboard Repair Manual 9 8 Hp :

End of Course US History Vocabulary Flashcards Study with Quizlet and memorize flashcards containing terms like free enterprise system, interstate commerce act, laisses-faire and more. End Of Course Us History Vocabulary Answer Key vocabulary, this complete course presents Latin grammar. Page 5. End Of Course Us History Vocabulary Answer Key end-of-course-us-history-vocabulary-answer-key. End of course us history vocabulary Flashcards Study with Quizlet and memorize flashcards containing terms like Industrialization, Free interprise system, Interstate commerce act and more. David Ortiz - EOC-US-History-Vocabulary-Review 1 .docx View David Ortiz - EOC-US-History-Vocabulary-Review (1).docx from HISTORY MISC at River Road H S. End of Course US History Vocabulary _ Name Industrialization_ End of course us history vocabulary all answers 100 Access over 20 million homework & study documents · End of course us history vocabulary all answers 100 · Ongoing Conversations. EOC-US-History-Vocabulary-Review 8 .docx - End of ... View EOC-US-History-Vocabulary-Review (8).docx from HISTORY MISC at South Texas Academy For Medical Professions. End of Course US History Vocabulary ... STAAR U.S. History Vocabulary.com's STAAR U.S. History lists cover many of the essential terms and concepts that you'll be expected to know on test day. Notes End of Course US History Vocabulary Study guides, Class notes & Summaries · End of Course US History Vocabulary ALL ANSWERS 100% CORRECT SPRING FALL 2023/24 EDITION GUARANTEED GRADE A+ · And that's ... End Of Course Us History Vocabulary Imperialism Aug 22, 2023 — In a world defined by information and interconnectivity, the enchanting power of words has acquired unparalleled significance. Conceptual Physics by Hewitt, Paul Highly recommended as an introduction to high school physics. Reviewed in the United States on March 20, 2019. Almost finished reading this book with my ... CONCEPTUAL PHYSICS (TEXTBOOK + MODIFIED ... Hewitt's text is guided by the principle of concepts before calculations and is famous for engaging learners with real-world analogies and imagery to build a ... Conceptual Physics: Paul Hewitt: 9780133498493 Highly recommended as an introduction to high school physics. Reviewed in the United States on March 20, 2019. Almost finished reading this book with my ... Modified Mastering Physics with Pearson eText Paul Hewitt's best-selling Conceptual Physics defined the liberal arts physics course over 30 years ago and continues as the benchmark. Hewitt's text is guided ... Conceptual Physics by Paul G. Hewitt - Audiobook Hewitt's book

is famous for engaging readers with analogies and imagery from real-world situations that build a strong conceptual understanding of physical ... Conceptual Physics Conceptual Physics engages students with analogies and imagery from real-world situations to build a strong conceptual understanding of physical principles ... Conceptual Physics | Rent | 9780321909107 COUPON: RENT Conceptual Physics 12th edition (9780321909107) and save up to 80% on textbook rentals and 90% on used textbooks. Get FREE 7-day instant How good is the conceptual physics textbook by Paul G. ... Jul 24, 2019 — The conceptual physics textbook by Paul G. Hewitt is considered to be a classic in the field of physics education. Many. Continue reading. Welcome to Conceptual Physics! Home · Conceptual Physics · Paul G. Hewitt · Philosophy · Hewitt Drew-It · Books & Videos · Photo Gallery · Yummy Links · Contact Info. The perfect introductory physics book : r/AskPhysics If you want to learn physics, the Hewitt textbooks are good. If you want to read about physics topics, this one does a pretty good job of ... A T200A AT200A. FEATURES. OPTIONS. NEW EQUIPMENT SALES | 800.958.2555 | SALES@ALTEC.COM ... REACH DIAGRAM. • Non-Insulating Aerial Device. • All Steel Telescopic Boom ... We have an Altec 200 boom truck and are in need of the Oct 15, 2017 — We have an Altec 200 boom truck and are in need of the wiring diagram. The serial number is 1 GDJC34KOME519806. AT200A Designed for telecommunications and lighting and sign maintenance applications, this non-insulating aerial device offers easy ground platform access for ... Altec AT200A Specification and Load Charts Crane Specification search result for manufacturer: Altec and model: AT200A. Altec AT200A Non-Insulated Aerial Device. • All Steel Boom Construction. • Hydraulically Extended Boom. • Non-continuous 3707 Rotation. • Engine Start/Stop at Upper and ... AT200A Cutaway Van - Telescopic Aerial Device Two-Stage Telescopic Non-Insulating Aerial Device; Hydraulically Extended Inner Boom; Open Center Hydraulic System Powered by an Engine Belt Driven Pump; Single ... 16+ Altec Bucket Truck Wiring Diagram Sep 3, 2021 — 77 Awesome 2002 Chevy Silverado Tail Light Wiring Diagram- varying or installing a fresh fixture can be as simple and secure as changing a bulb ... Looking manual at200a in including electrical systems Jan 6, 2016 — Looking for repair manual for altec at200a in including electrical systems - Answered by a verified Mechanic. Technical Information Altec Service Tool Installation Guide. SIL 698 Work Instructions. JEMS 4-6 Battery Replacement · JEMS 4-6 Sense String Replacement · JEMS 4 Wire Relocation ...