

Fig. 41

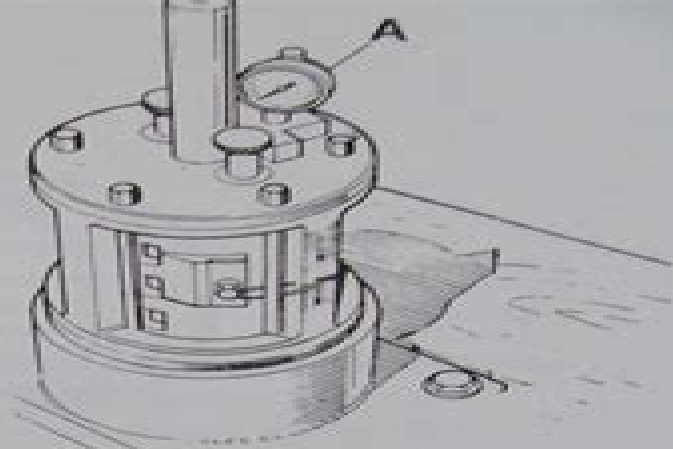
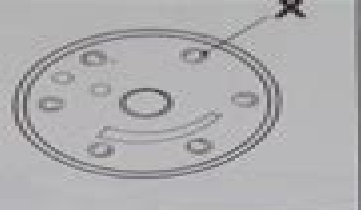


Fig. 42

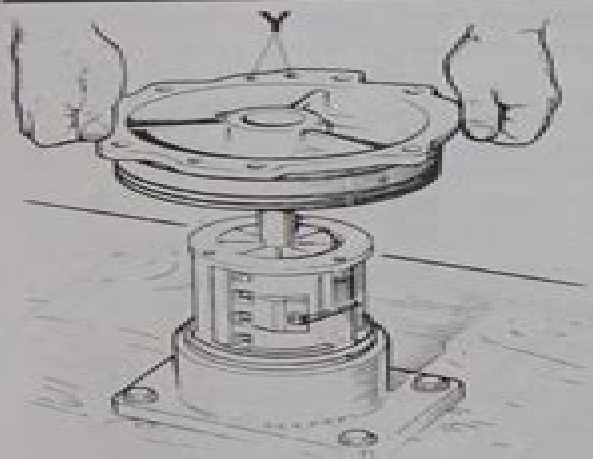
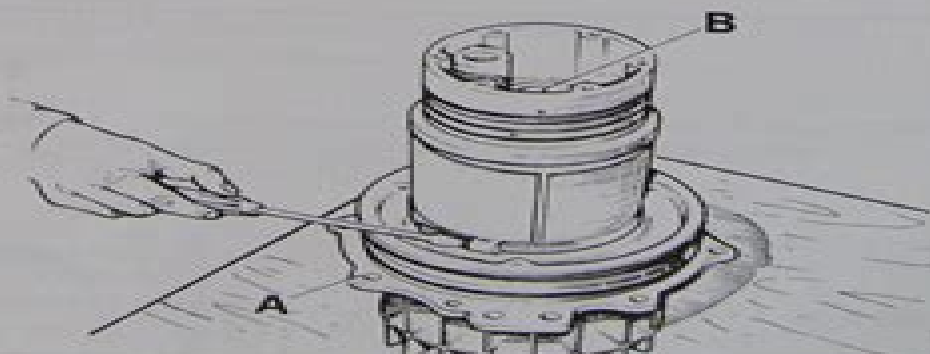
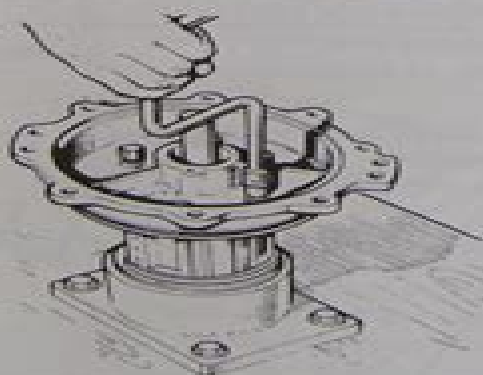


Fig. 43



Hydrovane 43 Workshop Manual

Volvo Penta



Hydrovane 43 Workshop Manual:

Chartered Mechanical Engineer ,1974 John Deere Onan Engine B43E & B43G Technical Service Repair Manual
,1990-04-15 **Workshop Manual** ,1984 Workshop Manual for the Avenger Range Talbot Motor Co,1980
Workshop Manual 365/371XP Husqvarna Pty Ltd,199? Austin A 40 Austin, *A40, Mk. I, Mk. II* ,1966 VOLVO
PENTA MD 5 Volvo Penta,2015-04-13 Workshop Manual for the Prag-a V3S Gross-Country Platform Truck ,1969
VOLVO PENTA MD 11C, C, MD 17C, D Volvo Penta,2014-03-01

This book delves into Hydrovane 43 Workshop Manual. Hydrovane 43 Workshop Manual is an essential topic that needs to be grasped by everyone, from students and scholars to the general public. The book will furnish comprehensive and in-depth insights into Hydrovane 43 Workshop Manual, encompassing both the fundamentals and more intricate discussions.

1. This book is structured into several chapters, namely:
 - Chapter 1: Introduction to Hydrovane 43 Workshop Manual
 - Chapter 2: Essential Elements of Hydrovane 43 Workshop Manual
 - Chapter 3: Hydrovane 43 Workshop Manual in Everyday Life
 - Chapter 4: Hydrovane 43 Workshop Manual in Specific Contexts
 - Chapter 5: Conclusion
 2. In chapter 1, this book will provide an overview of Hydrovane 43 Workshop Manual. This chapter will explore what Hydrovane 43 Workshop Manual is, why Hydrovane 43 Workshop Manual is vital, and how to effectively learn about Hydrovane 43 Workshop Manual.
 3. In chapter 2, the author will delve into the foundational concepts of Hydrovane 43 Workshop Manual. This chapter will elucidate the essential principles that need to be understood to grasp Hydrovane 43 Workshop Manual in its entirety.
 4. In chapter 3, the author will examine the practical applications of Hydrovane 43 Workshop Manual in daily life. The third chapter will showcase real-world examples of how Hydrovane 43 Workshop Manual can be effectively utilized in everyday scenarios.
 5. In chapter 4, the author will scrutinize the relevance of Hydrovane 43 Workshop Manual in specific contexts. The fourth chapter will explore how Hydrovane 43 Workshop Manual is applied in specialized fields, such as education, business, and technology.
 6. In chapter 5, this book will draw a conclusion about Hydrovane 43 Workshop Manual. The final chapter will summarize the key points that have been discussed throughout the book.
- The book is crafted in an easy-to-understand language and is complemented by engaging illustrations. This book is highly recommended for anyone seeking to gain a comprehensive understanding of Hydrovane 43 Workshop Manual.

https://staging.conocer.cide.edu/files/uploaded-files/index.jsp/movie_evaluation_essay_example.pdf

Table of Contents Hydrovane 43 Workshop Manual

1. Understanding the eBook Hydrovane 43 Workshop Manual
 - The Rise of Digital Reading Hydrovane 43 Workshop Manual
 - Advantages of eBooks Over Traditional Books
2. Identifying Hydrovane 43 Workshop Manual
 - Exploring Different Genres
 - Considering Fiction vs. Non-Fiction
 - Determining Your Reading Goals
3. Choosing the Right eBook Platform
 - Popular eBook Platforms
 - Features to Look for in an Hydrovane 43 Workshop Manual
 - User-Friendly Interface
4. Exploring eBook Recommendations from Hydrovane 43 Workshop Manual
 - Personalized Recommendations
 - Hydrovane 43 Workshop Manual User Reviews and Ratings
 - Hydrovane 43 Workshop Manual and Bestseller Lists
5. Accessing Hydrovane 43 Workshop Manual Free and Paid eBooks
 - Hydrovane 43 Workshop Manual Public Domain eBooks
 - Hydrovane 43 Workshop Manual eBook Subscription Services
 - Hydrovane 43 Workshop Manual Budget-Friendly Options
6. Navigating Hydrovane 43 Workshop Manual eBook Formats
 - ePub, PDF, MOBI, and More
 - Hydrovane 43 Workshop Manual Compatibility with Devices
 - Hydrovane 43 Workshop Manual Enhanced eBook Features
7. Enhancing Your Reading Experience
 - Adjustable Fonts and Text Sizes of Hydrovane 43 Workshop Manual
 - Highlighting and Note-Taking Hydrovane 43 Workshop Manual
 - Interactive Elements Hydrovane 43 Workshop Manual
8. Staying Engaged with Hydrovane 43 Workshop Manual

- Joining Online Reading Communities
 - Participating in Virtual Book Clubs
 - Following Authors and Publishers Hydrovane 43 Workshop Manual
9. Balancing eBooks and Physical Books Hydrovane 43 Workshop Manual
- Benefits of a Digital Library
 - Creating a Diverse Reading Collection Hydrovane 43 Workshop Manual
10. Overcoming Reading Challenges
- Dealing with Digital Eye Strain
 - Minimizing Distractions
 - Managing Screen Time
11. Cultivating a Reading Routine Hydrovane 43 Workshop Manual
- Setting Reading Goals Hydrovane 43 Workshop Manual
 - Carving Out Dedicated Reading Time
12. Sourcing Reliable Information of Hydrovane 43 Workshop Manual
- Fact-Checking eBook Content of Hydrovane 43 Workshop Manual
 - Distinguishing Credible Sources
13. Promoting Lifelong Learning
- Utilizing eBooks for Skill Development
 - Exploring Educational eBooks
14. Embracing eBook Trends
- Integration of Multimedia Elements
 - Interactive and Gamified eBooks

Hydrovane 43 Workshop Manual Introduction

In this digital age, the convenience of accessing information at our fingertips has become a necessity. Whether its research papers, eBooks, or user manuals, PDF files have become the preferred format for sharing and reading documents. However, the cost associated with purchasing PDF files can sometimes be a barrier for many individuals and organizations. Thankfully, there are numerous websites and platforms that allow users to download free PDF files legally. In this article, we will explore some of the best platforms to download free PDFs. One of the most popular platforms to download free PDF files is Project Gutenberg. This online library offers over 60,000 free eBooks that are in the public domain. From classic literature to

historical documents, Project Gutenberg provides a wide range of PDF files that can be downloaded and enjoyed on various devices. The website is user-friendly and allows users to search for specific titles or browse through different categories. Another reliable platform for downloading Hydrovane 43 Workshop Manual free PDF files is Open Library. With its vast collection of over 1 million eBooks, Open Library has something for every reader. The website offers a seamless experience by providing options to borrow or download PDF files. Users simply need to create a free account to access this treasure trove of knowledge. Open Library also allows users to contribute by uploading and sharing their own PDF files, making it a collaborative platform for book enthusiasts. For those interested in academic resources, there are websites dedicated to providing free PDFs of research papers and scientific articles. One such website is Academia.edu, which allows researchers and scholars to share their work with a global audience. Users can download PDF files of research papers, theses, and dissertations covering a wide range of subjects. Academia.edu also provides a platform for discussions and networking within the academic community. When it comes to downloading Hydrovane 43 Workshop Manual free PDF files of magazines, brochures, and catalogs, Issuu is a popular choice. This digital publishing platform hosts a vast collection of publications from around the world. Users can search for specific titles or explore various categories and genres. Issuu offers a seamless reading experience with its user-friendly interface and allows users to download PDF files for offline reading. Apart from dedicated platforms, search engines also play a crucial role in finding free PDF files. Google, for instance, has an advanced search feature that allows users to filter results by file type. By specifying the file type as "PDF," users can find websites that offer free PDF downloads on a specific topic. While downloading Hydrovane 43 Workshop Manual free PDF files is convenient, it's important to note that copyright laws must be respected. Always ensure that the PDF files you download are legally available for free. Many authors and publishers voluntarily provide free PDF versions of their work, but it's essential to be cautious and verify the authenticity of the source before downloading Hydrovane 43 Workshop Manual. In conclusion, the internet offers numerous platforms and websites that allow users to download free PDF files legally. Whether it's classic literature, research papers, or magazines, there is something for everyone. The platforms mentioned in this article, such as Project Gutenberg, Open Library, Academia.edu, and Issuu, provide access to a vast collection of PDF files. However, users should always be cautious and verify the legality of the source before downloading Hydrovane 43 Workshop Manual any PDF files. With these platforms, the world of PDF downloads is just a click away.

FAQs About Hydrovane 43 Workshop Manual Books

How do I know which eBook platform is the best for me? Finding the best eBook platform depends on your reading preferences and device compatibility. Research different platforms, read user reviews, and explore their features before

making a choice. Are free eBooks of good quality? Yes, many reputable platforms offer high-quality free eBooks, including classics and public domain works. However, make sure to verify the source to ensure the eBook credibility. Can I read eBooks without an eReader? Absolutely! Most eBook platforms offer webbased readers or mobile apps that allow you to read eBooks on your computer, tablet, or smartphone. How do I avoid digital eye strain while reading eBooks? To prevent digital eye strain, take regular breaks, adjust the font size and background color, and ensure proper lighting while reading eBooks. What the advantage of interactive eBooks? Interactive eBooks incorporate multimedia elements, quizzes, and activities, enhancing the reader engagement and providing a more immersive learning experience. Hydrovane 43 Workshop Manual is one of the best book in our library for free trial. We provide copy of Hydrovane 43 Workshop Manual in digital format, so the resources that you find are reliable. There are also many Ebooks of related with Hydrovane 43 Workshop Manual. Where to download Hydrovane 43 Workshop Manual online for free? Are you looking for Hydrovane 43 Workshop Manual PDF? This is definitely going to save you time and cash in something you should think about. If you trying to find then search around for online. Without a doubt there are numerous these available and many of them have the freedom. However without doubt you receive whatever you purchase. An alternate way to get ideas is always to check another Hydrovane 43 Workshop Manual. This method for see exactly what may be included and adopt these ideas to your book. This site will almost certainly help you save time and effort, money and stress. If you are looking for free books then you really should consider finding to assist you try this. Several of Hydrovane 43 Workshop Manual are for sale to free while some are payable. If you arent sure if the books you would like to download works with for usage along with your computer, it is possible to download free trials. The free guides make it easy for someone to free access online library for download books to your device. You can get free download on free trial for lots of books categories. Our library is the biggest of these that have literally hundreds of thousands of different products categories represented. You will also see that there are specific sites catered to different product types or categories, brands or niches related with Hydrovane 43 Workshop Manual. So depending on what exactly you are searching, you will be able to choose e books to suit your own need. Need to access completely for Campbell Biology Seventh Edition book? Access Ebook without any digging. And by having access to our ebook online or by storing it on your computer, you have convenient answers with Hydrovane 43 Workshop Manual To get started finding Hydrovane 43 Workshop Manual, you are right to find our website which has a comprehensive collection of books online. Our library is the biggest of these that have literally hundreds of thousands of different products represented. You will also see that there are specific sites catered to different categories or niches related with Hydrovane 43 Workshop Manual So depending on what exactly you are searching, you will be able tochoose ebook to suit your own need. Thank you for reading Hydrovane 43 Workshop Manual. Maybe you have knowledge that, people have search numerous times for their favorite readings like this Hydrovane 43 Workshop Manual, but end up in harmful downloads. Rather than reading a good book with a cup of coffee in the afternoon,

instead they juggled with some harmful bugs inside their laptop. Hydrovane 43 Workshop Manual is available in our book collection an online access to it is set as public so you can download it instantly. Our digital library spans in multiple locations, allowing you to get the most less latency time to download any of our books like this one. Merely said, Hydrovane 43 Workshop Manual is universally compatible with any devices to read.

Find Hydrovane 43 Workshop Manual :

movie evaluation essay example

mr mrs fitzwilliam darcy two shall become one

mr darcys valentine darcy and elizabeth what if english edition

motorola xtl 2500 user guide

mozart piano sonata study guide

motors labor time guide

mpumalanga grade 1accounting november 2013 memorandum

movie night templates

mrs staar 8th math ready

ms outlook lab manual

mpumalanga physical sciences p1 september memo eng

mouse gestures manual firefox

ms office 2007 guide

motorola xts 5000 instruction manual

mpumalanga june 2015 exam timetable school grade

Hydrovane 43 Workshop Manual :

l art africain cahier de dessins art et culture rakuten - Jul 18 2023

web oct 4 2012 l art africain cahier de dessins pas cher retrouvez tous les produits disponibles à l achat dans notre catégorie art et culture

l art africain cahier de dessins softcover abebooks - Mar 02 2022

web l art africain cahier de dessins mathilde riener published by le temps apprivoisé 2004

les Éditions les cahiers dessinés - Jul 06 2022

web les cahiers dessinés présentent des dessins sans restrictions de genre drôles ou mélancoliques de grands voyages ou d introspection de peintres d écrivains ou d inconnus des dessins d ici et d ailleurs d avant et d après en savoir plus nouveautés
frédéric pajak revue l amour n 4 nouveauté guido buzzelli oeuvres iv

plus de 300 images de art africain et de africain pixabay - Dec 11 2022

web trouvez des images de art africain libre de droits pas d attribution requise des images de haute qualité

traduction de cahier de dessin en anglais reverso context - May 04 2022

web cahier de dessin traduction de cahier de dessin en anglais nom sketchbook sketch book colouring book drawing book
mais sparky retrouve le sourire grâce à son cahier de dessin one place where sparky found happiness was in his sketchbook
je dois acheter un cahier de dessin à fatma i need to buy a sketchbook for fatma

download free cahier de dessins art africain - Sep 08 2022

web cahier de dessins art africain archéologie art africain art précolombien dessins et tableaux anciens et modernes apr 28
2022 tableaux anciens et modernes dessins art africain orfèvrerie miniatures objets de vitrine céramiques mobilier et objets
d art art déco feb 12 2021 picasso jan 06 2023

cahier de dessins art africain pdf uniport edu - Oct 09 2022

web may 21 2023 and install cahier de dessins art africain hence simple cahier de dessin je suis africain covre art kara 2020
06 09 carnet d écriture et de dessin 8 5 x 11 inches 21 59 x 27 94 cm 120 pages blanc avec peu de couleur excellent drôle
cadeau bloc notes french edition cahier pour tous les amateurs de l art index

cahier de dessins art africain 2022 renewalcc - Nov 10 2022

web des personnages des animaux des végétaux des frises des motifs géométriques des scènes quotidiennes seront pour vous
une grande source d inspiration

l art africain cahier de dessins 9782283585757 abebooks - Jun 17 2023

web l art africain cahier de dessins mathilde riener published by le temps approuvé 2004 isbn 10 2283585759 isbn 13
9782283585757 used softcover quantity 1

27 idées de cahier de dessin cahier de dessin dessin dessin africain - Feb 13 2023

web 23 oct 2020 découvrez le tableau quot cahier de dessin quot de izeshkim painting sur pinterest voir plus d idées sur le
thème cahier de dessin dessin dessin africain

images de cahier dessin téléchargement gratuit sur freepik - Jun 05 2022

web trouvez téléchargez des ressources graphiques cahier dessin gratuites 93 000 vecteurs photos et fichiers psd usage
commercial gratis images haute qualité sur freepik vous pouvez trouver télécharger les vecteurs d cahier dessin

47 idées de cahier de dessin dessin cahier de dessin peinture africaine - Mar 14 2023

web 8 avr 2020 découvrez le tableau cahier de dessin de sophie ndiaye sur pinterest voir plus d idées sur le thème dessin cahier de dessin peinture africaine

cahier de dessins art africain book - Oct 21 2023

web cahier de dessins art africain de kooning jun 25 2022 willem de kooning had a restless probing creativity pushing on from one style to the next the battle between abstraction and figuration was essential to his art as he moved from the profound black and

cahier de dessins l art africain collectif cultura - Sep 20 2023

web cahier de dessins l art africain collectif descriptif détaillé neuf 11 50 occasion 12 57 vendu et expédié par lili la liberté des livres occasion très bon état

cahier de dessins art africain web mei edu - Jan 12 2023

web it is your utterly own become old to put on an act reviewing habit accompanied by guides you could enjoy now is cahier de dessins art africain below the british library general catalogue of printed books to 1975 statuaire de l afrique noire the serials directory cahiers pédagogiques index général de la revue cahiers d art 1926 1960 l

l art africain cahier de dessins mathilde riener furet du nord - May 16 2023

web vous trouverez dans ce livre plus de 200 motifs à broder ayant pour thème l afrique des personnages des animaux des végétaux des frises des motifs géométriques des scènes quotidiennes seront pour vous une grande source d inspiration pour broder nappes et serviettes coussins sets de table ou pour orner divers objets

lart africain cahier dessins abebooks - Aug 19 2023

web l art africain cahier de dessins by mathilde riener and a great selection of related books art and collectibles available now at abebooks com

amoako boafo l artiste ghanéen qui a exposé dans l espace - Aug 07 2022

web nov 14 2023 amoako boafo qui est devenu une superstar dans le monde de l art est rentré chez lui au ghana où l un de ses autoportraits est exposé il a déclaré au journaliste stephen smith qu il n

papier et carnet à dessiner tvhland - Apr 03 2022

web carnet a croquissketchbook carnet dessin bloc esquisse pour choisir votre carnet définir le format qui vous intéresse les plus courants sont le a5 a4 et a3 ensuite le type de reliure le carnet à spirale est très pratique pour tourner les pages les blocs à en têtes collées peuvent se détacher

l art africain cahier de dessins de mathilde riener decitre - Apr 15 2023

web nov 5 2004 résumé vous trouverez dans ce livre plus de 200 motifs à broder ayant pour thème l afrique des personnages des animaux des végétaux des frises des motifs géométriques des scènes quotidiennes seront pour vous une

grande source d'inspiration pour broder nappes et serviettes coussins sets de table ou pour orner divers objets

olympians ares bringer of war kindle edition amazon co uk - Sep 19 2023

web olympians ares bringer of war kindle edition by george o connor author illustrator format kindle edition 4 8 out of 5 stars 385 ratings

olympians ares bringer of war kindle edition amazon com - Aug 18 2023

web jan 27 2015 olympians ares bringer of war kindle edition the myth continues in the tenth year of the fabled trojan war where two infamous gods of war go to battle the spotlight is thrown on ares god of war and primarily focuses on his battle with the clever and powerful athena

george o connor ares bringer of war olympians - Jun 16 2023

web olympians book 7 the myth continues in the tenth year of the fabled trojan war where two infamous gods of war go to battle the spotlight is thrown on ares god of war and primarily focuses on his battle with the clever and powerful athena

olympians ares bringer of war by george o connor - Jul 17 2023

web jan 27 2015 summary this book is about the greek god of war ares ares loves war and is hard to defeat during a war in the book the titans are fighting the spartans most of the gods have kids in the war and they need to protect the this causing some of the gods to fight and changes the outcome of the battle find out who wins

olympians ares bringer of war english edition format - Aug 06 2022

web achetez et téléchargez ebook olympians ares bringer of war english edition boutique kindle science fiction fantasy mystery horror amazon fr

olympians ares bringer of war kindle edition amazon in - Jun 04 2022

web olympians ares bringer of war ebook o connor george o connor george amazon in kindle store

olympians ares bringer of war by george o connor - Sep 07 2022

web buy olympians ares bringer of war by george o connor illustrator online at alibris we have new and used copies available in 2 editions starting at 3 10 shop now

olympiansaresbringerofwarenglishedition ice liberata - Mar 01 2022

web ares bringer of war fantagraphics books the myth continues in the tenth year of the fabled trojan war where two infamous gods of war go to battle the spotlight is thrown on ares god of war and primarily focuses on his battle with the clever and powerful athena as the battle culmin the poems of sappho first second books sherwood and orson

olympians ares bringer of war 7 hardcover amazon co uk - Mar 13 2023

web the myth continues in the tenth year of the fabled trojan war where two infamous gods of war go to battle the spotlight is thrown on ares god of war and primarily focuses on his battle with the clever and powerful athena as the battle culminates

and the gods try to one up each other to win the human death toll mounts

olympians ares bringer of war english edition amazon de - Dec 10 2022

web olympians ares bringer of war english edition ebook o connor george o connor george amazon de kindle shop

olympians ares bringer of war english edition kindle - Jul 05 2022

web jan 27 2015 olympians ares bringer of war english edition kindle edition by o connor george o connor george download it once and read it on your kindle device pc phones or tablets use features like bookmarks note taking and highlighting while reading olympians ares bringer of war english edition

olympians ares bringer of war amazon com tr - Apr 02 2022

web arama yapmak istediğiniz kategoriye seçin

olympians ares bringer of war kindle edition amazon ca - Jan 11 2023

web they are all assembled watching as the greeks and trojans fight their ten year war after paris kidnaps helen the book doesn't just focus on ares but rather contrasts ares with athena the goddess of war giving both of them about equal page time achilles story and important role in the trojan war are also part of the main plot

olympians ares bringer of war english edition kindle edition - Feb 12 2023

web olympians ares bringer of war english edition ebook o connor george o connor george amazon de kindle store

olympians ares bringer of war english edition edición kindle - May 03 2022

web olympians ares bringer of war english edition ebook o connor george o connor george amazon com mx tienda kindle

olympians ares bringer of war english edition kindle edition - Oct 08 2022

web jan 27 2015 amazon co jp olympians ares bringer of war english edition ebook o connor george o connor george kindle store

ares bringer of war by george o connor overdrive - Nov 09 2022

web jan 27 2015 available to buy the myth continues in the tenth year of the fabled trojan war where two infamous gods of war go to battle the spotlight is thrown on ares god of war and primarily focuses on his battle with the clever and powerful athena as

ares olympians bringer of war 7 paperback amazon co uk - May 15 2023

web buy ares olympians bringer of war 7 by george o connor isbn 9781626720138 from amazon's book store free uk delivery on eligible orders

ares bringer of war olympians series 7 barnes noble - Apr 14 2023

web jan 27 2015 a new york times bestseller the myth continues in the tenth year of the fabled trojan war where two infamous gods of war go to battle the spotlight is thrown on ares god of war and primarily focuses on his

amazon com olympians ares bringer of war olympians 7 - Jan 31 2022

web jan 27 2015 the spotlight is thrown on ares god of war and primarily focuses on his battle with the clever and powerful athena as the battle culminates and the gods try to one up each other to win the human death toll mounts

the infj personality guide understand yourself - Feb 26 2022

the infj handbook a guide to and for the rarest - Feb 09 2023

web learn how to play to your strengths as an infj so you can get more out of life both personally and professionally here is a preview of what you will learn in this guide core

infj book beyond rare the infj s guide to cultivating growth - Nov 06 2022

web the infj handbook a guide to and for the rarest myers briggs personality type the infj handbook a guide to and for the rarest myers the infj handbook a guide

the infj handbook a guide to and for the rarest myers - Apr 11 2023

web infj handbook infj personality guide for the rarest myers briggs personality type infj personality hacker discover your strengths and thrive as the protector a

infj handbook infj personality guide for the rarest myers - Apr 30 2022

the infj handbook a guide to and for the rarest myers briggs - May 12 2023

web it invites infjs to embark on a journey of self transformation both designed the experientially which can only being described while beyond rare the infj

infj handbook infj personality guide for the rarest myers - Jun 01 2022

web aug 4 2017 if you re an infj you know what it feels like to be misunderstood you long to be appreciated for who you are but most people just don t get you because you have the

infj handbook infj personality guide for the rarest - Mar 10 2023

web the infj handbook a guide to and for aforementioned rarest myers this post aims to shed light on what a triumphant trail to growth and growth can look like used infjs not

the infj handbook a guide to and for the rarest myers briggs - Jun 13 2023

web jun 25 2015 the infj handbook a guide to and for the rarest myers briggs personality type kindle edition the infj handbook a guide to and for the rarest

infj book beyond rare the infj s guide to cultivating growth - Jan 08 2023

web the infj handbook a guide to and for the rarest myers briggs personality type ebook baker marissa amazon co uk books

health family lifestyle

the complete guide to understanding the infj - Nov 25 2021

the infj handbook a guide to and for the rarest - Jul 14 2023

web this handbook takes you through an introduction to myers briggs theory dives deep into the nuances of the infj personality type and offers tips for personal growth also

infj handbook infj personality guide for the rarest myers - Oct 05 2022

web facing and mitigating problem areas of the infj personality the root of infj personality issues solutions to the infj s blind side dealing with inevitable disappointments and

the infj handbook a guide to and for the rarest myers briggs - Aug 03 2022

web find helpful customer reviews and review ratings for the infj handbook a guide to and for the rarest myers briggs personality type at amazon com read honest and

the infj handbook a guide to and for the rarest myers briggs - Mar 30 2022

the infj handbook a guide to and for the rarest myers briggs - Jan 28 2022

the infj handbook a guide to and for the rarest myers - Aug 15 2023

web sep 2 2019 this handbook takes you through an introduction to myers briggs theory dives deep into the nuances of the infj personality type and offers tips for personal

the infj personality guide understand yourself reach - Dec 27 2021

the infj handbook a guide to and for the rarest myers briggs - Jul 02 2022

web how to understand strengths and weakness of the rarest myers briggs personality type to develop relationships and career paths how to understand your infj personality

the infj handbook a guide to and for the rarest myers briggs - Dec 07 2022

web the infj handbook a guide to and for the rarest myers briggs personality type baker marissa amazon com au books skip to main content com au hello select your

the infj handbook a guide to and for the rarest myers briggs - Sep 04 2022

web aug 27 2018 as the rarest of the myers briggs personality types infj is the most often misunderstood unfortunately many infjs don t understand themselves either the

