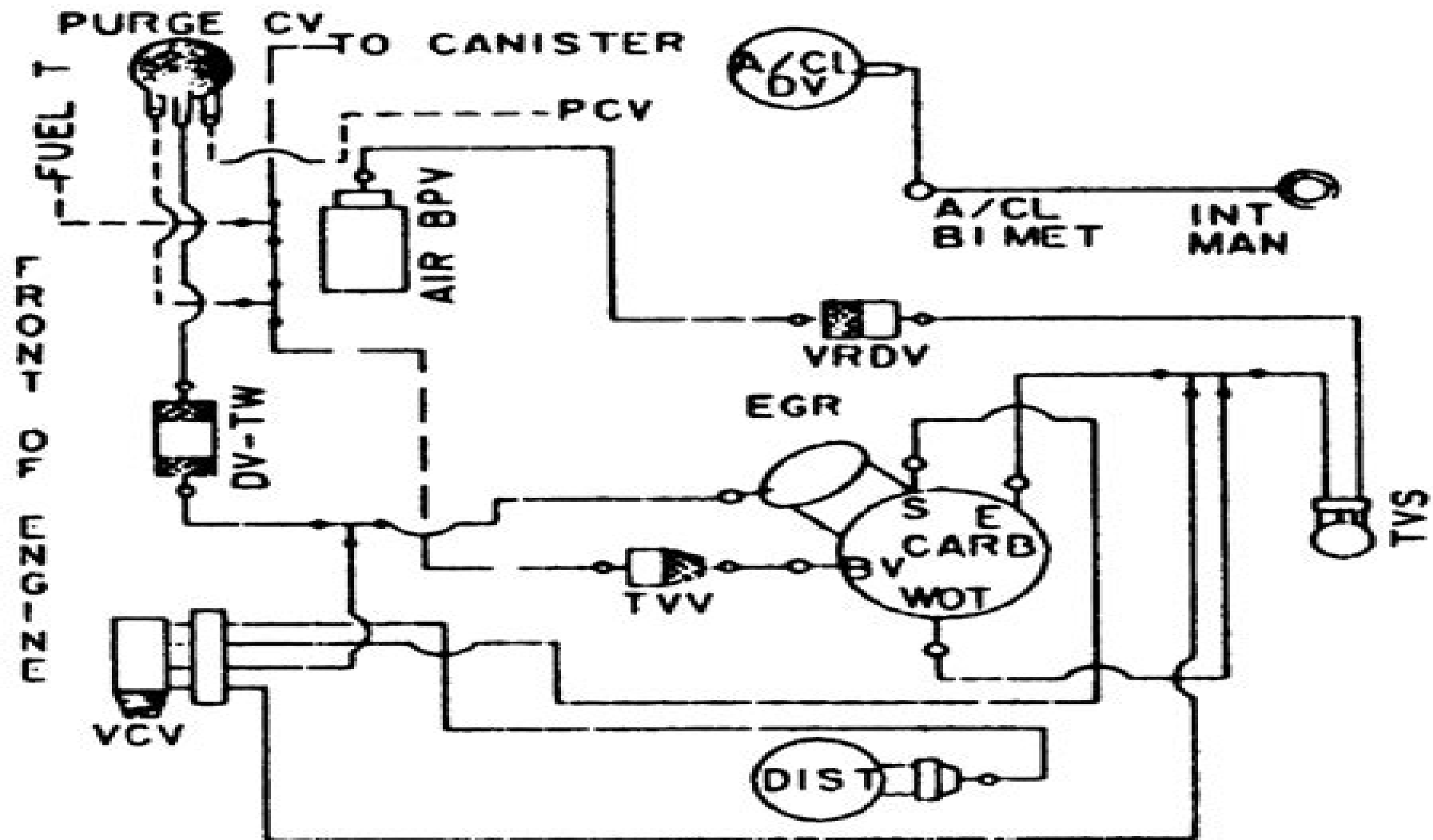


CALIF. ONLY A/C & NON A/C



CALIBRATION:

0-52S-RO

DATE:

5-24-79

Ford Industrial Engines Wiring Diagrams

Jicheng Xie



Ford Industrial Engines Wiring Diagrams:

Decoding **Ford Industrial Engines Wiring Diagrams**: Revealing the Captivating Potential of Verbal Expression

In an era characterized by interconnectedness and an insatiable thirst for knowledge, the captivating potential of verbal expression has emerged as a formidable force. Its ability to evoke sentiments, stimulate introspection, and incite profound transformations is genuinely awe-inspiring. Within the pages of "**Ford Industrial Engines Wiring Diagrams**," a mesmerizing literary creation penned by way of a celebrated wordsmith, readers set about an enlightening odyssey, unraveling the intricate significance of language and its enduring effect on our lives. In this appraisal, we shall explore the book's central themes, evaluate its distinctive writing style, and gauge its pervasive influence on the hearts and minds of its readership.

https://staging.conocer.cide.edu/files/publication/default.aspx/Manual_Nad_C356bee_Home_Cinema_Amplifier.pdf

Table of Contents Ford Industrial Engines Wiring Diagrams

1. Understanding the eBook Ford Industrial Engines Wiring Diagrams
 - The Rise of Digital Reading Ford Industrial Engines Wiring Diagrams
 - Advantages of eBooks Over Traditional Books
2. Identifying Ford Industrial Engines Wiring Diagrams
 - Exploring Different Genres
 - Considering Fiction vs. Non-Fiction
 - Determining Your Reading Goals
3. Choosing the Right eBook Platform
 - Popular eBook Platforms
 - Features to Look for in an Ford Industrial Engines Wiring Diagrams
 - User-Friendly Interface
4. Exploring eBook Recommendations from Ford Industrial Engines Wiring Diagrams
 - Personalized Recommendations
 - Ford Industrial Engines Wiring Diagrams User Reviews and Ratings

- Ford Industrial Engines Wiring Diagrams and Bestseller Lists
- 5. Accessing Ford Industrial Engines Wiring Diagrams Free and Paid eBooks
 - Ford Industrial Engines Wiring Diagrams Public Domain eBooks
 - Ford Industrial Engines Wiring Diagrams eBook Subscription Services
 - Ford Industrial Engines Wiring Diagrams Budget-Friendly Options
- 6. Navigating Ford Industrial Engines Wiring Diagrams eBook Formats
 - ePub, PDF, MOBI, and More
 - Ford Industrial Engines Wiring Diagrams Compatibility with Devices
 - Ford Industrial Engines Wiring Diagrams Enhanced eBook Features
- 7. Enhancing Your Reading Experience
 - Adjustable Fonts and Text Sizes of Ford Industrial Engines Wiring Diagrams
 - Highlighting and Note-Taking Ford Industrial Engines Wiring Diagrams
 - Interactive Elements Ford Industrial Engines Wiring Diagrams
- 8. Staying Engaged with Ford Industrial Engines Wiring Diagrams
 - Joining Online Reading Communities
 - Participating in Virtual Book Clubs
 - Following Authors and Publishers Ford Industrial Engines Wiring Diagrams
- 9. Balancing eBooks and Physical Books Ford Industrial Engines Wiring Diagrams
 - Benefits of a Digital Library
 - Creating a Diverse Reading Collection Ford Industrial Engines Wiring Diagrams
- 10. Overcoming Reading Challenges
 - Dealing with Digital Eye Strain
 - Minimizing Distractions
 - Managing Screen Time
- 11. Cultivating a Reading Routine Ford Industrial Engines Wiring Diagrams
 - Setting Reading Goals Ford Industrial Engines Wiring Diagrams
 - Carving Out Dedicated Reading Time
- 12. Sourcing Reliable Information of Ford Industrial Engines Wiring Diagrams
 - Fact-Checking eBook Content of Ford Industrial Engines Wiring Diagrams
 - Distinguishing Credible Sources

13. Promoting Lifelong Learning
 - Utilizing eBooks for Skill Development
 - Exploring Educational eBooks
14. Embracing eBook Trends
 - Integration of Multimedia Elements
 - Interactive and Gamified eBooks

Ford Industrial Engines Wiring Diagrams Introduction

In the digital age, access to information has become easier than ever before. The ability to download Ford Industrial Engines Wiring Diagrams has revolutionized the way we consume written content. Whether you are a student looking for course material, an avid reader searching for your next favorite book, or a professional seeking research papers, the option to download Ford Industrial Engines Wiring Diagrams has opened up a world of possibilities. Downloading Ford Industrial Engines Wiring Diagrams provides numerous advantages over physical copies of books and documents. Firstly, it is incredibly convenient. Gone are the days of carrying around heavy textbooks or bulky folders filled with papers. With the click of a button, you can gain immediate access to valuable resources on any device. This convenience allows for efficient studying, researching, and reading on the go. Moreover, the cost-effective nature of downloading Ford Industrial Engines Wiring Diagrams has democratized knowledge. Traditional books and academic journals can be expensive, making it difficult for individuals with limited financial resources to access information. By offering free PDF downloads, publishers and authors are enabling a wider audience to benefit from their work. This inclusivity promotes equal opportunities for learning and personal growth. There are numerous websites and platforms where individuals can download Ford Industrial Engines Wiring Diagrams. These websites range from academic databases offering research papers and journals to online libraries with an expansive collection of books from various genres. Many authors and publishers also upload their work to specific websites, granting readers access to their content without any charge. These platforms not only provide access to existing literature but also serve as an excellent platform for undiscovered authors to share their work with the world. However, it is essential to be cautious while downloading Ford Industrial Engines Wiring Diagrams. Some websites may offer pirated or illegally obtained copies of copyrighted material. Engaging in such activities not only violates copyright laws but also undermines the efforts of authors, publishers, and researchers. To ensure ethical downloading, it is advisable to utilize reputable websites that prioritize the legal distribution of content. When downloading Ford Industrial Engines Wiring Diagrams, users should also consider the potential security risks associated with online platforms. Malicious actors may exploit vulnerabilities in unprotected websites to distribute malware or steal personal information. To protect themselves,

individuals should ensure their devices have reliable antivirus software installed and validate the legitimacy of the websites they are downloading from. In conclusion, the ability to download Ford Industrial Engines Wiring Diagrams has transformed the way we access information. With the convenience, cost-effectiveness, and accessibility it offers, free PDF downloads have become a popular choice for students, researchers, and book lovers worldwide. However, it is crucial to engage in ethical downloading practices and prioritize personal security when utilizing online platforms. By doing so, individuals can make the most of the vast array of free PDF resources available and embark on a journey of continuous learning and intellectual growth.

FAQs About Ford Industrial Engines Wiring Diagrams Books

1. Where can I buy Ford Industrial Engines Wiring Diagrams books? Bookstores: Physical bookstores like Barnes & Noble, Waterstones, and independent local stores. Online Retailers: Amazon, Book Depository, and various online bookstores offer a wide range of books in physical and digital formats.
2. What are the different book formats available? Hardcover: Sturdy and durable, usually more expensive. Paperback: Cheaper, lighter, and more portable than hardcovers. E-books: Digital books available for e-readers like Kindle or software like Apple Books, Kindle, and Google Play Books.
3. How do I choose a Ford Industrial Engines Wiring Diagrams book to read? Genres: Consider the genre you enjoy (fiction, non-fiction, mystery, sci-fi, etc.). Recommendations: Ask friends, join book clubs, or explore online reviews and recommendations. Author: If you like a particular author, you might enjoy more of their work.
4. How do I take care of Ford Industrial Engines Wiring Diagrams books? Storage: Keep them away from direct sunlight and in a dry environment. Handling: Avoid folding pages, use bookmarks, and handle them with clean hands. Cleaning: Gently dust the covers and pages occasionally.
5. Can I borrow books without buying them? Public Libraries: Local libraries offer a wide range of books for borrowing. Book Swaps: Community book exchanges or online platforms where people exchange books.
6. How can I track my reading progress or manage my book collection? Book Tracking Apps: Goodreads, LibraryThing, and Book Catalogue are popular apps for tracking your reading progress and managing book collections. Spreadsheets: You can create your own spreadsheet to track books read, ratings, and other details.
7. What are Ford Industrial Engines Wiring Diagrams audiobooks, and where can I find them? Audiobooks: Audio recordings of books, perfect for listening while commuting or multitasking. Platforms: Audible, LibriVox, and Google

Play Books offer a wide selection of audiobooks.

8. How do I support authors or the book industry? Buy Books: Purchase books from authors or independent bookstores. Reviews: Leave reviews on platforms like Goodreads or Amazon. Promotion: Share your favorite books on social media or recommend them to friends.
9. Are there book clubs or reading communities I can join? Local Clubs: Check for local book clubs in libraries or community centers. Online Communities: Platforms like Goodreads have virtual book clubs and discussion groups.
10. Can I read Ford Industrial Engines Wiring Diagrams books for free? Public Domain Books: Many classic books are available for free as they're in the public domain. Free E-books: Some websites offer free e-books legally, like Project Gutenberg or Open Library.

Find Ford Industrial Engines Wiring Diagrams :

manual nad c356bee home cinema amplifier

manual leica d lux 3

manual lathe projects drawings

manual na peugeot 406

manual kdc x493

manual mitsubishi lancer 1300 cc

manual kawasaki zsr 600

manual maxima transmission

manual lycoming o 540

~~manual labour meaning~~

manual network selection on nokia c2-01

~~manual iphone 4s 32gb~~

manual mz300 engine

manual memory management in c

manual na peugeot 207

Ford Industrial Engines Wiring Diagrams :

kindergarten story writing tpt - Apr 19 2022

web history traditions kindergarten story writing paper template sample cover letter for introducing company free sample resume teaching assistant technical aspects

13 01 01 picture tellers how to write a story the kindergarten - Jun 21 2022

web kindergarten writing worksheets learning to write the alphabet dive into our comprehensive collection of engaging and interactive writing worksheets for

printable writing paper dltk s crafts for kids - May 21 2022

web have fun and print as much as you like school themed lined writing paper school themed lined writing paper can make them love telling you all their ideas and dreams

free kindergarten story paper teaching resources tpt - May 01 2023

web this super handy story writing template comes in a wide lined version to suit your second level learners show more related searches writing lines writing paper lined

kindergarten writing sample 1 reading rockets - Jan 29 2023

web mar 25 2020 writing worksheets for kindergarten and writing prompt pdfs are here we are pleased to offer you these free writing resources grab your printables today

story writing template printable wide lined paper for kids - Feb 27 2023

web storytime standouts free printable writing paper for homeschool preschool kindergarten and primary grades our interlined paper is great for penmanship practice including for

writing worksheets for kindergarten free printables - Feb 15 2022

writing templates for kindergarten teaching resources tpt - Jun 02 2023

web print this lined writing paper for your kindergarteners and use it for handwriting practice with them use it for spelling practice story writing rewriting or letter writing what you will

writing worksheets for kindergarten journalbuddies com - Sep 24 2022

web free printable writing paper custom writing paper choose from a variety of themes and line types to create custom writing paper other themes available not customizable

results for kindergarten story paper tpt - Dec 28 2022

web in this product you will get 14 different writing templates in 4 different color options for over 50 pages these kindergarten writing worksheets are using the primary 3 lined rules

kindergarten writing paper free printable paper - Oct 06 2023

web this type of writing paper for kindergarten preschool and early elementary 1st grade and 2nd grade school kids is a

great to practice writing the kindergarten writing paper

search printable kindergarten narrative writing worksheets - Aug 04 2023

web what is this printable lined paper template useful for challenge your second level learners writing skills with this super handy template that s easy to download and print

free kindergarten writing paper template show and - Mar 31 2023

web created by scott s stuff this is a set of 20 sheets i use during kindergarten writing to encourage students to sound out short vowel words independently and write them in

printable lined paper template story writing for children twinkl - Jul 03 2023

web here s an easy no prep way to introduce story writing to your students this set of seasonal story writing templates is perfect for differentiating writing tasks in

early writing worksheets for preschool and - Nov 26 2022

web 7 00 4 9 1 8k zip add to cart valentine s day heart writing paper templates kindergarten first grade created by casey stewart from kindergarten korner this

kindergarten writing paper superstar worksheets - Sep 05 2023

web browse printable kindergarten narrative writing worksheets award winning educational materials designed to help kids succeed start for free now

kindergarten writing template tpt - Aug 24 2022

web created by whimsy workshop teaching here s an easy no prep way to introduce story writing to your students this set of seasonal story writing templates is perfect for

[lined paper for kids printable writing templates](#) - Jan 17 2022

[kindergarten writing paper template teaching resources tpt](#) - Jul 23 2022

web printable writing paper to learn and practice handwriting suitable for preschool kindergarten and early elementary style 1 character spacer line this paper is ideal

printable writing paper for handwriting first school - Mar 19 2022

kindergarten story writing paper template essay service - Dec 16 2021

more than 70 free writing paper downloads for kids storytime - Oct 26 2022

web materials large pad of chart paper or four large sheets of plain white butcher paper markers students sheets of writing

paper three pages stapled together like a book for

windows server 2012 unleashed help environment harvard edu - Apr 17 2022

web look guide windows server 2012 unleashed as you such as by searching the title publisher or authors of guide you in reality want you can discover them rapidly in the house workplace or perhaps in your method can be every best area within net connections if you set sights on to download and install the windows server 2012 unleashed it is

windows server 2012 unleashed pdf book library - Jul 01 2023

web sep 10 2012 read online windows server 2012 unleashed and download windows server 2012 unleashed book full in pdf formats search results for windows server 2012 unleashed pdf download pdf download

windows server 2012 unleashed worldcat org - Mar 29 2023

web windows server 2012 unleashed authors rand morimoto michael noel omar droubi andrew abbate guy yardeni chris amaris summary a comprehensive and realistic guide to windows server 2012 planning design prototyping implementation migration administration and support

read ebook windows server 2012 unleashed full pages yumpu - Feb 25 2023

web close try adfree self publishing discover

windows server 2012 unleashed kobo com - Dec 26 2022

web extensively updated it contains unsurpassed independent and objective coverage of windows server 2012 s key innovations including improved virtualization components enhanced security tools new web and management resources and windows 8 integration windows server 2012 unleashed reflects the authors extraordinary experience

windows server 2012 unleashed amazon com - Oct 24 2022

web sep 10 2012 this is the most comprehensive and realistic guide to windows server 2012 planning design prototyping implementation migration administration and support extensively updated it contains unsurpassed independent and objective coverage of windows server 2012 s key innovations including improved virtualization components

windows server 2012 unleashed guide books acm digital - Aug 02 2023

web abstract this is the most comprehensive and realistic guide to windows server 2012 planning design prototyping implementation migration administration and support extensively updated it contains unsurpassed independent and objective coverage of windows server 2012s key innovations including improved virtualization components

windows server 2012 unleashed pdf epub download - Sep 03 2023

web windows server 2012 unleashed book in pdf epub and kindle version is available to download in english read online anytime anywhere directly from your device click on the download button below to get a free pdf file of windows server 2012 unleashed book this book definitely worth reading it is an incredibly well written

windows server 2012 unleashed google books - Oct 04 2023

web sep 10 2012 this is the most comprehensive and realistic guide to windows server 2012 planning design prototyping implementation migration administration and support extensively updated it

[windows server 2012 unleashed 1st edition amazon com](#) - Jan 27 2023

web windows server 2012 unleashed morimoto rand noel michael yardeni guy droubi omar abbate andrew 9780672336225 amazon com books books

pdf windows server 2012 unleashed slideshare - Aug 22 2022

web download windows server 2012 unleashed book details series unleashed hardcover 1648 pages publisher sams publishing 1 edition september 26 2012 langu

windows server 2012 unleashed pdf download minedit com - Sep 22 2022

web downloadable in pdf format windows server 2012 unleashed is a how to manual for setting up configuring and maintaining a server running microsoft s latest operating system thank you for reading minedit

[windows server 2012 unleashed p d f ppt](#) - Nov 24 2022

web dec 15 2018 801 52 slides windows server 2012 unleashed p d f download as a pdf or view online for free

windows server 2012 unleashed by sams pdf minedit - Jul 21 2022

web windows server 2012 unleashed by sams pdf thanks for visiting minedit if you have any questions about this pdf feel free to leave a comment in the comment section below for dmca requests please email dmca minedit com incomplete kd 0 jaydon hoover minedit is the largest website blog on the internet it talks about everything pdf

windowsserver2012unleashed copy dev sfcg - Mar 17 2022

web windows server 2016 unleashed includes content update program introducing microsoft sql server 2012

windowsserver2012unleashed downloaded from dev sfcg org by guest

windows server 2012 unleashed pdf kayongblogger com - May 19 2022

web windows server 2012 unleashed written by rand morimoto and has been published by sams publishing this book supported file pdf txt epub kindle and other format this book has been release on 2012 09 10 with computers categories

windowsserver2012unleashed - Apr 29 2023

web ease the roll out of microsoft s latest messaging server visual basic 2012 unleashed jul 28 2022 normal 0 false false false microsoftinternetexplorer4 fully updated for windows 8 support net 4 5 and windows phone development this is the most comprehensive practical reference to modern programming with visual basic 2012

get the free windows server 2012 unleashed pdf form pdfiller - Jun 19 2022

web the windows server unleashed pdf refers to an electronic version of this book that can be read on a computer or

handheld device it provides detailed information tips and insights into various topics related to windows server administration deployment networking security storage and more

windows server 2012 unleashed ebookpromotions online - Feb 13 2022

web windows server 2012 unleashed is available for free download in a number of formats including epub pdf azw mobi and more you can also read the full text online using our ereader anywhere anytime download ebooks through an incredibly easy to use online platform optimised for desktops tablets and mobile

windows server 2012 unleashed book o reilly media - May 31 2023

web windows server 2012 unleashed reflects the authors extraordinary experience implementing windows server 2012 in large scale environments since its earliest alpha releases reaching back more than two years prior to its official launch

kuchenglück lieblingsrezepte für kuchen mehr goodreads - Apr 12 2023

web hardcover published march 9 2015 book details editions

[kuchenglück lieblingsrezepte für kuchen mehr amazon de](#) - Oct 18 2023

web kuchenglück lieblingsrezepte für kuchen mehr tarek malouf isbn 9783799502344 kostenloser versand für alle bücher mit versand und verkauf duch amazon

kuchenglück lieblingsrezepte für kuchen mehr hardcover - Jun 14 2023

web buy kuchenglück lieblingsrezepte für kuchen mehr by malouf tarek isbn 9783799502344 from amazon s book store everyday low prices and free delivery on eligible orders

kuchenglück lieblingsrezepte für kuchen mehr von tarek - Mar 11 2023

web kuchenglück lieblingsrezepte für kuchen mehr von tarek malouf 19 februar 2013 isbn kostenloser versand für alle bücher mit versand und verkauf duch amazon

[kuchen lieblingsrezepte rezepte chefkoch](#) - Jul 03 2022

web rezepte kuchen lieblingsrezepte wir haben 28 schöne kuchen lieblingsrezepte rezepte für dich gefunden finde was du suchst unkompliziert phantastisch jetzt ausprobieren mit chefkoch de

buchrezension kuchenglück lieblingsrezepte für kuchen mehr - May 13 2023

web aug 17 2014 neben meinen liebungen cupcakes und brownies enthält das buch außerdem rezepte für kuchen torten cookies muffins und pies das buch beginnt mit einer kurzen einleitung und drei grundrezepten für frostings im buch glasuren genannt vanille schoko und frischkäse

kuchenglück lieblingsrezepte für kuchen mehr amazon fr - Nov 07 2022

web noté 5 retrouvez kuchenglück lieblingsrezepte für kuchen mehr et des millions de livres en stock sur amazon fr achetez neuf ou d occasion

amazon de kundenrezensionen kuchenglück Lieblingsrezepte für kuchen - Jan 09 2023

web finde hilfreiche kundenrezensionen und rezensionsbewertungen für kuchenglück Lieblingsrezepte für kuchen mehr auf amazon de lese ehrliche und unvoreingenommene rezensionen von unseren nutzern

kuchenglück Lieblingsrezepte für kuchen mehr librarything - Feb 10 2023

web click to read more about kuchenglück Lieblingsrezepte für kuchen mehr by tarek malouf librarything is a cataloging and social networking site for booklovers

olahan singkong terbaru kue singkong gulung super enak youtube - Jun 02 2022

web olahan singkong terbaru kue singkong gulung super enak legit keset dan anti languhai mams welcome back to my youtube channel nah divideo kali ini aku mau b

amazon com kuchenglück Lieblingsrezepte für kuchen mehr - Aug 04 2022

web amazon com kuchenglück Lieblingsrezepte für kuchen mehr 9783799502344 malouf tarek libros

kuchenglück Lieblingsrezepte für kuchen mehr malouf tarek - Jul 15 2023

web mar 9 2015 kuchenglück Lieblingsrezepte für kuchen mehr malouf tarek on amazon com free shipping on qualifying offers kuchenglück Lieblingsrezepte für kuchen mehr

kuchengluck Lieblingsrezepte fur kuchen mehr copy - Mar 31 2022

web latency era to download any of our books taking into account this one merely said the kuchengluck Lieblingsrezepte fur kuchen mehr is universally compatible behind any devices to read kuchengluck Lieblingsrezepte fur kuchen mehr 2022 11 30 jaidyn paola how to eat your christmas tree baylor mohr siebeck studies in early christianity

kuchenglück Lieblingsrezepte für kuchen mehr jan - Dec 08 2022

web informations sur le titre kuchenglück Lieblingsrezepte für kuchen mehr avec description sommaire et vérification de la disponibilité standwithukraine book info com internationaler medieninformationsdienst

kuchenglück Lieblingsrezepte für kuchen mehr amazon com br - Oct 06 2022

web compre online kuchenglück Lieblingsrezepte für kuchen mehr de malouf tarek na amazon frete grÁtis em milhares de produtos com o amazon prime encontre diversos livros em inglÊs e outras línguas com ótimos preços

kuchenglück Lieblingsrezepte für kuchen mehr hardcover - Sep 17 2023

web kuchenglück Lieblingsrezepte für kuchen mehr malouf tarek amazon com au books

kuchenglück Lieblingsrezepte für kuchen mehr tapa dura - Sep 05 2022

web kuchenglück Lieblingsrezepte für kuchen mehr malouf tarek amazon es libros

kuchengluck Lieblingsrezepte fur kuchen mehr pdf uniport edu - May 01 2022

web sep 21 2023 get not discover the notice kuchengluck Lieblingsrezepte fur kuchen mehr that you are looking for it will

extremely squander the time however below in imitation of you visit this web page it will be in view of that entirely simple to acquire as skillfully as download lead kuchengluck Lieblingsrezepte für kuchen mehr

[kuchenglück Lieblingsrezepte für kuchen mehr hardcover](#) - Aug 16 2023

web amazon in buy kuchenglück Lieblingsrezepte für kuchen mehr book online at best prices in india on amazon in read kuchenglück Lieblingsrezepte für kuchen mehr book reviews author details and more at amazon in free delivery on qualified orders

[flights to kuching kch singapore airlines](#) - Feb 27 2022

web singapore airlines destinations flights to malaysia to kuching travel to kuching with singapore airlines book your flight tickets today and get ready to enjoy world class hospitality on your safe and comfortable journey to kuching