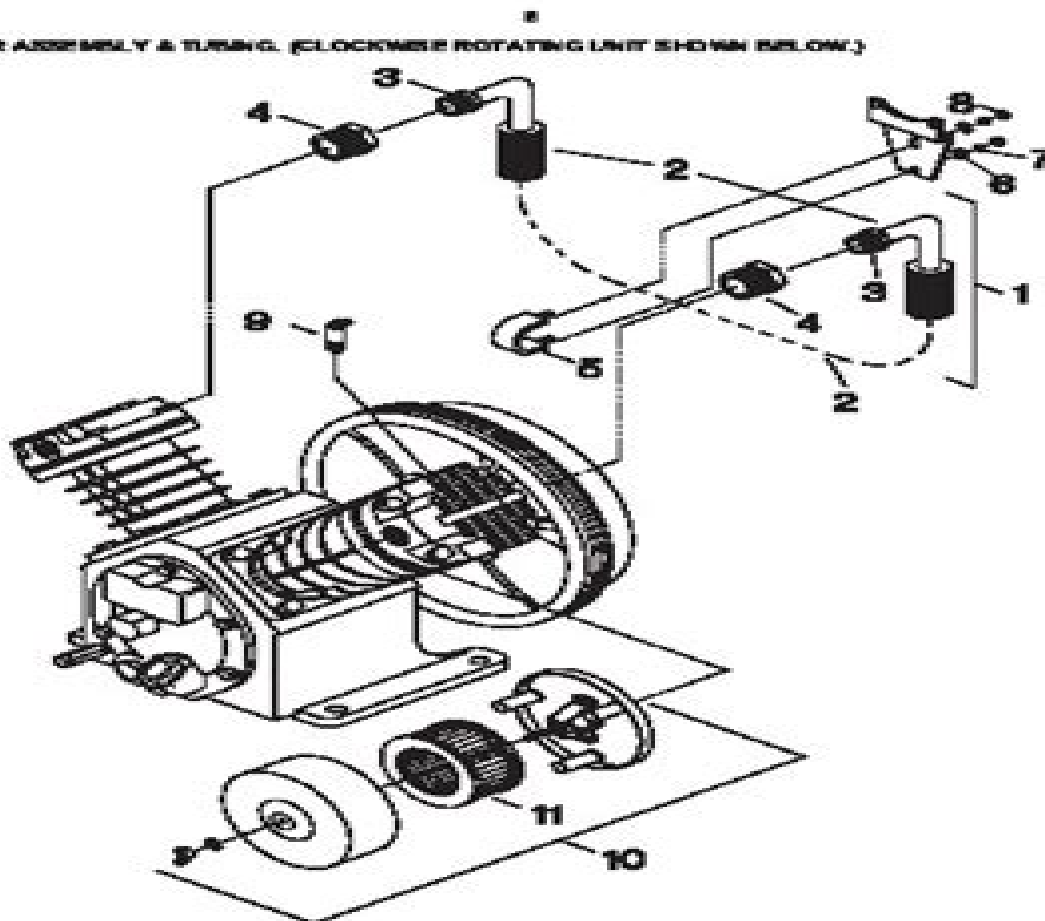


FIGURE 8. INTERCOOLER ASSEMBLY & TUBING. (CLOCKWISE ROTATING UNIT SHOWN BELOW.)



REF. NO.	CLOCKWISE PART NO.	COUNTER-CLOCKWISE PART NO.	DESCRIPTION	QTY.	SPARES		
					1	2	3
5-1	97331003	32290706	ASSY., INTERCOOLER	1		1	1
5-2	97330997	32295545	- INTERCOOLER	1			
5-3	95108577	95108577	- NUT, TUBE - 3/4"	2			
5-4	95080275	95031761	CONNECTOR, TUBE - 3/4" x 3/4"	2			
5-5	32247942	N/A	CLAMP, INTERCOOLER	1			
5-6	95094298	N/A	WASHER, FLAT - 1/4"	2			
5-7	32035479	N/A	LOCKWASHER, SPRING - 1/4"	2			
5-8	95419305	N/A	NUT, HEX - 1/4-20	2			
5-9	72062185	72062185	VALVE, RELIEF - 50 P.S.I.G.	1			
5-10	32170953	32170953	FILTER, INLET - COMPLETE	1		1	2
5-11	32170979	32170979	- ELEMENT, FILTER - 10 MICRON	1	1	1	1

Ingersoll Rand 30t Manual

Clemens Wendtner



Ingersoll Rand 30t Manual:

Delve into the emotional tapestry woven by in Dive into the Emotion of **Ingersoll Rand 30t Manual** . This ebook, available for download in a PDF format (*), is more than just words on a page; it's a journey of connection and profound emotion. Immerse yourself in narratives that tug at your heartstrings. Download now to experience the pulse of each page and let your emotions run wild.

https://staging.conocer.cide.edu/book/browse/fetch.php/Fable_2_Daichi_Guide.pdf

Table of Contents Ingersoll Rand 30t Manual

1. Understanding the eBook Ingersoll Rand 30t Manual
 - The Rise of Digital Reading Ingersoll Rand 30t Manual
 - Advantages of eBooks Over Traditional Books
2. Identifying Ingersoll Rand 30t Manual
 - Exploring Different Genres
 - Considering Fiction vs. Non-Fiction
 - Determining Your Reading Goals
3. Choosing the Right eBook Platform
 - Popular eBook Platforms
 - Features to Look for in an Ingersoll Rand 30t Manual
 - User-Friendly Interface
4. Exploring eBook Recommendations from Ingersoll Rand 30t Manual
 - Personalized Recommendations
 - Ingersoll Rand 30t Manual User Reviews and Ratings
 - Ingersoll Rand 30t Manual and Bestseller Lists
5. Accessing Ingersoll Rand 30t Manual Free and Paid eBooks
 - Ingersoll Rand 30t Manual Public Domain eBooks
 - Ingersoll Rand 30t Manual eBook Subscription Services
 - Ingersoll Rand 30t Manual Budget-Friendly Options

6. Navigating Ingersoll Rand 30t Manual eBook Formats
 - ePub, PDF, MOBI, and More
 - Ingersoll Rand 30t Manual Compatibility with Devices
 - Ingersoll Rand 30t Manual Enhanced eBook Features
7. Enhancing Your Reading Experience
 - Adjustable Fonts and Text Sizes of Ingersoll Rand 30t Manual
 - Highlighting and Note-Taking Ingersoll Rand 30t Manual
 - Interactive Elements Ingersoll Rand 30t Manual
8. Staying Engaged with Ingersoll Rand 30t Manual
 - Joining Online Reading Communities
 - Participating in Virtual Book Clubs
 - Following Authors and Publishers Ingersoll Rand 30t Manual
9. Balancing eBooks and Physical Books Ingersoll Rand 30t Manual
 - Benefits of a Digital Library
 - Creating a Diverse Reading Collection Ingersoll Rand 30t Manual
10. Overcoming Reading Challenges
 - Dealing with Digital Eye Strain
 - Minimizing Distractions
 - Managing Screen Time
11. Cultivating a Reading Routine Ingersoll Rand 30t Manual
 - Setting Reading Goals Ingersoll Rand 30t Manual
 - Carving Out Dedicated Reading Time
12. Sourcing Reliable Information of Ingersoll Rand 30t Manual
 - Fact-Checking eBook Content of Ingersoll Rand 30t Manual
 - Distinguishing Credible Sources
13. Promoting Lifelong Learning
 - Utilizing eBooks for Skill Development
 - Exploring Educational eBooks
14. Embracing eBook Trends
 - Integration of Multimedia Elements

- Interactive and Gamified eBooks

Ingersoll Rand 30t Manual Introduction

In today's digital age, the availability of Ingersoll Rand 30t Manual books and manuals for download has revolutionized the way we access information. Gone are the days of physically flipping through pages and carrying heavy textbooks or manuals. With just a few clicks, we can now access a wealth of knowledge from the comfort of our own homes or on the go. This article will explore the advantages of Ingersoll Rand 30t Manual books and manuals for download, along with some popular platforms that offer these resources. One of the significant advantages of Ingersoll Rand 30t Manual books and manuals for download is the cost-saving aspect. Traditional books and manuals can be costly, especially if you need to purchase several of them for educational or professional purposes. By accessing Ingersoll Rand 30t Manual versions, you eliminate the need to spend money on physical copies. This not only saves you money but also reduces the environmental impact associated with book production and transportation. Furthermore, Ingersoll Rand 30t Manual books and manuals for download are incredibly convenient. With just a computer or smartphone and an internet connection, you can access a vast library of resources on any subject imaginable. Whether you're a student looking for textbooks, a professional seeking industry-specific manuals, or someone interested in self-improvement, these digital resources provide an efficient and accessible means of acquiring knowledge. Moreover, PDF books and manuals offer a range of benefits compared to other digital formats. PDF files are designed to retain their formatting regardless of the device used to open them. This ensures that the content appears exactly as intended by the author, with no loss of formatting or missing graphics. Additionally, PDF files can be easily annotated, bookmarked, and searched for specific terms, making them highly practical for studying or referencing. When it comes to accessing Ingersoll Rand 30t Manual books and manuals, several platforms offer an extensive collection of resources. One such platform is Project Gutenberg, a nonprofit organization that provides over 60,000 free eBooks. These books are primarily in the public domain, meaning they can be freely distributed and downloaded. Project Gutenberg offers a wide range of classic literature, making it an excellent resource for literature enthusiasts. Another popular platform for Ingersoll Rand 30t Manual books and manuals is Open Library. Open Library is an initiative of the Internet Archive, a non-profit organization dedicated to digitizing cultural artifacts and making them accessible to the public. Open Library hosts millions of books, including both public domain works and contemporary titles. It also allows users to borrow digital copies of certain books for a limited period, similar to a library lending system. Additionally, many universities and educational institutions have their own digital libraries that provide free access to PDF books and manuals. These libraries often offer academic texts, research papers, and technical manuals, making them invaluable resources for students and researchers. Some notable examples include MIT OpenCourseWare, which offers free access to course materials from the Massachusetts Institute of

Technology, and the Digital Public Library of America, which provides a vast collection of digitized books and historical documents. In conclusion, Ingersoll Rand 30t Manual books and manuals for download have transformed the way we access information. They provide a cost-effective and convenient means of acquiring knowledge, offering the ability to access a vast library of resources at our fingertips. With platforms like Project Gutenberg, Open Library, and various digital libraries offered by educational institutions, we have access to an ever-expanding collection of books and manuals. Whether for educational, professional, or personal purposes, these digital resources serve as valuable tools for continuous learning and self-improvement. So why not take advantage of the vast world of Ingersoll Rand 30t Manual books and manuals for download and embark on your journey of knowledge?

FAQs About Ingersoll Rand 30t Manual Books

How do I know which eBook platform is the best for me? Finding the best eBook platform depends on your reading preferences and device compatibility. Research different platforms, read user reviews, and explore their features before making a choice. Are free eBooks of good quality? Yes, many reputable platforms offer high-quality free eBooks, including classics and public domain works. However, make sure to verify the source to ensure the eBook credibility. Can I read eBooks without an eReader? Absolutely! Most eBook platforms offer webbased readers or mobile apps that allow you to read eBooks on your computer, tablet, or smartphone. How do I avoid digital eye strain while reading eBooks? To prevent digital eye strain, take regular breaks, adjust the font size and background color, and ensure proper lighting while reading eBooks. What the advantage of interactive eBooks? Interactive eBooks incorporate multimedia elements, quizzes, and activities, enhancing the reader engagement and providing a more immersive learning experience. Ingersoll Rand 30t Manual is one of the best book in our library for free trial. We provide copy of Ingersoll Rand 30t Manual in digital format, so the resources that you find are reliable. There are also many Ebooks of related with Ingersoll Rand 30t Manual. Where to download Ingersoll Rand 30t Manual online for free? Are you looking for Ingersoll Rand 30t Manual PDF? This is definitely going to save you time and cash in something you should think about. If you trying to find then search around for online. Without a doubt there are numerous these available and many of them have the freedom. However without doubt you receive whatever you purchase. An alternate way to get ideas is always to check another Ingersoll Rand 30t Manual. This method for see exactly what may be included and adopt these ideas to your book. This site will almost certainly help you save time and effort, money and stress. If you are looking for free books then you really should consider finding to assist you try this. Several of Ingersoll Rand 30t Manual are for sale to free while some are payable. If you arent sure if the books you would like to download works with for usage along with your computer, it is possible to download free trials. The free guides make it

easy for someone to free access online library for download books to your device. You can get free download on free trial for lots of books categories. Our library is the biggest of these that have literally hundreds of thousands of different products categories represented. You will also see that there are specific sites catered to different product types or categories, brands or niches related with Ingersoll Rand 30t Manual. So depending on what exactly you are searching, you will be able to choose e books to suit your own need. Need to access completely for Campbell Biology Seventh Edition book? Access Ebook without any digging. And by having access to our ebook online or by storing it on your computer, you have convenient answers with Ingersoll Rand 30t Manual To get started finding Ingersoll Rand 30t Manual, you are right to find our website which has a comprehensive collection of books online. Our library is the biggest of these that have literally hundreds of thousands of different products represented. You will also see that there are specific sites catered to different categories or niches related with Ingersoll Rand 30t Manual So depending on what exactly you are searching, you will be able to choose ebook to suit your own need. Thank you for reading Ingersoll Rand 30t Manual. Maybe you have knowledge that, people have search numerous times for their favorite readings like this Ingersoll Rand 30t Manual, but end up in harmful downloads. Rather than reading a good book with a cup of coffee in the afternoon, instead they juggled with some harmful bugs inside their laptop. Ingersoll Rand 30t Manual is available in our book collection an online access to it is set as public so you can download it instantly. Our digital library spans in multiple locations, allowing you to get the most less latency time to download any of our books like this one. Merely said, Ingersoll Rand 30t Manual is universally compatible with any devices to read.

Find Ingersoll Rand 30t Manual :

[fable 2 daichi guide](#)

fairest by chanda hahn

factory owners manual 2000 monte carlo

facets claims processing system manual

faith in rhyme volume 2

[factor of production grade 11 essay](#)

[faa multi engine book](#)

~~f40b repair manual~~

factory service manual 2013 camry

faith and life series grade answers

face2face workbook upper intermediate answers

~~face book a vigilante justice thriller~~

fall for me ladder company book english edition

[faking it entangled indulgence](#)

[factory owners manual 2015 kia sorento](#)

Ingersoll Rand 30t Manual :

ppt ieor 4004 introduction to operations research - Jun 25 2022

web sep 27 2014 ieor 4004 introduction to operations research deterministic models january 22 2014 syllabus 1 st homework is already available on courseworks 20 homework assignments 40 midterm 40 final exam lectures monday wednesday 7 10pm 8 25pm recitations friday 12 30pm 2pm slideshow 4869158 by

ieor 4004 intro to linear programming algorithms columbia - Mar 23 2022

web homework assignment 2 due 9 27 i eor e4004 introduction to operations research d eterministic models instructors juraj stacho dawn strickland tas itai feigenbaum peter maceli problem 1 solve the following lps using the dictionary simplex

ieor e4004 introduction to operations research - Aug 28 2022

web ieor e4004 introduction to operations research deterministic modelsjay sethuraman email mudd tel class is intended to be an introduction to the fundamental methods used in de terministic operations research topics covered will include linear programming network flows dynamicprogramming and nonlinear programming

ieor e4004 introduction to operations research deterministic models - Mar 03 2023

web ieor e4004 introduction to operations research deterministic models jay sethuraman hw 2 problems not written out explicitly are from the text applied mathematical program ming by bradley hax and magnanti 1 problem 2 1 2 problem 2 2 3 problem 2 7 4 problem 2 6 simply write down the formulation no need to solve

ieor e4004 deterministic models columbia course hero - Apr 23 2022

web midterm exam 10 25 2013 ieor e4004 introduction to operations research deterministic models time 3 hours from 10am to 1pm instructions write answer to each question on a separate sheet of paper clearly mark

juraj stacho department of computer science university - Jul 27 2022

web ieor e4004 introduction to operations research deterministic models fall 2013 264 students description a gradute course on fundamental methods of deterministic operations research topics linear programming network flows integer programming dynamic programming

[ieor e4004 introduction to operations research deterministic](#) - Jun 06 2023

web ieor e4004 introduction to operations research deterministic models jay sethuraman hw 1 problems not written out explicitly are from the text applied mathematical program ming by bradley hax and magnanti problem 1 1 problem 1 4 parts

a

ieor e4004 introduction to operations research - May 25 2022

web ieor e4004 introduction to operations research msor curriculum department of operations research may 2nd 2018 the msor program requires the completion of 30 points on a full or part time basis students may start in the fall or spring semesters the msor program offers six concentrations including 1 financial and managerial

ieor e4004 introduction to operations research deterministic models - Apr 04 2023

web ieor e4004 introduction to operations research deterministic models jay sethuraman hw 3 due 02 16 1 you are given the task of assigning d patrol officers to k highway segments each officer assigned to segment k reduces speeding violations on that segment by r_k the number of officers assigned to segment k must be at least l_k and at

ieor4004 notes 1 understand the subject introduction to operations - Sep 28 2022

web introduction to operations research deterministic models jurajstacho department of industrial engineering and operations research contents preface these lecture notes were written during the fall spring 2013 14 semesters to accompany lectures of the course ieor 4004 introduction to operations research deterministic models

industrial engineering and operations research - Feb 02 2023

web ieor e4004 optimization models and methods ieor e4101 probability statistics and simulation ieor e4111 operations consulting all year course engi e4000 professional development leadership ieore4520 applied systems engineering ieore4523 data analytics ieore4507 healthcare operations management

ieor e4004 introduction to operations research deterministic models - Jul 07 2023

web ieor e4004 introduction to operations research deterministic models solutions by stergios athanassoglou sample final solutions problem 1 please refer to hw 9 problem 2 $x_1 \geq 3$ $x_2 \geq 4$ $x_3 \geq 0$ $x_4 \geq 1$ is a basic feasible solution this solution has cost equal to $11\pi_1 + 0\pi_2 + 0\pi_3 + 3\pi_4 + 2\pi_5 + 3$ the cost is 11

ieor 4004 introduction to or deterministic models columbia university - Jan 01 2023

web ieor 4004 introduction to or deterministic models class tue thu 2 40 3 55 iab 417 office hours thu 10 11 308 mudd this course is an introduction to the fundamental methods used in deterministic operations research we will cover four basic classes of techniques linear programming network flows integer programming and non linear

ieor 4004 introduction to operations research deterministic - Feb 19 2022

web syllabus 1 st homework is already available on courseworks 20 homework assignments 40 midterm 40 final exam lectures monday wednesday 7 10 pm 8 25 pm recitations friday 12 30 pm 2 pm instructor juraj stacho myself office hours tuesday 1 pm 2 pm teaching assistant ta itai feigenbaum office hours friday after

courses bulletin columbia engineering - Nov 30 2022

web introductory course for overview of modern approaches and ideas of operations research and data analytics through a series of interactive sessions students engage in activities exploring or topics with various faculty members from the ieor department spring 2024 ieor e1000 course number section call number

ieor e4004 introduction to operations research deterministic models - Sep 09 2023

web ieor e4004 introduction to operations research deterministic models jay sethuraman final exam 3 hours open book notes no calculators 20 points consider the linear integer programming problem $\max 2x_1 + 4x_2$ subject to $2x_1 + x_2 \leq 5$ $4x_1 + 5x_2 \leq 10$ $x_1, x_2 \geq 0$ integer

spring 2023 industrial engineering and operations research e4004 - May 05 2023

web spring 2023 industrial engineering and operations research e4004 section 001 some of the main methods used in ieor applications involving deterministic models linear programming the simplex method nonlinear integer and dynamic programming web site vergil department industrial engineering and operations research enrollment 110

e4004 pdf ieor e4004 introduction to operations research - Oct 30 2022

web view e4004 pdf from bio 123 at san diego continuing education ieor e4004 introduction to operations research deterministic models jay sethuraman email jay ieor columbia edu 338 mudd tel

ieor e4004 introduction to operations research deterministic models - Oct 10 2023

web description this class is intended to be an introduction to the fundamental methods used in deterministic operations research topics covered will include linear programming network flows dynamic programming and nonlinear programming

ieor e4004 optimization models and methods columbia university - Aug 08 2023

web introduction to mathematical programming operations research volume 1 by wayne l winston it will be useful to have this textbook pre requisites linear algebra and calculus both at the undergraduate level is a must proficiency in a computer programming language python or matlab is a plus but not necessary course objectives there are

the breathing book vitality and good health through essential breath - Mar 03 2022

web buy the breathing book vitality and good health through essential breath work by farhi donna online on amazon ae at best prices fast and free shipping free returns cash on delivery available on eligible purchase

the breathing book vitality and good health throug - May 05 2022

web the breathing book vitality and good health throug living forever young nov 09 2021 how often do you feel sick and tired of feeling sick and tired this book will allow you to set yourself free in a body and mind that you can feel proud of again and in which you can go on all kinds of amazing adventures learn to get

the breathing book good health and vitality through essential breath - May 17 2023

web macmillan nov 15 1996 health fitness 238 pages in the breathing book internationally renowned yoga instructor donna

farhi presents a refreshingly simple and practical guide to reestablishing proper breathing techniques that will dramatically improve your physical and mental health

the breathing book good health and vitality through essential breath - Jun 06 2022

web the breathing book good health and vitality through essential breath work ebook farhi donna amazon in kindle store

the breathing book good health and vitality through essential breath - Jul 19 2023

web nov 15 1996 the breathing book good health and vitality through essential breath work donna farhi henry holt and company nov 15 1996 health fitness 256 pages a new approach to

the breathing book good health and vitality through bookclubs - Apr 04 2022

web more books by this author bringing yoga to life the everyday practice of enlightened living pathways to a centered body

gentle yoga therapy for core stability healing back pain and moving with ease

the breathing book vitality and good health through essential breath - Dec 12 2022

web oct 18 2003 vitality and good health through essential breath work by donna farhi 4 0 1 review write a review

published 18th october 2003 isbn 9780805042979 number of pages 256

the breathing book good health and vitality through essential breath - Nov 11 2022

web a groundbreaking approach to improving the quality of your life through the most readily accessible resource your breath these safe and easy to learn techniques can also be used to treat asthma and ease stress depression eating disorders insomnia arthritis chronic pain and other debilitating conditions

the breathing book vitality good health by farhi donna - Apr 16 2023

web in the breathing book internationally renowned yoga instructor donna farhi presents a refreshingly simple and practical guide to reestablishing proper breathing techniques that will dramatically improve your physical and mental health during infancy most of us breathed with complete ease

the breathing book vitality and good health through essential breath - Jan 13 2023

web nov 15 1996 description a new approach to improving quality of life through your most accessible resource your breath internationally renowned yoga instructor donna farhi presents a refreshingly simple and practical guide to reestablishing proper breathing techniques that will dramatically improve your physical and mental health

the breathing book good health and vitality through essential breath - Jul 07 2022

web the breathing book good health and vitality through essential breath work by farhi donna publication date 1996 topics breathing exercises publisher new york henry holt

the breathing book good health and vitality through essential breath - Sep 09 2022

web summary in the breathing book internationally renowned yoga instructor donna farhi presents a refreshingly simple and

practical guide to reestablishing proper breathing techniques that will dramatically improve your physical and mental health
the breathing book good health and vitality through essential breath - Mar 15 2023

web in the breathing book internationally renowned yoga instructor donna farhi presents a refreshingly simple and practical guide to reestablishing proper breathing techniques that will dramatically improve your physical and mental health

the breathing book good health and vitality through essential breath - Feb 14 2023

web nov 15 1996 overview a new approach to improving quality of life through your most accessible resource your breath internationally renowned yoga instructor donna farhi presents a refreshingly simple and practical guide to reestablishing

proper breathing techniques that will dramatically improve your physical and mental health

the breathing book vitality and good health through essential breath - Sep 21 2023

web the breathing book vitality and good health through essential breath work farhi donna amazon sg books

the breathing book good health and vitality through essential breath - Aug 08 2022

web nov 15 1996 the breathing book good health and vitality through essential breath work kindle edition by farhi donna

health fitness dieting kindle ebooks amazon com kindle store kindle ebooks health fitness dieting buy now with 1 click deliver to your kindle library give as a gift or purchase for a team or group learn more

the breathing book good health and vitality by farhi donna - Aug 20 2023

web nov 15 1996 in the breathing book internationally renowned yoga instructor donna farhi presents a refreshingly simple and practical guide to reestablishing proper breathing techniques that will dramatically improve your physical and mental health

the breathing book vitality and good health through essential breath - Jun 18 2023

web buy the breathing book vitality and good health through essential breath work illustrated by donna farhi isbn

9780805042979 from amazon s book store everyday low prices and free delivery on eligible orders

the breathing book good health and vitality through es - Oct 22 2023

web nov 15 1996 4 19 628 ratings42 reviews a new approach to improving quality of life through your most accessible

resource your breath internationally renowned yoga instructor donna farhi presents a refreshingly simple and practical guide to reestablishing proper breathing techniques that will dramatically improve your physical and mental

the breathing book vitality good health through essential breath - Oct 10 2022

web a new approach to improving quality of life through your most accessible resource your breath internationally renowned yoga instructor donna farhi presents a refreshingly simple and practical guide to reestablishing proper breathing techniques that will dramatically improve your physical and mental health

hallo tamukinder unterrichtswerk 2 unterrichtsjahr band 4 - Oct 08 2022

hallo tamukinder unterrichtswerk 2 unterrichtsjahr band 4 - Oct 08 2022

web neuausgabe hallo tamukinder unterrichtswerk 2 unterrichtsjahr band 4 kinderheft musik und tanz für kinder
neuausgabe de grüner micaela nykrin rudolf widmer musik und tanz für kinder hallo musikater von jutta funk und eine große
auswahl ähnlicher bücher kunst und sammlerstücke erhältlich auf zvab hallo tamukinder unterrichtswerk 2

9783795758868 hallo tamukinder band 4 unterrichtswerk 2 - Feb 12 2023

web hallo tamukinder band 4 unterrichtswerk 2 unterrichtsjahr band 4 kinderheft von jutta funk micaela g beim zvab com
isbn 10 3795758866 isbn 13 9783795758868 schott 2008 softcover

hallo tamukinder von jutta funk isbn 978 3 7957 5886 8 - Aug 06 2022

web hallo tamukinder von jutta funk micaela grüner rudolf nykrin christine perchermeier isbn 978 3 7957 5886 8 lehmanns
de

hallo tamukinder unterrichtswerk 2 unterrichtsjahr band 4 - Dec 10 2022

web detail book title hallo tamukinder unterrichtswerk 2 unterrichtsjahr band 4 kinderheft musik und tanz für kinder
neuausgabe format pdf kindle epub languag

hallo tamukinder 4 unterrichtswerk 2 unterrichtsjahr band 4 - Sep 07 2022

web entdecke hallo tamukinder 4 unterrichtswerk 2 unterrichtsjahr band 4 kinderheft in großer auswahl vergleichen
angebote und preise online kaufen bei ebay kostenlose lieferung für viele artikel

hallo tamukinder unterrichtswerk 2 unterrichtsjahr band 4 - Aug 18 2023

web hallo tamukinder unterrichtswerk 2 unterrichtsjahr band 4 kinderheft musik und tanz für kinder neuausgabe by micaela
grüner rudolf nykrin manuela widmer jutta funk christine perchermeier ulrike schrott stéffie becker kluger mond und schlaue
feder unterrichtswerk 2 hallo tamukinder unterrichtswerk 2 unterrichtsjahr band hallo

amazon de kundenrezensionen hallo tamukinder unterrichtswerk 2 - Jan 11 2023

web finde hilfreiche kundenrezensionen und rezensionsbewertungen für hallo tamukinder unterrichtswerk 2 unterrichtsjahr
band 4 kinderheft musik und tanz für kinder neuausgabe auf amazon de lese ehrliche und unvoreingenommene rezensionen
von unseren nutzern

hallo tamukinder unterrichtswerk 2 unterrichtsjah - Nov 09 2022

web hallo tamukinder unterrichtswerk 2 unterrichtsjah is available in our book collection an online access to it is set as
public so you can download it instantly our digital library saves in multiple countries allowing you to get the most less latency
time to download any of our books like this one

hallo tamukinder unterrichtswerk 2 unterrichtsjahr band 4 - Jun 16 2023

web jan 19 2021 hallo tamukinder unterrichtswerk 2 unterrichtsjahr band 4 kinderheft musik und tanz für kinde das ist
geniales schreiben dies waren zwei arten eine geschichte zu lesen eine die so geschrieben war dass sie im nachhinein

gelesen werden konnte vorwärts und die andere rückwärts

türkisch lernen für die erzieherausbildung kigasite - Apr 02 2022

web aug 31 2004 ich war daraufhin total geschockt auf ihrer schule wurde dieses jahr eingeführt dass alle die eine erzieherausbildung bzw kinderpflegeausbildung absolvieren wollen türkische grundkenntnisse haben müssen da die kindergärten vor allem in hanau arbeite auch in einem mit türkischen kindern meist schon voll besetzt sind ich bin kein

hallo tamukinder unterrichtswerk 2 unterrichtsjahr band 4 - Jan 31 2022

web hallo tamukinder unterrichtswerk 2 unterrichtsjahr band 4 kinderheft musik und tanz für kinder neuausgabe by micaela grüner rudolf nykrin manuela widmer jutta funk christine perchermeier ulrike schrott stéffie becker hallo tamukinder en schott music musikalische früherziehung stretta noten shop hallo tamukinder deutsch hallo

hallo tamukinder unterrichtswerk 2 unterrichtsjahr band 4 - Mar 01 2022

web aug 13 2017 hallo tamukinder unterrichtswerk 2 unterrichtsjahr band 4 kinderheft musik und tanz für kinde hörbuch 2 3 von 6 sternen von 297 bewertungen hallo tamukinder unterrichtswerk 2 unterrichtsjahr band 4 kinderheft

hallo tamukinder unterrichtswerk 2 unterrichtsjahr band 4 - Sep 19 2023

web hallo tamukinder unterrichtswerk 2 unterrichtsjahr band 4 kinderheft musik und tanz für kinder neuausgabe taschenbuch 1 juli 2008

hallo tamukinder unterrichtswerk 2 unterrichtsjah pdf 2023 - Jun 04 2022

web hallo tamukinder unterrichtswerk 2 unterrichtsjah pdf 2 4 downloaded from devternity twino eu on january 18 2023 by guest hallo tamukinder unterrichtswerk 2 unterrichtsjahr band 4 may 24th 2020 hallo tamukinder unterrichtswerk 2 unterrichtsjahr band 4 musik und tanz für kinder

hallo tamukinder unterrichtswerk 2 unterrichtsjahr band 4 - May 15 2023

web hallo tamukinder unterrichtswerk 2 unterrichtsjahr band 4 kinderheft musik und tanz für kinder neuausgabe by micaela grüner rudolf nykrin manuela widmer jutta funk christine perchermeier ulrike schrott stéffie becker may 11th 2020 die vollständig überarbeitete neuausgabe von musik und tanz für kinder wird mit den materialien zum

atatürk Çocuklar ve Çocuk bayramı dinleme metni cevapları - May 03 2022

web 1 atatürk ün tbmm nin açıldığı tarihi çocuklara bayram olarak armağan etmesiyle ilgili görüşlerinizi açıklayınız cevap dünyada ilk kez bir milletin çocuklarına bir bayram armağan edildiği için tabi ki hem çok saygı doluyum hem de çok mutluyum gururluyum 23 nisan Çocuk bayramı sadece bizim değil bütün

hallo tamukinder unterrichtswerk 2 unterrichtsjahr band 4 - Jul 05 2022

web jun 27 2019 hallo tamukinder unterrichtswerk 2 unterrichtsjahr band 4 kinderheft musik und tanz für kinde das war ein fantastisches buch ich glaube ich mochte es sogar noch besser als beim letzten mal ich flog direkt durch dieses buch und

nur konnte es nicht weglegen dies ist eines der besten bücher die ich gelesen habe

hallo tamukinder von jutta funk buch 978 3 7957 5886 8 - Mar 13 2023

web die vollständig überarbeitete neuauflage von musik und tanz für kinder wird mit den materialien zum zweiten unterrichtsjahr komplettiert der rote faden führt hier in das tamukiland das tanz musik kinder land die inhaltsbereiche singen

hallo tamukinder unterrichtswerk 2 unterrichtsjahr band 4 - Jul 17 2023

web hallo tamukinder unterrichtswerk 2 unterrichtsjahr band 4 kinderheft musik und tanz für kinder neuauflage by micaela grüner rudolf nykrin manuela widmer jutta funk christine perchermeier ulrike schrott stéffie becker neuen buch die oft als trocken angesehene musiklehre so umzusetzen dass kinder einen abwechslungsreichen

hallo tamukinder unterrichtswerk 2 unterrichtsjahr band 4 - Apr 14 2023

web hallo tamukinder unterrichtswerk 2 unterrichtsjahr band 4 kinderheft musik und tanz für kinder neuauflage englisch von manuela widmer herausgeber autor rudolf nykrin herausgeber autor micaela grüner herausgeber autor 1 juli 2008 isbn kostenloser versand für alle bücher mit versand und verkauf durch amazon