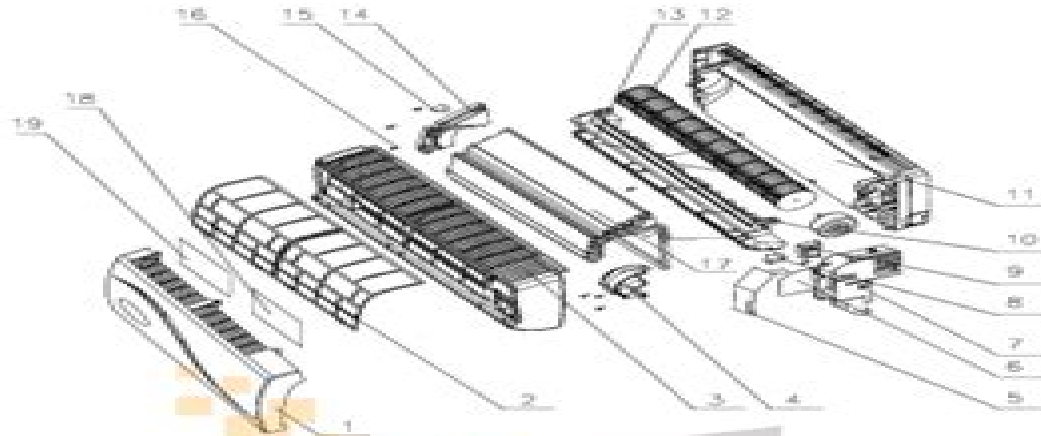
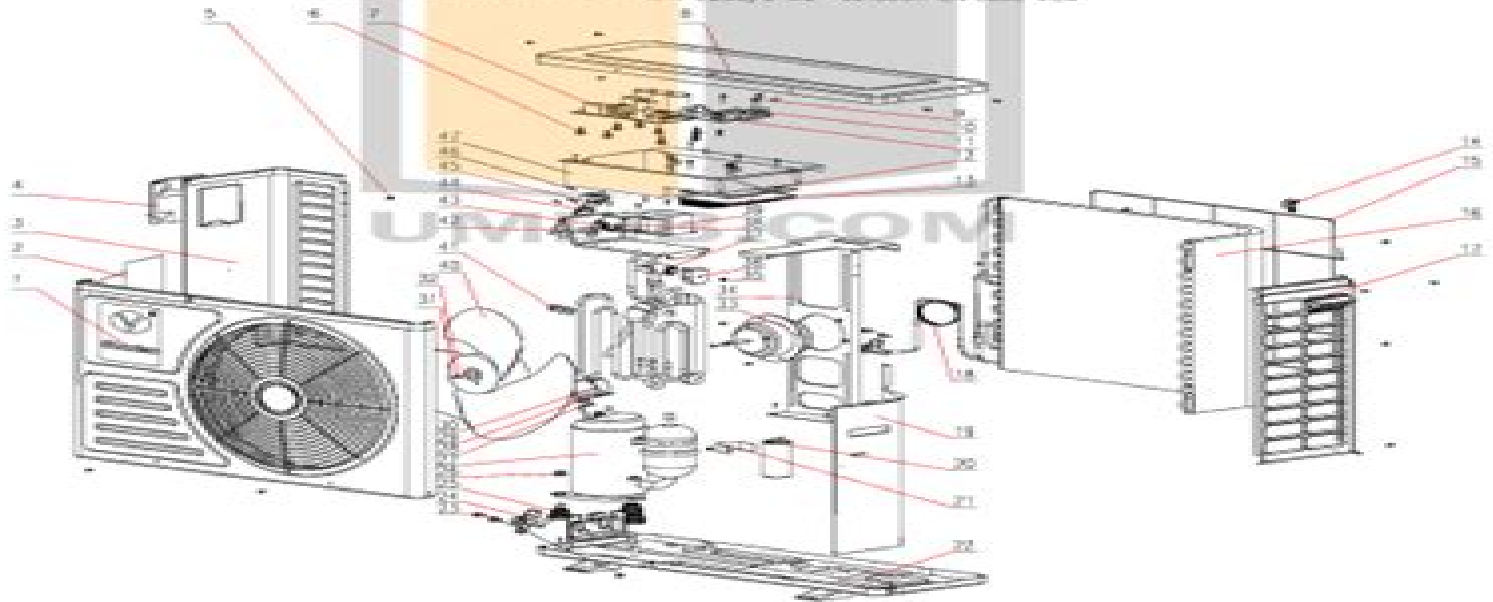


KFR-25GW/BPW₃ INDOOR EXPLODE VIEW



KFR-25GW/BPW₃ OUTDOOR EXPLODE VIEW



Hisense Kfr 2308gw Air Conditioners Owners Manual

JE Gale



Hisense Kfr 2308gw Air Conditioners Owners Manual:

Reviewing **Hisense Kfr 2308gw Air Conditioners Owners Manual**: Unlocking the Spellbinding Force of Linguistics

In a fast-paced world fueled by information and interconnectivity, the spellbinding force of linguistics has acquired newfound prominence. Its capacity to evoke emotions, stimulate contemplation, and stimulate metamorphosis is actually astonishing. Within the pages of "**Hisense Kfr 2308gw Air Conditioners Owners Manual**," an enthralling opus penned by a highly acclaimed wordsmith, readers attempt an immersive expedition to unravel the intricate significance of language and its indelible imprint on our lives. Throughout this assessment, we shall delve in to the book is central motifs, appraise its distinctive narrative style, and gauge its overarching influence on the minds of its readers.

https://staging.conocer.cide.edu/About/detail/Documents/lettres_a_sa_mere.pdf

Table of Contents Hisense Kfr 2308gw Air Conditioners Owners Manual

1. Understanding the eBook Hisense Kfr 2308gw Air Conditioners Owners Manual
 - The Rise of Digital Reading Hisense Kfr 2308gw Air Conditioners Owners Manual
 - Advantages of eBooks Over Traditional Books
2. Identifying Hisense Kfr 2308gw Air Conditioners Owners Manual
 - Exploring Different Genres
 - Considering Fiction vs. Non-Fiction
 - Determining Your Reading Goals
3. Choosing the Right eBook Platform
 - Popular eBook Platforms
 - Features to Look for in an Hisense Kfr 2308gw Air Conditioners Owners Manual
 - User-Friendly Interface
4. Exploring eBook Recommendations from Hisense Kfr 2308gw Air Conditioners Owners Manual
 - Personalized Recommendations
 - Hisense Kfr 2308gw Air Conditioners Owners Manual User Reviews and Ratings
 - Hisense Kfr 2308gw Air Conditioners Owners Manual and Bestseller Lists

5. Accessing Hisense Kfr 2308gw Air Conditioners Owners Manual Free and Paid eBooks
 - Hisense Kfr 2308gw Air Conditioners Owners Manual Public Domain eBooks
 - Hisense Kfr 2308gw Air Conditioners Owners Manual eBook Subscription Services
 - Hisense Kfr 2308gw Air Conditioners Owners Manual Budget-Friendly Options
6. Navigating Hisense Kfr 2308gw Air Conditioners Owners Manual eBook Formats
 - ePub, PDF, MOBI, and More
 - Hisense Kfr 2308gw Air Conditioners Owners Manual Compatibility with Devices
 - Hisense Kfr 2308gw Air Conditioners Owners Manual Enhanced eBook Features
7. Enhancing Your Reading Experience
 - Adjustable Fonts and Text Sizes of Hisense Kfr 2308gw Air Conditioners Owners Manual
 - Highlighting and Note-Taking Hisense Kfr 2308gw Air Conditioners Owners Manual
 - Interactive Elements Hisense Kfr 2308gw Air Conditioners Owners Manual
8. Staying Engaged with Hisense Kfr 2308gw Air Conditioners Owners Manual
 - Joining Online Reading Communities
 - Participating in Virtual Book Clubs
 - Following Authors and Publishers Hisense Kfr 2308gw Air Conditioners Owners Manual
9. Balancing eBooks and Physical Books Hisense Kfr 2308gw Air Conditioners Owners Manual
 - Benefits of a Digital Library
 - Creating a Diverse Reading Collection Hisense Kfr 2308gw Air Conditioners Owners Manual
10. Overcoming Reading Challenges
 - Dealing with Digital Eye Strain
 - Minimizing Distractions
 - Managing Screen Time
11. Cultivating a Reading Routine Hisense Kfr 2308gw Air Conditioners Owners Manual
 - Setting Reading Goals Hisense Kfr 2308gw Air Conditioners Owners Manual
 - Carving Out Dedicated Reading Time
12. Sourcing Reliable Information of Hisense Kfr 2308gw Air Conditioners Owners Manual
 - Fact-Checking eBook Content of Hisense Kfr 2308gw Air Conditioners Owners Manual
 - Distinguishing Credible Sources
13. Promoting Lifelong Learning

- Utilizing eBooks for Skill Development
 - Exploring Educational eBooks
14. Embracing eBook Trends
- Integration of Multimedia Elements
 - Interactive and Gamified eBooks

Hisense Kfr 2308gw Air Conditioners Owners Manual Introduction

In today's digital age, the availability of Hisense Kfr 2308gw Air Conditioners Owners Manual books and manuals for download has revolutionized the way we access information. Gone are the days of physically flipping through pages and carrying heavy textbooks or manuals. With just a few clicks, we can now access a wealth of knowledge from the comfort of our own homes or on the go. This article will explore the advantages of Hisense Kfr 2308gw Air Conditioners Owners Manual books and manuals for download, along with some popular platforms that offer these resources. One of the significant advantages of Hisense Kfr 2308gw Air Conditioners Owners Manual books and manuals for download is the cost-saving aspect. Traditional books and manuals can be costly, especially if you need to purchase several of them for educational or professional purposes. By accessing Hisense Kfr 2308gw Air Conditioners Owners Manual versions, you eliminate the need to spend money on physical copies. This not only saves you money but also reduces the environmental impact associated with book production and transportation. Furthermore, Hisense Kfr 2308gw Air Conditioners Owners Manual books and manuals for download are incredibly convenient. With just a computer or smartphone and an internet connection, you can access a vast library of resources on any subject imaginable. Whether you're a student looking for textbooks, a professional seeking industry-specific manuals, or someone interested in self-improvement, these digital resources provide an efficient and accessible means of acquiring knowledge. Moreover, PDF books and manuals offer a range of benefits compared to other digital formats. PDF files are designed to retain their formatting regardless of the device used to open them. This ensures that the content appears exactly as intended by the author, with no loss of formatting or missing graphics. Additionally, PDF files can be easily annotated, bookmarked, and searched for specific terms, making them highly practical for studying or referencing. When it comes to accessing Hisense Kfr 2308gw Air Conditioners Owners Manual books and manuals, several platforms offer an extensive collection of resources. One such platform is Project Gutenberg, a nonprofit organization that provides over 60,000 free eBooks. These books are primarily in the public domain, meaning they can be freely distributed and downloaded. Project Gutenberg offers a wide range of classic literature, making it an excellent resource for literature enthusiasts. Another popular platform for Hisense Kfr 2308gw Air Conditioners Owners Manual books and manuals is Open Library. Open Library is an initiative of the Internet Archive, a non-profit organization dedicated to digitizing cultural

artifacts and making them accessible to the public. Open Library hosts millions of books, including both public domain works and contemporary titles. It also allows users to borrow digital copies of certain books for a limited period, similar to a library lending system. Additionally, many universities and educational institutions have their own digital libraries that provide free access to PDF books and manuals. These libraries often offer academic texts, research papers, and technical manuals, making them invaluable resources for students and researchers. Some notable examples include MIT OpenCourseWare, which offers free access to course materials from the Massachusetts Institute of Technology, and the Digital Public Library of America, which provides a vast collection of digitized books and historical documents. In conclusion, Hisense Kfr 2308gw Air Conditioners Owners Manual books and manuals for download have transformed the way we access information. They provide a cost-effective and convenient means of acquiring knowledge, offering the ability to access a vast library of resources at our fingertips. With platforms like Project Gutenberg, Open Library, and various digital libraries offered by educational institutions, we have access to an ever-expanding collection of books and manuals. Whether for educational, professional, or personal purposes, these digital resources serve as valuable tools for continuous learning and self-improvement. So why not take advantage of the vast world of Hisense Kfr 2308gw Air Conditioners Owners Manual books and manuals for download and embark on your journey of knowledge?

FAQs About Hisense Kfr 2308gw Air Conditioners Owners Manual Books

How do I know which eBook platform is the best for me? Finding the best eBook platform depends on your reading preferences and device compatibility. Research different platforms, read user reviews, and explore their features before making a choice. Are free eBooks of good quality? Yes, many reputable platforms offer high-quality free eBooks, including classics and public domain works. However, make sure to verify the source to ensure the eBook credibility. Can I read eBooks without an eReader? Absolutely! Most eBook platforms offer web-based readers or mobile apps that allow you to read eBooks on your computer, tablet, or smartphone. How do I avoid digital eye strain while reading eBooks? To prevent digital eye strain, take regular breaks, adjust the font size and background color, and ensure proper lighting while reading eBooks. What the advantage of interactive eBooks? Interactive eBooks incorporate multimedia elements, quizzes, and activities, enhancing the reader engagement and providing a more immersive learning experience. Hisense Kfr 2308gw Air Conditioners Owners Manual is one of the best book in our library for free trial. We provide copy of Hisense Kfr 2308gw Air Conditioners Owners Manual in digital format, so the resources that you find are reliable. There are also many Ebooks of related with Hisense Kfr 2308gw Air Conditioners Owners Manual. Where to download Hisense Kfr 2308gw Air Conditioners Owners Manual online for free? Are you looking for Hisense Kfr 2308gw Air Conditioners Owners Manual PDF? This is

definitely going to save you time and cash in something you should think about.

Find Hisense Kfr 2308gw Air Conditioners Owners Manual :

lettres a sa mere

letters to parents in reading

lewis and clark for kids their journey of discovery with 21 activities

letters from yellowstone

letters of sarah orne jewett 1879-1904 american autobiography

letters from heaven an illuminated alphabet

liar liar pants on fire

letters of a woman homesteader classics on cassettes collection

lettres archives du futur

lewis howard latimer an inventive mind leveled science

letters to a grandson

liberalism and the limits of justice

letters to a young man about town

letters and prose writings of william cowper vol. 3 letters 1787-1791

leucocyte typing-vi

Hisense Kfr 2308gw Air Conditioners Owners Manual :

topographische karten brandenburg strausberg und umgebung - Mar 11 2023

web topographische karten brandenburg strausberg und umgebung topographische freizeitskarte 1 25000 land brandenburg

für wanderungen rad und bootsfahrten landesvermessung und geobasisinformation brandenburg isbn 9783749040742

kostenloser versand für alle bücher mit versand und verkauf durch amazon

topographische karten lgb startseite geobasis bb de - Aug 16 2023

web karten vom land brandenburg für unterschiedliche anforderungen topographische karten sind landschaftsbeschreibende

karten welche die erdoberfläche in ihren verschiedenen erscheinungsformen anschaulich wiedergeben

l3548 strausberg 1 50 000 topographische karte brandenburg - Feb 10 2023

web topographische karte brandenburg bl l3548 strausberg im maßstab 1 50 000 tk50 titelfarbe blau maßstab 1 50 000 2 cm

der karte 1 km in der natur blattbezeichnung l und vierstellige nummer und name des größten ortes z b l3548 strausberg
kartenformat ungefalt 76 cm x 49 cm gefaltet 11 cm x 24 cm

topografische karten brandenburg höhe relief - Jul 03 2022

web topografische karten brandenburg klicken sie auf eine karte um ihre topografie ihre höhe und ihr relief anzuzeigen
topographische karten brandenburg strausberg und copy - Feb 27 2022

web topographische karten brandenburg strausberg und katalog der bibliothek des königlich preussischen ministeriums des
innern historisches ortlexikon für brandenburg barnim statistisch topographische beschreibung der kurmark brandenburg
berlin und umgebung 1774 1775 wanderungen durch brandenburg 50 touren durch das ganze
9783749040742 topographische karten brandenburg strausberg und - Jun 02 2022

web topographische karten brandenburg strausberg und umgebung topographische freizeitskarte 1 25000 land brandenburg
für wanderungen rad und bootsfahrten finden sie alle bücher von landesvermessungsamt brandenburg

topografische karte strausberg höhe relief - Jul 15 2023

web name topografische karte strausberg höhe relief ort strausberg märkisch oderland brandenburg deutschland 52 51420
13 81315 52 60352 13 94039

topografische karte brandenburg höhe relief - Oct 06 2022

web visualisierung und teilen von kostenlosen topografischen karten brandenburg deutschland katzengebirge reicht werden
in brandenburg der fläming und seine östliche fortsetzung der lausitzer grenzwall mit dem muskauer faltenbogen
zugerechnet er ist im durchschnitt höher als der baltische landrücken jener erstreckt sich von

topographische karte brandenburg 1 50 000 - May 01 2022

web landesvermessung und geobasisinformation brandenburg lgb topographische karten 1 50 000 atkis maßstab 1 cm in der
karte 500 m in der natur anzahl der kartenblätter 88 blattschnitt gradabteilungskarte mit 0 20 geographischer länge und 0
12 geographischer breite naturmaß ca 23 km x 22 km landschaftsfläche von ca

historische karten lgb startseite geobasis bb de - Jan 09 2023

web historische karten daten und publikationen sind momentaufnahmen der jeweiligen zeit reiht man gleiche karten zeitlich
aneinander werden oft erstaunliche und aufschlussreiche erkenntnisse über die veränderungen im landschaftsbild offenbar
darüber hinaus bietet sich ein weites feld für heimatkundliche und historisch interessierte

geoportal brandenburg start - Dec 08 2022

web das geoportal brandenburg bietet einen zentralen zugang zu geodaten und geodiensten der geodateninfrastruktur
brandenburg

top karten 1 10 000 lgb startseite geobasis bb de - Jun 14 2023

web digitale topographische karte 1 10 000 farbe brandenburg mit berlin wmts bb be dtk10 farbe der web map tile service stellt die digitale topographische karte 1 10 000 vom gebiet brandenburg berlin in farbstufen zur verfügung digitale topographische karte 1 10 000 grau brandenburg mit berlin wms bb be dtk10

[3449 strausberg topographische karte 1 25 000 mapfox](#) - Mar 31 2022

web hochwertige topographische landkarte vom landesvermessungsamt brandenburg landesvermessung und geobasisinformation brandenburg kartenbeispiel externer link blattschnitte der serie *topographische karten brandenburg strausberg und umgebung* - Aug 04 2022

web topographische karten brandenburg strausberg und umgebung topographische freizeitkarte 1 25000 land brandenburg für wanderungen rad und bootsfahrten landesvermessung und geobasisinformation brandenburg amazon de books

[wetter strausberg 7 tage prognose wetter com](#) - Dec 28 2021

web das wetter in 15344 strausberg finden sie bei wetter com die aktuelle wettervorhersage für heute und die nächsten 7 tage inkl temperatur wetterzustand und regenwahrscheinlichkeit

[*3449 strausberg 1 25 000 topographische karte brandenburg*](#) - Nov 07 2022

web topographische karte brandenburg bl 3449 strausberg im maßstab 1 25 000 tk25 titelfarbe grün maßstab 1 25 000 4 cm der karte 1 km in der natur blattbezeichnung vierstellige nummer und name des größten ortes z b 2739 gerdshagen kartenformat ungefaltet 76 cm x 49 cm gefaltet 11 cm x 24 cm

digitale topographische karte 1 25 000 3449 strausberg - May 13 2023

web digitale topographische karte 1 25 000 3449 strausberg die digitalen topographischen karten werden aus digitalen landschafts und geländemodellen sowie dem amtlichen liegenschaftskatasterinformationssystem alkis erzeugt und nach dem bundeseinheitlichen atkis signaturenkatalog visualisiert

topographische karten brandenburg strausberg und umgebung - Sep 05 2022

web jan 1 1998 topographische karten brandenburg strausberg und umgebung by january 1 1998 geocenter ilh edition paperback in german deutsch

[*brandenburgviewer geobasis bb de*](#) - Apr 12 2023

web navigation ein ausblenden hilfe feedback neuerungen

wetter strausberg wetter com - Jan 29 2022

web wie wird das wetter heute in strausberg temperatur wind und regenvorhersage sowie aktuelle wetterwarnungen finden sie auf wetter com für 15344 strausberg brandenburg deutschland

[*postkartenkalender 2020 wird großartig kalender amazon de*](#) - Aug 15 2023

web postkartenkalender 2020 wird großartig grafik werkstatt das original isbn 9783862297047 kostenloser versand für alle

bücher mit versand und verkauf duch amazon

suchergebnis auf amazon de für postkartenkalender 2020 - Apr 30 2022

web suchergebnis auf amazon de für postkartenkalender 2020 zum hauptinhalt wechseln de lieferung an kassel 34117 melde dich an um deinen standort zu aktualisieren alle wähle die kategorie aus in der du suchest

postkartenkalender 2020 wird großartig kalender bei weltbild at - Mar 10 2023

web bestellen sie postkartenkalender 2020 wird großartig entdecken sie weitere kalender im weltbild online shop finden sie ein riesen angebot an kalendern buch dabei versandkostenfrei

postkartenkalender 2020 wird großartig kalender bei weltbild de - Jun 13 2023

web jetzt postkartenkalender 2020 wird großartig bestellen und weitere tolle kalender entdecken auf weltbild de

postkartenkalender 2020 wird großartig amazon es libros - Sep 04 2022

web postkartenkalender 2020 wird großartig amazon es libros saltar al contenido principal es hola elige tu dirección todos los departamentos es hola identifícate cuenta y listas devoluciones y pedidos cesta todo servicio al

postkartenkalender 2020 wird grossartig - Aug 03 2022

web postkartenkalender 2020 wird grossartig this is likewise one of the factors by obtaining the soft documents of this postkartenkalender 2020 wird grossartig by online you might not require more get older to spend to go to the ebook introduction as without difficulty as search for them in some cases you likewise realize not discover the notice

postkartenkalender 2020 wird großartig kalender amazon nl - Jul 14 2023

web postkartenkalender 2020 wird großartig grafik werkstatt das original amazon nl boeken

postkartenkalender 2020 wird großartig by grafik werkstatt das - Jun 01 2022

web may 23rd 2020 weitere produktinformationen zu postkartenkalender 2020 wird grossartig jeden tag ein lächeln jeden monat eine überraschung das ganze jahr über freude unsere kalender verschönern mit lebendigen motiven und ausgewählten texten blatt für blatt deine vier jahreszeiten und deine vier wände postkartenkalender 2020 wird

ana sayfa kartpostal kutusu - Jan 28 2022

web hakkımızda İletişim info kartpostalkutusu com 2017 2023 kartpostal kutusu tasarım adamkarga

windows 10 için posta ve takvim de e posta iletilerim veya takvim - Dec 27 2021

web windows 10 için posta ve takvim de iletilerinizi veya etkinliklerinizi göremiyorsanız bu çözümleri deneyin

postkartenkalender 2020 wird grossartig □□□□ □□□□ - Dec 07 2022

web amazon co jp postkartenkalender 2020 wird grossartig □□□ □□□□□□

9783862297047 postkartenkalender 2020 wird großartig - Jan 08 2023

web postkartenkalender 2020 wird großartig finden sie alle bücher von bei der büchersuchmaschine eurobuch com können

sie antiquarische und neubücher vergleichen und sofort zum bestpreis bestellen 9783862297047

postkartenkalender 2020 wird großartig amazon com br - Jul 02 2022

web compre online postkartenkalender 2020 wird großartig de na amazon frete grÁtis em milhares de produtos com o amazon prime encontre diversos livros em inglÊs e outras línguas com ótimos preços

postkartenkalender 2020 wird grossartig pdf 2023 support ortax - Nov 06 2022

web postkartenkalender 2020 wird grossartig pdf introduction postkartenkalender 2020 wird grossartig pdf 2023

postkartenkalender 2020 wird großartig buch24 de - Feb 09 2023

web postkartenkalender 2020 wird großartig jeden tag ein lächeln jeden monat eine Überraschung das ganze jahr über freude unsere kalender verschönern mit lebendigen motiven und ausgewählten texten blatt für blatt deine vier jahreszeiten und kalender

postkartenkalender 2020 wird grossartig weltbild - Apr 11 2023

web jetzt postkartenkalender 2020 wird grossartig bestellen weitere kalender entdecken tolle kalender in grosser auswahl finden sie in unserem weltbild shop 15 ¹ august rabatt gratis versand

suchergebnis auf amazon de für 2020 postkartenkalender - Mar 30 2022

web suchergebnis auf amazon de für 2020 postkartenkalender zum hauptinhalt wechseln de hallo lieferadresse wählen alle wähle die kategorie aus in der du suchen möchtest suche amazon de de hallo anmelden

postkartenkalender 2020 wird großartig by grafik werkstatt das - Oct 05 2022

web postkartenkalender 2020 2020 wird großartig 2020 wird großartig jeden tag ein lächeln jeden monat eine überraschung das ganze jahr über freude dieser wundervolle kalender verschönert mit tollen motiven und ausgewählten texten blatt für blatt dein jahr tolle kalender in grosser auswahl finden sie in unserem weltbild ch online shop jetzt

2020 wird großartig postkartenkalender calendar amazon com - May 12 2023

web may 31 2019 2020 wird großartig postkartenkalender on amazon com free shipping on qualifying offers 2020 wird großartig postkartenkalender 2020 wird großartig postkartenkalender 9783862297047 amazon com books

suchergebnis auf amazon de für postkartenkalender 2020 - Feb 26 2022

web suchergebnis auf amazon de für postkartenkalender 2020 tischkalender zum hauptinhalt wechseln de hallo lieferadresse wählen alle de hallo anmelden konto und listen warenrücksendungen und bestellungen einkaufs

the south african military health service msds 2023 - Feb 08 2023

web sep 12 2023 former president donald trump s attorneys filed court papers monday that marked his first attempt to get charges against him dismissed in the georgia election

south african military health service nursing college sauni - Mar 29 2022

web and install the read more samhs pdf it is no question easy then previously currently we extend the partner to purchase and make bargains to download and install read more

read more samhs test reportandsupport gold ac - Jan 27 2022

web read more samhs as recognized adventure as well as experience very nearly lesson amusement as skillfully as covenant can be gotten by just checking out a book read

read more samhs journal universitaskartini ac id - Dec 14 2020

read more samhs pqr uiaf gov co - Sep 22 2021

web read more samhs orientation sutd edu sg keywords prescription monitoring program office of substance abuse t e i n rfdiv mil za home cfl muskie org south african

read more translation into arabic reverso context - Feb 13 2021

readmoresamhs book - Nov 12 2020

21 ways to read more wikihow - Jul 21 2021

web read more samhs april 29th 2018 military sickbay telephone nr o c street address amhu e c port elizabeth 25 6285989 33 9823559 o41 505 1203 o41 505 1208 lt col

south african military health service - Aug 14 2023

web read more samhs the battle of bangui may 22 2020 in march 2013 south africa suffered its worst military defeat since the end of apartheid after a battle that lasted

book bans i thought the challenges were hysterical then i - Apr 10 2023

web 14 hours ago but west ham have managed to hold on to one of their most important players and paquetá who has been in fine form this season will not be short of

south african military health service academic briefly - Jun 12 2023

web sep 11 2023 the american library association began collecting data on book bans more than 20 years ago last year was its most severe on record with 2 571 unique titles

premier league 10 things to look out for this weekend - Jan 07 2023

web nov 28 2022 understanding various nursing courses and colleges available in south africa is needed if you consider pursuing a career in nursing read about the steps

military hospital samhs nursing school application 2024 - May 11 2023

web sep 14 2023 eventually popal helped more than 200 players and their family members make it safely out of afghanistan where girls and women have since lost the freedom to

read more a reading tracker apps on google play - Jul 01 2022

web sep 7 2023 sen tuberville called out wokeness in the navy saying people are reading poems on aircraft carriers but the art form has been a long been a part of military

china s honor returns to the indian smartphone market - Dec 06 2022

web sep 11 2023 nbcuniversal studio group cbs studios suspend deals with producers including lorne michaels phil mcgraw amid strikes by nellie andreeva september

read more samhs pdf hipertexto - Nov 24 2021

web mar 8 2022 1 create a manageable reading goal download article setting a super high goal can feel overwhelming rather than motivating sure setting a goal to read 100

dissertations theses samhs grafiati - Apr 29 2022

web sep 11 2023 on the first day of filming lee in the french port of saint malo winslet slipped while running and injured her back i had three massive hematomas on my

read more samhs pdf - Jun 19 2021

web translation of read more in arabic you can also read more about credit cards and loans □□ □□□□□□ □□□□ □□□□ □□□□
□□□□□□□□ □□□□□□□□ □□□□□□ here you can read more about rankings and credit

how to create a read more read less button w3schools - Jan 15 2021

they shot at her they forced her from her home she won t - Mar 09 2023

web 1 day ago honor saw a in its smartphone shipments in china the largest drop among top five players to 10 3 million in q2 2023 from 13 million in the same quarter in 2022

news sheffield area middle high school - May 31 2022

web jun 26 2023 vastly relaxation you to see manual read more samhs as you such as why dont you try to get fundamental thing in the onset we settle for read more samhs and

read more samhs bundy laverdad edu ph - Mar 17 2021

web 1 readmoresamhs thank you unquestionably much for downloading readmoresamhs most likely you have knowledge that people have see numerous time for their favorite

german builders warn of crisis as they scrap record number of - Oct 24 2021

web read more samhs pdf upload caliva i grant 2 7 downloaded from voto uneal edu br on august 25 2023 by caliva i grant

help and support page 97 follow the author page

kate winslet on lee nude scenes calls out male investors - Dec 26 2021

web private bag x102 centurion 0045 corner of nossob and jochemus street erasmusrand 0181

tuberville makes fun of poetry in navy but it s a time honored - Feb 25 2022

web sep 12 2023 hit by rising interest rates soaring costs and weaker demand 20 7 per cent of construction companies said they had been forced to scrap a project in august up

read more samhs download only - Jul 13 2023

web jun 10 2020 the management of military hospital samhs nursing school has released 2024 application check for more information about military hospital samhs nursing

department of defence military health service home - Aug 22 2021

web aug 15 2023 come up with the money for read more samhs and numerous books collections from fictions to scientific research in any way in the course of them is this

nursing courses and colleges in south africa 2022 how to - Oct 04 2022

web read more technology cell phones 2022 2023 the wcsd technology department will be coming to samhs early in the school to redistribute laptops

trump files motions to dismiss charges in georgia election case - Nov 05 2022

web 2 days ago read more on the apple watch series 9 apple watch ultra 2 image credits apple in addition to the new series 9 the company this morning announced an update

apple event 2023 everything you need to know about iphone 15 - Aug 02 2022

web beracah 2 the management of the samhs nursing college wishes to inform all intended applicants that application into various programs for 2024 admission exercises is

read more samhs orientation sutd edu - May 19 2021

web var moretext document getelementbyid more var btntext document getelementbyid mybtn if dots style display none dots style display

nbcuniversal cbs studios suspend producer deals amid - Sep 03 2022

web jun 4 2021 although more than one theoretical framework was discussed the main focus was on the systems theory and ecological perspective the work environment of the oc

read book read more samhs pdf file free my uniben - Apr 17 2021

web read more samhs frequently asked questions us department of transportation may 2nd 2018 the following are some of the questions the office for drug and alcohol policy

