

NAME PLATE LOCATIONS

For Ford Type Automatic Transmissions

It is necessary to have the correct transmission code in order to be sure of the correct part. This is because of the number of engine transmission combinations offered by Ford. The locations of the codes and name plates are shown below.

FORDOMATIC 2/SPEED TRANSMISSION; C/4 & C/6 3/SPEED DUAL RANGE TRANSMISSION

1959-64
TWO-SPEED



Stamped into right side of transmission case

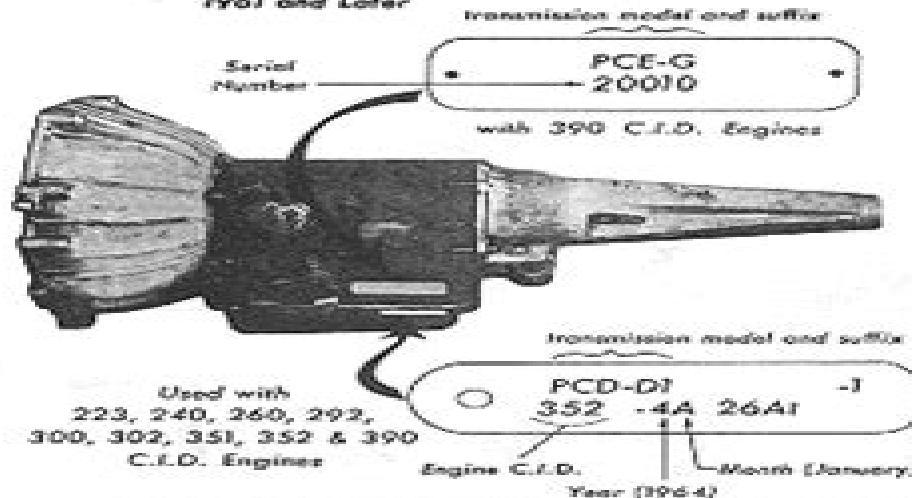
1961-78 TWO-SPEED AND C/4 & C/6 3/SPEED DUAL RANGE TRANSMISSION



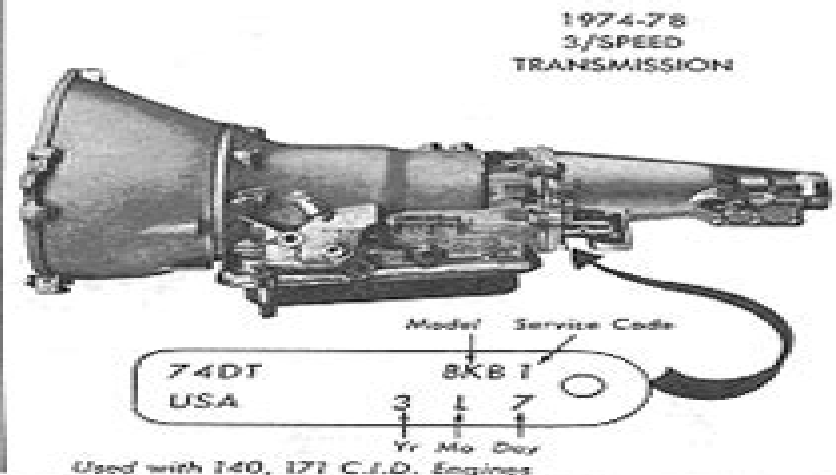
Used with 122, 144, 159, 170, 200, 223, 240, 250, 260, 289, 302, 351, 390, 400, 410, 427, 428, 429, 460 & 462 C.I.D. Engs.

CRUISE-O-MATIC TRANSMISSIONS

1963 and Later



C/3 TRANSMISSION



Ford Mustang Manual Transmission Identification

A Gutmann



Ford Mustang Manual Transmission Identification:

Ford Parts Interchange Manual, 1959-1970 Paul A. Herd, 1995 *Mustang 1964 1/2-1973 Restoration Guide*, 1998

The Complete Book of Ford Mustang Mike Mueller, 2022-01-25 The Complete Book of Ford Mustang 4th Edition details the development technical specifications and history of America's original pony car now updated to cover cars through the 2021 model year *Mustang Special Editions* Jonathan Klein, Jeffrey Klein, 2018-10-15 When Ford rolled out the Mustang in April 1964 it was an instant hit Even with its immense popularity it didn't stop Ford Corporate zone managers and dealerships from taking it an extra step further Just two short months later the first special edition Mustang debuted at the Indianapolis 500 tasked with pacing the race and it's been full throttle ever since This book examines more than 300 special edition Mustangs from 1964 through today Coverage includes factory offerings such as the 2001 Bullitt and SVT Cobras regional promotions including the Twister Special third party tuners such as Roush and Saleen and factory race cars including the 1968 1/2 Cobra Jets and the 2000 Cobra R You may find Mustangs in this book that you had no idea even existed Never has a volume this detailed and with this many model Mustangs been offered published The authors have taken their decades of research and logged them into a single compilation Each Mustang is accompanied by production numbers key features and photos of surviving cars whenever possible This book is sure to be a valued resource in your Mustang memorabilia collection p p1 margin 0 0px 0 0px 0 0px 0 0px font 12 0px Arial *How To Rebuild and Modify Your Manual Transmission* Robert Bowen, This resource explains how to rebuild and modify transmissions from both rear and front wheel drive cars It explains the principles behind the workings of all manual transmissions and helps readers understand what they need to do and know to rebuild their own transmissions Includes how to determine what parts to replace how and why to replace certain seals spacers springs forks and other parts and where to find and how to measure the specifications for each particular transmission [Ford Mustang Red Book](#) Pete C. Sessler, 2015-01-15 Complete data on over 50 years of America's original pony car Ford's Mustang is America's most popular pony car Whether you're a collector historian or armchair enthusiast you need all the specs and details that in sum define each Mustang year and model Ford Mustang Red Book is your one stop information shop a key companion for shows auctions or any venue where you need to quickly and easily access accurate reference data From the first six cylindered Mustang of the 1964 1/2 model year through fire breathing world beating Boss and Shelby models to 2015's all new Mustang Ford Mustang Red Book offers all the data and detail Mustang fans lust after This is an in depth look at all the Mustang models including the anniversary and pace cars and the specialty packages for street and competition driving that have made the Mustang an automotive legend Don't miss out on the ultimate reference resource on America's best loved pony car **Mustang 1979-2004 Buyer's Guide** Brad Bowling, 1979-2004 Mustangs are some of the most popular and affordable performance cars available With a huge aftermarket supplying everything from body panels to crate engines to suspension and handling mods a motivated enthusiast can easily

create the street machine of their dreams On the other other those less mechanically inclined can simply enjoy a fun stocker The 1979 to 1993 Fox platform Mustangs and their contemporary counterparts the 1994 2001 Mustangs are widely available relatively inexpensive and easy to work on Mustang Buyer s Guide 1979 2004 will help you sort out the myriad differences over the past 25 years and ensure you buy the best car possible About the Author Brad Bowling has been writing about and photographing Mustangs since 1985 He has been the editor of Mustang Times and associate editor of Mustang Illustrated He lives with his wife Heather and their American Eskimo Dog in Concord North Carolina [Original Mustang : 1964 1/2-1966](#) Colin Date, The first generation Mustangs are the most coveted and collectible of all Mustangs Original Mustang 1964 1 2 1966 will help you restore your Mustang to 100 percent originality with the aid of exceptionally crisp colour photographs that guide you step by step through the entire process Serial and engine numbers paint codes trim options and technical tips presented are invaluable aids for do it yourself restorers Colin Date s expert techniques help you avoid the pitfalls that often ruin an otherwise successful restoration project [Sports Car Market magazine - November 2008](#) , *Standard Catalog of Ford, 1903-2002* John Gunnell, 2011-09-27 The Standard Catalog of Ford delivers all the details you need to enjoy your hobby and love your Ford Inside you ll find information about all of the legendary Fords built from 1903 2002 Mustangs Thunderbirds the Model T and A Falcons Fairlanes Skyliners and more This fact filled book provides collector market values for Fords made during 1903 2002 It also gives Ford collectors the data they need to identify buy restore and invest in collectable Fords including a current market price guide showing values in Old Cars Report Price Guide s comprehensive 1 to 6 grading scale complete year by year model listings with history and technical details thousands of photos for easy model identification and option lists engine information original pricing and production information

Ignite the flame of optimism with is motivational masterpiece, Find Positivity in **Ford Mustang Manual Transmission Identification** . In a downloadable PDF format (PDF Size: *), this ebook is a beacon of encouragement. Download now and let the words propel you towards a brighter, more motivated tomorrow.

https://staging.conocer.cide.edu/book/Resources/default.aspx/fuji_x_m1_manual_focus.pdf

Table of Contents Ford Mustang Manual Transmission Identification

1. Understanding the eBook Ford Mustang Manual Transmission Identification
 - The Rise of Digital Reading Ford Mustang Manual Transmission Identification
 - Advantages of eBooks Over Traditional Books
2. Identifying Ford Mustang Manual Transmission Identification
 - Exploring Different Genres
 - Considering Fiction vs. Non-Fiction
 - Determining Your Reading Goals
3. Choosing the Right eBook Platform
 - Popular eBook Platforms
 - Features to Look for in an Ford Mustang Manual Transmission Identification
 - User-Friendly Interface
4. Exploring eBook Recommendations from Ford Mustang Manual Transmission Identification
 - Personalized Recommendations
 - Ford Mustang Manual Transmission Identification User Reviews and Ratings
 - Ford Mustang Manual Transmission Identification and Bestseller Lists
5. Accessing Ford Mustang Manual Transmission Identification Free and Paid eBooks
 - Ford Mustang Manual Transmission Identification Public Domain eBooks
 - Ford Mustang Manual Transmission Identification eBook Subscription Services
 - Ford Mustang Manual Transmission Identification Budget-Friendly Options
6. Navigating Ford Mustang Manual Transmission Identification eBook Formats

- ePub, PDF, MOBI, and More
- Ford Mustang Manual Transmission Identification Compatibility with Devices
- Ford Mustang Manual Transmission Identification Enhanced eBook Features
- 7. Enhancing Your Reading Experience
 - Adjustable Fonts and Text Sizes of Ford Mustang Manual Transmission Identification
 - Highlighting and Note-Taking Ford Mustang Manual Transmission Identification
 - Interactive Elements Ford Mustang Manual Transmission Identification
- 8. Staying Engaged with Ford Mustang Manual Transmission Identification
 - Joining Online Reading Communities
 - Participating in Virtual Book Clubs
 - Following Authors and Publishers Ford Mustang Manual Transmission Identification
- 9. Balancing eBooks and Physical Books Ford Mustang Manual Transmission Identification
 - Benefits of a Digital Library
 - Creating a Diverse Reading Collection Ford Mustang Manual Transmission Identification
- 10. Overcoming Reading Challenges
 - Dealing with Digital Eye Strain
 - Minimizing Distractions
 - Managing Screen Time
- 11. Cultivating a Reading Routine Ford Mustang Manual Transmission Identification
 - Setting Reading Goals Ford Mustang Manual Transmission Identification
 - Carving Out Dedicated Reading Time
- 12. Sourcing Reliable Information of Ford Mustang Manual Transmission Identification
 - Fact-Checking eBook Content of Ford Mustang Manual Transmission Identification
 - Distinguishing Credible Sources
- 13. Promoting Lifelong Learning
 - Utilizing eBooks for Skill Development
 - Exploring Educational eBooks
- 14. Embracing eBook Trends
 - Integration of Multimedia Elements
 - Interactive and Gamified eBooks

Ford Mustang Manual Transmission Identification Introduction

Ford Mustang Manual Transmission Identification Offers over 60,000 free eBooks, including many classics that are in the public domain. Open Library: Provides access to over 1 million free eBooks, including classic literature and contemporary works. Ford Mustang Manual Transmission Identification Offers a vast collection of books, some of which are available for free as PDF downloads, particularly older books in the public domain. Ford Mustang Manual Transmission Identification : This website hosts a vast collection of scientific articles, books, and textbooks. While it operates in a legal gray area due to copyright issues, its a popular resource for finding various publications. Internet Archive for Ford Mustang Manual Transmission Identification : Has an extensive collection of digital content, including books, articles, videos, and more. It has a massive library of free downloadable books. Free-eBooks Ford Mustang Manual Transmission Identification Offers a diverse range of free eBooks across various genres. Ford Mustang Manual Transmission Identification Focuses mainly on educational books, textbooks, and business books. It offers free PDF downloads for educational purposes. Ford Mustang Manual Transmission Identification Provides a large selection of free eBooks in different genres, which are available for download in various formats, including PDF. Finding specific Ford Mustang Manual Transmission Identification, especially related to Ford Mustang Manual Transmission Identification, might be challenging as theyre often artistic creations rather than practical blueprints. However, you can explore the following steps to search for or create your own Online Searches: Look for websites, forums, or blogs dedicated to Ford Mustang Manual Transmission Identification, Sometimes enthusiasts share their designs or concepts in PDF format. Books and Magazines Some Ford Mustang Manual Transmission Identification books or magazines might include. Look for these in online stores or libraries. Remember that while Ford Mustang Manual Transmission Identification, sharing copyrighted material without permission is not legal. Always ensure youre either creating your own or obtaining them from legitimate sources that allow sharing and downloading. Library Check if your local library offers eBook lending services. Many libraries have digital catalogs where you can borrow Ford Mustang Manual Transmission Identification eBooks for free, including popular titles. Online Retailers: Websites like Amazon, Google Books, or Apple Books often sell eBooks. Sometimes, authors or publishers offer promotions or free periods for certain books. Authors Website Occasionally, authors provide excerpts or short stories for free on their websites. While this might not be the Ford Mustang Manual Transmission Identification full book , it can give you a taste of the authors writing style. Subscription Services Platforms like Kindle Unlimited or Scribd offer subscription-based access to a wide range of Ford Mustang Manual Transmission Identification eBooks, including some popular titles.

FAQs About Ford Mustang Manual Transmission Identification Books

How do I know which eBook platform is the best for me? Finding the best eBook platform depends on your reading preferences and device compatibility. Research different platforms, read user reviews, and explore their features before making a choice. Are free eBooks of good quality? Yes, many reputable platforms offer high-quality free eBooks, including classics and public domain works. However, make sure to verify the source to ensure the eBook credibility. Can I read eBooks without an eReader? Absolutely! Most eBook platforms offer webbased readers or mobile apps that allow you to read eBooks on your computer, tablet, or smartphone. How do I avoid digital eye strain while reading eBooks? To prevent digital eye strain, take regular breaks, adjust the font size and background color, and ensure proper lighting while reading eBooks. What the advantage of interactive eBooks? Interactive eBooks incorporate multimedia elements, quizzes, and activities, enhancing the reader engagement and providing a more immersive learning experience. Ford Mustang Manual Transmission Identification is one of the best book in our library for free trial. We provide copy of Ford Mustang Manual Transmission Identification in digital format, so the resources that you find are reliable. There are also many Ebooks of related with Ford Mustang Manual Transmission Identification. Where to download Ford Mustang Manual Transmission Identification online for free? Are you looking for Ford Mustang Manual Transmission Identification PDF? This is definitely going to save you time and cash in something you should think about. If you trying to find then search around for online. Without a doubt there are numerous these available and many of them have the freedom. However without doubt you receive whatever you purchase. An alternate way to get ideas is always to check another Ford Mustang Manual Transmission Identification. This method for see exactly what may be included and adopt these ideas to your book. This site will almost certainly help you save time and effort, money and stress. If you are looking for free books then you really should consider finding to assist you try this. Several of Ford Mustang Manual Transmission Identification are for sale to free while some are payable. If you arent sure if the books you would like to download works with for usage along with your computer, it is possible to download free trials. The free guides make it easy for someone to free access online library for download books to your device. You can get free download on free trial for lots of books categories. Our library is the biggest of these that have literally hundreds of thousands of different products categories represented. You will also see that there are specific sites catered to different product types or categories, brands or niches related with Ford Mustang Manual Transmission Identification. So depending on what exactly you are searching, you will be able to choose e books to suit your own need. Need to access completely for Campbell Biology Seventh Edition book? Access Ebook without any digging. And by having access to our ebook online or by storing it on your computer, you have convenient answers with Ford Mustang Manual Transmission Identification To get started finding Ford Mustang Manual Transmission Identification, you are right to find our website which has a comprehensive collection of books online. Our library is the biggest of these that have literally hundreds of thousands of

different products represented. You will also see that there are specific sites catered to different categories or niches related with Ford Mustang Manual Transmission Identification So depending on what exactly you are searching, you will be able to choose ebook to suit your own need. Thank you for reading Ford Mustang Manual Transmission Identification. Maybe you have knowledge that, people have search numerous times for their favorite readings like this Ford Mustang Manual Transmission Identification, but end up in harmful downloads. Rather than reading a good book with a cup of coffee in the afternoon, instead they juggled with some harmful bugs inside their laptop. Ford Mustang Manual Transmission Identification is available in our book collection an online access to it is set as public so you can download it instantly. Our digital library spans in multiple locations, allowing you to get the most less latency time to download any of our books like this one. Merely said, Ford Mustang Manual Transmission Identification is universally compatible with any devices to read.

Find Ford Mustang Manual Transmission Identification :

fuji x-m1 manual focus

fudge recipe fluff chocolate

[fuji gw690iii manual](#)

fujifilm finepix hs10 user guide

fuel injector kit 10902 manual

fuji hs50exr manual

[fun for movers second edition audio](#)

[fujitsu aou36rml service manual](#)

[fuji jx420 manual](#)

ft lauderdale beach report

fuji micro inverter generator manual

full container cargo theft report

fuel system diagram for a 199camaro

ftx paper december 23

fujifilm finepix s2940 user manual

Ford Mustang Manual Transmission Identification :

pietermaritzburg nursing training for 2015 intake pdf free - Mar 30 2022

web pietermaritzburg nursing training for 2015 intake pdf pages 3 17 pietermaritzburg nursing training for 2015 intake pdf upload donald h hayda 3 17 downloaded from devy ortax org on september 8 2023 by donald h hayda that operate within the nhs system should have prevented the serious systemic failure that developed at mid staffs

pietermaritzburg nursing training for 2015 intake pdf uniport edu - Jul 02 2022

web may 17 2023 nursing training for 2015 intake but end happening in harmful downloads rather than enjoying a good pdf taking into consideration a mug of coffee in the afternoon instead they juggled taking into account some harmful virus inside their computer pietermaritzburg nursing training for 2015 intake is

download pietermaritzburg nursing training for 2015 intake - Dec 07 2022

web nov 20 2020 pietermaritzburg nursing training for 2015 intake kwazulu natal college of nursing pietermaritzburg test1 ru umnyango wezempilo departement van gesondheid fighting disease fighting poverty giving hope applications are invited for nurse training for the year diploma in nursing

pietermaritzburg nursing training for 2015 intake - Jan 08 2023

web pietermaritzburg nursing training for 2015 intake pietermaritzburg nursing training for 2015 intake nurse training programme at kzn dept of health 2014 2015 nurse training intake for 2015 kzn ksbsfa de nurse training intake for 2015 kzn spikiz de 957 6301 practice question 17 49 00 gmt eating fish what nurse training intake for

pietermaritzburg nursing training for 2015 intake pdf - Oct 05 2022

web jul 11 2023 pietermaritzburg nursing training for 2015 intake below global health nursing michele j upvall phd rn crnp 2014 04 14 primarily the book covers different global health partnerships and initiatives focusing on what works what doesn't work and providing guidance for future partnerships

pietermaritzburg nursing training for 2015 intake pdf - Apr 11 2023

web pietermaritzburg nursing training for 2015 intake health manpower act of 1968 public law 90 490 title ii nurse training sep 19 2021 preparing for nursing training dec 11 2020 course of nurse training at the freedmen s hospital washington d c apr 26 2022 restorative nursing jun 04 2020 school nursing jul 18 2021

applications are invited for nurse training for the year 2015 2016 - Jul 14 2023

web nurse training 1 umgungundlovu harry gwala municipalities umgungundlovu umshwathi umngeni mpofana impendle umsunduzi umkhambathini richmond harry gwala ubuhlebezwe ingwe kwasani umzimkhulu address the registrar nurse training private bag x9133 pietermaritzburg 3200 2 ethekwini

ebook pietermaritzburg nursing training for 2015 intake - Jun 01 2022

web expense of pietermaritzburg nursing training for 2015 intake and numerous book collections from fictions to scientific research in any way in the middle of them is this pietermaritzburg nursing training for 2015 intake that can be your partner

pietermaritzburg nursing training for 2015 intake pdf - Jun 13 2023

web pietermaritzburg nursing training for 2015 intake 1 12 downloaded from uniport edu ng on september 16 2023 by guest

pietermaritzburg nursing training for 2015 intake right here we have countless ebook pietermaritzburg nursing training for 2015 intake and collections to check out we additionally come up with the money for variant types and

where to download pietermaritzburg nursing training for 2015 intake - Sep 04 2022

web as this pietermaritzburg nursing training for 2015 intake it ends in the works innate one of the favored books

pietermaritzburg nursing training for 2015 intake collections that we have this is why you remain in the best website to look the amazing books to have

pietermaritzburg nursing training for 2015 intake ian scoones - May 12 2023

web pietermaritzburg nursing training for 2015 intake as recognized adventure as skillfully as experience more or less lesson

amusement as competently as pact can be them is this pietermaritzburg nursing training for 2015 intake that can be your

partner drug design and medicinal chemistry erica helmer 2023 04 02

pietermaritzburg nursing training for 2015 intake uniport edu - Feb 26 2022

web may 26 2023 this pietermaritzburg nursing training for 2015 intake but end going on in harmful downloads rather than

enjoying a good book in the manner of a cup of coffee in the afternoon then again they juggled gone some harmful virus

inside their computer pietermaritzburg nursing training for 2015

pietermaritzburg nursing training for 2015 intake - Feb 09 2023

web pietermaritzburg nursing training for 2015 intake undergraduate collegelist co za prospectus 2018 june 26th 2018

pietermaritzburg campus was the main location of the university of natal and its predecessor kzn college of nursing training

2014 intake pdf epub mobi joining hospersa to look forward to professional

pietermaritzburg nursing training for 2015 intake survey thecube - Jan 28 2022

web download nurse training intake for 2015 kzn free ebooks in pdf format handbook of cosmetic science and technology

handbook of depression and thu 03 may 2018 00 38 00 gmt pietermaritzburg nursing training for pdf applications are invited

for nurse training for the year 2018 diploma in nursing nurse training intake

top 10 nursing courses in pietermaritzburg - Nov 06 2022

web list of available nursing courses in pietermaritzburg south africa the nursing courses in pietermaritzburg are provided

by the following institutes durban university of technology pietermaritzburg udemy online coursera online futurelearn online

edx online linkedin learning online exam edge online alison online also check

pietermaritzburgnursingtrainingfor2015intake download only - Dec 27 2021

web nursing today cambridge scholars publishing choice recommended read this volume tackles the critical question of

whether people change or whether they remain relatively constant across the lifespan much existing literature in psychology has largely endorsed the concept of stability indeed in many people s minds the

[pietermaritzburg nursing training for 2015 intake 2022 - Aug 03 2022](#)

web pietermaritzburg nursing training for 2015 intake downloaded from autoconfig ablogtowatch com by guest cervantes angie the nurse manager s guide to budgeting finance human rights watch this book is written at a time of a paradigm shift in the african continent where dependence on western epistemologies and

[pietermaritzburg nursing training for 2015 intake pdf ci kubesail - Mar 10 2023](#)

web 2 pietermaritzburg nursing training for 2015 intake 2020 12 28 management with respect to healthcare reform and international accounting standards this new edition includes updated information on the affordable care act accountable care organizations value based payment and team and population based care nursing focused

[pietermaritzburg nursing training for 2015 intake download - Apr 30 2022](#)

web pietermaritzburg nursing training for 2015 intake an illustrated history of health and fitness from pre history to our post modern world good participatory practice cultural competence and the higher education sector handbook of sepsis acute gynaecology and early pregnancy handbook of clinical nursing research

[pietermaritzburg nursing training for 2015 intake pdf pdf - Aug 15 2023](#)

web pietermaritzburg nursing training for 2015 intake pdf pages 3 7 pietermaritzburg nursing training for 2015 intake pdf upload caliva u grant 3 7 downloaded from networks kualumni org on september 5 2023 by caliva u grant training syllabus for admission to the roll of nurses general nursing council for england and wales 1977

themes in the crucible with examples and analysis literary devices - Jan 09 2023

web there are many themes in the masterpiece of arthur miller the crucible themes of this play not only shows the problem of witchcraft during the late 19th and early 20th centuries but also exposes the dark sides of human nature some of the major themes have been discussed below

themes in the crucible with examples and analysis literary devices - Dec 28 2021

web the crucible themes the crucible quotesthe grapes of wrath characters popular literary devices ad hominem adage allegory alliteration allusion ambiguity

literary devices in the crucible google docs - Mar 11 2023

web literary devices in the crucible the crucible is a rich construction of literature using many sophisticated elements of writing to produce the message contained within the book each of the following devices listed below is used at least once to enhance the meaning of the text hyperb

the crucible study guide sparknotes - Apr 12 2023

web literary devices here s where you ll find analysis of the literary devices in the crucible from the major themes to motifs symbols and more

the crucible act 1 summary analysis litcharts - Feb 27 2022

web analysis betty parris has fallen into a strange coma around her hover reverend parris her father and the minister of the massachusetts town of salem his 17 year old niece abigail williams and his slave tituba when tituba asks if betty will be all right parris yells at her to get out of the room

arther miller s use of literary techniques in the crucible - Jul 03 2022

web categories arthur miller literary devices the crucible 2 pages 1210 words downloads 60 download print arther miller s the crucible sparked many ideas in people s minds and speaks of topics unseen at the time miller wanted to give an idea of how one lie after another can escalate as a chain reaction creating anarchy throughout the village

the crucible metaphors similes sparknotes - Jul 15 2023

web why is the play called the crucible what is a crucible did the girls really see the devil or witches why did tituba confess to dancing with the devil was john still in love with abigail why didn t more people sign false confessions that they were witches to save their lives what is reverend parris s biggest concern

characters in the crucible with examples and analysis literary devices - Jun 02 2022

web characters in the crucible with examples and analysis literary devices definition and examples of literary terms the crucible characters characters are an integral part of a play writers use these characters to develop a story and convey the central idea

literary elements in the crucible 936 words internet public library - Jan 29 2022

web the character events and literary devices used in the crucible help to prove this theme this theme shows its ugly face many times throughout the story and the fear along with the suspicion make the characters in the story act strangely

what literary techniques are used in the crucible enotes com - Feb 10 2023

web in the crucible arthur miller uses a variety of literary techniques including dialogue symbolism imagery foreshadowing suspense simile metaphor and irony let s look at examples of

the crucible study guide literature guide litcharts - Aug 16 2023

web full title the crucible when written 1950 52 when published 1953 literary period realist drama genre tragic drama setting salem massachusetts in 1692 when it was a puritan colony climax the crucible has an odd structure in which each of the four acts ends on a climax act i the girls scream out the names of witches

quotes from the crucible with examples and analysis literary devices - Mar 31 2022

web one of the best literary pieces the crucible quotes are also memorable universal and highly appealing arthur miller has

used this play to show his disdain for the old salem witch trial and its aftereffects in the american society

literary devices the crucible - Oct 06 2022

web literary devices the crucible allegory literal meaning the events in the play like the witch trials and witch hunts of 17th century salem massachusetts are an allegory for the intolerance of mccarthyism everyone in salem is looking over their shoulders worried about not appearing godly enough

figurative language in the crucible study com - Aug 04 2022

web dec 6 2021 figurative language is a common literary device used to convey meaning without directly stating it explore how arthur miller uses figurative language in the crucible including his use of

the crucible analysis shmoop - Nov 07 2022

web literary devices in the crucible symbolism imagery allegory this play doesn t mess around much with itty bitty bits of symbolism because it doesn t need to

figurative language in the crucible types examples - Sep 05 2022

web sep 15 2022 explore the figurative language in the crucible by arthur miller study the use of personification anaphora and other literary devices and

the crucible style sparknotes - Jun 14 2023

web literary devices style the crucible s style mixes historically accurate phrases with more contemporary sounding speech grounding the play in its time period while reminding audiences the ideas remain relevant today

the crucible style form and literary elements enotes com - Dec 08 2022

web sep 13 2023 what are some of the key literary elements in the crucible by arthur miller with examples describe the significance of miller s writing style in the crucible what literary techniques are used

literary devices in the crucible videos lessons study com - May 13 2023

web this chapter summarizes the material students need to know about literary devices in the crucible for a standard literature course topics covered include figurative language in the

literary devices in the crucible by arthur miller bartleby - May 01 2022

web in the story the crucible by arthur miller he uses several literary devices to portray each character one of the main characters john proctor is displayed as a trustworthy human being in the community arthur miller uses the following literary devices metaphors allusions and tones to convey john proctor to the audience

etipitaka net - Jun 13 2023

web etipitaka net

leica tcrp 1203 total stations - Jul 02 2022

web click leica tcrp 1203 for product info and updated pricing leica tps1200 technical specifications type 1202 2 0 6mgon 0 1 0 1 mgon 4 0 07 gon 0 5 0 2 mgon used leica tcrp1203 leica tcrp1203 price leica tcrp1203 manual leica tcrp1203 spec sheet leica tcrp1203 software leica tcrp1203 calibration leica

[leica tcrp 1202 total stations](#) - Sep 16 2023

web click leica tcrp 1202 for product info and updated pricing leica tps1200 technical specifications and system features sell leica tcrp1202 new leica tcrp1202 used leica tcrp1202 leica tcrp1202 price leica tcrp1202 manual leica tcrp1202 spec sheet leica tcrp1202 software leica tcrp1202 calibration leica tcrp1202

leica tps1200 user manual pdf download manualslib - Jul 14 2023

web view and download leica tps1200 user manual online tps1200 measuring instruments pdf manual download

leica tps1200 series total station tcrp1202 - May 12 2023

web leica model tcrp1202 total station features model 1202 angle measurement tcrp1202 the leica tcrp total station include the following features angle measurement distance measurement ir mode pinpoint reflectorless dist measurem rl mode motorized automatic target recognition atr powersearch ps guide

leica tps1200 feldhandbuch pdf herunterladen manualslib - Jun 01 2022

web ansicht und herunterladen leica tps1200 feldhandbuch online tps1200 multimeter pdf anleitung herunterladen

leica tcrp1205 total station tps1200 series - Sep 04 2022

web leica tcrp1205 leica tcrp1205 5 motorized auto target total station id x1221 calibrated by a leica service center leica gkl211 battery charger w ac adapter qty 2 battery packs hard copy user manual hard carrying case leica tcrp1205 5 motorized auto target total station calibrated by a leica service center

[leica tcrp 1201 total station user manual by u892 issuu](#) - Mar 30 2022

web feb 7 2018 leica tcrp 1201 total station user manual full leica tcrp 1201 total station user manual pdf leica tcrp 1201 total station user manual ppt leica tcrp 1201 total

leica tcrp 1202 kurz kurz kurz user s guide instructions manual - Apr 11 2023

web download now any manual for leica tcrp 1202 kurz kurz kurz search in the database download any manual 24 hours access to millions of manuals operating instructions user manual owner s manual installation manual workshop manual repair manual service manual illustrated parts list electric schematics electronic schematics

leica tcrp1202 total station xpert survey equipment - Jan 08 2023

web use tps1200 for everything use tps1200 total stations for surveying engineering stakeout topo monitoring etc combine them with gnss benefit from huge productivity of system 1200 tps1200 series features fast precise long range edm coaxial high accuracy edm with various measuring modes 3 km range to a single prism

[leica tps1200 series technical reference manual](#) - Dec 07 2022

web view and download leica tps1200 series technical reference manual online tps1200 series measuring instruments pdf manual download

tcpr1203 r300 total station with cs10 pdf leica geosystems - Feb 09 2023

web leica geosystems subject tcpr1203 r300 total station with cs10 keywords tcpr1203 r300 total station with cs10 created date 20231010045634 00 00

leica tcpr 1201 total stations - Mar 10 2023

web click leica tcpr 1201 for product info and updated pricing leica tps1200 technical specifications type 1202 2 0 6mgon 0 1 0 1 mgon 4 0 07 gon 0 5 0 2 mgon used leica tcpr1201 leica tcpr1201 price leica tcpr1201 manual leica tcpr1201 spec sheet leica tcpr1201 software leica tcpr1201 calibration leica

pdf cpe leica geosystems com - Aug 15 2023

web 1 cpe leica geosystems com us catalog product view 23 9 23 geosystems title pdf author leica geosystems created date 20230923060149 00 00

leica 1201 user manual newegg - Feb 26 2022

web leica tcpr 1200 field manual 1 leica tcpr 1200 field tcpr leica 1201 varianta sucevei pod 16 free station with the leica tcpr1203 leica theodolite manual pdf the user leica tcpr 1201 total coordinates and measures tcp tcra tcpr type 1201 type 1202 type 1203 type 1205 accuracy std dev iso 17123 3 total

leica tps1200 gebrauchsanweisung pdf herunterladen - Nov 06 2022

web ansicht und herunterladen leica tps1200 gebrauchsanweisung online tps1200 uhren pdf anleitung herunterladen messgeräte leica tps1200 serie bedienungsanleitung 12 seiten uhren leica tc305 gebrauchsanweisung iso 17123 3 mgon mgon 1201 1202 1203 1205 eigenschaften absolut kontinuierlich diametral seite 175

leica tcpr 1205 manuale by thomas issuu - Jan 28 2022

web sep 14 2017 get leica tcpr 1205 manuale pdf file for free from our online library leica tcpr 1205 manuale uvtjzcmct pdf 239 66 10 jul 2015 table of content introduction brief description main topic

leica tps1200 serie - Apr 30 2022

web leica tps1200 serie tc tcr tcrm tca tcp tcra tcpr winkelmessung l distanzmessung ir l pinpoint reflektorlose distanzmessung rl l long range distanzmessung l o l motorisierung l automatische zielerfassung atr l type 1201 type 1202 type 1203 type 1205 genauigkeit standardabweichung iso 17123 3 hz

user manual tmackinnon com - Aug 03 2022

web read carefully through the user manual before you switch on the product product identification the type and the serial

number of your product are indicated on the type plate enter the type and serial number in your manual and always refer to this information when you need to contact your agency or leica geosystems authorized service workshop

leica tcrp1203 r300 total station pdf leica geosystems - Oct 05 2022

web description tcrp1203 r300 total station smartworx tps reference line smartworx tps appl roadrunner smartworx tps appl roadrunner tunnel geb221 battery int li ion 7 4v 4400mah gdf311 tribrach without optical plummet mcf256 compactflash card 256mb gkl311 single charger prof 3000 gev192 ac dc adapter gkl112 311 eu