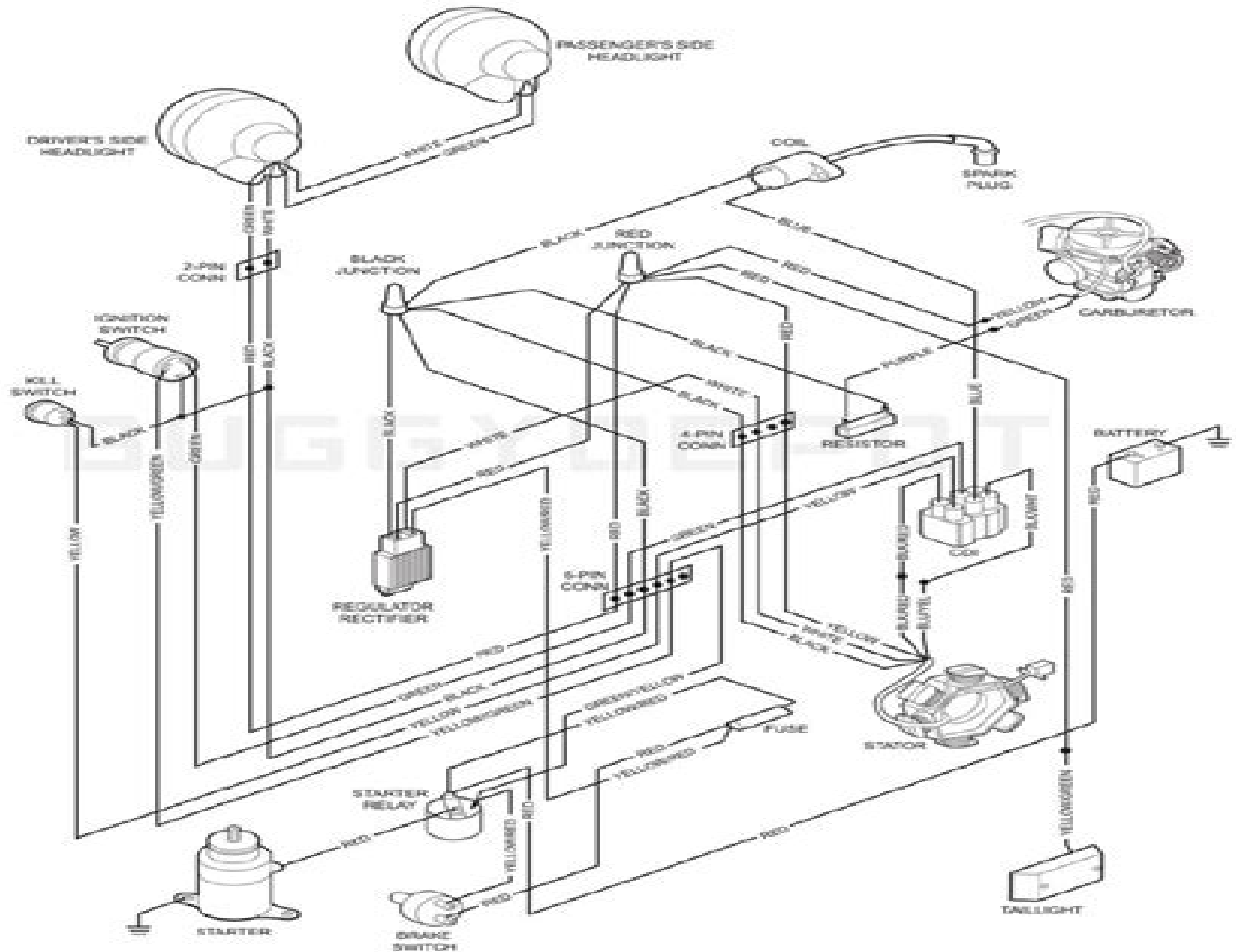


27. ELECTRICAL SCHEMATIC



Howhit Engine Manual

S Baum



Howhit Engine Manual:

Getting the books **Howhit Engine Manual** now is not type of challenging means. You could not on your own going taking into consideration books increase or library or borrowing from your contacts to contact them. This is an enormously simple means to specifically acquire guide by on-line. This online message Howhit Engine Manual can be one of the options to accompany you in imitation of having other time.

It will not waste your time. admit me, the e-book will totally tell you new thing to read. Just invest little grow old to admittance this on-line pronouncement **Howhit Engine Manual** as with ease as review them wherever you are now.

<https://staging.conocer.cide.edu/results/scholarship/fetch.php/Life%20Science%20Exam%20Paper%20Memorandum%20For%202014%20Term%201%20Grade%201.pdf>

Table of Contents Howhit Engine Manual

1. Understanding the eBook Howhit Engine Manual
 - The Rise of Digital Reading Howhit Engine Manual
 - Advantages of eBooks Over Traditional Books
2. Identifying Howhit Engine Manual
 - Exploring Different Genres
 - Considering Fiction vs. Non-Fiction
 - Determining Your Reading Goals
3. Choosing the Right eBook Platform
 - Popular eBook Platforms
 - Features to Look for in an Howhit Engine Manual
 - User-Friendly Interface
4. Exploring eBook Recommendations from Howhit Engine Manual
 - Personalized Recommendations
 - Howhit Engine Manual User Reviews and Ratings
 - Howhit Engine Manual and Bestseller Lists

5. Accessing Howhit Engine Manual Free and Paid eBooks
 - Howhit Engine Manual Public Domain eBooks
 - Howhit Engine Manual eBook Subscription Services
 - Howhit Engine Manual Budget-Friendly Options
6. Navigating Howhit Engine Manual eBook Formats
 - ePub, PDF, MOBI, and More
 - Howhit Engine Manual Compatibility with Devices
 - Howhit Engine Manual Enhanced eBook Features
7. Enhancing Your Reading Experience
 - Adjustable Fonts and Text Sizes of Howhit Engine Manual
 - Highlighting and Note-Taking Howhit Engine Manual
 - Interactive Elements Howhit Engine Manual
8. Staying Engaged with Howhit Engine Manual
 - Joining Online Reading Communities
 - Participating in Virtual Book Clubs
 - Following Authors and Publishers Howhit Engine Manual
9. Balancing eBooks and Physical Books Howhit Engine Manual
 - Benefits of a Digital Library
 - Creating a Diverse Reading Collection Howhit Engine Manual
10. Overcoming Reading Challenges
 - Dealing with Digital Eye Strain
 - Minimizing Distractions
 - Managing Screen Time
11. Cultivating a Reading Routine Howhit Engine Manual
 - Setting Reading Goals Howhit Engine Manual
 - Carving Out Dedicated Reading Time
12. Sourcing Reliable Information of Howhit Engine Manual
 - Fact-Checking eBook Content of Howhit Engine Manual
 - Distinguishing Credible Sources
13. Promoting Lifelong Learning

- Utilizing eBooks for Skill Development
 - Exploring Educational eBooks
14. Embracing eBook Trends
- Integration of Multimedia Elements
 - Interactive and Gamified eBooks

Howhit Engine Manual Introduction

In this digital age, the convenience of accessing information at our fingertips has become a necessity. Whether its research papers, eBooks, or user manuals, PDF files have become the preferred format for sharing and reading documents. However, the cost associated with purchasing PDF files can sometimes be a barrier for many individuals and organizations. Thankfully, there are numerous websites and platforms that allow users to download free PDF files legally. In this article, we will explore some of the best platforms to download free PDFs. One of the most popular platforms to download free PDF files is Project Gutenberg. This online library offers over 60,000 free eBooks that are in the public domain. From classic literature to historical documents, Project Gutenberg provides a wide range of PDF files that can be downloaded and enjoyed on various devices. The website is user-friendly and allows users to search for specific titles or browse through different categories. Another reliable platform for downloading Howhit Engine Manual free PDF files is Open Library. With its vast collection of over 1 million eBooks, Open Library has something for every reader. The website offers a seamless experience by providing options to borrow or download PDF files. Users simply need to create a free account to access this treasure trove of knowledge. Open Library also allows users to contribute by uploading and sharing their own PDF files, making it a collaborative platform for book enthusiasts. For those interested in academic resources, there are websites dedicated to providing free PDFs of research papers and scientific articles. One such website is Academia.edu, which allows researchers and scholars to share their work with a global audience. Users can download PDF files of research papers, theses, and dissertations covering a wide range of subjects. Academia.edu also provides a platform for discussions and networking within the academic community. When it comes to downloading Howhit Engine Manual free PDF files of magazines, brochures, and catalogs, Issuu is a popular choice. This digital publishing platform hosts a vast collection of publications from around the world. Users can search for specific titles or explore various categories and genres. Issuu offers a seamless reading experience with its user-friendly interface and allows users to download PDF files for offline reading. Apart from dedicated platforms, search engines also play a crucial role in finding free PDF files. Google, for instance, has an advanced search feature that allows users to filter results by file type. By specifying the file type as "PDF," users can find websites that offer free PDF downloads on a specific topic. While downloading Howhit Engine Manual free PDF files is convenient, its important

to note that copyright laws must be respected. Always ensure that the PDF files you download are legally available for free. Many authors and publishers voluntarily provide free PDF versions of their work, but its essential to be cautious and verify the authenticity of the source before downloading Howhit Engine Manual. In conclusion, the internet offers numerous platforms and websites that allow users to download free PDF files legally. Whether its classic literature, research papers, or magazines, there is something for everyone. The platforms mentioned in this article, such as Project Gutenberg, Open Library, Academia.edu, and Issuu, provide access to a vast collection of PDF files. However, users should always be cautious and verify the legality of the source before downloading Howhit Engine Manual any PDF files. With these platforms, the world of PDF downloads is just a click away.

FAQs About Howhit Engine Manual Books

How do I know which eBook platform is the best for me? Finding the best eBook platform depends on your reading preferences and device compatibility. Research different platforms, read user reviews, and explore their features before making a choice. Are free eBooks of good quality? Yes, many reputable platforms offer high-quality free eBooks, including classics and public domain works. However, make sure to verify the source to ensure the eBook credibility. Can I read eBooks without an eReader? Absolutely! Most eBook platforms offer web-based readers or mobile apps that allow you to read eBooks on your computer, tablet, or smartphone. How do I avoid digital eye strain while reading eBooks? To prevent digital eye strain, take regular breaks, adjust the font size and background color, and ensure proper lighting while reading eBooks. What the advantage of interactive eBooks? Interactive eBooks incorporate multimedia elements, quizzes, and activities, enhancing the reader engagement and providing a more immersive learning experience. Howhit Engine Manual is one of the best book in our library for free trial. We provide copy of Howhit Engine Manual in digital format, so the resources that you find are reliable. There are also many Ebooks of related with Howhit Engine Manual. Where to download Howhit Engine Manual online for free? Are you looking for Howhit Engine Manual PDF? This is definitely going to save you time and cash in something you should think about.

Find Howhit Engine Manual :

life science exam paper memorandum for 2014 term 1 grade 10

[life science grade 10 p1 november 2013 memo](#)

life science question paper final examination 2014 caps

life science exemplar 2014 paper 1 november

life science for grade 10 kontrol papers for march 2014

life science paper 2 term 4 2014 grade 11

life science scope nov 2014 exam

life science memoradum paper 1 grade11 december 2014

life science paper 2

life science grade 10 practical term 4 2014

life science paper 1 november 2014

life science march 2014 papers

life science paper exemplar 21

life science grade question paper march 24

life science caps grade 11 examplar term 4

Howhit Engine Manual :

exit hesi version 2 2014 pdf cie advances asme - May 04 2022

web exit hesi version 2 2014 exit hesi version 2 2014 4 downloaded from cie advances asme org on 2020 01 16 by guest your review each practice question includes a test taking strategy and rationales for both correct and incorrect answers written by nclex experts linda silvestri and angela

exit hesi version 2 2014 pdf cie advances asme - Jun 05 2022

web exit hesi version 2 2014 statistics for nursing research e book susan k grove 2019 09 19 learn how to expand your interpretation and application of statistical methods used in nursing and health sciences research articles with statistics for nursing research a workbook for evidence based practice 3rd edition perfect for

hesi exit exam flashcards and study sets quizlet - Apr 15 2023

web 13 studiers today hesi exit exam 160 terms 4 7 11 raynimichele hesi exit exam 303 terms timika87 17 studiers today hesi comprehensive exit exam 132 terms 4 6 5 dchandle73 19 studiers today hesi exit 60 terms 4 6 9 veronagomez learn hesi exit exam with free interactive flashcards

hesi rn exit 2013 and 2014 2023 stage gapinc - Oct 09 2022

web hesi rn exit 2013 and 2014 downloaded from stage gapinc com by guest marissa goodman hesi saunders online review for the nclex rn examination 1 year user guide and access code registerednursern com understand the statistical methods used in nursing research articles statistics for nursing research a workbook for evidence

exit hesi 2014 test bank sample pdf optimize i95dev - Apr 03 2022

web exit hesi 2014 test bank sample nclex pn prep plus kaplan nursing 2020 03 03 the nclex pn exam is not just about what you know it s about how you think kaplan s nclex pn prep plus uses expert critical thinking strategies and targeted sample questions to help you put your expertise into practice apply the knowledge you ve gained in

exam hesi exit flashcards and study sets quizlet - Mar 14 2023

web learn exam hesi exit with free interactive flashcards choose from 500 different sets of exam hesi exit flashcards on quizlet

hesi exit v1 notes after exam 6 30 2014 course hero - Sep 20 2023

web jun 30 2014 1 hesi exit v1 notes after exam 6 30 2014 1 patient safety mental health pt was aggressive give haldol im 2 uap 1st day do initial assessment with rn 3 rn forgot glasses at home lives 1 hr away send home to get glasses and return back to work 4 rocephin teaching monitor hearing 5

hesi exit 2014 hesi exit nurs 3275 csu studocu - Oct 21 2023

web hesi exit hesi version note bolded answer is what selected during the actual exam not necessarily the correct answers before leaving the room of confused skip to document ask ai

study exit hesi v1 2014 docx course hero - Jul 18 2023

web view study exit hesi v1 2014 docx from nursing 101 at broward college exit hesi v1 2014 1 2 3 4 5 6 7 8 45 ml oz osas battles sign pagets pylorotomy liberal fluid intake clergy

hesi exit 2014 version 3 latest updated and - May 16 2023

web jul 14 2022 hesi exit 2014 version 3 latest updated and verified 100 correct 100 money back guarantee immediately available after payment both online and in pdf no strings attached previously searched by you

exit hesi 2014 test bank 2023 cie advances asme - Nov 10 2022

web written in an easy to read outline format hesi comprehensive review for the nclex pn examination 6th edition prepares you for success on both the hesi exit exam and the nclex pn

hesi exit exam 2014 v3 eagldemo2 eagltechnology com - Aug 07 2022

web hesi comprehensive review for the nclex pn examination e book hesi exit exam 2014 v3 downloaded from eagldemo2 eagltechnology com by guest benitez kaleigh mosby s review cards for the nclex rn examination sigma theta tau the nurse educator s guide to assessing learning outcomes third edition is a widely used

hesi pn exit exam test bank 2014 2023 - Jul 06 2022

web this study guide to the hesi exit exam and the nclex pn professional exam includes critical thinking study questions pharmacology tables hesi hint boxes and fill in the blank questions to prepare for the alternative item formats in the nclex pn

hesi comprehensive review for the nclex rn examination may 31 2023

passed the exit rn hesi with 934 allnurses - Dec 11 2022

web mar 31 2014 apr 4 2014 congratulations i m studying for my hesi exit now i just wanted to know what did you use to study for the hesi exit well i been doing questions a lot on the saunders application mostly med surge questions i also been using this

hesi exit exam 4 docmerit - Mar 02 2022

web hesi exit exam 4 hesi exit exam 4 hesi exit exam 4 hesi exit exam 4 hesi exit exam 4 hesi exit exam 4 0 shopping cart 0 item 0 00 checkout

hesi exit 2014 version 3 hesi exit stuvia us - Aug 19 2023

web sep 25 2023 level of 8 mcg ml is placed on seizure precautions c sensitivity to aspirin acetylsalicylic acid is prescribed tylenol acetaminophen d sensitivity to penicillin is prescribed zithromax azithromycin 2 the nurse should intervene if the nurse notes a staff member a obtaining a clients consent prior to their operative procedure after receiving

hesi elsevier student life - Jan 12 2023

web the hesi exit exam is the ultimate practice exam to see if you re ready for the real deal with question formats and exam blueprints that mirror actual credentialing exams our exit exams measure your readiness for board exams and can reliably assess your chances of

2013 2014 exit hesi study guide doc course hero - Jun 17 2023

web hesi exit exam study guide solutions available university of alaska anchorage ns a335 test prep brandi s hesi review docx solutions available concorde career colleges hesi 101 exit hesi v4 docx solutions available broward college trending in nur 411 2021 hesi exitrnexamv1v7 63h6gx docx solutions available

hesi psychiatric mental health exit exam questions and answers 2023 2014 - Sep 08 2022

web aug 8 2023 hesi psychiatric mental health exit exam questions and answers 2023 2014 document content and description below hesi psychiatric mental health exit exam questions and answers 2023 2014 questions 1 a male client with schizophrenia who is taking fluphenazine decanoate prolixin decanoate is being discharged show

hesi exit exam 2014 test bank download only web mei - Feb 13 2023

web the following scores demonstrate how the hesi exit exam scores correlate to probability of passing the nclex 950 outstanding probability of passing nclex 900 940 excellent probability of passing nclex 850 899 average probability of passing nclex 800 849 below average probability of passing nclex 750 799

kenworth besttruckpdfmanuals - May 01 2022

web kenworth truck pdf service manuals free download electric wiring diagrams fault codes dtc kenworth trucks history

kenworth besttruckpdfmanuals free service manuals pdf spare parts catalogues electric wiring diagrams and fault codes dtc for truck forklift crane truck

[flash code retrieval youtube](#) - Jan 29 2022

web nov 25 2015 flash code retrieval etc llc 1 43k subscribers subscribe subscribed 110 share 71k views 7 years ago how to get the flash codes on a 2005 kenworth

[kenworth fault codes list truckmanualshub com](#) - Jul 15 2023

web oct 22 2018 sensor 3215 powertrain exhaust functions aftertreatment ecu power 3216 powertrain exhaust functions aftertreatment fuel injector 3217 powertrain exhaust functions aftertreatment fuel solenoid 3218 powertrain exhaust functions aftertreatment air solenoid 3219 powertrain exhaust functions aftertreatment fuel

diagnostic scanner fault code reader for kenworth truck - Oct 06 2022

web the kenworth diagnostic scanner enables you to read and erase the fault codes that relate to the check engine light on your truck as well as read vital live engine data it works on all kenworth trucks listed in the drop down box below choose your kenworth truck year and model from the drop down list just below 189 99 free delivery in the usa

[kenworth abs diagnosis and wheel speed sensor replacement](#) - Mar 31 2022

web jul 24 2020 a quick video explaining abs wheel speed sensor faults my truck is a 2018 kenworth w900b but other models may be similar after replacing the sensor it may be necessary to drive the truck for

fault code reference truckfaults fault code diagnostic source - May 13 2023

web fault code description fmi faults abs mid 136 sid 1 abs wheel speed sensor steer axle l 1 data valid but high 0 mid 136 sid 2 abs wheel speed sensor steer axle r 1 date valid but low 1 mid 136 sid 3 abs wheel speed sensor drive front l 2 data erratic 2 mid 136 sid 4 abs wheel speed sensor drive front r 2

[kenworth diagnostic trouble codes truck pdf](#) - Aug 16 2023

web bobcat fault codes fault codes t40140 t40180 case case error codes case steiger error codes caterpillar error codes cid cessna challenger challenger dtc claas clark clark fault code crown crown fault code cummins cummins error codes daewoo daewoo forklift daewoo fault codes daf dashboard icons 95xf ras ec

insite fault information system fis cummins - Mar 11 2023

web fault information system fis is a downloadable version of the fault code troubleshooting manual it provides information about fault codes procedure numbers to perform repairs and step by step troubleshooting on the engine

kenworth t270 t370 service operator s and maintenance - Jan 09 2023

web sep 26 2022 kenworth t270 t370 owner s operators service and maintenance manuals error codes list dtc spare parts manuals catalogues wiring diagrams schematics free download pdf see also kenworth c500 operator s and maintenance

manuals pdf kenworth fault codes list kenworth t270 manuals

[2016 kenworth t680 technical service bulletins obd codes com](#) - Aug 04 2022

web summary fix as fail a u1548 fault code is present in the davie log file with no fault lamp illuminated or other obvious symptoms communication number 34 060 date 2017 09 28 category 118500 electrical system

30 kenworth service repair manuals pdf free download truckmanualshub - Dec 08 2022

web oct 11 2018 kenworth smartwheel km816010 troubleshooting manual pdf 662 4kb download kenworth specialty products 2010 heavy duty catalog pdf 2 1mb download kenworth super cushion air springs replacement parts catalog pdf 63 8mb download kenworth t4 t6 t9 conventional models wiring diagrams pdf 2 9mb download

kenworth codes troublecodes net - Jun 14 2023

web kenworth codes trouble code fault location p1000 p1099 fuel and air metering and auxiliary emission control p101c bpv position fault while engine is in scr heating mode p101d bpv position fault while engine is not in scr heating mode p101e bpv can sensor has permanent governor deviation p101f bpv can sensor overload p1020

technical information bulletin national highway traffic safety - Jun 02 2022

web kenworth offers additional troubleshooting steps via supportlink for fault codes p3818 p3830 p3997 p3928 and p3914 for all paccar mx 13 epa 2013 engines the procedures below should only be followed for repeat scr fault codes see the procedure section below warranty

kenworth t680 transmission fault codes and common - Dec 28 2021

web dec 20 2022 fault codes in a truck such as the kenworth t680 indicate specific problems within the vehicle s systems from issues with the transmission to engine performance these fault codes provide critical insight into

[kenworth trucktech](#) - Feb 27 2022

web fault guidance and diagnostics the first time detailed reports are readily available on each truck currently presenting an actionable code you can filter the information by specific chassis severity make model year it was manufactured and location when an engine fault code is triggered trucktech remote

kenworth service maintenance and owner s manuals pdf free - Apr 12 2023

web category archives kenworth service manuals spare parts catalog electrical wiring diagrams and fault codes for such trucks as kenworth t120 t270 t370 t440 t470 t680 t800 t880 w800 kenworth t880 service operator s and

truck kenworth k200 diagnostics jaltest - Feb 10 2023

web manual process fault code reading measure values components actuation ecu data parameters calibration reset system technical data wiring diagram vehicle technical data vehicle maintenance diagnostics function with help available k200 are you interested in jaltest diagnostics

diagnostic scanner fault code reader for kenworth truck - Jul 03 2022

web the kenworth diagnostic scanner enables you to read and erase the fault codes that relate to the check engine light on your truck it works on all kenworth trucks listed in the drop down box above with the code reader you can quickly find out trouble causes troub

kenworth t880 service operator s and maintenance manuals pdf - Nov 07 2022

web sep 27 2022 kenworth t880 owner s operators service and maintenance manuals error codes list dtc spare parts manuals catalogues wiring diagrams schematics free download pdf see also kenworth fault codes list

2019 kenworth t880 technical service bulletins obd codes com - Sep 05 2022

web communication number 01 075 date 2019 11 06 category 060000 engine and engine cooling summary information only this bulletin provides guidance for repairing an air conditioning system after internal failure of the a c compressor communication number tib43 062 date 2019 09 27

infection prevention and control week quiz questions - Jan 05 2023

web infection prevention and control week quiz questions this quiz is an activity that may be used during infection prevention and control week downloads infection

universal precautions infection control quiz feinberg school - Apr 08 2023

web 2 after reading the materials take the quiz found on the last page 3 print your name clearly at the top sign the quiz at the bottom 4 mail in the quiz only with your

chapter 14 infection prevention and control online resources - Feb 06 2023

web 1 which of the following is not a sign of systemic infection fever aching and weakness redness and swelling nausea and vomiting 2 good infection prevention and control

hand hygiene and infection control 2021 free quiz high - Mar 27 2022

web multiple choice questions are perhaps the easiest to complete you simply put a cross in a box however the questions often have two answers that could at first glance be

test your knowledge about infection control and prevention - Jul 11 2023

web test your knowledge about infection control and prevention this is a quiz to help you to learn about important facts related to antimicrobial surveillance be sure to share your

cna infection control free practice test 2023 top nurse - Mar 07 2023

web this blog post provides an online practice test in 20 multiple choice questions within 20 minutes with explanations of the correct answer following each question the answers

infection control test flashcards quizlet - Oct 02 2022

web infection control quiz questions flashcards quizlet 5 0 3 reviews what is the most effective procedure for preventing infection click the card to flip routine hand

infection control quiz multiple choice proprofs quiz - Dec 24 2021

web 750 000 of these infections result in death magill et al 2014 astounding isn t it and these numbers don t account for infections acquired in other healthcare settings

question australian commission on safety and quality in - Dec 04 2022

web infection prevention and control week qu iz questions and answers the c orrect answers are in bold there may be more than one correct answer infection

infection prevention and control week quiz questions and - May 09 2023

web this ipc quiz with questions and the correct answers is an activity that may be used as part of infection prevention and control week 2023 15 to 21 october

infection control practice questions flashcards quizlet - Jun 10 2023

web infection control practice questions flashcards quizlet 3 8 5 reviews what are the 6 components of the infectious cycle click the card to flip infectious agent reservoir

quiz do you know your infection control procedures ddc - Jul 31 2022

web study with quizlet and memorize flashcards containing terms like infectious agent reservoir portal of exit and more try magic notes and save time try it free

multiple choice questions infection prevention and control - Aug 12 2023

web multiple choice questions infection prevention and control practices want to create or adapt books like this learn more about how pressbooks supports open publishing

sample exam questions infection and response aqa - Feb 23 2022

web infection control quiz questions a free online question and answers quiz on infection control in the workplace to test your knowledge

infection control quizzes questions answers proprofs - Sep 13 2023

web sep 11 2023 take this quiz and choose right answer for all these questions on precaution of infection control questions 17 attempts 7023 last updated mar 21 2023

quiz worksheet principles of infection control study com - May 29 2022

web oct 3 2023 safety and infection control nursing test banks for this nursing test bank we have included 75 nclex practice questions related to the safety and infection

safety and infection control nclex practice quiz 75 questions - Apr 27 2022

web june 16 2020 5 min read test your hand hygiene and infection control knowledge good infection control and hand hygiene are important even in the best of times it

infection control quiz questions flashcards quizlet - Sep 01 2022

web quiz do you know your infection control procedures your infection control procedures are pivotal to the safety of your patients and service users as well as

infection control flashcards quizlet - Jun 29 2022

web using the worksheet and quiz you can gauge your knowledge of the basic principles of infection control different microorganisms are topics you ll see on the quiz quiz

quiz worksheet universal precautions in - Nov 03 2022

web a strip placed inside the package that changes when exposed to high temperature study with quizlet and memorize flashcards containing terms like diseases that are caused by

infection control the basics relias - Nov 22 2021

infection control quiz questions a free online quiz - Jan 25 2022

web mar 21 2023 in the scope room in the cabinet to the left above the sinks correct answer c infection control manual explanation the correct answer is the infection control