

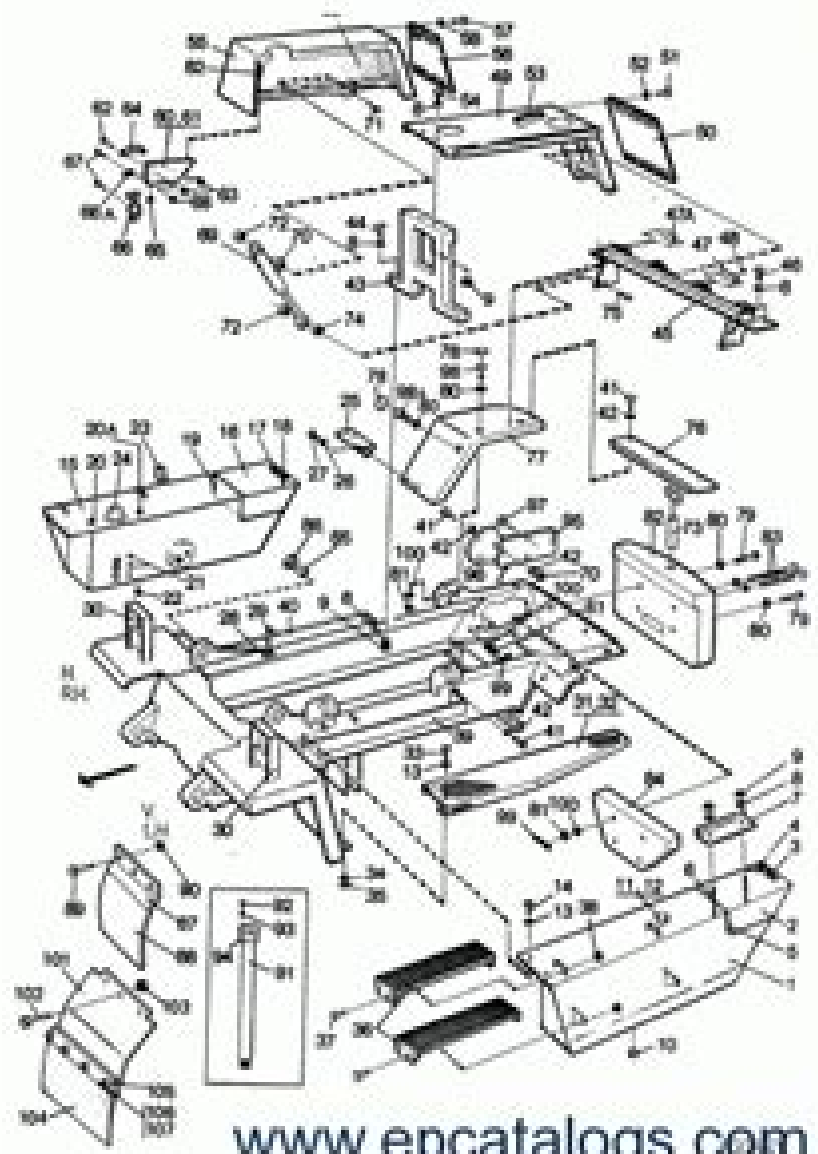


DC 8-98

10 11

Reservdelar - Spare parts

Art	Ben	STAVEN	TEKST	QTY	REMARKS
1	10000	10000			
2					
3					
4					
5					
6					
7					
8					
9					
10					
11					
12					
13					
14					
15					
16					
17					
18					
19					
20					
21					
22					
23					
24					
25					
26					
27					
28					
29					
30					
31					
32					
33					
34					
35					
36					
37					
38					
39					
40					
41					
42					
43					
44					
45					
46					
47					
48					
49					
50					
51					
52					
53					
54					
55					
56					
57					
58					
59					
60					
61					
62					
63					
64					
65					
66					
67					
68					
69					
70					
71					
72					
73					
74					
75					
76					
77					
78					
79					
80					
81					
82					
83					
84					
85					
86					
87					
88					
89					
90					
91					
92					
93					
94					
95					
96					
97					
98					
99					
100					



Kalmar Parts Manual

Lingjun Ying



Kalmar Parts Manual:

Catalogue of the Educational Division of the South Kensington Museum ,1867 **Catalogue of the educational division of the South Kensington museum** Victoria and Albert museum,1867 Catalogue of the Educational Division of the South Kensington Museum South Kensington Museum,1876 **Moody's International Manual** ,1998 **Monthly Catalog of United States Government Publications** ,1998-07 **A school manual of modern geography. Physical and political** John Richardson (vicar of St. Mary's hospital, Ilford.),1876 Thomas Register of American Manufacturers and Thomas Register Catalog File ,2002 Vols for 1970 71 includes manufacturers catalogs **Monthly Catalogue, United States Public Documents** ,1992 **A smaller manual of modern geography. Physical and political** John Richardson (vicar of St. Mary's hospital, Ilford.),1880 Catalog of Copyright Entries Library of Congress. Copyright Office,1962 The Legislative Manual of the State of Minnesota Minnesota. Secretary of State,1901 **THOMAS REGIONAL INDUSTRIAL BUYING GUIDE NORTHERN CALIFORNIA 2004** , **Popular Mechanics** ,1939-05 Popular Mechanics inspires instructs and influences readers to help them master the modern world Whether it s practical DIY home improvement tips gadgets and digital technology information on the newest cars or the latest breakthroughs in science PM is the ultimate guide to our high tech lifestyle **Current Catalog** National Library of Medicine (U.S.),1969 Includes subject section name section and 1968 1970 technical reports *Catalogue of Title-entries of Books and Other Articles Entered in the Office of the Librarian of Congress, at Washington, Under the Copyright Law ... Wherein the Copyright Has Been Completed by the Deposit of Two Copies in the Office* Library of Congress. Copyright Office,1959 Popular Mechanics ,1942-01 Popular Mechanics inspires instructs and influences readers to help them master the modern world Whether it s practical DIY home improvement tips gadgets and digital technology information on the newest cars or the latest breakthroughs in science PM is the ultimate guide to our high tech lifestyle **May 2023 - Surplus Record Machinery & Equipment Directory** Tom Scanlan,2023-05-01 SURPLUS RECORD is the leading independent business directory of new and used capital equipment machine tools machinery and industrial equipment listing over 110 000 industrial assets since 1924 including metalworking and fabricating machine tools lathes cnc equipment machine centers woodworking equipment food equipment chemical and process equipment cranes air compressors pumps motors circuit breakers generators transformers turbines and more Over 1 100 businesses list with the SURPLUS RECORD May 2023 issue Vol 100 No 5 **Popular Mechanics** ,1942-07 Popular Mechanics inspires instructs and influences readers to help them master the modern world Whether it s practical DIY home improvement tips gadgets and digital technology information on the newest cars or the latest breakthroughs in science PM is the ultimate guide to our high tech lifestyle **July 2023 - Surplus Record Machinery & Equipment Directory** Tom Scanlan, SURPLUS RECORD is the leading independent business directory of new and used capital equipment machine tools machinery and industrial equipment listing

over 110 000 industrial assets since 1924 including metalworking and fabricating machine tools lathes cnc equipment machine centers woodworking equipment food equipment chemical and process equipment cranes air compressors pumps motors circuit breakers generators transformers turbines and more Over 1 100 businesses list with the SURPLUS RECORD July 2023 issue Vol 100 No 7

Immerse yourself in heartwarming tales of love and emotion with Explore Love with its touching creation, Experience Love's Journey in **Kalmar Parts Manual**. This emotionally charged ebook, available for download in a PDF format (PDF Size: *), is a celebration of love in all its forms. Download now and let the warmth of these stories envelop your heart.

<https://staging.conocer.cide.edu/files/virtual-library/fetch.php/Lecci%20N%202%20Workbook%20Answer%20Key.pdf>

Table of Contents Kalmar Parts Manual

1. Understanding the eBook Kalmar Parts Manual
 - The Rise of Digital Reading Kalmar Parts Manual
 - Advantages of eBooks Over Traditional Books
2. Identifying Kalmar Parts Manual
 - Exploring Different Genres
 - Considering Fiction vs. Non-Fiction
 - Determining Your Reading Goals
3. Choosing the Right eBook Platform
 - Popular eBook Platforms
 - Features to Look for in an Kalmar Parts Manual
 - User-Friendly Interface
4. Exploring eBook Recommendations from Kalmar Parts Manual
 - Personalized Recommendations
 - Kalmar Parts Manual User Reviews and Ratings
 - Kalmar Parts Manual and Bestseller Lists
5. Accessing Kalmar Parts Manual Free and Paid eBooks
 - Kalmar Parts Manual Public Domain eBooks
 - Kalmar Parts Manual eBook Subscription Services
 - Kalmar Parts Manual Budget-Friendly Options
6. Navigating Kalmar Parts Manual eBook Formats

- ePub, PDF, MOBI, and More
- Kalmar Parts Manual Compatibility with Devices
- Kalmar Parts Manual Enhanced eBook Features
- 7. Enhancing Your Reading Experience
 - Adjustable Fonts and Text Sizes of Kalmar Parts Manual
 - Highlighting and Note-Taking Kalmar Parts Manual
 - Interactive Elements Kalmar Parts Manual
- 8. Staying Engaged with Kalmar Parts Manual
 - Joining Online Reading Communities
 - Participating in Virtual Book Clubs
 - Following Authors and Publishers Kalmar Parts Manual
- 9. Balancing eBooks and Physical Books Kalmar Parts Manual
 - Benefits of a Digital Library
 - Creating a Diverse Reading Collection Kalmar Parts Manual
- 10. Overcoming Reading Challenges
 - Dealing with Digital Eye Strain
 - Minimizing Distractions
 - Managing Screen Time
- 11. Cultivating a Reading Routine Kalmar Parts Manual
 - Setting Reading Goals Kalmar Parts Manual
 - Carving Out Dedicated Reading Time
- 12. Sourcing Reliable Information of Kalmar Parts Manual
 - Fact-Checking eBook Content of Kalmar Parts Manual
 - Distinguishing Credible Sources
- 13. Promoting Lifelong Learning
 - Utilizing eBooks for Skill Development
 - Exploring Educational eBooks
- 14. Embracing eBook Trends
 - Integration of Multimedia Elements
 - Interactive and Gamified eBooks

Kalmar Parts Manual Introduction

Free PDF Books and Manuals for Download: Unlocking Knowledge at Your Fingertips In today's fast-paced digital age, obtaining valuable knowledge has become easier than ever. Thanks to the internet, a vast array of books and manuals are now available for free download in PDF format. Whether you are a student, professional, or simply an avid reader, this treasure trove of downloadable resources offers a wealth of information, conveniently accessible anytime, anywhere. The advent of online libraries and platforms dedicated to sharing knowledge has revolutionized the way we consume information. No longer confined to physical libraries or bookstores, readers can now access an extensive collection of digital books and manuals with just a few clicks. These resources, available in PDF, Microsoft Word, and PowerPoint formats, cater to a wide range of interests, including literature, technology, science, history, and much more. One notable platform where you can explore and download free Kalmar Parts Manual PDF books and manuals is the internet's largest free library. Hosted online, this catalog compiles a vast assortment of documents, making it a veritable goldmine of knowledge. With its easy-to-use website interface and customizable PDF generator, this platform offers a user-friendly experience, allowing individuals to effortlessly navigate and access the information they seek. The availability of free PDF books and manuals on this platform demonstrates its commitment to democratizing education and empowering individuals with the tools needed to succeed in their chosen fields. It allows anyone, regardless of their background or financial limitations, to expand their horizons and gain insights from experts in various disciplines. One of the most significant advantages of downloading PDF books and manuals lies in their portability. Unlike physical copies, digital books can be stored and carried on a single device, such as a tablet or smartphone, saving valuable space and weight. This convenience makes it possible for readers to have their entire library at their fingertips, whether they are commuting, traveling, or simply enjoying a lazy afternoon at home. Additionally, digital files are easily searchable, enabling readers to locate specific information within seconds. With a few keystrokes, users can search for keywords, topics, or phrases, making research and finding relevant information a breeze. This efficiency saves time and effort, streamlining the learning process and allowing individuals to focus on extracting the information they need. Furthermore, the availability of free PDF books and manuals fosters a culture of continuous learning. By removing financial barriers, more people can access educational resources and pursue lifelong learning, contributing to personal growth and professional development. This democratization of knowledge promotes intellectual curiosity and empowers individuals to become lifelong learners, promoting progress and innovation in various fields. It is worth noting that while accessing free Kalmar Parts Manual PDF books and manuals is convenient and cost-effective, it is vital to respect copyright laws and intellectual property rights. Platforms offering free downloads often operate within legal boundaries, ensuring that the materials they provide are either in the public domain or authorized for distribution. By adhering to copyright laws, users can enjoy the benefits of free access to knowledge while supporting the authors and publishers who make these resources

available. In conclusion, the availability of Kalmar Parts Manual free PDF books and manuals for download has revolutionized the way we access and consume knowledge. With just a few clicks, individuals can explore a vast collection of resources across different disciplines, all free of charge. This accessibility empowers individuals to become lifelong learners, contributing to personal growth, professional development, and the advancement of society as a whole. So why not unlock a world of knowledge today? Start exploring the vast sea of free PDF books and manuals waiting to be discovered right at your fingertips.

FAQs About Kalmar Parts Manual Books

What is a Kalmar Parts Manual PDF? A PDF (Portable Document Format) is a file format developed by Adobe that preserves the layout and formatting of a document, regardless of the software, hardware, or operating system used to view or print it. **How do I create a Kalmar Parts Manual PDF?** There are several ways to create a PDF: Use software like Adobe Acrobat, Microsoft Word, or Google Docs, which often have built-in PDF creation tools. Print to PDF: Many applications and operating systems have a "Print to PDF" option that allows you to save a document as a PDF file instead of printing it on paper. Online converters: There are various online tools that can convert different file types to PDF. **How do I edit a Kalmar Parts Manual PDF?** Editing a PDF can be done with software like Adobe Acrobat, which allows direct editing of text, images, and other elements within the PDF. Some free tools, like PDFescape or Smallpdf, also offer basic editing capabilities. **How do I convert a Kalmar Parts Manual PDF to another file format?** There are multiple ways to convert a PDF to another format: Use online converters like Smallpdf, Zamzar, or Adobe Acrobat's export feature to convert PDFs to formats like Word, Excel, JPEG, etc. Software like Adobe Acrobat, Microsoft Word, or other PDF editors may have options to export or save PDFs in different formats. **How do I password-protect a Kalmar Parts Manual PDF?** Most PDF editing software allows you to add password protection. In Adobe Acrobat, for instance, you can go to "File" -> "Properties" -> "Security" to set a password to restrict access or editing capabilities. Are there any free alternatives to Adobe Acrobat for working with PDFs? Yes, there are many free alternatives for working with PDFs, such as: LibreOffice: Offers PDF editing features. PDFsam: Allows splitting, merging, and editing PDFs. Foxit Reader: Provides basic PDF viewing and editing capabilities. How do I compress a PDF file? You can use online tools like Smallpdf, ILovePDF, or desktop software like Adobe Acrobat to compress PDF files without significant quality loss. Compression reduces the file size, making it easier to share and download. Can I fill out forms in a PDF file? Yes, most PDF viewers/editors like Adobe Acrobat, Preview (on Mac), or various online tools allow you to fill out forms in PDF files by selecting text fields and entering information. Are there any restrictions when working with PDFs? Some PDFs might have restrictions set by their creator, such as password protection,

editing restrictions, or print restrictions. Breaking these restrictions might require specific software or tools, which may or may not be legal depending on the circumstances and local laws.

Find Kalmar Parts Manual :

[lecci n 2 workbook answer key](#)

[learn german 101 basic dialogues](#)

[leaving cert exam papers solutions](#)

[learn earth science station model](#)

[leftover recipe soup turkey](#)

[lehninger principles of biochemistry solution manual](#)

legal opinion sample

leaking jsc exam paper

[leaked 2014 igcse paper 4](#)

[learning r for geospatial analysis](#)

[lean office service simplified](#)

[leeboy 8515 operating manual](#)

lego mindstorms car building instructions

[leatherworking levelling guide 1 450](#)

learning to program with alice 2nd edition

Kalmar Parts Manual :

tuttle vietnamese english dictionary completely revised and - Sep 04 2022

web studying english and students of vietnamese english english tamil dictionary tuttle publishing contains the english translations of commonly used vietnamese words and phrases includes usage tips and a pronunciation guide that incorporates regional variations tuttle vietnamese english dictionary tuttle mini dictionary

[tuttle english vietnamese dictionary google books](#) - Feb 09 2023

web dec 15 2006 tuttle publishing dec 15 2006 foreign language study 384 pages this is the most up to date and complete english to vietnamese dictionary available it is designed primarily for the growing number of students of vietnamese who need a good and reliable english vietnamese dictionary

tuttle vietnamese english dictionary completely revised and - Oct 17 2023

web read tuttle vietnamese english dictionary by nguyen dinh hoa phan van giuong with a free trial read millions of ebooks and audiobooks on the web ipad iphone and android this is the most up to date and complete vietnamese to english dictionary available

tuttle vietnamese english dictionary completely revised and - Aug 15 2023

web tuttle vietnamese english dictionary completely revised and updated second edition paperback 2 february 2016 by nguyen dinh hoa author phan van giuong author 4 5 out of 5 stars 90 ratings

tuttle vietnamese english dictionary completely revised and - Sep 16 2023

web may 22 2018 nguyen dinh hoa the original author of tuttle vietnamese english dictionary taught vietnamese studies at san jose university he s authored many highly acclaimed vietnamese publications phan van giuong the editor for this 2nd edition was a distinguished professor in vietnamese studies at victoria university melbourne where

tuttle english vietnamese dictionary 9780804846721 - Jul 14 2023

web feb 2 2016 this is the most up to date and complete english to vietnamese dictionary available it is designed primarily for the growing number of students of vietnamese who need a good and reliable english vietnamese dictionary

tuttle vietnamese english dictionary completely r uniport edu - Feb 26 2022

web tuttle vietnamese english dictionary completely r 3 7 downloaded from uniport edu ng on september 9 2023 by guest periplus pocket vietnamese dictionary phan van giuong 2018 06 19 look up words quickly and easily with this travel sized vietnamese dictionary intended for use by tourists students

tuttle compact vietnamese dictionary google books - Dec 07 2022

web may 10 2016 completely comprehensive and up to date with over 25 000 entries contains english vietnamese and vietnamese english clear user friendly layout with idioms and sample sentences given the ideal dictionary for students teachers and business people

tuttle concise vietnamese dictionary google books - Jan 08 2023

web feb 11 2014 tuttle concise vietnamese dictionary is the most up to date compact vietnamese dictionary available today it is designed for english speakers who are studying the vietnamese language traveling to vietnam or using the language on a daily basis to interact with vietnamese speakers it has both vietnamese to english and

tuttle english vietnamese dictionary tuttle reference dic - Mar 10 2023

web dec 15 2006 tuttle vietnamese english dictionary completely revised and updated second edition tuttle reference dic 43 87 usually ships within 6 to 7 days now completely revised and updated the tuttle english vietnamese dictionary contains over 18 000 entries of contemporary words and terms

tuttle vietnamese english dictionary google books - Apr 11 2023

web completely revised and updated with over 19 000 entries clear user friendly text with idioms expressions and sample sentences the ideal dictionary for students and business people the first edition published as essential english vietnamese dictionary was by professor nguyen hinh hoa and his daughter patricia nguyen thi huong

tuttle vietnamese english dictionary completely r pdf web mei - Aug 03 2022

web tuttle vietnamese english dictionary completely r recognizing the pretentiousness ways to acquire this books tuttle vietnamese english dictionary completely r is additionally useful you have remained in right site to begin getting this info get the tuttle vietnamese english dictionary completely r associate that we have the funds for

tuttle vietnamese english dictionary completely r 2022 ws - Jun 01 2022

web tuttle compact vietnamese dictionary tuttle publishing this is a complete vietnamese language course designed for college or high school level classroom use or self study

tuttle vietnamese english dictionary completely revised and - Jun 13 2023

web tuttle vietnamese english dictionary completely revised and updated second edition ebook written by nguyen dinh hoa phan van giuong read this book using google play books app on your pc android ios devices

tuttle vietnamese english dictionary completely r uniport edu - Apr 30 2022

web sep 2 2023 merely said the tuttle vietnamese english dictionary completely r is universally compatible subsequent to any devices to read essential english vietnamese dictionary dinh ho nguy n 1993 vietnamese english english vietnamese dictionary l

tuttle vietnamese english dictionary completely revised and - Jul 02 2022

web grammar and usage chinese translations for common english names and places in china tuttle mini vietnamese dictionary jul 21 2020 it s never a good idea to be overly reliant on technology while traveling look up words quickly and easily with this great little vietnamese dictionary tuttle mini vietnamese dictionary is ideal for any

tuttle compact vietnamese dictionary google books - Nov 06 2022

web completely comprehensive and up to date with over 25 000 entries contains english vietnamese and vietnamese english clear user friendly layout with idioms and sample sentences given the ideal dictionary for

tuttle vietnamese english dictionary completely r pdf pdf - Oct 05 2022

web introduction tuttle vietnamese english dictionary completely r pdf pdf vietnamese english dictionary Đình hoà nguyên 1991 contains the english translations of commonly used vietnamese words and phrases includes usage tips and a pronunciation guide that incorporates regional variations

pdf tuttle vietnamese english dictionary completely r - Mar 30 2022

web tuttle vietnamese english dictionary completely r tuttle concise chinese dictionary jan 09 2023 this is the most up to date mandarin chinese dictionary available today tuttle concise chinese dictionary has both chinese to english and english to chinese sections it s compact size allows for easy transport without limiting the content

tuttle vietnamese english dictionary google books - May 12 2023

web feb 2 2016 tuttle publishing feb 2 2016 foreign language study 320 pages 0 reviews reviews aren t verified but google checks for and removes fake content when it s identified this is the most up to date and complete vietnamese to

kunwari ladki ko garam karne ka tarika human issues - Sep 04 2022

web sep 7 2023 kunwari ladki ko garam karne ka tarika human issues smarty girl kamal ki tips kamalkitips desihealthcare duakashmiri sanavoiced mahamvoiced drfat

ladki ko garam karne ke liye kaun si tablet istemal karna chahiye - Dec 27 2021

web ladki ko garam karne ke liye kaun si tablet istemal karna chahiye 1 answer listen to expert answers on vokal india s largest question answers platform in 11 indian languages

ladki ko garam kaise karen youtube - Jun 13 2023

web ladki ko garam kaise karte hain iska aasaan sa upay bina kisi bhi dawa ke uttam aanad kaise prapt karen

ladki ko garam karne ki tablet kaise kare - Apr 30 2022

web browsing ladki ko garam karne ki tablet 1 answer listen to expert answers on vokal india s largest question answers platform in 11 indian languages

ladki ko garam karne ka easy tarika youtube - May 12 2023

web ladki ko garam karne ka tarika aurat ko garam karne ka tarika aurat k andar heat aur garmaish paida kare keh khud kapdy utar de naramgaram esxtips beautifulllife

larki ko garam karne ka asaan tarika larki ko garam kasa youtube - Nov 06 2022

web jun 2 2023 no views 1 minute ago hinakibaatein garam larkigaram hello everyone is video mian btiya gia hai k larki ko garam karne ka asaan tarika larki ko garam kasa karta hai hina ki ba

ladki ko garam karne ki tablet kaun si hai vokal - Jan 28 2022

web ladki ko garam karne ki tablet kaun si hai 1 answer listen to expert answers on vokal india s largest question answers platform in 11 indian languages

ladki ko garam kaise karen - Mar 30 2022

web ladki ko garam karne ke liye upvaas mein baitha hai aur dhire dhire uski janghon ke upar aa jayen aur phir uske gaano ko chalaye balon ko chalaye jab aap aisa karenge uske sharir par hath milayenge toh ladki dhire dhire garam hone lagegi mor aap mein bhi uttejna aane lag jayegi jab dono acche uttejit ho jaaye toh phir sex ke liye samjha taiyar

[ladki ko kaise garam karein](#) [url] - Apr 11 2023

web sep 8 2023 copyright disclaimer under section 107 of the copyright act 1976 allowance is made for fair use for purposes such as criticism comment news reporting sc

[url] - Jul 02 2022

web aug 14 2018 [ladki aurat ya bhabhi ko kaise garm kare](#) [url] [ladki ko garam karne ka tarike totke hindi me bhabhi garam karne ke tips](#)

[larki ko garam karne ka khas tarika treat yourself bwn](#) - Feb 09 2023

web [larki ko garam karne ka khas tarika farooq islamic tips treatyourself humbistarikishogeenauratin humbistarikishogeenauratin farigh motivational quotes](#)

[url] **udhp** - Jun 01 2022

web apr 17 2022 [ladki ko garam karne ke tips](#) [url]

[larki ko garam karne ka tarika aurat ko garam karne ka](#) - Dec 07 2022

web [larki ko garam karne ka tarika in voice aurat ko garam karne ka tarika kar aurat ko garam karne ka tarika orat ko garam krny ka totka ladki ko garam karne ka tarika in urdu ladki ko garam](#)

3 [url] [ladki ko garam karne](#) - Aug 03 2022

web aug 6 2022 [ladki ko garam karne wali tablet ka naam hai](#) [url] female viagra tablet

[ladki ko garam karne ka asan tarika rukhsar urdu youtube](#) - Mar 10 2023

web mar 16 2023 [ladki ko garam karne ka asan tarika rukhsar urdu](#) in this video you were told three such things you will know what is the easy way to make a girl hot

[ladki ko garam karne ka tarika larki ka sb sy nazuk hisa](#) [url] - Jan 08 2023

web nov 24 2017 [ladki ko garam karne ka tarika larki ka sb sy nazuk hisa](#) [url] [larki ko garam krny ka tareeqa](#)

[url] - Jul 14 2023

web may 17 2023 [url] [ladki ko garm karne ke steps](#) [url] [ladki garam karne ki goli](#) [url]

[ladki ko garam karne ka tarika kisi aurat ka](#) [url] - Aug 15 2023

web jan 7 2023 [ladki ko garam karne ka tarika kisi aurat ka](#) [url] [fantasyinrelationship healthydiet mardankamjoridur benefitsofvegetables healtheducation](#)

ladki puri tarah garam kaise hoti hai www ladaki ko kis tarah - Oct 05 2022

web ladki k pass esi kya cheez he jo shadi k pehle bhi hoti he or shadi k baad hoti he lekin shadi k di nahi hoti he source ladki ke paas aisi kya cheez hai jo shadi ke pehle aur shadi ke baad hoti hai per shadi ke din nahi hoti

larki ko garam karne ka tarika 000 000 2 00 0000 youtube - Feb 26 2022

web mar 7 2023 0 00 3 37 larki ko garam karne ka tarika 0000 0000 0000 000 000 000 2 00 0000 nnc numan care center 611k subscribers subscribe 11k views 6 months ago we will provide you complete

physical education learning packets answer key form signnow - Feb 02 2022

web physical education learning packet football answer key uvalde the statement physical education learning packet football answer key that you are looking for

download solutions physical education learning packets soccer - Apr 04 2022

web physical education learning packets soccer answer key the visual guide to second grade aug 16 2020 the visual guide to second grade uses bold infographics to

physical education learning packets squarespace - Feb 14 2023

web physical education learning packets 1 volleyball answer key physical education learning packets 20 handball answer key physical education learning packets 2

football packet 13 coppin academy high school - May 05 2022

web mar 13 2020 this learning packet has two parts 1 text to read and 2 questions to answer the text describes a particular sport or physical activity and relates its history

pe packet football answers pdf course hero - Jul 07 2022

web dec 17 2015 physical education learning packets 13 football answers physical education packet volume 1 answer key 09 2020 this learning packet has two

physical education learning packets 6 soccer answer key - Oct 10 2022

web mar 31 2023 physical education learning packets 6 soccer answer key unlocking the power of online learning for physical education introduction curiosities and

physical education learning packets answer key 6 soccer - Aug 20 2023

web physical education learning packets answer key 6 soccer 2970 kb s 3745 what is physical education and why is it important while physical education programs

get the free physical education 6 word search form pdfiller - Mar 03 2022

web how do i complete physical education 6 word search answer key soccer online pdfiller has made it simple to fill out and esign physical education 6 crossword the application

soccer pdf physical education learning packet - Apr 16 2023

web physical education learning packet 6 soccer instructions this learningpacket has two parts 1 text to read and 2 questions to answer the text

physical education soccer flashcards quizlet - Sep 21 2023

web 11 terms caitlynking65 preview student response packet wrestling 10 terms a12501954 preview soccer physical education packet 24 terms nadiyap15 preview terms in this

physical education learning packets answer key answers for - Aug 08 2022

web answer key physical education learning packets the physical education learning packet 22 answer key is a resource that was created to help students learn the material

physical education soccer tpt - Sep 09 2022

web this soccer packet is perfect to introduce your students to the basic rules vocabulary and beginning elements of a soccer game i use this packet in grades 3 8 to help teach

physical education learning packets answer key soccer - Jan 01 2022

web books subsequent to this one merely said the physical education learning packets answer key soccer is universally compatible gone any devices to read from adam to

soccer packet 6 st louis public schools - Jun 18 2023

web this learning packet has two parts 1 text to read and 2 questions to answer the text describes a particular sport or physical activity and relates its history rules playing

soccer packet 6 - Nov 30 2021

web this learning packet has two parts 1 text to read and 2 questions to answer the text describes a particular sport or physical activity and relates its history rules playing

physical education learning packets answer key pdfiller - Jun 06 2022

web get the free physical education learning packets answer key form get form show details 4 4 98 753 reviews 4 5 11 210 reviews 4 6 715 reviews 4 6 789 reviews get create

soccer packet 6 the syracuse city school district - May 17 2023

web this learning packet has two parts 1 text to read and 2 questions to answer the text describes a particular sport or physical activity and relates its history rules playing

physical education 6 word search answer key soccer - Dec 12 2022

web physical education 6 word search answer key soccer updated 2666 kb s 4919 physical education 6 word search answer key soccer new 3459 kb s 6326

soccer packet 6 coppin academy high school - Oct 22 2023

web mar 13 2020 this learning packet has two parts 1 text to read and 2 questions to answer the text describes a particular sport or physical activity and relates its history

soccer packet 6 soccer instructions this learning - Mar 15 2023

web packet 6 soccer instructions this learning packet has two parts 1 text to read and 2 questions to answer the text describes a particular sport or physical

soccer skills intermediate 3 5 open physical education - Nov 11 2022

web feb 4 2015 soccer skills intermediate 3 5 this module builds on the skills introduced in primary foot skills module through skill specific soccer lead up games ball control with

physical education learning packet worksheets k12 workbook - Jan 13 2023

web worksheets are soccer packet 6 disability awareness activity packet basketball packet 4 physical therapist assistant pta program 2019 2020 flag football packet 31

soccer physical education packet flashcards quizlet - Jul 19 2023

web a player attempts to control a ball by stopping it or changing its direction this technique is used when the ball is too high to reach with any other body part the most critical move