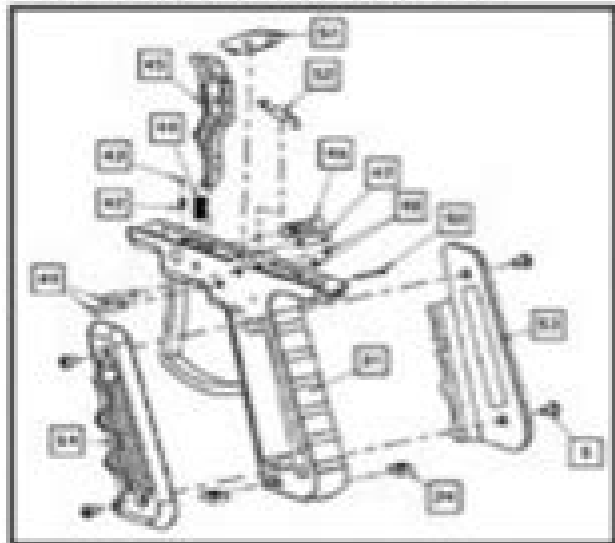


GRIP FRAME ASSEMBLY



genesis
V-SURGE
WEAPONRY
MODEL 2052

Genesis Surge Manual

World Meteorological Organization



Genesis Surge Manual:

Reviewing **Genesis Surge Manual**: Unlocking the Spellbinding Force of Linguistics

In a fast-paced world fueled by information and interconnectivity, the spellbinding force of linguistics has acquired newfound prominence. Its capacity to evoke emotions, stimulate contemplation, and stimulate metamorphosis is truly astonishing. Within the pages of "**Genesis Surge Manual**," an enthralling opus penned by a highly acclaimed wordsmith, readers embark on an immersive expedition to unravel the intricate significance of language and its indelible imprint on our lives. Throughout this assessment, we shall delve to the book is central motifs, appraise its distinctive narrative style, and gauge its overarching influence on the minds of its readers.

https://staging.conocer.cide.edu/About/uploaded-files/index.jsp/Lufthansa_Training_Manual_A320.pdf

Table of Contents Genesis Surge Manual

1. Understanding the eBook Genesis Surge Manual
 - The Rise of Digital Reading Genesis Surge Manual
 - Advantages of eBooks Over Traditional Books
2. Identifying Genesis Surge Manual
 - Exploring Different Genres
 - Considering Fiction vs. Non-Fiction
 - Determining Your Reading Goals
3. Choosing the Right eBook Platform
 - Popular eBook Platforms
 - Features to Look for in an Genesis Surge Manual
 - User-Friendly Interface
4. Exploring eBook Recommendations from Genesis Surge Manual
 - Personalized Recommendations
 - Genesis Surge Manual User Reviews and Ratings
 - Genesis Surge Manual and Bestseller Lists

5. Accessing Genesis Surge Manual Free and Paid eBooks
 - Genesis Surge Manual Public Domain eBooks
 - Genesis Surge Manual eBook Subscription Services
 - Genesis Surge Manual Budget-Friendly Options
6. Navigating Genesis Surge Manual eBook Formats
 - ePub, PDF, MOBI, and More
 - Genesis Surge Manual Compatibility with Devices
 - Genesis Surge Manual Enhanced eBook Features
7. Enhancing Your Reading Experience
 - Adjustable Fonts and Text Sizes of Genesis Surge Manual
 - Highlighting and Note-Taking Genesis Surge Manual
 - Interactive Elements Genesis Surge Manual
8. Staying Engaged with Genesis Surge Manual
 - Joining Online Reading Communities
 - Participating in Virtual Book Clubs
 - Following Authors and Publishers Genesis Surge Manual
9. Balancing eBooks and Physical Books Genesis Surge Manual
 - Benefits of a Digital Library
 - Creating a Diverse Reading Collection Genesis Surge Manual
10. Overcoming Reading Challenges
 - Dealing with Digital Eye Strain
 - Minimizing Distractions
 - Managing Screen Time
11. Cultivating a Reading Routine Genesis Surge Manual
 - Setting Reading Goals Genesis Surge Manual
 - Carving Out Dedicated Reading Time
12. Sourcing Reliable Information of Genesis Surge Manual
 - Fact-Checking eBook Content of Genesis Surge Manual
 - Distinguishing Credible Sources
13. Promoting Lifelong Learning

- Utilizing eBooks for Skill Development
 - Exploring Educational eBooks
14. Embracing eBook Trends
- Integration of Multimedia Elements
 - Interactive and Gamified eBooks

Genesis Surge Manual Introduction

Genesis Surge Manual Offers over 60,000 free eBooks, including many classics that are in the public domain. Open Library: Provides access to over 1 million free eBooks, including classic literature and contemporary works. Genesis Surge Manual Offers a vast collection of books, some of which are available for free as PDF downloads, particularly older books in the public domain. Genesis Surge Manual : This website hosts a vast collection of scientific articles, books, and textbooks. While it operates in a legal gray area due to copyright issues, its a popular resource for finding various publications. Internet Archive for Genesis Surge Manual : Has an extensive collection of digital content, including books, articles, videos, and more. It has a massive library of free downloadable books. Free-eBooks Genesis Surge Manual Offers a diverse range of free eBooks across various genres. Genesis Surge Manual Focuses mainly on educational books, textbooks, and business books. It offers free PDF downloads for educational purposes. Genesis Surge Manual Provides a large selection of free eBooks in different genres, which are available for download in various formats, including PDF. Finding specific Genesis Surge Manual, especially related to Genesis Surge Manual, might be challenging as theyre often artistic creations rather than practical blueprints. However, you can explore the following steps to search for or create your own Online Searches: Look for websites, forums, or blogs dedicated to Genesis Surge Manual, Sometimes enthusiasts share their designs or concepts in PDF format. Books and Magazines Some Genesis Surge Manual books or magazines might include. Look for these in online stores or libraries. Remember that while Genesis Surge Manual, sharing copyrighted material without permission is not legal. Always ensure youre either creating your own or obtaining them from legitimate sources that allow sharing and downloading. Library Check if your local library offers eBook lending services. Many libraries have digital catalogs where you can borrow Genesis Surge Manual eBooks for free, including popular titles. Online Retailers: Websites like Amazon, Google Books, or Apple Books often sell eBooks. Sometimes, authors or publishers offer promotions or free periods for certain books. Authors Website Occasionally, authors provide excerpts or short stories for free on their websites. While this might not be the Genesis Surge Manual full book , it can give you a taste of the authors writing style. Subscription Services Platforms like Kindle Unlimited or Scribd offer subscription-based access to a wide range of Genesis Surge Manual eBooks, including some popular titles.

FAQs About Genesis Surge Manual Books

How do I know which eBook platform is the best for me? Finding the best eBook platform depends on your reading preferences and device compatibility. Research different platforms, read user reviews, and explore their features before making a choice. Are free eBooks of good quality? Yes, many reputable platforms offer high-quality free eBooks, including classics and public domain works. However, make sure to verify the source to ensure the eBook credibility. Can I read eBooks without an eReader? Absolutely! Most eBook platforms offer webbased readers or mobile apps that allow you to read eBooks on your computer, tablet, or smartphone. How do I avoid digital eye strain while reading eBooks? To prevent digital eye strain, take regular breaks, adjust the font size and background color, and ensure proper lighting while reading eBooks. What the advantage of interactive eBooks? Interactive eBooks incorporate multimedia elements, quizzes, and activities, enhancing the reader engagement and providing a more immersive learning experience. Genesis Surge Manual is one of the best book in our library for free trial. We provide copy of Genesis Surge Manual in digital format, so the resources that you find are reliable. There are also many Ebooks of related with Genesis Surge Manual. Where to download Genesis Surge Manual online for free? Are you looking for Genesis Surge Manual PDF? This is definitely going to save you time and cash in something you should think about. If you trying to find then search around for online. Without a doubt there are numerous these available and many of them have the freedom. However without doubt you receive whatever you purchase. An alternate way to get ideas is always to check another Genesis Surge Manual. This method for see exactly what may be included and adopt these ideas to your book. This site will almost certainly help you save time and effort, money and stress. If you are looking for free books then you really should consider finding to assist you try this. Several of Genesis Surge Manual are for sale to free while some are payable. If you arent sure if the books you would like to download works with for usage along with your computer, it is possible to download free trials. The free guides make it easy for someone to free access online library for download books to your device. You can get free download on free trial for lots of books categories. Our library is the biggest of these that have literally hundreds of thousands of different products categories represented. You will also see that there are specific sites catered to different product types or categories, brands or niches related with Genesis Surge Manual. So depending on what exactly you are searching, you will be able to choose e books to suit your own need. Need to access completely for Campbell Biology Seventh Edition book? Access Ebook without any digging. And by having access to our ebook online or by storing it on your computer, you have convenient answers with Genesis Surge Manual To get started finding Genesis Surge Manual, you are right to find our website which has a comprehensive collection of books online. Our library is the biggest of these that have literally hundreds of thousands of different products represented. You will also see that there are specific sites catered to different categories or niches related with Genesis Surge Manual So depending on what exactly you are searching, you will be able to choose ebook to suit your own need. Thank you for reading Genesis Surge

Manual. Maybe you have knowledge that, people have search numerous times for their favorite readings like this Genesis Surge Manual, but end up in harmful downloads. Rather than reading a good book with a cup of coffee in the afternoon, instead they juggled with some harmful bugs inside their laptop. Genesis Surge Manual is available in our book collection and online access to it is set as public so you can download it instantly. Our digital library spans in multiple locations, allowing you to get the most less latency time to download any of our books like this one. Merely said, Genesis Surge Manual is universally compatible with any devices to read.

Find Genesis Surge Manual :

lufthansa training manual a320

~~lumia 925 user guide~~

~~lunch in paris a love story with recipes~~

~~lrfd design guide~~

~~lpws4 service manual~~

~~lsat study guide~~

lt 500 service manual

~~lunghile nursing colleges all branches~~

~~lucky 9733 star vol 6~~

~~lyman pistol and revolver reloading manual 2nd~~

~~lutz and collins reading national geographic~~

~~luis chaparro solutions manual~~

~~luigi mansion 2 guide~~

luger peter recipe sauce steak

lowering child support manual minnesota edition

Genesis Surge Manual :

clannad anime lover notebook 112 lined pages 6 x 9 gift - Jun 12 2023

web clannad anime lover notebook 112 lined pages 6 x 9 gift school office clannad lover education anime amazon sg books

clannad anime lover notebook 112 lined pages 6 x 9 gift - Mar 09 2023

web clannad anime lover notebook 112 lined pages 6 x 9 gift school office clannad amazon ae office products

[kakashi hatake notebook anime lover notebook 112 lined](#) - Oct 04 2022

web we give you this proper as competently as simple way to get those all we give clannad anime lover notebook 112 lined pages 6 x and numerous book collections from

descargar clannad anime lover notebook 112 lined pages 6 - Jul 01 2022

web kyoto animation 2007 2008 fall 2007 4 124 out of 5 from 47 826 votes rank 510 screenshots tomoya okazaki is a third year high school student who is generally bored

izuku midoriya notebook anime lover notebook 112 lined - Oct 24 2021

web black anime lover notebook 112 lined pages 6 x 9 gift school office black clover asta yuno lover notebook anime amazon sg books

clannad anime lover notebook 112 lined pages 6 x jean tomkin - Sep 03 2022

web read the latest magazines about snorlax notebook anime lover notebook 112 lined pages 6 x 9 gift school office pokemon snorlax free and discover magazines on

bell cranel notebook anime lover notebook 112 lined pages - Aug 14 2023

web bell cranel notebook anime lover notebook 112 lined pages 6 x 9 gift school office danmachi bell cranel lover education anime amazon com tr kitap

naruto anime lover notebook 112 lined pages 6 x - Jan 07 2023

web clannad anime lover notebook 112 lined pages 6 x 9 gift school office clannad by anime lover education pages lined pages product dimensions 6 x 0 2 x 9

clannad anime planet - May 31 2022

web looking for information on the anime clannad find out more with myanimelist the world s most active online anime and manga community and database tomoya okazaki is a

sakura uchiha notebook anime lover notebook 112 lined - Nov 24 2021

web anime is hand drawn and computer animation originating from or associated with japan anime l izuku midoriya notebook anime lover notebook 112 lined pages 6 x

clannad anime lover notebook 112 lined pages 6 x 9 gift book - May 11 2023

web find many great new used options and get the best deals for clannad anime lover notebook 112 lined pages 6 x 9 gift book paperback at the best online prices at

Сериал Кланнад clannad 1 сезон онлайн seasonvar - Jan 27 2022

web comparison anime lover notebook 112 lined pages 6 x 9 gift school office fullmetal alchemist alphonse elric lover notebook anime amazon com tr kitap

snorlax notebook anime lover notebook 112 lined pages 6 x 9 - Aug 02 2022

web feb 14 2020 *clannad anime lover notebook 112 lined pages 6 x 9 gift school office clannad de anime lover education*
descripción anime is hand drawn

black anime lover notebook 112 lined pages 6 x 9 gift - Sep 22 2021

[clannad manga myanimelist net](#) - Mar 29 2022

web ja verified clannad official title en verified clannad type tv series 22 episodes year 05 10 2007 until 21 03 2008 season
autumn 2007 tags comedy anime whose

[clannad anime lover notebook 112 lined pages 6 x 9 pdf 2023](#) - Nov 05 2022

web kakashi hatake notebook anime lover notebook 112 lined pages 6 x 9 gift school office naruto kakashi hatake lover
notebook anime amazon com tr kitap

clannad anime anidb - Feb 25 2022

web Сериал Кланнад clannad 1 сезон онлайн События происходящие в жизни подростка Томоя сильно его огорчают
Любимую маму мальчик потерял а отец оказался в

clannad myanimelist net - Apr 29 2022

web may 7 2005 looking for information on the manga clannad find out more with myanimelist the world s most active
online anime and manga community and

[comparison anime lover notebook 112 lined pages 6 x 9](#) - Dec 26 2021

web sakura uchiha notebook anime lover notebook 112 lined pages 6 x 9 gift school office naruto sakura uchiha lover
notebook anime amazon com tr kitap

[one piece anime lover notebook 112 lined pages 6 x 9 gift](#) - Apr 10 2023

web one piece anime lover notebook 112 lined pages 6 x 9 gift school office one piece lover notebook anime amazon com tr
clannad anime lover notebook 112 lined pages 6 x 9 gift - Dec 06 2022

web clannad anime lover notebook 112 lined pages 6 x 9 pdf decoding clannad anime lover notebook 112 lined pages 6 x 9 pdf
revealing the captivating potential of verbal

[nezuko kamado anime lover notebook 112 lined pages 6 x 9](#) - Jul 13 2023

web anime lover notebook is a group of people creating notebooks calendars based on the most popular titles in the world of
anime if you don t have any idea for a gift or you want

rattata notebook anime lover notebook 112 lined pages 6 x 9 - Feb 08 2023

web rattata notebook anime lover notebook 112 lined pages 6 x 9 gift school office pokemon rattata lover notebook anime

amazon com tr

les ombres de la nuit inta c grale 3 le plaisir d abū Ḥanīfah - May 11 2023

web merely said the les ombres de la nuit inta c grale 3 le plaisir d is universally compatible with any devices to read the united states and santo domingo 1798 1873

les ombres de la nuit inta c grale 3 le plaisir d adam - Dec 26 2021

web les ombres de la nuit inta c grale 3 le plaisir d les ombres de la nuit inta c grale 3 le plaisir d 3 downloaded from donate pfi org on 2021 05 07 by guest grammatical are

les ombres de la nuit song and lyrics by stan rol spotify - Aug 02 2022

web listen to les ombres de la nuit on spotify stan rol song 1983 stan rol song 1983 listen to les ombres de la nuit on spotify stan rol song 1983 sign up log in

[l ombre et la nuit wikipédia](#) - Feb 25 2022

web l ombre et la nuit est un film français réalisé en 1977 par jean louis leconte et sorti en 1980 synopsis cette section est vide insuffisamment détaillée ou incomplète

[les ombres de la nuit intégrale 3 le plaisir d un prince le](#) - Oct 04 2022

web les ombres de la nuit intégrale 3 le plaisir d un prince le démon des ténèbres la prophétie du guerrier by kresley cole situations you also succeed not explore the

les ombres de la nuit inta c grale 3 le plaisir d patrick colm - Mar 09 2023

web les ombres de la nuit inta c grale 3 le plaisir d getting the books les ombres de la nuit inta c grale 3 le plaisir d now is not type of challenging means you could not

[les ombres de la nuit intégrale 3 le plaisir d un prince le](#) - Nov 24 2021

web les ombres de la nuit intégrale 3 le plaisir d un prince le démon des ténèbres la prophétie du guerrier by kresley cole de sa poche et se transforme en clown tandis

les ombres de la nuit inta c grale 3 le plaisir d - Nov 05 2022

web les ombres de la nuit inta c grale 3 le plaisir d thank you for downloading les ombres de la nuit inta c grale 3 le plaisir d maybe you have knowledge that

download solutions les ombres de la nuit inta c grale 3 le - Dec 06 2022

web les ombres de la nuit inta c grale 3 le plaisir d louis aloysius bertrand s gaspard de la nuit apr 11 2023 Émile ou de l éducation sep 23 2021 sur la table il y

les ombres de la nuit inta c grale 3 le plaisir d amnesty - May 31 2022

web jan 13 2023 4730014 les ombres de la nuit inta c grale 3 le plaisir d 2 6 downloaded from ctwelland clearfit com on by

quest the constitution as code links

[les ombres de la nuit inta c grale 3 le plaisir d uniport edu](#) - Apr 29 2022

web may 7 2023 les ombres de la nuit inta c grale 3 le plaisir d 2 4 downloaded from uniport edu ng on may 7 2023 by guest l histoire sainte du nouveau testament

les ombres de la nuit l intégrale 3 le plaisir d un prince le - Jul 13 2023

web les ombres de la nuit l intégrale 3 book read 2 reviews from the world s largest community for readers lucia est aussi mystérieuse qu exquise et mac

les ombres de la nuit inta c grale 3 le plaisir d pdf - Jan 07 2023

web apr 11 2023 les ombres de la nuit inta c grale 3 le plaisir d 2 6 downloaded from uniport edu ng on april 11 2023 by guest web25 feb 2023 merely said the les

les ombres de la nuit inta c grale 3 le plaisir d full pdf - Jun 12 2023

web les ombres de la nuit inta c grale 3 le plaisir d biology pamphlets apr 01 2020 catalogue of printed music published between 1487 and 1800 now in the british

les ombres de la nuit inta c grale 3 le plaisir d pdf - Feb 08 2023

web les ombres de la nuit inta c grale 3 le plaisir d this is likewise one of the factors by obtaining the soft documents of this les ombres de la nuit inta c grale 3 le plaisir d

les ombres de la nuit intégrale 3 le plaisir d un prince le - Apr 10 2023

web les ombres de la nuit intégrale 3 le plaisir d un prince le démon des ténèbres la prophétie du guerrier by kresley cole may 2nd 2020 nuit blanche 2013 5 octobre

[les ombres de la nuit youtube](#) - Sep 03 2022

web apr 14 2016 provided to youtube by voice of beirutles ombres de la nuit daniel stan rol guy thomas guy thomaselle a l air d un tango voice of beirutreleased on 1

les ombres de la nuit intégrale 3 le plaisir d un prince le - Jan 27 2022

web les ombres de la nuit intégrale 3 le plaisir d un prince le démon des ténèbres la prophétie du guerrier by kresley cole bredecran 120211 lecture assia djebar

[les ombres de la nuit intégrale 3 le plaisir d un prince le](#) - Aug 14 2023

web les ombres de la nuit intégrale 3 le plaisir d un prince le démon des ténèbres la prophétie du guerrier by kresley cole valrian and laureline la maison de la nuit t 1

les ombres de la nuit intégrale 3 le plaisir d un prince le - Sep 22 2021

web les ombres de la nuit intégrale 3 le plaisir d un prince le démon des ténèbres la prophétie du guerrier by kresley cole les

312 meilleures images de jeveuxlire livre

free les ombres de la nuit inta c grale 3 le plaisir d - Mar 29 2022

web les ombres de la nuit inta c grale 3 le plaisir d lecons sur la theorie generale des surfaces et les applications jul 14 2021

united states treaties and other

les ombres de la nuit intégrale 3 le plaisir d un prince le - Jul 01 2022

web les ombres de la nuit intégrale 3 le plaisir d un prince le démon des ténèbres la prophétie du guerrier by kresley cole

ebooks gratuit gt epub gratuit untitled

les ombres de la nuit intégrale 3 le plaisir d un prince le - Oct 24 2021

web jul 29 2023 les ombres de la nuit intégrale 3 le plaisir d un prince le démon des ténèbres la prophétie du guerrier by

kresley cole les 41 meilleures images de hall

york hvac schematic diagrams wiring diagram - Apr 13 2022

web jun 7 2022 at the core of york hvac schematic diagrams are simple diagrams that provide information about all the

components of the hvac system including their sizes and locations they also indicate the relative positions of the various

components and show the relationships between them

york champion series technical manual pdf download manualslib - Feb 09 2022

web 036 21311 003 a 0104 field wiring diagram thermostat unit terminal strip note minimum wire size of 18 awg heat

anticipator wire should be used for all field should be set at 0 25 installed 24 volt wire

york air conditioning wiring diagrams wiring draw and - Jul 17 2022

web mar 8 2022 most york air conditioning wiring diagrams include colored lines that represent the wires running between

the components in addition to the color of the wiring the diagrams also show the size and type of wire used for each

connection

york heat pump thermostat wiring diagram collection - Jan 23 2023

web jul 30 2018 assortment of york heat pump thermostat wiring diagram it is possible to download totally free please

download these york heat pump thermostat wiring diagram by using the download button or right click on selected image

then use save image menu

thermostat wiring diagrams quality hvac guides 101 - May 15 2022

web thermostat wiring diagrams with the top thermostat wiring diagram showing an air conditioning system the second

wiring diagram showing a heat pump system finally the third thermostat diagram showing the average type of split system

with an air conditioner or gas or oil furnace used for heating

residential thermostats and controls york - Sep 18 2022

web programmable thermostats and controls residential hvac york increase your comfort at home with york s smart thermostats energy efficient thermostats thermostat control products wi fi thermostats and more find a dealer

[heat pump thermostat wiring diagrams and color code](#) - Sep 30 2023

web mar 17 2023 heat pump thermostat wiring diagrams and color code march 17 2023 rene langer knowing how to wire a heat pump thermostat makes it easy to get your system running this page includes a heat pump thermostat color code wiring diagram to assist you as you wire your single stage or 2 stage heat pump thermostat

[york heat pump wiring diagram gallery faceitsalon com](#) - Feb 21 2023

web jul 30 2018 york heat pump wiring diagram gallery york heat pump wiring diagram what s wiring diagram a wiring diagram is a type of schematic which uses abstract

[yhjf60 york heat pump wiring diagram ghac](#) - Apr 25 2023

web jan 6 2017 schedule the visionpro thermostat is pre configured as programmable and has a default schedule with all temperatures set for 68 deg heat 74 deg cool however the thermostat has the option to be programmable or non programmable

[york heat pump wiring diagram wiring diagram](#) - Jun 15 2022

web jan 21 2023 york heat pump wiring diagrams are typically well organized and are classified by type such as electrical ventilation cooling and heating these diagrams will also provide a list of components their location and how they are connected

[york heat pump user manuals download manualslib](#) - Jun 27 2023

web download 972 york heat pump pdf manuals user manuals york heat pump operating guides and service manuals

[york heat pump compatible thermostat wiring diagram](#) - Aug 18 2022

web jan 29 2021 york heat pump compatible thermostat wiring diagram york heat pump compatible thermostat wiring diagram from expressoverstock com to properly read a wiring diagram one has to know

[york thermostat user s and service manual pdf](#) - Jul 29 2023

web view and download york thermostat user s and service manual online single package air conditioner gas electric thermostat thermostat pdf manual download

[york heat pump wiring diagram diagram board](#) - Dec 22 2022

web apr 8 2022 york heat pump wiring diagrams provide detailed information about the wiring connections between the components of a york system including all the necessary connections to keep the heat pump running smoothly having the correct wiring diagram is key to making sure your heat pump is up and running properly

[york heat pump thermostat wiring diagram mavriteglobal com](#) - Mar 13 2022

web york heat pump thermostat wiring diagram short cycling of compressor will shorten its lifetime in heat pump system there are at least 8 wires that need to be connected to the thermostat for proper operation

heat pump thermostat wiring explained colors terminals youtube - Mar 25 2023

web i show the low voltage thermostat wiring diagram for a heat pump with electric resistance strip heating in the air handler i discuss the color code and volt

wiring diagram for york heat pump to nest thermostat - Aug 30 2023

web jan 28 2023 nest assumes that your y1 wire will be used to activate 1st stage heating and cooling for your heat pump 4 wire honeywell thermostat wiring g fan green wire r 24 vac rc and r or rh red wire y compressor air conditioner yellow wire w heat white wire note a previous installer may have used a different set of color

heat pump thermostat wiring chart diagram hvac - May 27 2023

web heat pump thermostat wiring chart diagram the basic heat pump wiring for a heat pump thermostat is illustrated here it corresponds to the chart below to explain the thermostat terminal functions before uninstalling the old thermostat take a picture of the wiring with your cell phone before removing the wires this way you have a reference

heat pump thermostat wiring diagram today s homeowner - Nov 20 2022

web may 12 2023 heat pump thermostat wiring diagram author alora bopray reviewer roxanne downer updated on september 14 2023 if you are looking for a better understanding of heat pump thermostat wiring here is an example of a typical electronic type heat pump control wiring that is located inside your house

york retail system specific wiring diagrams virginiaair - Oct 20 2022

web york retail system specific wiring diagrams used on modulating furnaces when there is a single stage thermostat for cooling wd50 wd51 variable speed air handler x13 motor honeywell vp 8000 2 stage hp if 10 wires between the air handler and the heat pump is not possible w1 and w2 can be combined at the ah