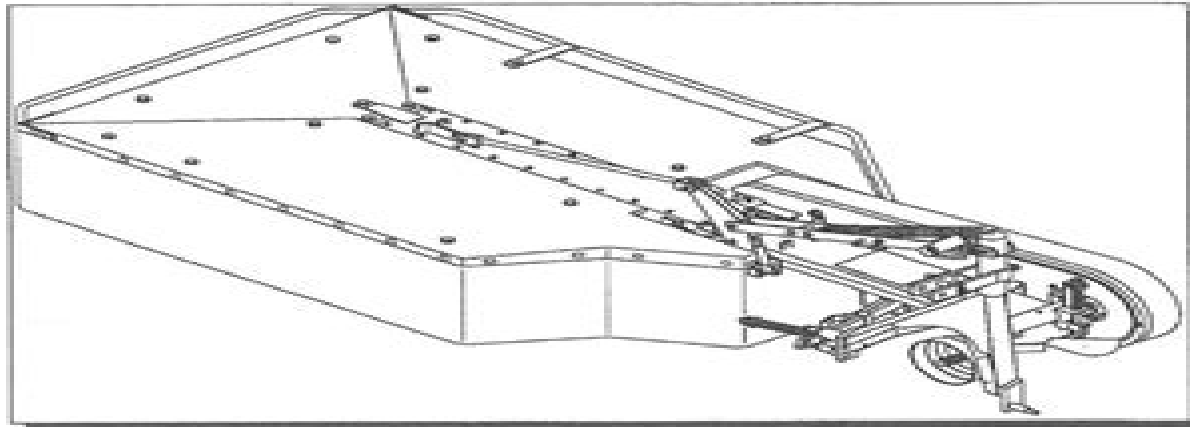


# Fransgård

---

## TR-165

Rotary mower



From serial number : 130523

# Manual For A Fransgard Tedder

**Yan Bai**



## **Manual For A Fransgard Tedder:**

Recognizing the quirk ways to get this book **Manual For A Fransgard Tedder** is additionally useful. You have remained in right site to begin getting this info. get the Manual For A Fransgard Tedder partner that we pay for here and check out the link.

You could purchase guide Manual For A Fransgard Tedder or acquire it as soon as feasible. You could quickly download this Manual For A Fransgard Tedder after getting deal. So, similar to you require the book swiftly, you can straight acquire it. Its suitably completely simple and consequently fats, isnt it? You have to favor to in this spread

<https://staging.conocer.cide.edu/files/scholarship/HomePages/Histoire%20Politique%20Des%20Juifs%20De%20France%20Entre%20Universalisme%20Et%20Particularisme.pdf>

## **Table of Contents Manual For A Fransgard Tedder**

1. Understanding the eBook Manual For A Fransgard Tedder
  - The Rise of Digital Reading Manual For A Fransgard Tedder
  - Advantages of eBooks Over Traditional Books
2. Identifying Manual For A Fransgard Tedder
  - Exploring Different Genres
  - Considering Fiction vs. Non-Fiction
  - Determining Your Reading Goals
3. Choosing the Right eBook Platform
  - Popular eBook Platforms
  - Features to Look for in an Manual For A Fransgard Tedder
  - User-Friendly Interface
4. Exploring eBook Recommendations from Manual For A Fransgard Tedder
  - Personalized Recommendations
  - Manual For A Fransgard Tedder User Reviews and Ratings
  - Manual For A Fransgard Tedder and Bestseller Lists

5. Accessing Manual For A Fransgard Tedder Free and Paid eBooks
  - Manual For A Fransgard Tedder Public Domain eBooks
  - Manual For A Fransgard Tedder eBook Subscription Services
  - Manual For A Fransgard Tedder Budget-Friendly Options
6. Navigating Manual For A Fransgard Tedder eBook Formats
  - ePub, PDF, MOBI, and More
  - Manual For A Fransgard Tedder Compatibility with Devices
  - Manual For A Fransgard Tedder Enhanced eBook Features
7. Enhancing Your Reading Experience
  - Adjustable Fonts and Text Sizes of Manual For A Fransgard Tedder
  - Highlighting and Note-Taking Manual For A Fransgard Tedder
  - Interactive Elements Manual For A Fransgard Tedder
8. Staying Engaged with Manual For A Fransgard Tedder
  - Joining Online Reading Communities
  - Participating in Virtual Book Clubs
  - Following Authors and Publishers Manual For A Fransgard Tedder
9. Balancing eBooks and Physical Books Manual For A Fransgard Tedder
  - Benefits of a Digital Library
  - Creating a Diverse Reading Collection Manual For A Fransgard Tedder
10. Overcoming Reading Challenges
  - Dealing with Digital Eye Strain
  - Minimizing Distractions
  - Managing Screen Time
11. Cultivating a Reading Routine Manual For A Fransgard Tedder
  - Setting Reading Goals Manual For A Fransgard Tedder
  - Carving Out Dedicated Reading Time
12. Sourcing Reliable Information of Manual For A Fransgard Tedder
  - Fact-Checking eBook Content of Manual For A Fransgard Tedder
  - Distinguishing Credible Sources
13. Promoting Lifelong Learning

- Utilizing eBooks for Skill Development
  - Exploring Educational eBooks
14. Embracing eBook Trends
- Integration of Multimedia Elements
  - Interactive and Gamified eBooks

### **Manual For A Fransgard Tedder Introduction**

Free PDF Books and Manuals for Download: Unlocking Knowledge at Your Fingertips In today's fast-paced digital age, obtaining valuable knowledge has become easier than ever. Thanks to the internet, a vast array of books and manuals are now available for free download in PDF format. Whether you are a student, professional, or simply an avid reader, this treasure trove of downloadable resources offers a wealth of information, conveniently accessible anytime, anywhere. The advent of online libraries and platforms dedicated to sharing knowledge has revolutionized the way we consume information. No longer confined to physical libraries or bookstores, readers can now access an extensive collection of digital books and manuals with just a few clicks. These resources, available in PDF, Microsoft Word, and PowerPoint formats, cater to a wide range of interests, including literature, technology, science, history, and much more. One notable platform where you can explore and download free Manual For A Fransgard Tedder PDF books and manuals is the internet's largest free library. Hosted online, this catalog compiles a vast assortment of documents, making it a veritable goldmine of knowledge. With its easy-to-use website interface and customizable PDF generator, this platform offers a user-friendly experience, allowing individuals to effortlessly navigate and access the information they seek. The availability of free PDF books and manuals on this platform demonstrates its commitment to democratizing education and empowering individuals with the tools needed to succeed in their chosen fields. It allows anyone, regardless of their background or financial limitations, to expand their horizons and gain insights from experts in various disciplines. One of the most significant advantages of downloading PDF books and manuals lies in their portability. Unlike physical copies, digital books can be stored and carried on a single device, such as a tablet or smartphone, saving valuable space and weight. This convenience makes it possible for readers to have their entire library at their fingertips, whether they are commuting, traveling, or simply enjoying a lazy afternoon at home. Additionally, digital files are easily searchable, enabling readers to locate specific information within seconds. With a few keystrokes, users can search for keywords, topics, or phrases, making research and finding relevant information a breeze. This efficiency saves time and effort, streamlining the learning process and allowing individuals to focus on extracting the information they need. Furthermore, the availability of free PDF books and manuals fosters a culture of continuous learning. By removing financial barriers, more people can access educational resources and pursue lifelong learning, contributing to

personal growth and professional development. This democratization of knowledge promotes intellectual curiosity and empowers individuals to become lifelong learners, promoting progress and innovation in various fields. It is worth noting that while accessing free Manual For A Fransgard Tedder PDF books and manuals is convenient and cost-effective, it is vital to respect copyright laws and intellectual property rights. Platforms offering free downloads often operate within legal boundaries, ensuring that the materials they provide are either in the public domain or authorized for distribution. By adhering to copyright laws, users can enjoy the benefits of free access to knowledge while supporting the authors and publishers who make these resources available. In conclusion, the availability of Manual For A Fransgard Tedder free PDF books and manuals for download has revolutionized the way we access and consume knowledge. With just a few clicks, individuals can explore a vast collection of resources across different disciplines, all free of charge. This accessibility empowers individuals to become lifelong learners, contributing to personal growth, professional development, and the advancement of society as a whole. So why not unlock a world of knowledge today? Start exploring the vast sea of free PDF books and manuals waiting to be discovered right at your fingertips.

### **FAQs About Manual For A Fransgard Tedder Books**

**What is a Manual For A Fransgard Tedder PDF?** A PDF (Portable Document Format) is a file format developed by Adobe that preserves the layout and formatting of a document, regardless of the software, hardware, or operating system used to view or print it. **How do I create a Manual For A Fransgard Tedder PDF?** There are several ways to create a PDF: Use software like Adobe Acrobat, Microsoft Word, or Google Docs, which often have built-in PDF creation tools. Print to PDF: Many applications and operating systems have a "Print to PDF" option that allows you to save a document as a PDF file instead of printing it on paper. Online converters: There are various online tools that can convert different file types to PDF. **How do I edit a Manual For A Fransgard Tedder PDF?** Editing a PDF can be done with software like Adobe Acrobat, which allows direct editing of text, images, and other elements within the PDF. Some free tools, like PDFescape or Smallpdf, also offer basic editing capabilities. **How do I convert a Manual For A Fransgard Tedder PDF to another file format?** There are multiple ways to convert a PDF to another format: Use online converters like Smallpdf, Zamzar, or Adobe Acrobats export feature to convert PDFs to formats like Word, Excel, JPEG, etc. Software like Adobe Acrobat, Microsoft Word, or other PDF editors may have options to export or save PDFs in different formats. **How do I password-protect a Manual For A Fransgard Tedder PDF?** Most PDF editing software allows you to add password protection. In Adobe Acrobat, for instance, you can go to "File" -> "Properties" -> "Security" to set a password to restrict access or editing capabilities. Are there any free alternatives to Adobe Acrobat for working with PDFs? Yes, there are many free alternatives for working with PDFs, such

as: LibreOffice: Offers PDF editing features. PDFsam: Allows splitting, merging, and editing PDFs. Foxit Reader: Provides basic PDF viewing and editing capabilities. How do I compress a PDF file? You can use online tools like Smallpdf, ILovePDF, or desktop software like Adobe Acrobat to compress PDF files without significant quality loss. Compression reduces the file size, making it easier to share and download. Can I fill out forms in a PDF file? Yes, most PDF viewers/editors like Adobe Acrobat, Preview (on Mac), or various online tools allow you to fill out forms in PDF files by selecting text fields and entering information. Are there any restrictions when working with PDFs? Some PDFs might have restrictions set by their creator, such as password protection, editing restrictions, or print restrictions. Breaking these restrictions might require specific software or tools, which may or may not be legal depending on the circumstances and local laws.

### **Find Manual For A Fransgard Tedder :**

*histoire politique des juifs de france entre universalisme et particularisme*  
*his one desire*

**his indecent training english edition**

history exemplar grade 12 caps history

**histoire dogme et critique dans la crise moderniste**

**history film response rubrics**

historical cartoons for kids

*history paper november 2014*

histoire de la chine jusquen les grands articles duniversalis

hirn ist aus german edition

**history of the peloponnesian war**

his flower queen queen quartette

history of the britons

**hirohitos war the pacific war 1941 1945**

**hill rom man112 service manual**

### **Manual For A Fransgard Tedder :**

Digital Signal Processing Solution 2e li tan Instructor's Guide to Accompany. Digital Signal Processing: Fundamentals and Applications. Li Tan. Jean Jiang. Chapter 2. 2. 2 1500 2 1000. 2 1500 2 1500. 5 cos ... Solutions Digital Signal Processing 2e



Li Tan | PDF Feb 21, 2017 — Digital Signal Processing: Fundamentals and Applications. Li Tan Jean Jiang Instructors Guide to Accompany to Digital Signal Processing, ... 340671291-Solutions-Digital-Signal-Processing-2e-Li-Tan. ... Instructor's Guide to Accompany to Digital Signal Processing, Fundamentals and Applications, Second Edition 6 () Yff kHz 0.5 0.5 3 3 Aliasing noise c. The ... Digital signal processing second edition solution manual ... Sep 2, 2022 — Digital signal processing second edition solution manual by Li Tan and Jean Jiang. Digital Signal Processing Solution Manual Author: Jean Jiang, Li Tan. 15 solutions available. Frequently asked questions ... How is Chegg Study better than a printed Digital Signal Processing student ... Fundamentals and Applications (3rd Ed., Li Tan, Jean Jiang) Mar 15, 2020 — Solution Manual Digital Signal Processing : Fundamentals and Applications (3rd Ed., Li Tan, Jean Jiang). 40 views. Skip to first unread ... [Li Tan, Jean Jiang] Digital Signal Processing Fu(BookZZ. ... Sketch the spectrum for the sampled signal from 0 to 20 kHz. 2.2 Signal Reconstruction 21. Solution: a. Since the analog signal is sinusoid with a peak value of ... Digital Signal Processing: Fundamentals and Applications Li Tan Ph.D. Electrical Engineering University of New Mexico and 1 more. Li ... Most books I need to consult a solution manual or chegg for process and ... Psicología: Ideología y ciencia (Spanish Edition) Psicología: ideología y ciencia, un título para sugerir que la psicología es campo de batalla; toma de partido en un combate que no podrá zanjarse mediante ... psicología: ideología y ciencia Sabíamos ya que la psicología estaba ideologizada pero el nuestro era un saber no organizado. Psicología: ideología y ciencia aclara confusiones y dudas de. psicología: ideología y ciencia CÓMO SE CONSTITUYE UNA CIENCIA? 11 aceptamos que la ciencia es ciencia de una ideología a la que crítica y explica, no puede ser menos cierto que para que ... Psicología: ideología y ciencia Nov 12, 2022 — Psicología: ideología y ciencia · Idioma Español · Fecha de publicación 2000 · ISBN 9789682317323. Psicología: Ideología y ciencia - Marcelo Pasternac, Gloria ... May 28, 2003 — Psicología: ideología y ciencia, un título para sugerir que la psicología es campo de batalla; toma de partido en un combate que no podrá ... Psicología: Ideología y Ciencia by Néstor A. Braunstein Como bien lo describen los autores y autoras, psicología: ideología y ciencia es una lectura sintomática de la psicología académica postulada como una ciencia, ... Psicología: ideología y ciencia Este ensayo lo he fundamentado en el libro psicología: ideología y ciencia. Ya que esta obra contiene un gran número de reflexiones y estudios profundos que ... (DOC) PSICOLOGÍA IDEOLOGÍA Y CIENCIA | Ruth Lujano PSICOLOGÍA IDEOLOGÍA Y CIENCIA Braunstein argumenta que de ser la psicología una ciencia debe antes definir su objeto de estudio ya que este es la primer “ ... PSICOLOGÍA: IDEOLOGÍA Y CIENCIA by MB Alfonso · 2019 — En 1975, la editorial Siglo XXI editó en México Psicología: ideología y ciencia, una publicación colectiva firmada por cuatro psiquiatras y psicoanalistas ... Braunstein, Néstor y Otros - Psicología, Ideología y Ciencia En su discurso oficial la psicologa se arroga dos objetos: la conciencia y la conducta. ... Se trata, en otras palabras, de representaciones ideológicas (en el ... Push Mowers for Sale - PowerPro Equipment Searching for a self propelled lawn mower? PowerPro Equipment has all of the best push mower brands to choose from - schedule a test drive today! Outdoor Power Equipment Company PA & NJ PowerPro is a lawn

equipment supplier providing everything for both residential & commercial projects. Browse our inventory now! K-Gro PowerPro Lawnmower Repair The K-Gro Power Pro Push mower, manufactured by Modern Tool and Die Company. K-Gro PowerPro Lawnmower troubleshooting, repair, and service manuals. K-grow or Power Pro riding mowers Oct 7, 2004 — I have a PowerPro 42 in riding mower and i'm trying to find new blades or at least some info on who or where they are sold. My best guess is K- ... K-Gro PowerPro Repair The K-Gro PowerPro is a riding lawnmower with a 12 or 18 HP engine option. This rideable lawnmower was produced by MTD and Murray for K-Mart in 1997. The 12 HP ... Pro Power - Professional Power Products Pro Power is family owned and operated with 3 active ... Lawn Mowers · Spartan Mowers · Parts · Service · Articles · Contact Us · Promotions · Pro Power © Go Pro ... PowerPro Riding Mowers Parts with Diagrams All models of PowerPro Riding Mowers. Fix it fast with OEM parts list and diagrams. Free Power Pro Riding Mower Part 1 - YouTube PowerPro Lawn Mower, Quantum 5 HP E... PowerPro Lawn Mower, Quantum 5 HP Engine, Model# RBSP225QAM, Serial# 051696M 002111. Details; Terms; Directions; Shipping. Please call Mike at 612-432-1321 with ...