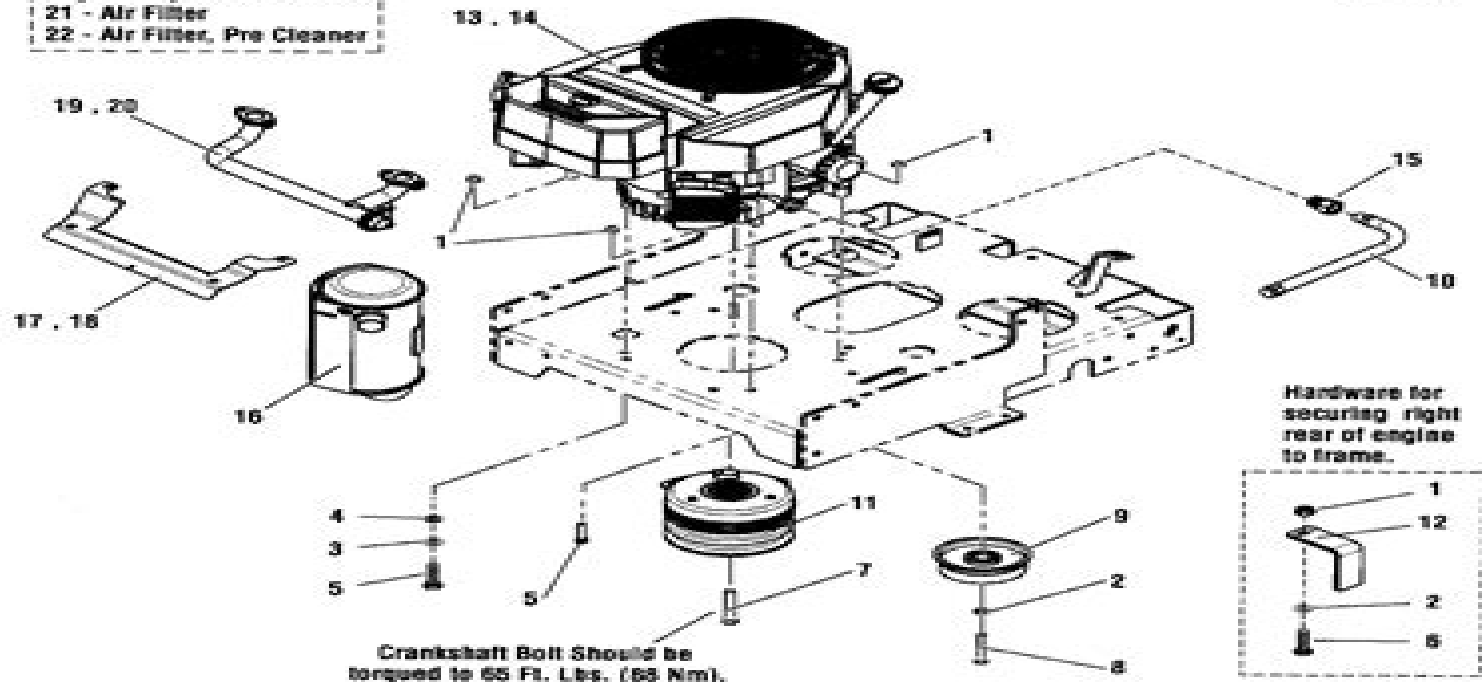


NOTE: Unless noted otherwise, use the standard hardware torque specification chart.

5301065
5301083

Engine Replacement Parts
21 - Air Filter
22 - Air Filter, Pre Cleaner



Kawasaki 17hp Engine Manual

Ying Liu



Kawasaki 17hp Engine Manual:

Getting the books **Kawasaki 17hp Engine Manual** now is not type of challenging means. You could not isolated going taking into account ebook accretion or library or borrowing from your contacts to right of entry them. This is an enormously simple means to specifically acquire lead by on-line. This online notice Kawasaki 17hp Engine Manual can be one of the options to accompany you like having other time.

It will not waste your time. admit me, the e-book will utterly atmosphere you further thing to read. Just invest little times to way in this on-line declaration **Kawasaki 17hp Engine Manual** as with ease as review them wherever you are now.

https://staging.conocer.cide.edu/book/browse/HomePages/little_comedy_and_other_stories.pdf

Table of Contents Kawasaki 17hp Engine Manual

1. Understanding the eBook Kawasaki 17hp Engine Manual
 - The Rise of Digital Reading Kawasaki 17hp Engine Manual
 - Advantages of eBooks Over Traditional Books
2. Identifying Kawasaki 17hp Engine Manual
 - Exploring Different Genres
 - Considering Fiction vs. Non-Fiction
 - Determining Your Reading Goals
3. Choosing the Right eBook Platform
 - Popular eBook Platforms
 - Features to Look for in an Kawasaki 17hp Engine Manual
 - User-Friendly Interface
4. Exploring eBook Recommendations from Kawasaki 17hp Engine Manual
 - Personalized Recommendations
 - Kawasaki 17hp Engine Manual User Reviews and Ratings
 - Kawasaki 17hp Engine Manual and Bestseller Lists
5. Accessing Kawasaki 17hp Engine Manual Free and Paid eBooks

- Kawasaki 17hp Engine Manual Public Domain eBooks
 - Kawasaki 17hp Engine Manual eBook Subscription Services
 - Kawasaki 17hp Engine Manual Budget-Friendly Options
6. Navigating Kawasaki 17hp Engine Manual eBook Formats
 - ePub, PDF, MOBI, and More
 - Kawasaki 17hp Engine Manual Compatibility with Devices
 - Kawasaki 17hp Engine Manual Enhanced eBook Features
 7. Enhancing Your Reading Experience
 - Adjustable Fonts and Text Sizes of Kawasaki 17hp Engine Manual
 - Highlighting and Note-Taking Kawasaki 17hp Engine Manual
 - Interactive Elements Kawasaki 17hp Engine Manual
 8. Staying Engaged with Kawasaki 17hp Engine Manual
 - Joining Online Reading Communities
 - Participating in Virtual Book Clubs
 - Following Authors and Publishers Kawasaki 17hp Engine Manual
 9. Balancing eBooks and Physical Books Kawasaki 17hp Engine Manual
 - Benefits of a Digital Library
 - Creating a Diverse Reading Collection Kawasaki 17hp Engine Manual
 10. Overcoming Reading Challenges
 - Dealing with Digital Eye Strain
 - Minimizing Distractions
 - Managing Screen Time
 11. Cultivating a Reading Routine Kawasaki 17hp Engine Manual
 - Setting Reading Goals Kawasaki 17hp Engine Manual
 - Carving Out Dedicated Reading Time
 12. Sourcing Reliable Information of Kawasaki 17hp Engine Manual
 - Fact-Checking eBook Content of Kawasaki 17hp Engine Manual
 - Distinguishing Credible Sources
 13. Promoting Lifelong Learning
 - Utilizing eBooks for Skill Development

- Exploring Educational eBooks
14. Embracing eBook Trends
- Integration of Multimedia Elements
 - Interactive and Gamified eBooks

Kawasaki 17hp Engine Manual Introduction

Free PDF Books and Manuals for Download: Unlocking Knowledge at Your Fingertips In today's fast-paced digital age, obtaining valuable knowledge has become easier than ever. Thanks to the internet, a vast array of books and manuals are now available for free download in PDF format. Whether you are a student, professional, or simply an avid reader, this treasure trove of downloadable resources offers a wealth of information, conveniently accessible anytime, anywhere. The advent of online libraries and platforms dedicated to sharing knowledge has revolutionized the way we consume information. No longer confined to physical libraries or bookstores, readers can now access an extensive collection of digital books and manuals with just a few clicks. These resources, available in PDF, Microsoft Word, and PowerPoint formats, cater to a wide range of interests, including literature, technology, science, history, and much more. One notable platform where you can explore and download free Kawasaki 17hp Engine Manual PDF books and manuals is the internet's largest free library. Hosted online, this catalog compiles a vast assortment of documents, making it a veritable goldmine of knowledge. With its easy-to-use website interface and customizable PDF generator, this platform offers a user-friendly experience, allowing individuals to effortlessly navigate and access the information they seek. The availability of free PDF books and manuals on this platform demonstrates its commitment to democratizing education and empowering individuals with the tools needed to succeed in their chosen fields. It allows anyone, regardless of their background or financial limitations, to expand their horizons and gain insights from experts in various disciplines. One of the most significant advantages of downloading PDF books and manuals lies in their portability. Unlike physical copies, digital books can be stored and carried on a single device, such as a tablet or smartphone, saving valuable space and weight. This convenience makes it possible for readers to have their entire library at their fingertips, whether they are commuting, traveling, or simply enjoying a lazy afternoon at home. Additionally, digital files are easily searchable, enabling readers to locate specific information within seconds. With a few keystrokes, users can search for keywords, topics, or phrases, making research and finding relevant information a breeze. This efficiency saves time and effort, streamlining the learning process and allowing individuals to focus on extracting the information they need. Furthermore, the availability of free PDF books and manuals fosters a culture of continuous learning. By removing financial barriers, more people can access educational resources and pursue lifelong learning, contributing to personal growth and professional development. This democratization of knowledge promotes intellectual curiosity and

empowers individuals to become lifelong learners, promoting progress and innovation in various fields. It is worth noting that while accessing free Kawasaki 17hp Engine Manual PDF books and manuals is convenient and cost-effective, it is vital to respect copyright laws and intellectual property rights. Platforms offering free downloads often operate within legal boundaries, ensuring that the materials they provide are either in the public domain or authorized for distribution. By adhering to copyright laws, users can enjoy the benefits of free access to knowledge while supporting the authors and publishers who make these resources available. In conclusion, the availability of Kawasaki 17hp Engine Manual free PDF books and manuals for download has revolutionized the way we access and consume knowledge. With just a few clicks, individuals can explore a vast collection of resources across different disciplines, all free of charge. This accessibility empowers individuals to become lifelong learners, contributing to personal growth, professional development, and the advancement of society as a whole. So why not unlock a world of knowledge today? Start exploring the vast sea of free PDF books and manuals waiting to be discovered right at your fingertips.

FAQs About Kawasaki 17hp Engine Manual Books

What is a Kawasaki 17hp Engine Manual PDF? A PDF (Portable Document Format) is a file format developed by Adobe that preserves the layout and formatting of a document, regardless of the software, hardware, or operating system used to view or print it.

How do I create a Kawasaki 17hp Engine Manual PDF? There are several ways to create a PDF: Use software like Adobe Acrobat, Microsoft Word, or Google Docs, which often have built-in PDF creation tools. Print to PDF: Many applications and operating systems have a "Print to PDF" option that allows you to save a document as a PDF file instead of printing it on paper. Online converters: There are various online tools that can convert different file types to PDF.

How do I edit a Kawasaki 17hp Engine Manual PDF? Editing a PDF can be done with software like Adobe Acrobat, which allows direct editing of text, images, and other elements within the PDF. Some free tools, like PDFescape or Smallpdf, also offer basic editing capabilities. **How do I convert a Kawasaki 17hp Engine Manual PDF to another file format?**

There are multiple ways to convert a PDF to another format: Use online converters like Smallpdf, Zamzar, or Adobe Acrobat's export feature to convert PDFs to formats like Word, Excel, JPEG, etc. Software like Adobe Acrobat, Microsoft Word, or other PDF editors may have options to export or save PDFs in different formats. **How do I password-protect a Kawasaki 17hp Engine Manual PDF?**

Most PDF editing software allows you to add password protection. In Adobe Acrobat, for instance, you can go to "File" -> "Properties" -> "Security" to set a password to restrict access or editing capabilities. Are there any free alternatives to Adobe Acrobat for working with PDFs? Yes, there are many free alternatives for working with PDFs, such as: LibreOffice: Offers PDF editing features. PDFsam: Allows splitting, merging, and editing PDFs. Foxit Reader: Provides

basic PDF viewing and editing capabilities. How do I compress a PDF file? You can use online tools like Smallpdf, ILovePDF, or desktop software like Adobe Acrobat to compress PDF files without significant quality loss. Compression reduces the file size, making it easier to share and download. Can I fill out forms in a PDF file? Yes, most PDF viewers/editors like Adobe Acrobat, Preview (on Mac), or various online tools allow you to fill out forms in PDF files by selecting text fields and entering information. Are there any restrictions when working with PDFs? Some PDFs might have restrictions set by their creator, such as password protection, editing restrictions, or print restrictions. Breaking these restrictions might require specific software or tools, which may or may not be legal depending on the circumstances and local laws.

Find Kawasaki 17hp Engine Manual :

[little comedy and other stories](#)

[literary reminiscences](#)

literature of the supernatural

little irish baking

[little bees-hen cant help it](#)

little flower

little colonels christmas vacation

literature suppressed on religious grounds

little dogs on the prairie yippie ti yay happy birthday

[literature of the old testament](#)

little dragon from peking

little men dodo press

little dreams of happiness

[little capoeria](#)

little champ

Kawasaki 17hp Engine Manual :

The Depression and Bipolar Disorder Update (Disease ... Amazon.com: The Depression and Bipolar Disorder Update (Disease Update): 9780766028012: Silverstein, Alvin, Silverstein, Virginia B., Nunn, ... The Depression and Bipolar Disorder Update (Disease ... The book includes practical sidebars and chapters highlight individuals who struggle with these disorders.

Depression can happen to anyone at any time, making ... An Update on Treatment of Bipolar Depression Aug 11, 2020 — Nierenberg's primary research interests are treatment resistant depression, bipolar depression, and the longitudinal course of mood disorders. Bipolar depression: a major unsolved challenge - PMC by RJ Baldessarini · 2020 · Cited by 151 — Depression in bipolar disorder (BD) patients presents major clinical challenges. As the predominant psychopathology even in treated BD, ... Depression and Bipolar Support Alliance: DBSA Living with depression or bipolar disorder? Find free support groups, resources, and wellness tools. Management of Bipolar Depression - PMC by JS Chang · 2011 · Cited by 10 — To date, bipolar depression is often misdiagnosed and ineffectively managed both for acute episodes and residual symptoms. An Update on Treatment of Bipolar Depression - YouTube Depression Preceding Diagnosis of Bipolar Disorder by C O'Donovan · 2020 · Cited by 44 — This paper focuses on depression that precedes an onset of manifest bipolar disorder as early stage bipolar disorder. First, we review how ... Depressive disorder (depression) Mar 31, 2023 — Depressive disorder (also known as depression) is a common mental disorder. It involves a depressed mood or loss of pleasure or interest in ... servsafe module 4 Flashcards The path that food takes in an operation. Purchasing, receiving, storing, and service. Future Smart: Investing in You (Module 4) | 1.3K plays Future Smart: Investing in You (Module 4) quiz for 6th grade students. Find other quizzes for Social Studies and more on Quizizz for free! Module 4 Exam Flashcards Study with Quizlet and memorize flashcards containing terms like A schizophrenic client says, "I'm away for the day ... but don't think we should play ... Module 4 Exam Answers.pdf Module 4 is the practical associated knowledge test that is carried out at a DSA approved test centre. There is no driving required. Module 4 quiz On Studocu you find all the lecture notes, summaries and study guides you need to pass your exams with better grades. Need some help with a smart serve test. : r/askTO Hi all. Has anybody here who passed the smart serve test? I got a job where they require the smart serve card and I don't have one. Answer Key for Module 4 Unit B Quiz... Answer Key for Module 4 Unit B Quiz This quiz covers the governance of the national electric power transmission system, emerging technologies for improving ... TIP: Use study aids Oct 2, 2019 — This can help you when it comes time to review all of the information from the online tutorials, learning modules, practice quizzes, and job aid ... Tefl Module 4 Quiz Answers | ITTT Tefl Module 4 Quiz Answers · Is a level 4 TEFL certificate equivalent to a degree? - ITTT ITTT TEFL & TESOL · How many modules in a TEFL course? - ITTT ... Toyota Vellfire owner's manual Toyota Vellfire owner's manuals. Below you can find links to download for free the owner's manual of your Toyota Vellfire. Manuals from 2015 to 2015. ... Looking ... Owners Manual - Toyota Vellfire Description. Full Japanese to English translation Owners Manual. Covers Vellfire models - ANH20 ANH25 GGH20 GGH25. Storage wallet with service schedule ... Toyota Alphard and Toyota Vellfire Owners Handbooks ... Toyota Alphard Owners Club - Toyota Alphard and Toyota Vellfire owners handbooks / manuals. ... Toyota Vellfire Owners Handbook. The Toyota Alphard Owners Club Toyota Vellfire Owners Manual Pdf Toyota Vellfire Owners Manual Pdf. INTRODUCTION Toyota Vellfire Owners Manual Pdf .pdf. Owner's Manuals Learn all about your

Toyota in one place. The Toyota owner's manuals guide you through important features and functions with instructions you should know. Toyota Vellfire Owners Manual Instruction Item Title Toyota Vellfire Owners Manual Instruction. We are located in Japan. Owner's Manual | Customer Information Find your Toyota's owner's manual by using the search options on our website. You can read it online or download it to read offline whenever you want. Toyota - Vellfire Car Owners User Manual In English | 2008 Description. Toyota - Vellfire Car Owners User Manual In English | 2008 - 2011. Owners handbook for the Japanese Import model ANH 20W#, ANH 25W#, GGH 20W#, ... 8560 Toyota Vellfire Ggh20W Ggh25W Anh20W Anh25W ... 8560 Toyota Vellfire Ggh20W Ggh25W Anh20W Anh25W Instruction Manual 2010 April F ; Quantity. 1 available ; Item Number. 364238342882 ; Brand. Toyota Follow.