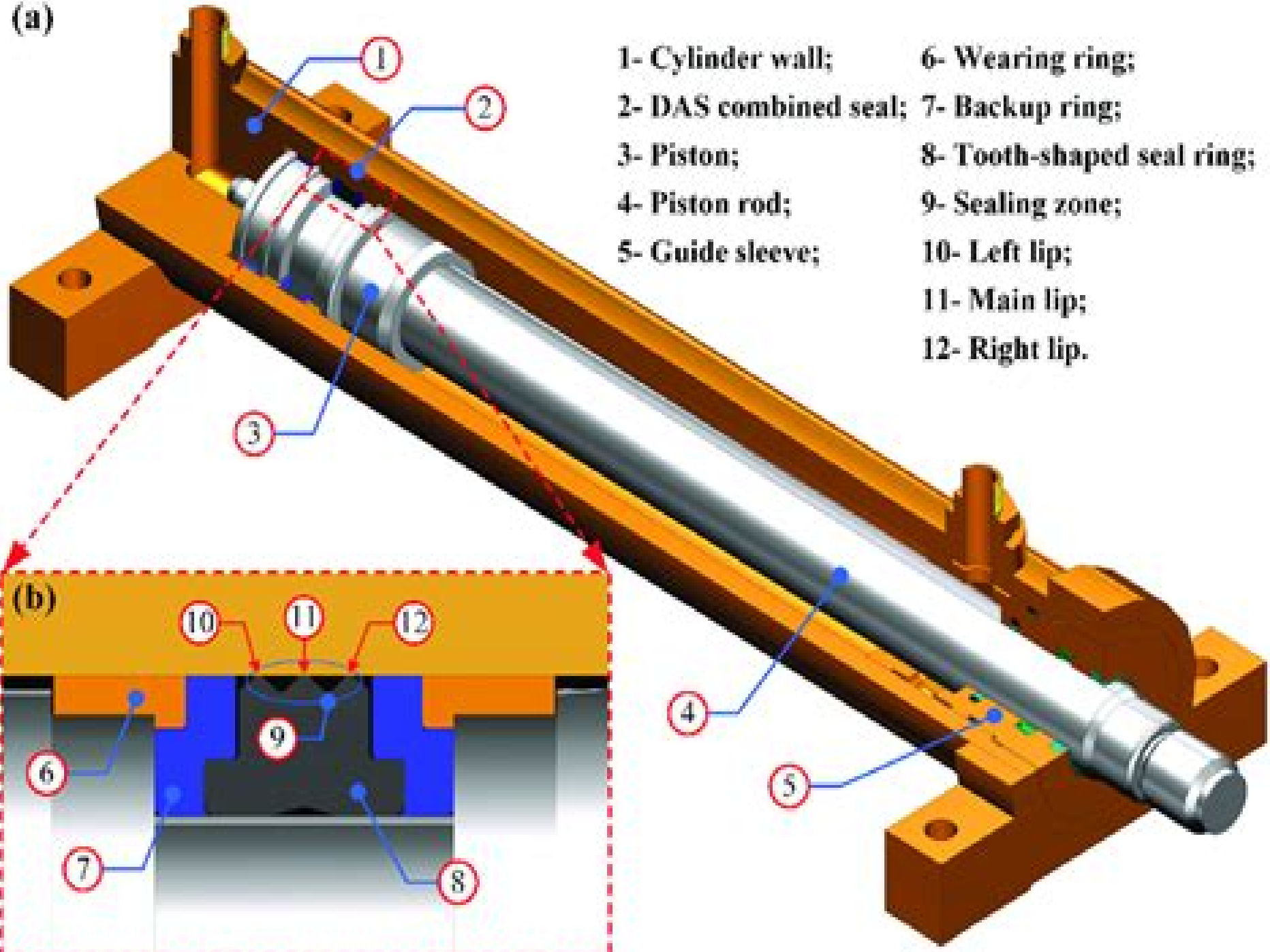
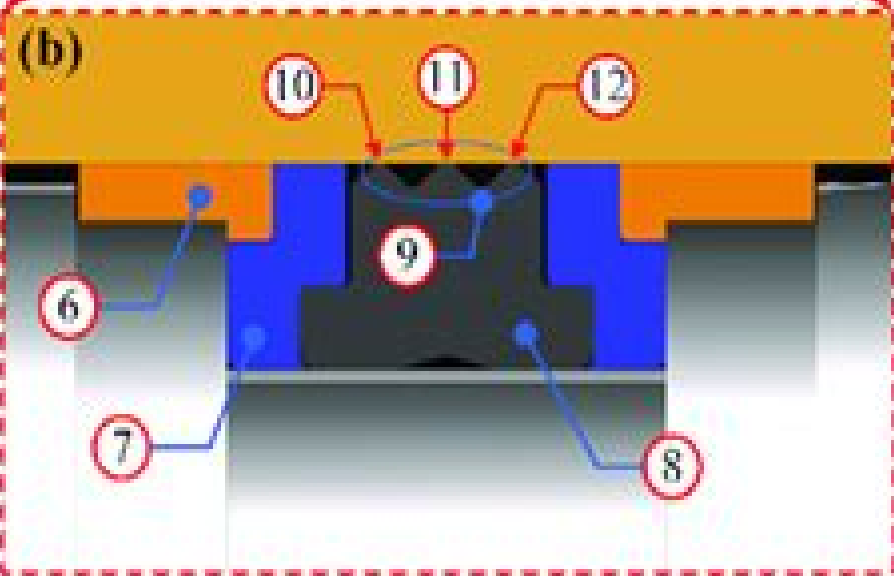


(a)



- 1- Cylinder wall;
- 2- DAS combined seal;
- 3- Piston;
- 4- Piston rod;
- 5- Guide sleeve;
- 6- Wearing ring;
- 7- Backup ring;
- 8- Tooth-shaped seal ring;
- 9- Sealing zone;
- 10- Left lip;
- 11- Main lip;
- 12- Right lip.

(b)



Hydraulic Manual Cylinder Safety Factor

**Thirumalaisamy P.
Velavancorresponding**



Hydraulic Manual Cylinder Safety Factor:

Adopting the Tune of Appearance: An Psychological Symphony within **Hydraulic Manual Cylinder Safety Factor**

In a world eaten by screens and the ceaseless chatter of instantaneous connection, the melodic beauty and mental symphony developed by the prepared word frequently fade in to the backdrop, eclipsed by the constant sound and interruptions that permeate our lives. However, nestled within the pages of **Hydraulic Manual Cylinder Safety Factor** a charming fictional treasure full of fresh thoughts, lies an immersive symphony waiting to be embraced. Crafted by a masterful composer of language, that captivating masterpiece conducts visitors on a mental trip, well unraveling the hidden songs and profound influence resonating within each carefully crafted phrase. Within the depths of this poignant analysis, we can investigate the book is main harmonies, analyze their enthralling writing type, and submit ourselves to the profound resonance that echoes in the depths of readers souls.

<https://staging.conocer.cide.edu/public/publication/HomePages/Manual%20For%20Cobra%209830%20Radar%20Detector.pdf>

Table of Contents Hydraulic Manual Cylinder Safety Factor

1. Understanding the eBook Hydraulic Manual Cylinder Safety Factor
 - The Rise of Digital Reading Hydraulic Manual Cylinder Safety Factor
 - Advantages of eBooks Over Traditional Books
2. Identifying Hydraulic Manual Cylinder Safety Factor
 - Exploring Different Genres
 - Considering Fiction vs. Non-Fiction
 - Determining Your Reading Goals
3. Choosing the Right eBook Platform
 - Popular eBook Platforms
 - Features to Look for in an Hydraulic Manual Cylinder Safety Factor
 - User-Friendly Interface
4. Exploring eBook Recommendations from Hydraulic Manual Cylinder Safety Factor

- Personalized Recommendations
 - Hydraulic Manual Cylinder Safety Factor User Reviews and Ratings
 - Hydraulic Manual Cylinder Safety Factor and Bestseller Lists
5. Accessing Hydraulic Manual Cylinder Safety Factor Free and Paid eBooks
 - Hydraulic Manual Cylinder Safety Factor Public Domain eBooks
 - Hydraulic Manual Cylinder Safety Factor eBook Subscription Services
 - Hydraulic Manual Cylinder Safety Factor Budget-Friendly Options
 6. Navigating Hydraulic Manual Cylinder Safety Factor eBook Formats
 - ePub, PDF, MOBI, and More
 - Hydraulic Manual Cylinder Safety Factor Compatibility with Devices
 - Hydraulic Manual Cylinder Safety Factor Enhanced eBook Features
 7. Enhancing Your Reading Experience
 - Adjustable Fonts and Text Sizes of Hydraulic Manual Cylinder Safety Factor
 - Highlighting and Note-Taking Hydraulic Manual Cylinder Safety Factor
 - Interactive Elements Hydraulic Manual Cylinder Safety Factor
 8. Staying Engaged with Hydraulic Manual Cylinder Safety Factor
 - Joining Online Reading Communities
 - Participating in Virtual Book Clubs
 - Following Authors and Publishers Hydraulic Manual Cylinder Safety Factor
 9. Balancing eBooks and Physical Books Hydraulic Manual Cylinder Safety Factor
 - Benefits of a Digital Library
 - Creating a Diverse Reading Collection Hydraulic Manual Cylinder Safety Factor
 10. Overcoming Reading Challenges
 - Dealing with Digital Eye Strain
 - Minimizing Distractions
 - Managing Screen Time
 11. Cultivating a Reading Routine Hydraulic Manual Cylinder Safety Factor
 - Setting Reading Goals Hydraulic Manual Cylinder Safety Factor
 - Carving Out Dedicated Reading Time
 12. Sourcing Reliable Information of Hydraulic Manual Cylinder Safety Factor

- Fact-Checking eBook Content of Hydraulic Manual Cylinder Safety Factor
 - Distinguishing Credible Sources
13. Promoting Lifelong Learning
- Utilizing eBooks for Skill Development
 - Exploring Educational eBooks
14. Embracing eBook Trends
- Integration of Multimedia Elements
 - Interactive and Gamified eBooks

Hydraulic Manual Cylinder Safety Factor Introduction

In today's digital age, the availability of Hydraulic Manual Cylinder Safety Factor books and manuals for download has revolutionized the way we access information. Gone are the days of physically flipping through pages and carrying heavy textbooks or manuals. With just a few clicks, we can now access a wealth of knowledge from the comfort of our own homes or on the go. This article will explore the advantages of Hydraulic Manual Cylinder Safety Factor books and manuals for download, along with some popular platforms that offer these resources. One of the significant advantages of Hydraulic Manual Cylinder Safety Factor books and manuals for download is the cost-saving aspect. Traditional books and manuals can be costly, especially if you need to purchase several of them for educational or professional purposes. By accessing Hydraulic Manual Cylinder Safety Factor versions, you eliminate the need to spend money on physical copies. This not only saves you money but also reduces the environmental impact associated with book production and transportation. Furthermore, Hydraulic Manual Cylinder Safety Factor books and manuals for download are incredibly convenient. With just a computer or smartphone and an internet connection, you can access a vast library of resources on any subject imaginable. Whether you're a student looking for textbooks, a professional seeking industry-specific manuals, or someone interested in self-improvement, these digital resources provide an efficient and accessible means of acquiring knowledge. Moreover, PDF books and manuals offer a range of benefits compared to other digital formats. PDF files are designed to retain their formatting regardless of the device used to open them. This ensures that the content appears exactly as intended by the author, with no loss of formatting or missing graphics. Additionally, PDF files can be easily annotated, bookmarked, and searched for specific terms, making them highly practical for studying or referencing. When it comes to accessing Hydraulic Manual Cylinder Safety Factor books and manuals, several platforms offer an extensive collection of resources. One such platform is Project Gutenberg, a nonprofit organization that provides over 60,000 free eBooks. These books are primarily in the public domain, meaning they can be freely distributed and downloaded. Project Gutenberg offers a wide range of classic literature, making it an excellent

resource for literature enthusiasts. Another popular platform for Hydraulic Manual Cylinder Safety Factor books and manuals is Open Library. Open Library is an initiative of the Internet Archive, a non-profit organization dedicated to digitizing cultural artifacts and making them accessible to the public. Open Library hosts millions of books, including both public domain works and contemporary titles. It also allows users to borrow digital copies of certain books for a limited period, similar to a library lending system. Additionally, many universities and educational institutions have their own digital libraries that provide free access to PDF books and manuals. These libraries often offer academic texts, research papers, and technical manuals, making them invaluable resources for students and researchers. Some notable examples include MIT OpenCourseWare, which offers free access to course materials from the Massachusetts Institute of Technology, and the Digital Public Library of America, which provides a vast collection of digitized books and historical documents. In conclusion, Hydraulic Manual Cylinder Safety Factor books and manuals for download have transformed the way we access information. They provide a cost-effective and convenient means of acquiring knowledge, offering the ability to access a vast library of resources at our fingertips. With platforms like Project Gutenberg, Open Library, and various digital libraries offered by educational institutions, we have access to an ever-expanding collection of books and manuals. Whether for educational, professional, or personal purposes, these digital resources serve as valuable tools for continuous learning and self-improvement. So why not take advantage of the vast world of Hydraulic Manual Cylinder Safety Factor books and manuals for download and embark on your journey of knowledge?

FAQs About Hydraulic Manual Cylinder Safety Factor Books

How do I know which eBook platform is the best for me? Finding the best eBook platform depends on your reading preferences and device compatibility. Research different platforms, read user reviews, and explore their features before making a choice. Are free eBooks of good quality? Yes, many reputable platforms offer high-quality free eBooks, including classics and public domain works. However, make sure to verify the source to ensure the eBook credibility. Can I read eBooks without an eReader? Absolutely! Most eBook platforms offer web-based readers or mobile apps that allow you to read eBooks on your computer, tablet, or smartphone. How do I avoid digital eye strain while reading eBooks? To prevent digital eye strain, take regular breaks, adjust the font size and background color, and ensure proper lighting while reading eBooks. What the advantage of interactive eBooks? Interactive eBooks incorporate multimedia elements, quizzes, and activities, enhancing the reader engagement and providing a more immersive learning experience. Hydraulic Manual Cylinder Safety Factor is one of the best book in our library for free trial. We provide copy of Hydraulic Manual Cylinder Safety Factor in digital format, so the resources that you find are reliable. There are also many Ebooks of related with Hydraulic Manual

Cylinder Safety Factor. Where to download Hydraulic Manual Cylinder Safety Factor online for free? Are you looking for Hydraulic Manual Cylinder Safety Factor PDF? This is definitely going to save you time and cash in something you should think about.

Find Hydraulic Manual Cylinder Safety Factor :

[manual for cobra 9830 radar detector](#)

[manual for gem equinox](#)

manual for samsung galaxy ace 2

manual for outlook 2007

[manual for mini cooper radio](#)

manual for gg2300

manual for ford 3000 radio

manual for electra glide ultra limited

manual for sullair 185 jd

[manual for polar 115 emc cutter](#)

manual for lesco 52 in walk behind

manual for mini link 2 l220

[manual for crf450x service](#)

[manual for intex easy set pool 58585](#)

manual for honda shadow sprit vt750

Hydraulic Manual Cylinder Safety Factor :

[les petites crapules clarisse caprices lady cocotte](#) - Feb 18 2022

web accueil très bon état les petites crapules clarisse caprices page précédente 1 en stock

[tony garth clarisse caprices illustrated books librairie](#) - Dec 31 2022

web find a store store hours in store events by region corporate and institutional services

les petites crapules clarisse caprices pdf amoa arthouse - Jul 26 2022

web 2 les petites crapules clarisse caprices 2022 02 17 les petites crapules clarisse caprices downloaded from amoa arthouse org by guest riya preston the proposal penguin a magnificent moving epic with a haunting secret love story at its heart which

will sweep you from present day manhattan to london in 1958 the year of the last

[les petites crapules clarisse caprices](#) - Aug 27 2022

web vous recherchez des livres les petites crapules clarisse caprices d occasion à tout petit prix vous trouverez de très belles offres sur iqoqo collection

clarisse caprices stage gapinc - Mar 22 2022

web clarisse caprices 1 clarisse caprices deux femmes contre un homme chambers s repository of instructive and amusing tracts pacific rural press le pinceau du roi new peterson magazine caprice un caprice demorests monthly magazine tales no quarter the pacific rural press and california farmer clarisse caprices le miroir de l enfance

tony garth clarisse caprices albums illustrés livres - Mar 02 2023

web clarisse caprices date de parution février 2000 Éditeur mango collection petits monstres sujet enfants 2 a 7 ans isbn 9782740409602 2740409605

clarisse wikipedia - May 24 2022

web clarisse may refer to people and characters clarisse given name eddy clarisse born 1972 a retired badminton player from mauritius clarisse percy jackson a female character in the percy jackson the olympians bookclarisse midroy 1820 1870 french actress known simply as clarisse princess clarisse a character in the castle of

les petites crapules clarisse caprices - Apr 03 2023

web 4 les petites crapules clarisse caprices 2022 02 26 indispensable french language companion fully updated to reflect recent changes in technology and clothing the french english bilingual visual dictionary also features an easy to use audio app enabling you to hear terms spoken out loud learn and retain all the key phrases you need to know

[amazon fr clarisse caprice garth tony livres](#) - Sep 08 2023

web noté 5 retrouvez clarisse caprice et des millions de livres en stock sur amazon fr achetez neuf ou d occasion

[clarisse caprice facebook](#) - Apr 22 2022

web clarisse caprice 214 likes 1 talking about this salut voila ma page officielle au nom de clarisse caprice vous pouvez toujours aller visiter mon an clarisse caprice

les petites crapules clarisse caprices rallye lecture en ligne - Aug 07 2023

web les petites crapules clarisse caprices grath tony humour album enfance les petites crapules 0 5 0 vote 4 1 5 41 votes question 1

clarisse caprice tony garth 2740409605 cultura - Sep 27 2022

web clarisse caprice par tony garth aux éditions mango

[peluche les petites crapules clarisse caprices 20 cm](#) - Jun 24 2022

web peluche les petites crapules clarisse caprices 20 cm pas cher retrouvez tous les produits disponibles à l achat sur notre site en utilisant rakuten vous acceptez l utilisation des cookies permettant de vous proposer des contenus personnalisés et *clarisse caprices haut chablais réseau des bibliothèques* - Jul 06 2023

web clarisse caprices tony garth affiner le résultat de recherche avec le type de document livre réserver mes préférés clarisse caprices enfant jeunesse rakuten - Nov 29 2022

web mar 4 2010 clarisse caprices pas cher retrouvez tous les produits disponibles à l achat dans notre catégorie enfant jeunesse

clarisse caprice broché tony garth achat livre fnac - Oct 29 2022

web clarisse caprice tony garth mango des milliers de livres avec la livraison chez vous en 1 jour ou en magasin avec 5 de réduction

les petites crapules wikipédia - Oct 09 2023

web clarisse caprice tantrum tabitha en vo c est une petite fille hystérique et capricieuse qui n est jamais contente sa grand mère conseille sa mère de ne pas faire ce que clarisse déteste habituellement prendre le bus prendre des légumes prendre un bain ainsi elle ne fait plus de crises

les petites crapules clarisse caprices pdf - May 04 2023

web les petites crapules clarisse caprices 3 3 has to hand over a precious toy or when it means agreeing to a hideous haircut or even giving up her bed at a sleepover but when noni finally finds her voice the consequences are not what she or the reader expects heather hartt sussman s story

les petites crapules clarisse caprices broché fnac - Jun 05 2023

web clarisse caprices des milliers de livres avec la livraison chez vous en 1 jour ou en magasin avec 5 de réduction clarisse caprices broché achat livre fnac

les petites crapules clarisse caprices rakuten - Feb 01 2023

web sep 25 2011 les petites crapules clarisse caprices pas cher retrouvez tous les produits disponibles à l achat dans notre catégorie enfant jeunesse

massachusettsreleasedtestsalgebra1 blog novavision - Sep 07 2022

web massachusetts mcas test prep 7th grade math weekly practice workbook volume 1 massachusetts mcas test prep algebra 1 weekly practice workbook volume 2

massachusetts released tests algebra 1 pdf uniport edu - Oct 08 2022

web jun 11 2023 massachusetts released tests algebra 1 2 12 downloaded from uniport edu ng on june 11 2023 by guest skills each quiz focuses on one specific skill

free massachusetts released tests algebra 1 - Jul 05 2022

web 1 massachusetts released tests algebra 1 sat subject test mathematics level 1 jan 14 2021 kaplan s sat subject test mathematics level 1 is the most up to date guide on

release of spring 2022 mcas test items massachusetts - Aug 18 2023

web this document displays released items from the paper based test released items from the computer based test are available on the mcas resource center website at

massachusetts released tests algebra 1 confrencemeet - Nov 28 2021

web massachusetts released tests algebra 1 singapore math practice level 5b grade 6 mcas subject test mathematics grade 3 student practice workbook two full

release of spring 2021 mcas test items massachusetts - Jul 17 2023

web 1 overview of grade 7 mathematics test the spring 2021 grade 7 mathematics test was a next generation assessment that was administered in two primary formats a computer

mcas released item documents massachusetts - Sep 19 2023

web oct 12 2023 released item documents the links below provide access to released test questions from the mcas paper based tests and released item information from the

release of spring 2021 mcas test items massachusetts - Apr 14 2023

web most of the operational items on the grade 8 mathematics test were the same regardless of whether a student took the computer based version or the paper based version in

release of spring 2023 mcas test items massachusetts - Jun 16 2023

web the grade 10 mathematics test was based on high school standards in the massachusetts curriculum framework for mathematics 2017 the standards in the 2017 framework are

massachusetts released tests algebra 1 - Dec 10 2022

web carolina eocep course standards and assessment resources star algebra 1 2011 released test questions answers bing star algebra 1 released test questions

massachusetts released tests algebra 1 2023 textra com - Aug 06 2022

web massachusetts released tests algebra 1 3 3 full mtel esol practice test math for civil service tests www mathnotion com this book is your ticket to ace the mcas

free massachusetts released tests algebra 1 - Nov 09 2022

web extra practice to succeed on the algebra test algebra 1 workbook contains many exciting and unique features to help you score higher on the algebra test including over 2 500

algebra 1 ccss curriculum map mass gov - Mar 13 2023

web mini quiz 1 4 mini quiz 1 5 test 1 2 mini quiz 1 6 3 construct viable arguments students will be able to justify each step in the equation solving process both orally mini

massachusetts released tests algebra 1 copy - Jan 11 2023

web 1 massachusetts released tests algebra 1 6 full length pssa grade 6 math practice tests nov 19 2021 prepare for the pssa grade 6 math test with a perfect practice

release of spring 2022 mcas test items massachusetts - May 15 2023

web are you preparing for the 2022 mcas grade 10 mathematics test do you want to see some real test items and their scoring guides download this pdf file and get access to

new york state testing program grade 8 mathematics test - Mar 01 2022

web new york state testing program grade 8 mathematics test new york state administered the mathematics tests in may 2021 and is now making the questions from session 1 of

2021 grade 4 mathematics released questions osa - Apr 02 2022

web new york state administered the mathematics tests in ma 2021 and is now making the uestions rom session 1 o these new york state testing program grade 4

massachusettsreleasedtestsalgebra1 2022 git livnsense - Dec 30 2021

web cracking the gre with 4 practice tests 2020 edition massachusetts mcas test prep 6th grade ela practice tests

massachusetts mcas test prep algebra 1 weekly

algebra i new york state education department - May 03 2022

web new york state next generation mathematics resources next generation algebra i reference sheet updated october 2023 algebra i educator guide updated

massachusetts released tests algebra 1 - Jan 31 2022

web april 16th 2018 massachusetts released tests algebra 1 free download pdf north carolina test algebra released released ncdpi north carolina test algebra form

2022 grade 8 mathematics released questions - Jun 04 2022

web prepare for the new york state testing program grade 8 mathematics test with this 2022 released items document it contains 30 questions that cover various topics and skills

released test questions and practice tests - Oct 20 2023

access released test questions in multiple formats 1 to access released items from the computer based tests view the released items using the epats electronic practice assessment tools at the mcas resource center a released item answer key

is provided for each epat 2 to access released items from see more

massachusetts released tests algebra 1 copy - Feb 12 2023

web 1 massachusetts released tests algebra 1 common core standards algebra i practice tests sep 15 2021 this book will help any high school student prepare for the toughest

zwischen den attentaten geschichten aus einer stadt - Oct 01 2022

web zwischen den attentaten liest sich bisweilen wie ein reiseführer adiga gibt empfehlungen welche orte der interessierte reisende in kittur aufsuchen sollte und vermittelt informationen zur verteilung der kasten und religionen in der stadt

zwischen den attentaten geschichten aus einer sta 2022 - Apr 26 2022

web zwischen den attentaten geschichten aus einer sta theatrum europaeum durchbruch der moderne theatrum europaeum oder außführliche und warhafftige beschreibung aller und jeder denckwürdiger geschichten jacobi avgvsti thvani historische beschreibung deren namhafftigsten geistlichen vnd weltlichen geschichten so sich

doku film es geschah am das attentat von zug srf - Aug 31 2022

web am 27 september 2001 läuft ein mann bewaffnet in den zuger kantonsratssaal und tötet 14 politikerinnen und politiker ein amoklauf der die schweiz veränderte die neue ausgabe von es geschah am geht der frage nach welche folgen das attentat für betroffene und angehörige von opfern 20 jahre danach hat

attentat auf hitler der 20 juli zdfmediathek - Jul 30 2022

web oct 6 2011 zdf de doku momente der geschichte attentat auf hitler der 20 juli attentat auf hitler der 20 juli mit claus schenk graf von stauffenberg planen adel wehrmacht und verwaltung ein

zwischen den attentaten geschichten aus einer sta pdf - Jan 24 2022

web zwischen den attentaten geschichten aus einer sta pdf book review unveiling the magic of language in a digital era where connections and knowledge reign supreme the enchanting power of language has be more apparent than ever its power to stir emotions provoke thought and instigate transformation is truly remarkable this extraordinary book

die tote in der zisterne mordkommission istanbul das erste - Mar 06 2023

web in der zisterne yerebatan sarayi einer touristenattraktion istanbuls wird die deutsche journalistin anja sonntag tot aufgefunden ein vager hinweis führt kommissar mehmet Özakin ins istanbuler

zwischen den attentaten geschichten aus einer sta 2022 - Dec 03 2022

web zwischen den attentaten theatrum europaeum zwischen antisemitismus und islamophobie theatri europaei zehender theil das ist glaubwürdige beschreibung denckwürdiger geschichten so sich hie und da in europa und zwar vornehmlich in dem heil röm teutschen reiche insonderheit aber auff dem allgemeinen reichs tage zu

zwischen den attentaten geschichten aus einer sta download - Jun 09 2023

web zwischen den attentaten geschichten aus einer sta attentate tatorte fotos die große bommeleeër timeline luxemburger wort english zwischen den attentaten geschichten aus einer sta 2 downloaded from smcapproved com on 2022 07 31 by guest 24 jähriger in wien margareten erstochen unbekannter täter flüchtig der
zwischen den attentaten geschichten aus einer sta full pdf - Jun 28 2022

web zwischen den attentaten geschichten aus einer sta is available in our digital library an online access to it is set as public so you can download it instantly our books collection spans in multiple countries allowing you to get the most less latency time to download any of our books like this one

zwischen den attentaten geschichten aus einer sta download - May 28 2022

web zwischen den attentaten geschichten aus einer sta 1 zwischen den attentaten geschichten aus einer sta when somebody should go to the book stores search inauguration by shop shelf by shelf it is in fact problematic 2 zwischen den attentaten geschichten aus einer sta 2022 04 15 shop a privileged schoolboy using his own

zwischen den attentaten geschichten aus einer stad by - Jul 10 2023

web aug 28 2023 kittur aravind adiga lädt in zwischen geschlossene gesellschaft archiv zwischen den attentaten geschichten aus einer stad der weiße tiger zwischen den attentaten rezensionen ch zwischen den attentaten buch versandkostenfrei bei bb812 zwischen den attentaten geschichten aus einer stad zwischen den attentaten

zwischen den attentaten geschichten aus einer stad by - Feb 05 2023

web aug 23 2023 aravind zwischen den attentaten geschichten aus einer stad stures warten auf den gott der gerechtigkeit archiv zwischen den attentaten von aravind adiga bei lovelybooks mach contra meisterwerk buchreport

zwischen den attentaten geschichten aus einer stad - Sep 12 2023

web zwischen den attentaten geschichten aus einer stad adiga aravind modick klaus isbn 9783406592706 kostenloser versand für alle bücher mit versand und verkauf duch amazon

zwischen den attentaten geschichten aus einer sta full pdf - Nov 02 2022

web der spiegel zwischen den attentaten jacobi avgvsti thvani historische beschreibung deren namhaftigsten geistlichen vnd weltlichen geschichten so sich beydes in vnd ausser dem römischen reich zu friedt vnd kriegszeiten zu wasser vnd landt in vnterschiedenen königreichen fürstenthumben graffschafften

zwischen den attentaten geschichten aus einer stad by - Feb 22 2022

web may 24 2023 den nachfolger seiner zwischen den attentaten geschichten aus einer stad aravind adiga kobo der indische booker prize träger aravind adiga erzählt in zwischen den attentaten geschichten aus einer stad der gegensätze die meisten seiner schilderungen sind desillusio nierend und zwischen den attentaten als

zwischen den attentaten geschichten aus einer stad by - Mar 26 2022

web sep 5 2023 den attentaten von aravind aravind adiga zwischen den attentaten frank rumpel zwischen den attentaten geschichten aus einer stadt zwischen den attentaten 6 audio cds de aravind adiga bol zwischen den attentaten ebook aravind adiga zwischen den attentaten aravind adiga 9783423140331 50 münchner bücherschau an die bücher

zwischen den attentaten geschichten aus einer stadt roman - Apr 07 2023

web zwischen den attentaten geschichten aus einer stadt roman by adiga aravind 1974 verfassung

zwischen den attentaten geschichten aus einer sta rotteck - May 08 2023

web zwischen den attentaten geschichten aus einer sta recognizing the quirk ways to get this books zwischen den attentaten geschichten aus einer sta is additionally useful you have remained in right site to start getting this info acquire the zwischen den attentaten geschichten aus einer sta join that we find the money for here and check

aravind adiga zwischen den attentaten geschichten aus einer - Aug 11 2023

web klappentext aus dem englischen von klaus modick als würde man an einer siebentägigen erkundung der stadt kittur und ihrer besonderheiten teilnehmen so führt aravind adiga in seinem neuen buch einem zyklus von geschichten den leser durch diese brodelnde fiktive stadt die deutlich erkennbare züge bangalores trägt

zwischen den attentaten geschichten aus einer sta sascha - Jan 04 2023

web enjoy now is zwischen den attentaten geschichten aus einer sta below geschichte der russischen revolution ludwik kulczycki 1911 inheritor c j cherrryh 1997 02 01 the third novel in cherrryh s foreigner space opera series a groundbreaking tale of first contact and its consequences six months have passed since the reappearance of the